



US00D959597S

(12) **United States Design Patent**  
**Zier et al.**

(10) **Patent No.:** **US D959,597 S**

(45) **Date of Patent:** **\*\* Aug. 2, 2022**

(54) **TRACKSIDE TANK**

D590,325 S \* 4/2009 Hall ..... D12/218  
D627,855 S \* 11/2010 Ito ..... D23/200  
D647,168 S \* 10/2011 Lerner ..... D23/202

(71) Applicant: **L.B. Foster Rail Technologies, Inc.**,  
Pittsburgh, PA (US)

(Continued)

(72) Inventors: **Shawn Zier**, Pittsburgh, PA (US);  
**Nickolas Ciesielski**, Pittsburgh, PA  
(US); **Matthew Redfield**, Pittsburgh,  
PA (US)

*Primary Examiner* — Calvin E Vansant

(74) *Attorney, Agent, or Firm* — Paul D Bangor, Jr.,  
Esquire; Clark Hill PLC

(73) Assignee: **L B Foster Rail Technologies, Inc.**,  
Pittsburgh, PA (US)

(57) **CLAIM**

We claim the ornamental design of a trackside tank, sub-  
stantially as shown and described.

(\*\*) Term: **15 Years**

**DESCRIPTION**

(21) Appl. No.: **29/662,269**

FIG. 1 is a top front right perspective view of a trackside  
tank of a first embodiment.

(22) Filed: **Sep. 4, 2018**

FIG. 2 is a top rear right perspective view of the trackside  
tank of FIG. 1.

(51) **LOC (13) Cl.** ..... **23-01**

FIG. 3 is a top rear left perspective view of the trackside  
tank of FIG. 1.

(52) **U.S. Cl.**  
USPC ..... **D23/202**

FIG. 4 is a top front left perspective view of the trackside  
tank of FIG. 1.

(58) **Field of Classification Search**  
USPC .... D23/201, 202, 206, 211.1, 223–227, 247;  
D30/121, 132; D9/436, 501; D12/218  
CPC ... A01K 7/00; F17C 2201/01; F17C 2201/03;  
F17C 2201/05; F17C 2201/033; F17C  
2201/056; F17C 2201/058; F17C  
2201/032; F17C 2201/0109; F17C  
2201/0119; F17C 2201/0147

FIG. 5 is a front side view of the trackside tank of FIG. 1.

FIG. 6 is a left side view of the trackside tank of FIG. 1.

FIG. 7 is a right side view of the trackside tank of FIG. 1.

FIG. 8 is a rear side view of the trackside tank of FIG. 1.

FIG. 9 is a top view of the trackside tank of FIG. 1.

FIG. 10 is a bottom view of the trackside tank of FIG. 1.

FIG. 11 is a front side view of the trackside tank of a second  
embodiment.

FIG. 12 is a left side view of the trackside tank of FIG. 11.

FIG. 13 is a right side view of the trackside tank of FIG. 11;

and,

FIG. 14 is a rear side view of the trackside tank of FIG. 11.

The broken lines of FIGS. 1-14 illustrate portions of the  
trackside tank that form no part of the claimed design.

The trackside tank is shown with a symbolic break in its  
length. The appearance of any portion of the article between  
the break lines forms no part of the claimed design.

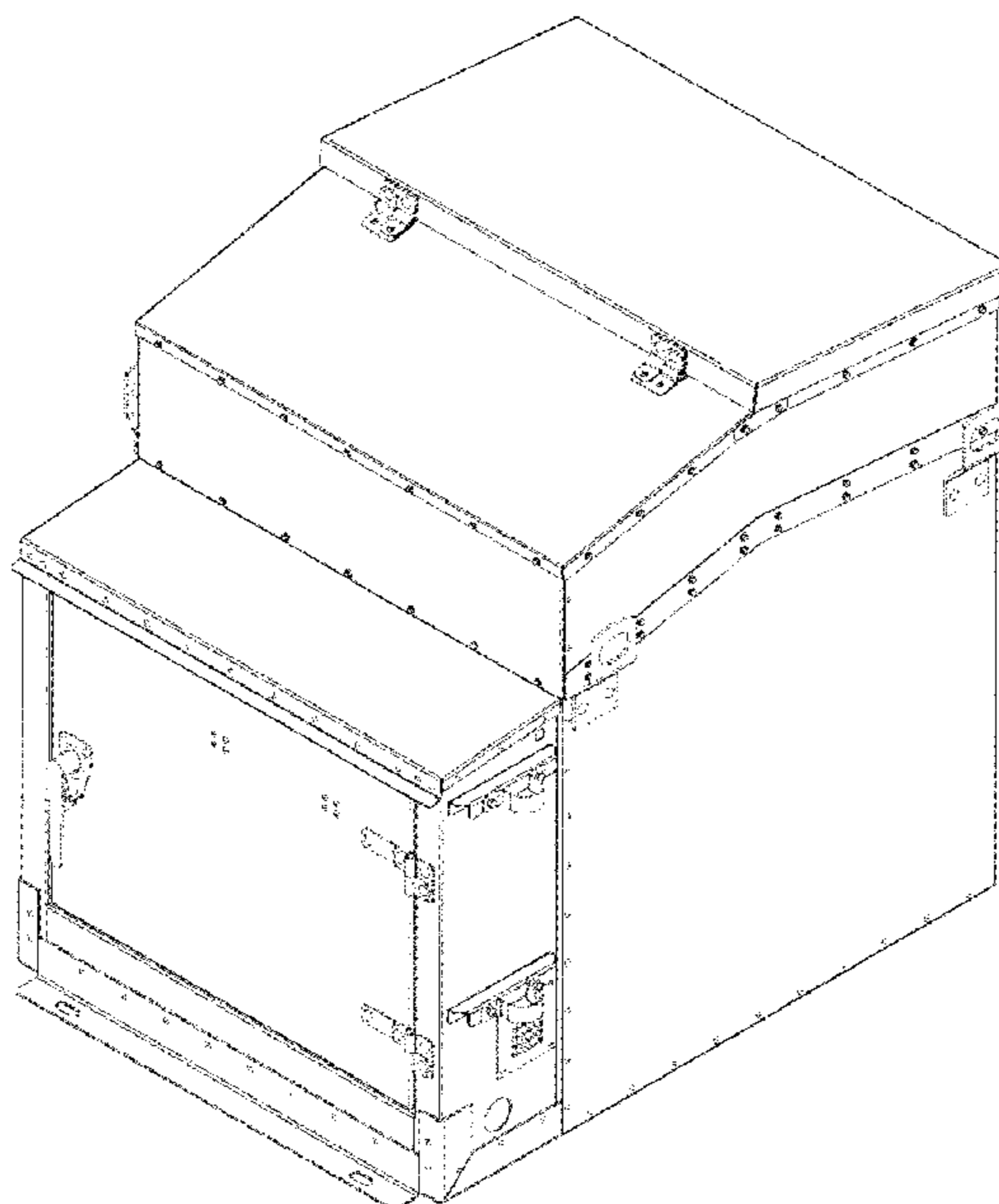
See application file for complete search history.

(56) **References Cited**

**U.S. PATENT DOCUMENTS**

D205,448 S \* 8/1966 Grove ..... D12/423  
D259,807 S \* 7/1981 Koga ..... D23/202  
D457,935 S \* 5/2002 Ariaz ..... D23/200  
D526,045 S \* 8/2006 Gundersen ..... D23/225

**1 Claim, 14 Drawing Sheets**



(56)

**References Cited**

U.S. PATENT DOCUMENTS

D688,351 S *	8/2013	Oren .....	B65D 88/00 D23/202
D701,814 S *	4/2014	Merchant .....	D12/218
D762,016 S *	7/2016	Yates .....	D30/121
RE46,531 E *	9/2017	Oren .....	D23/202
D838,229 S *	1/2019	Goodier .....	D12/218
D852,430 S *	6/2019	Roger .....	D30/114

\* cited by examiner

Figure 1

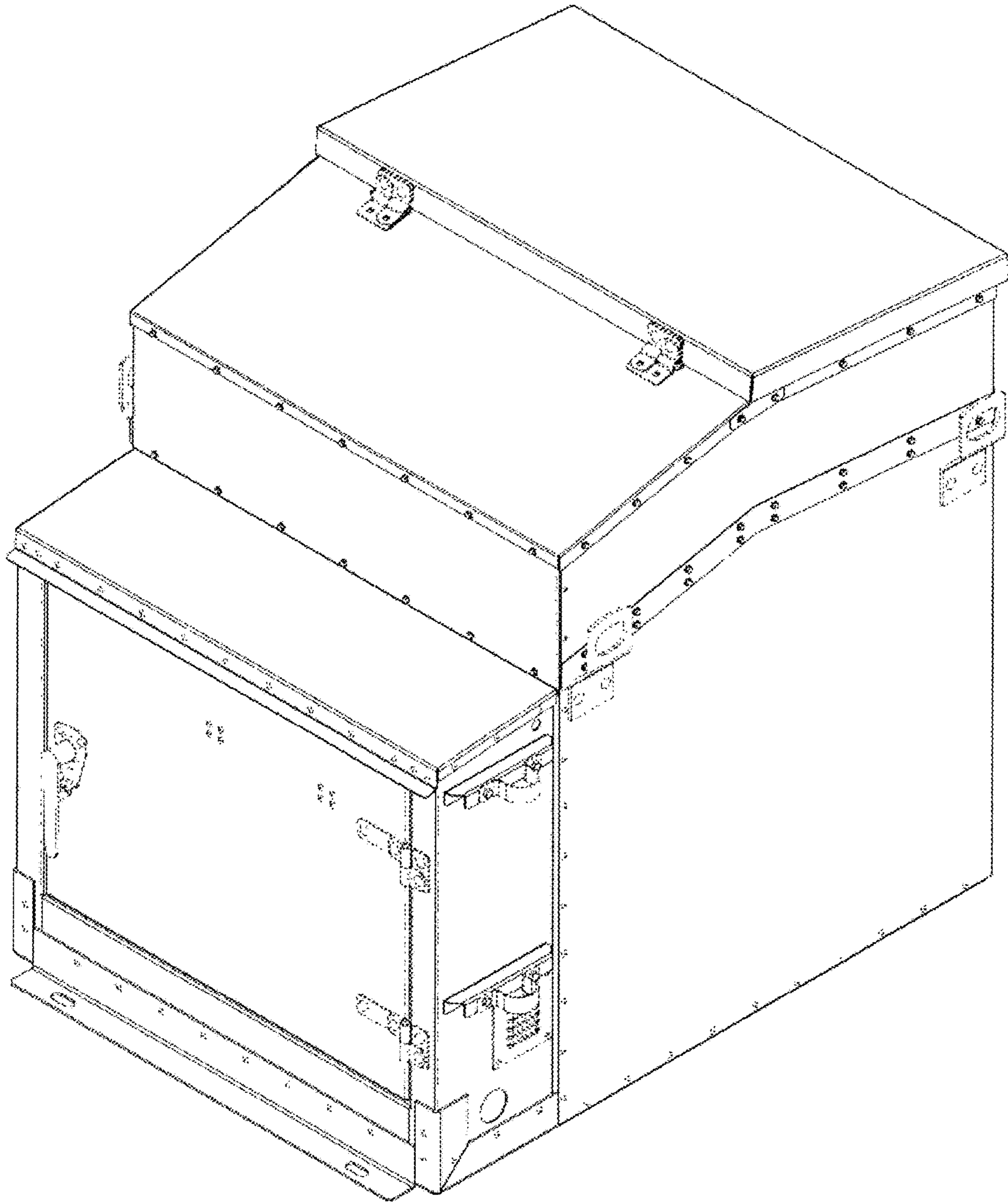


Figure 2

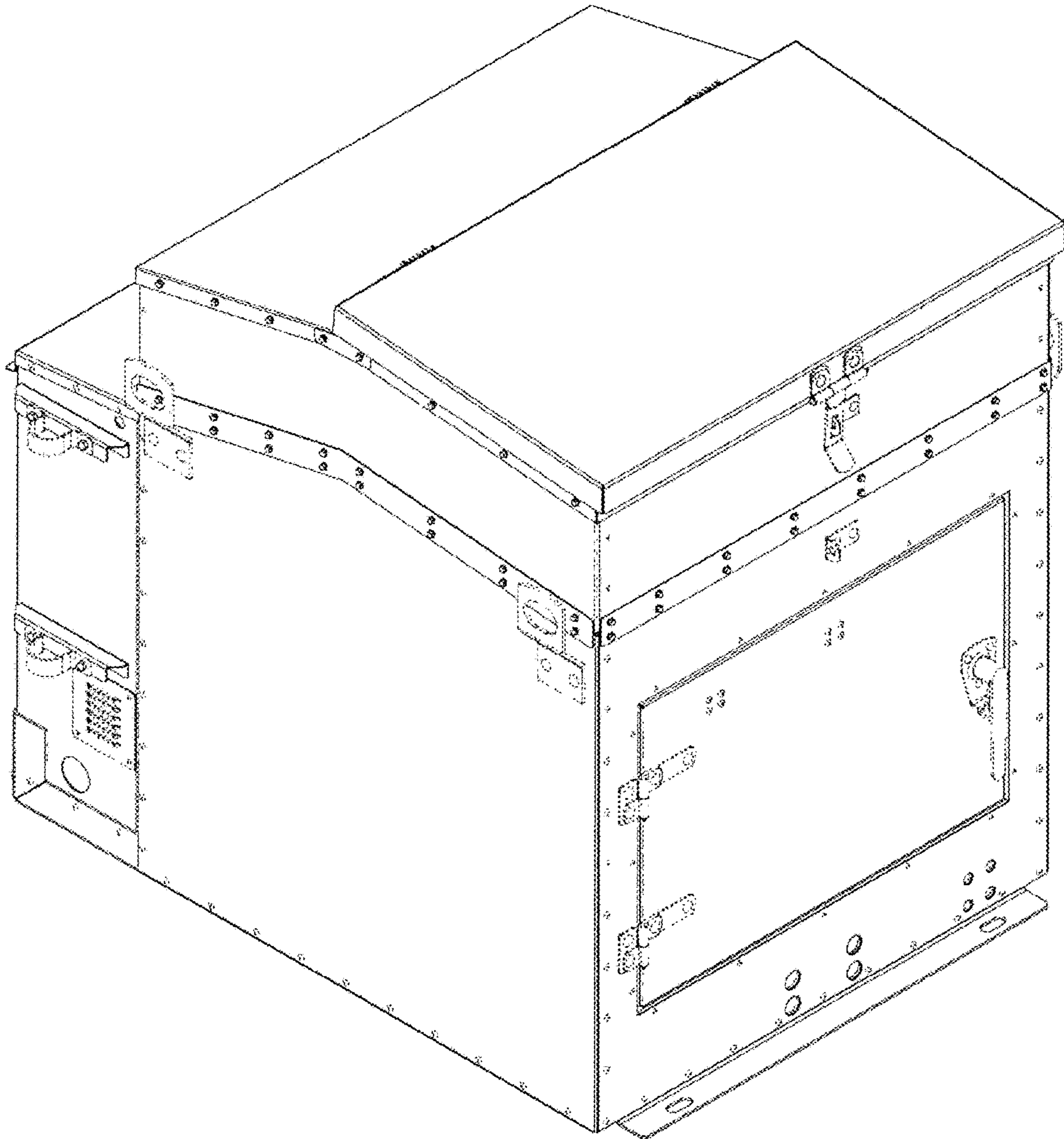




Figure 3

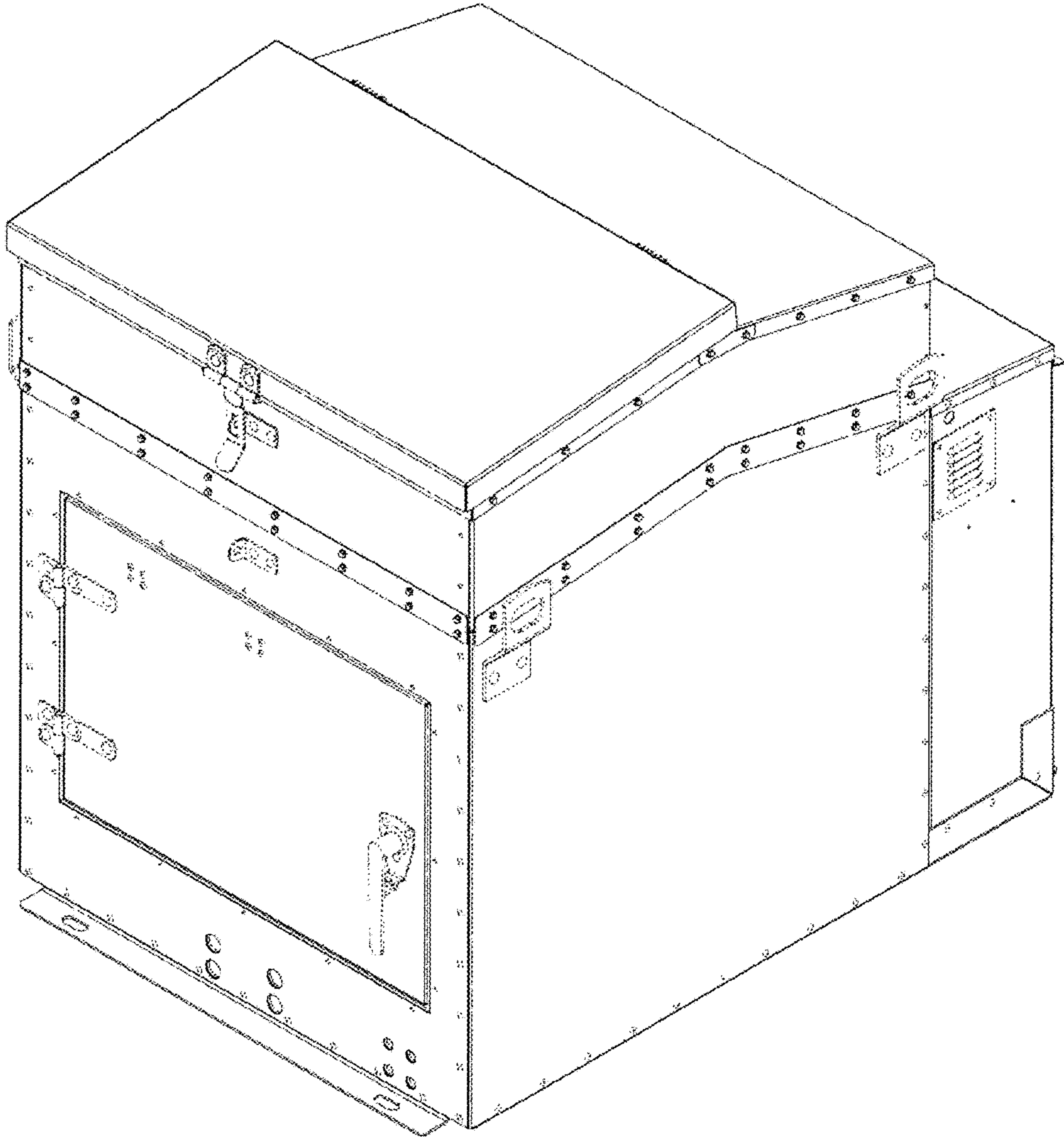


Figure 4

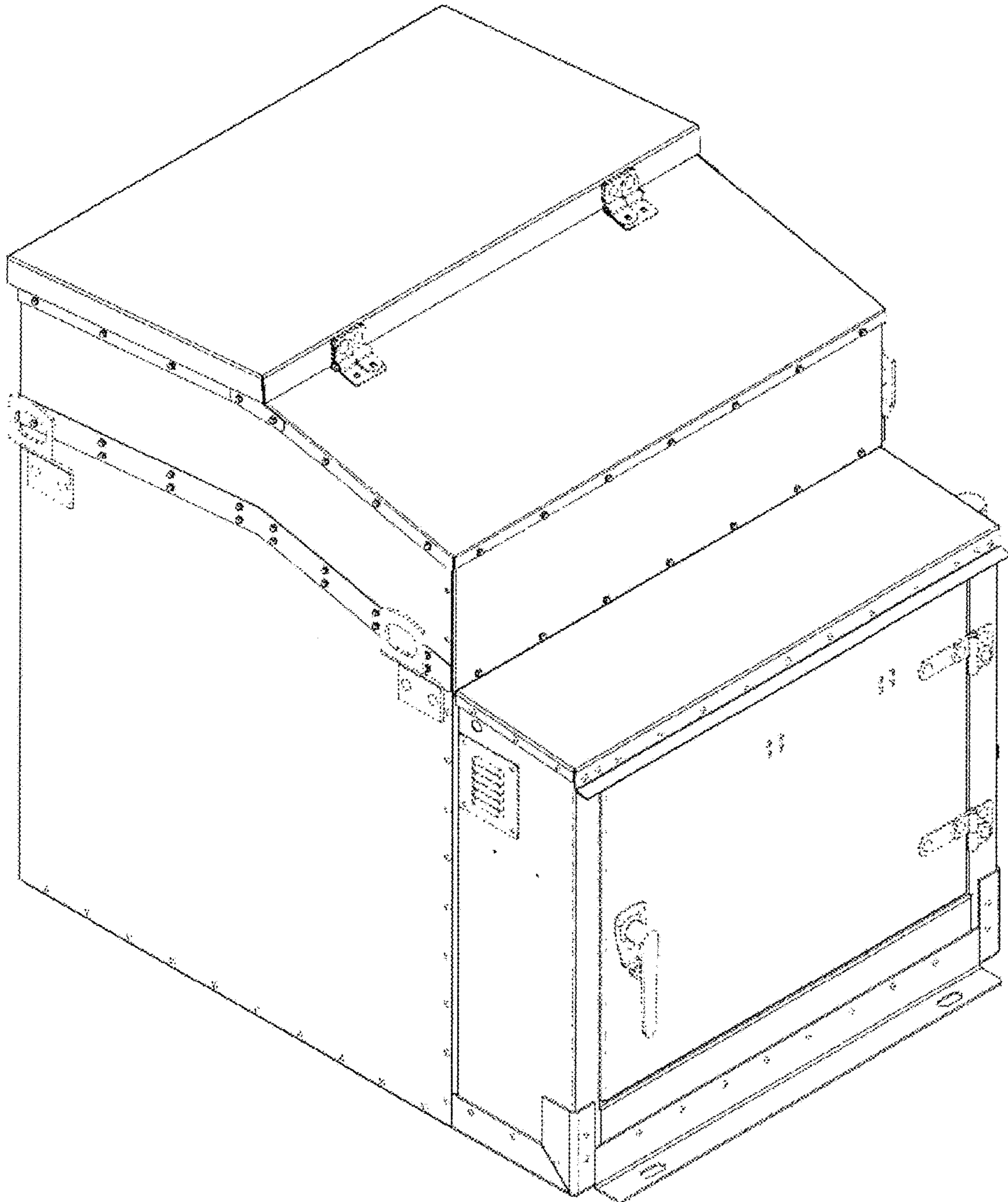


Figure 5

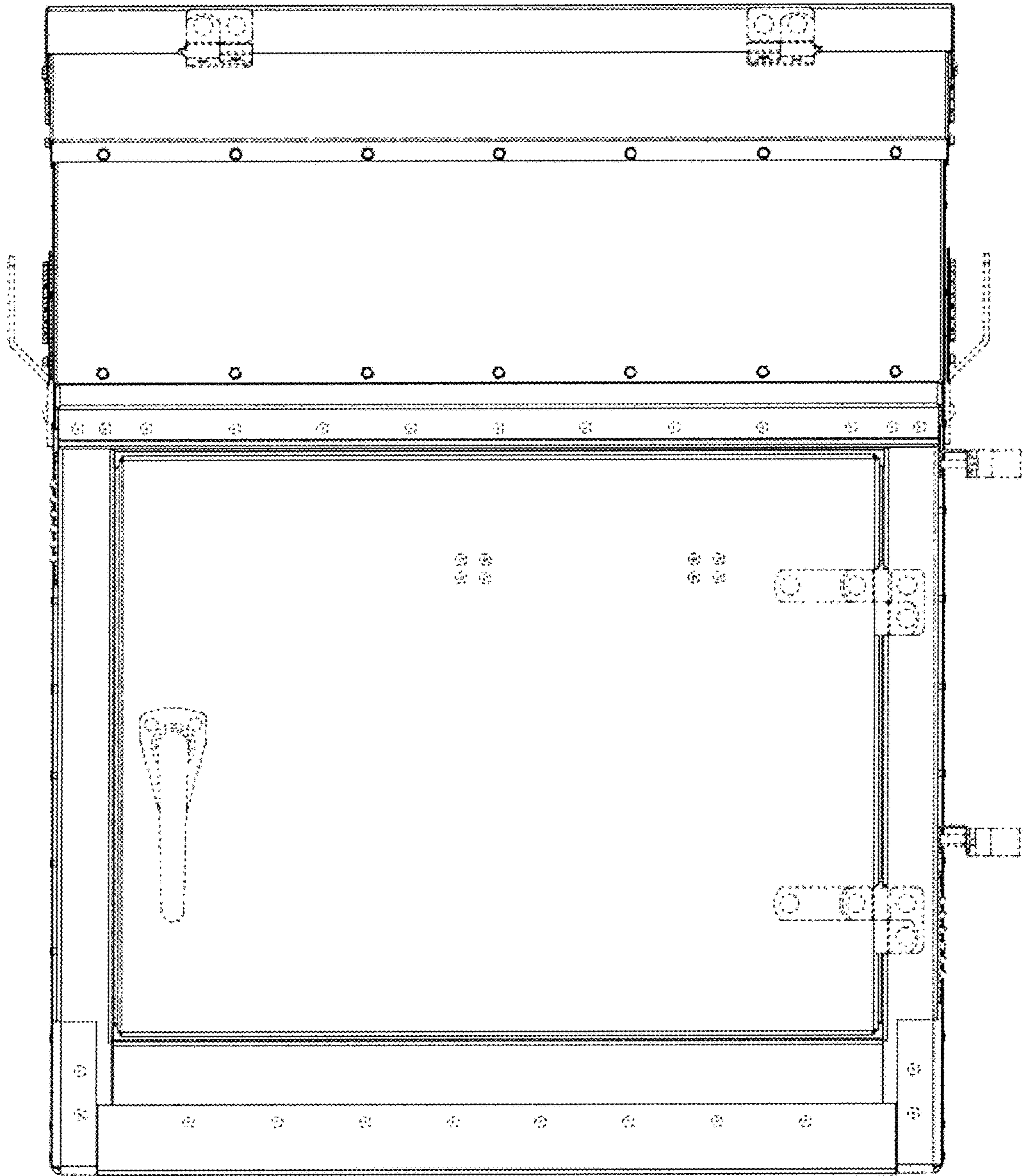


Figure 6

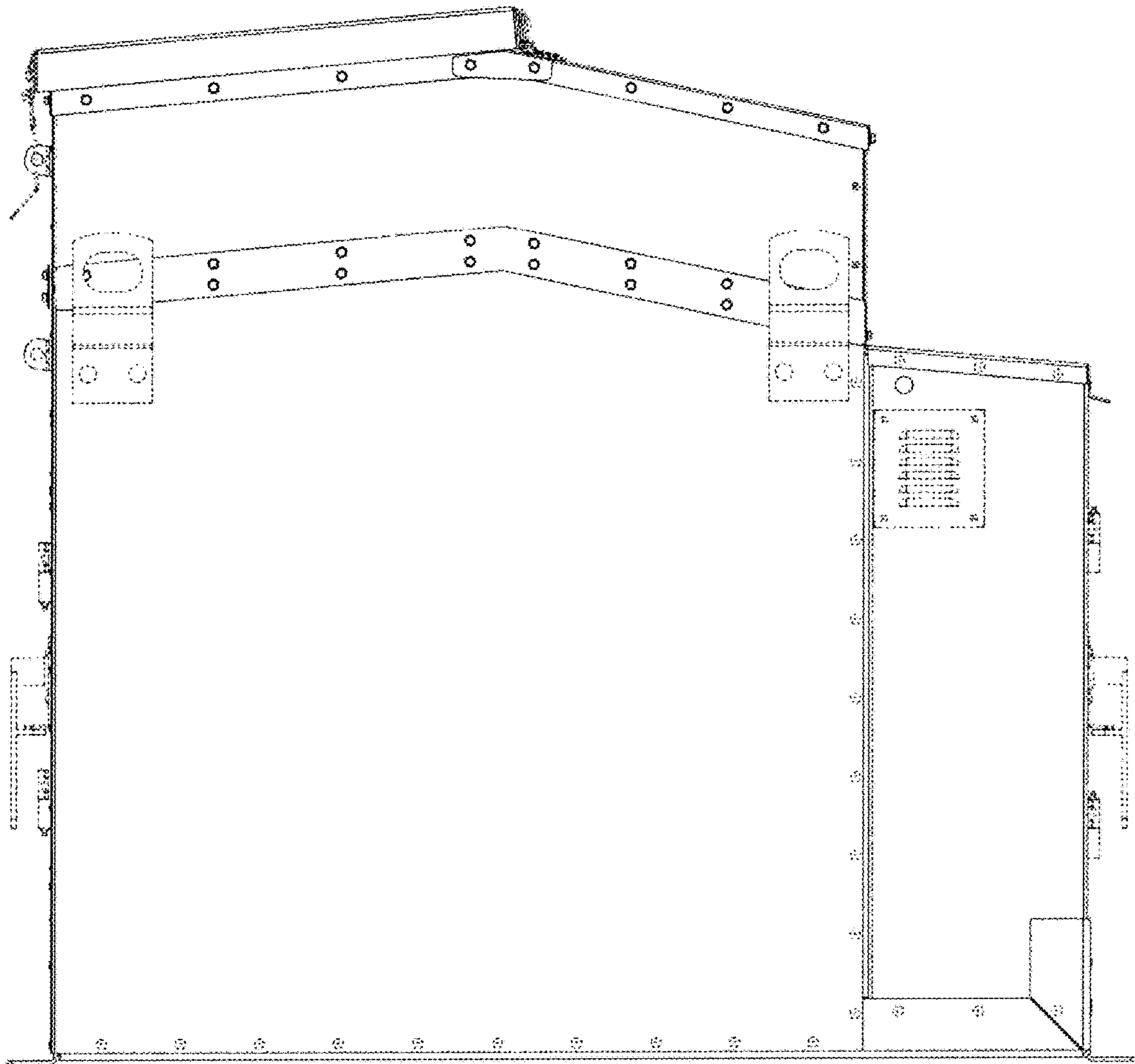




Figure 7

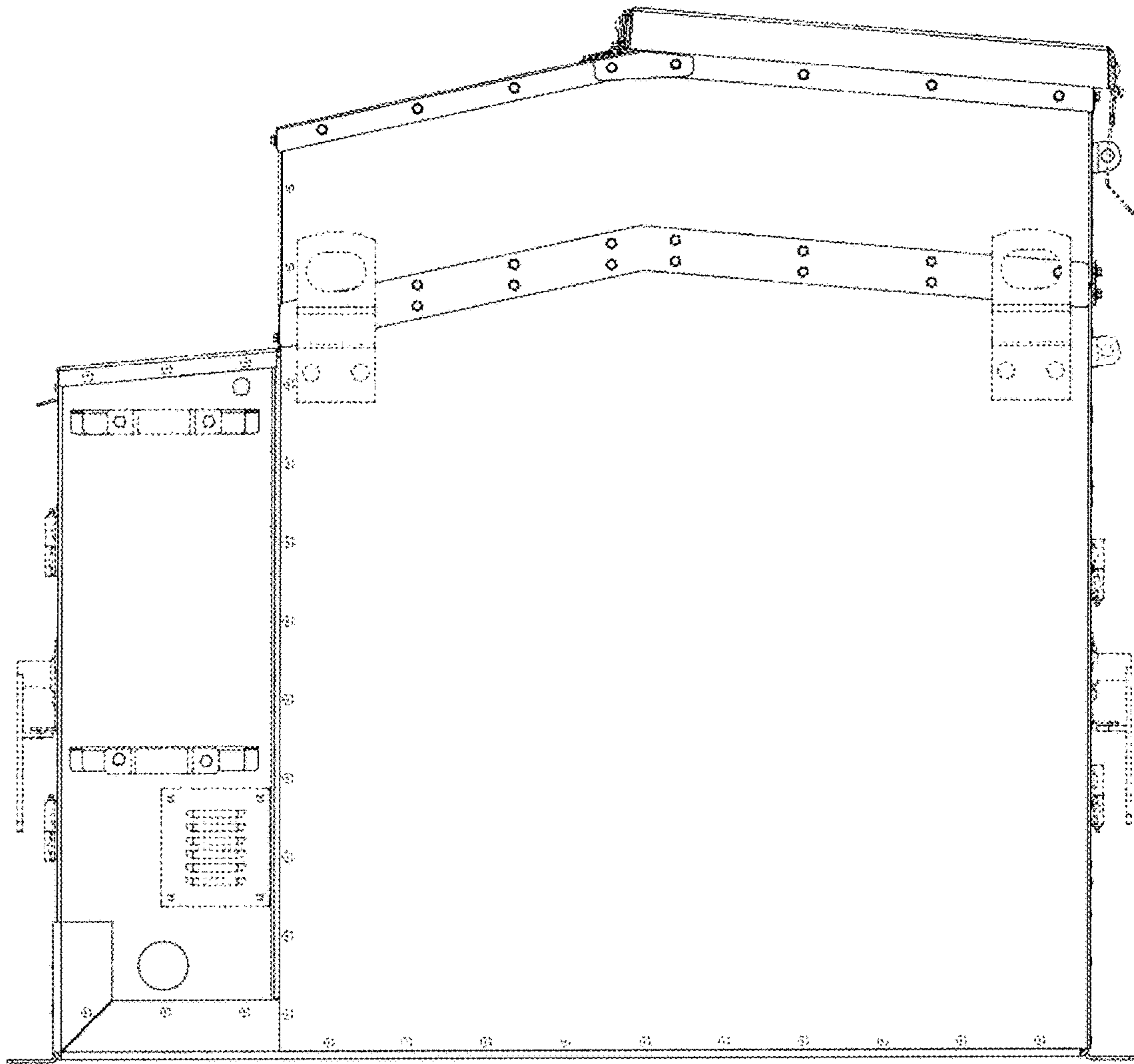


Figure 8

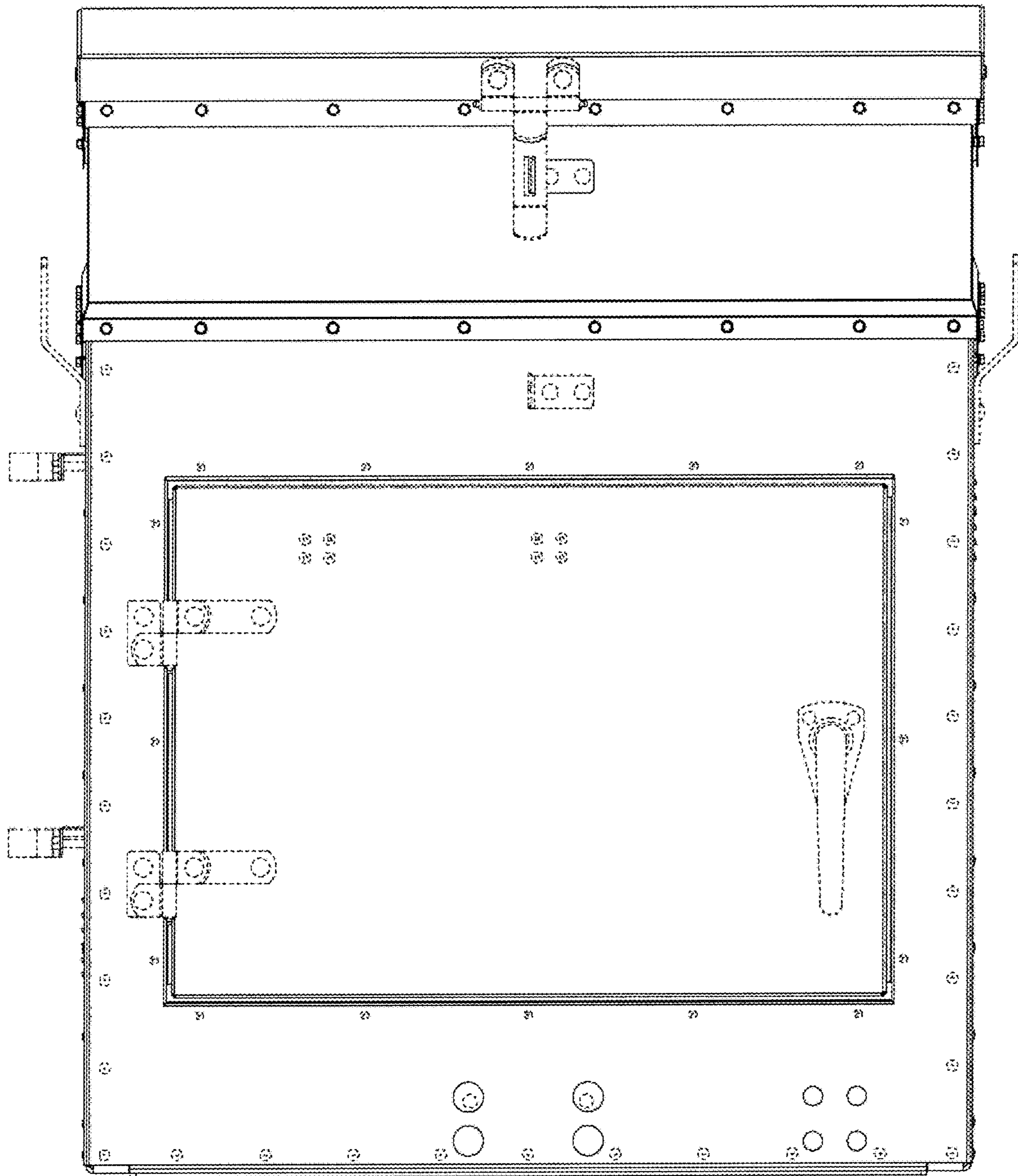


Figure 9

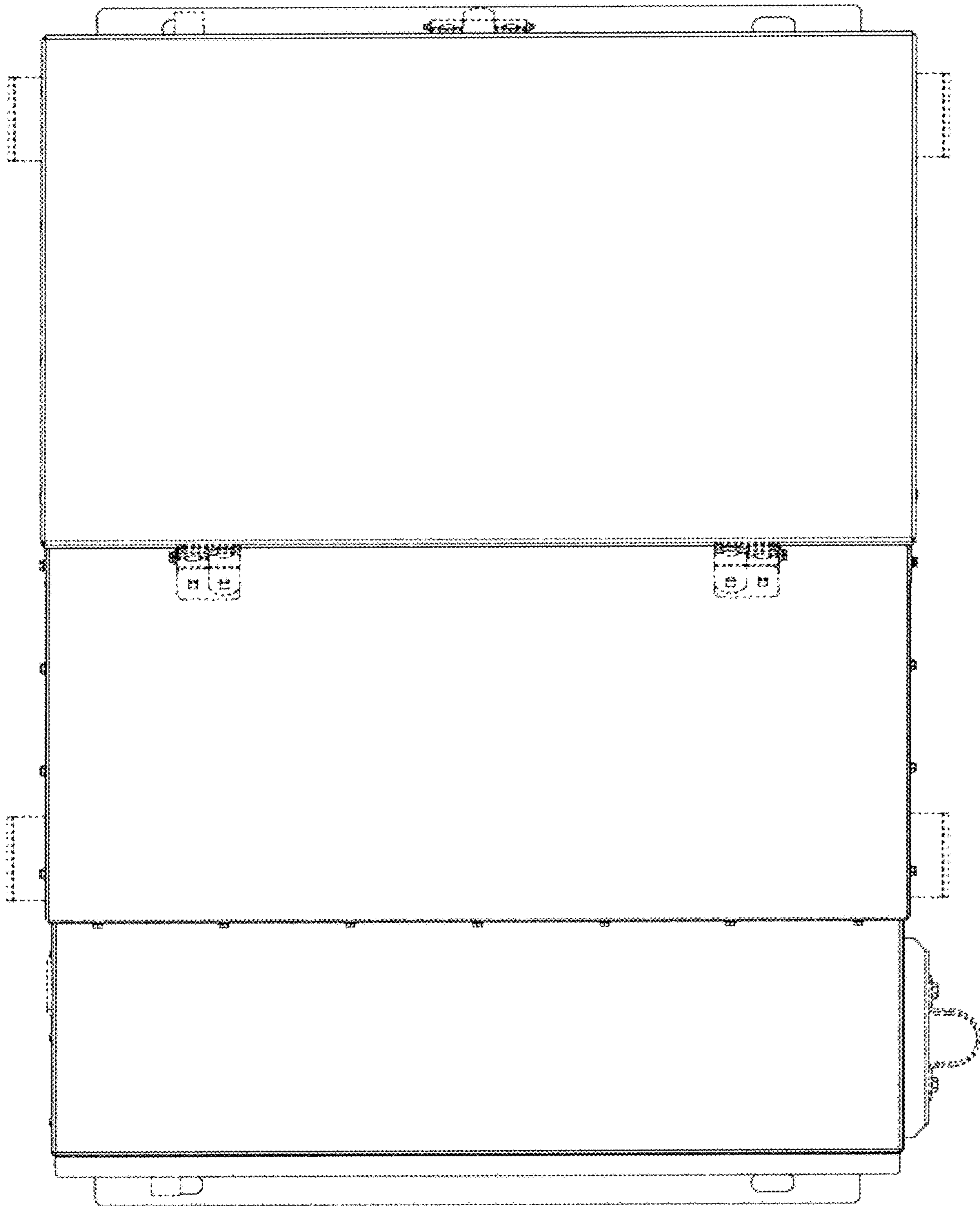


Figure 10

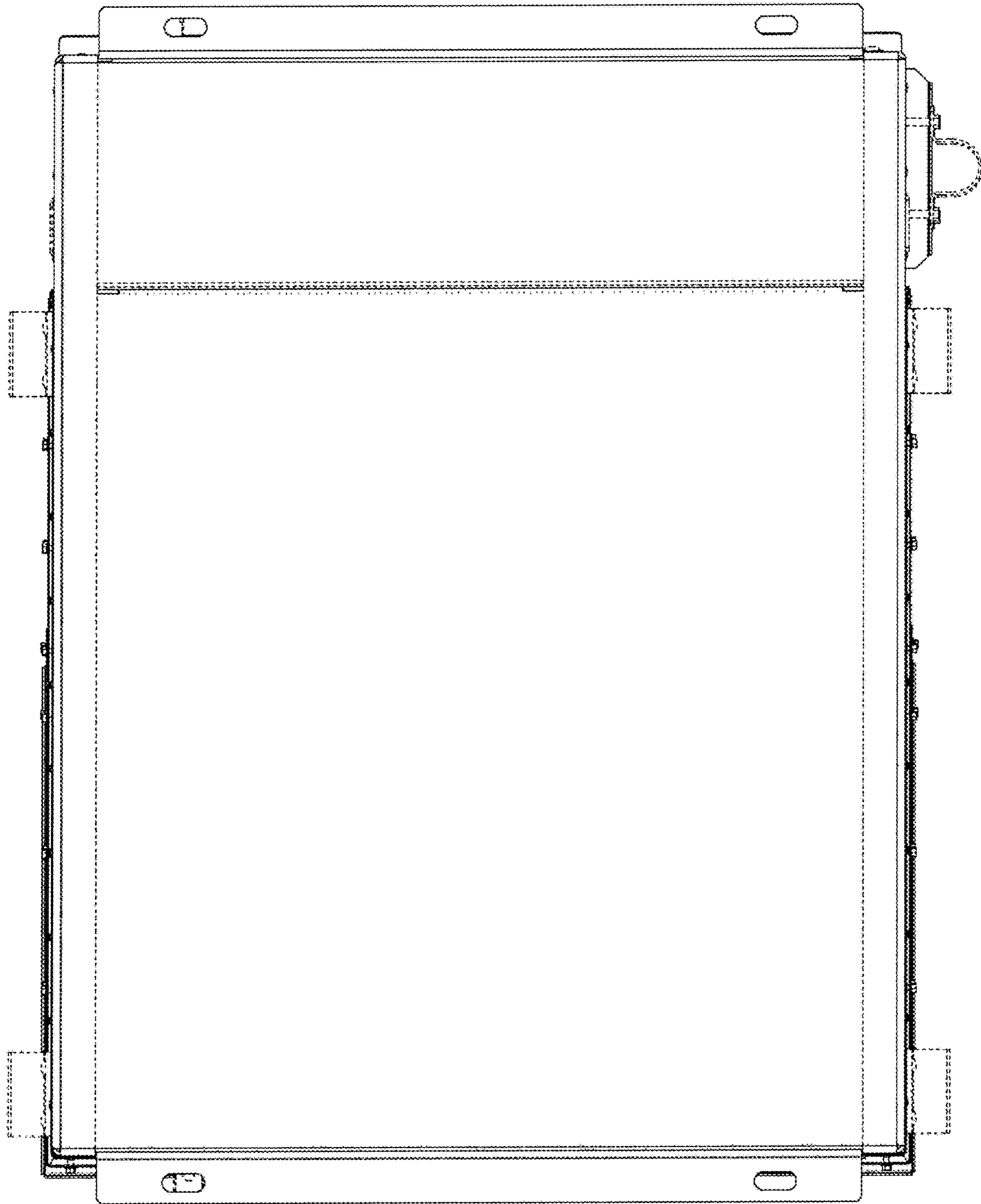




Figure 11

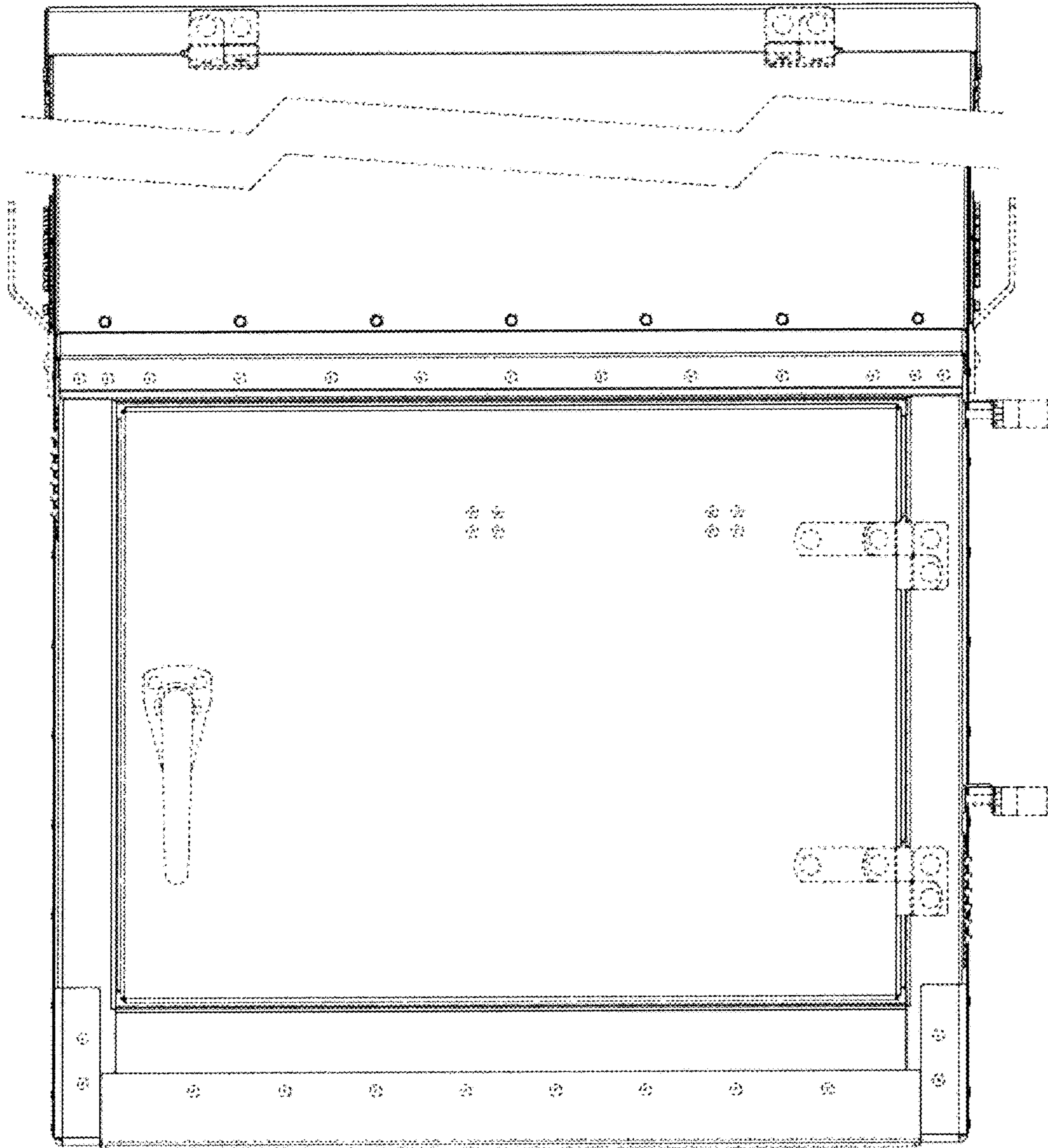


Figure 12

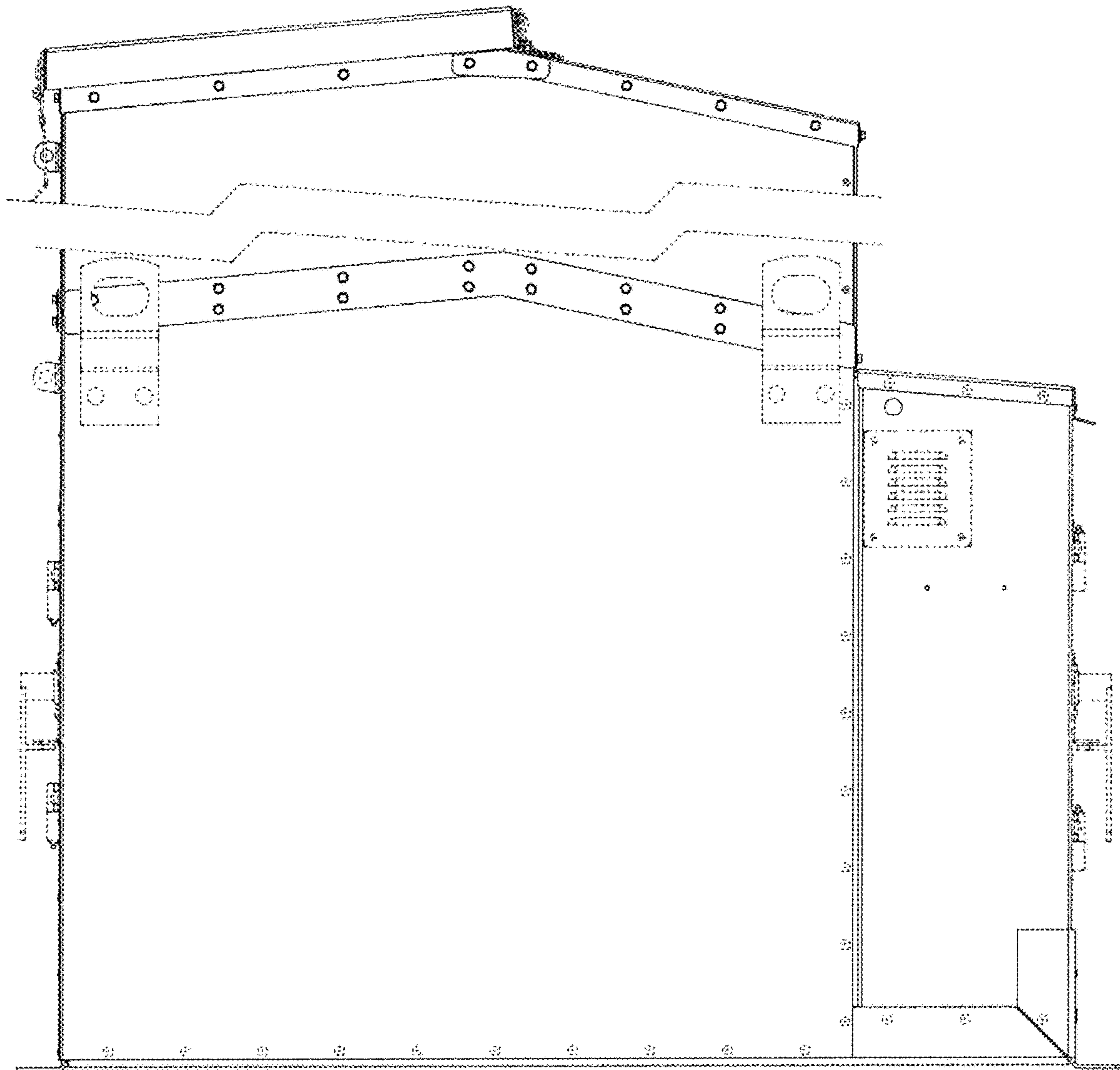


Figure 13

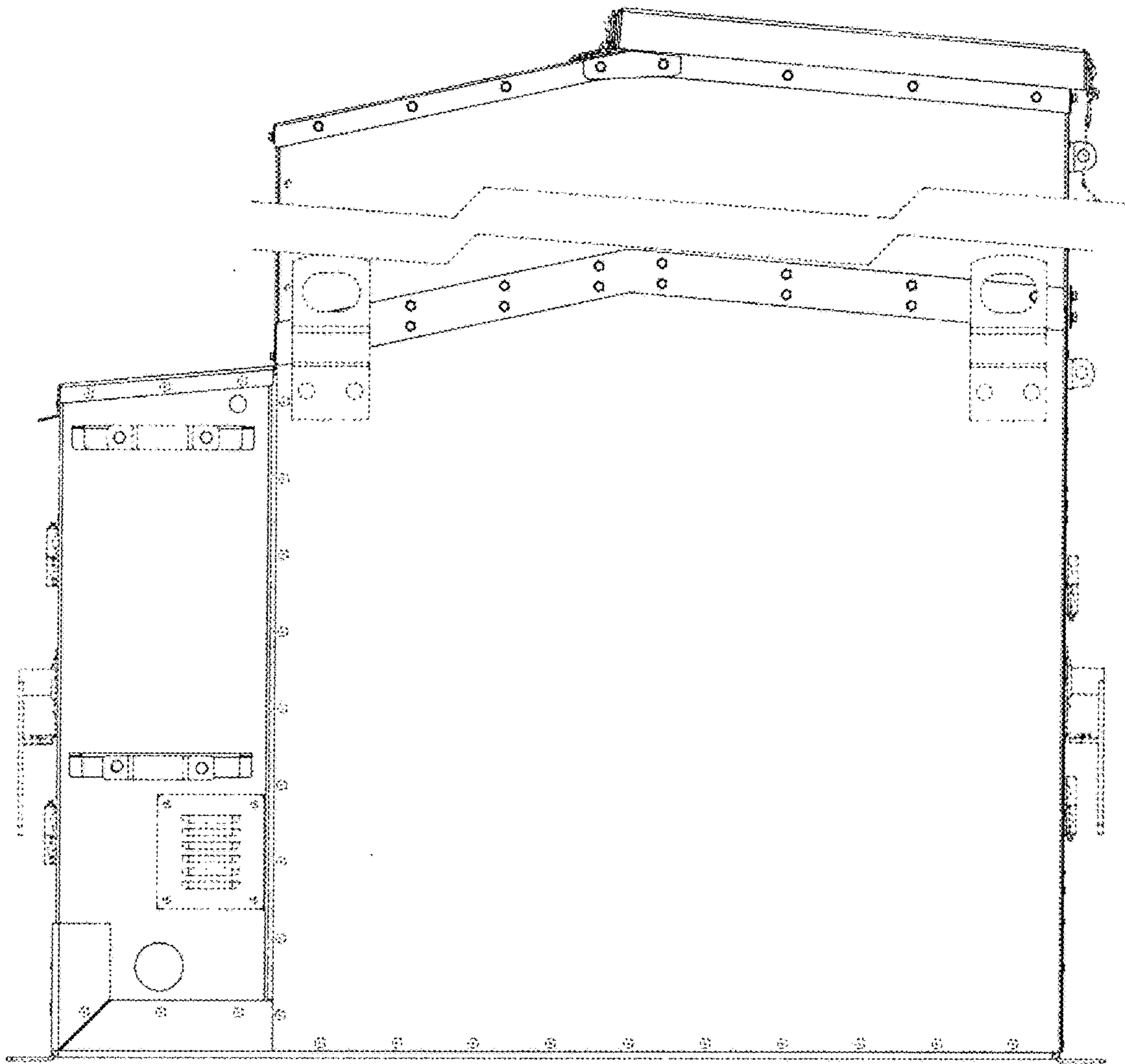


Figure 14

