



US00D959596S

(12) **United States Design Patent**  
**Zhang**

(10) **Patent No.:** **US D959,596 S**

(45) **Date of Patent:** **\*\* Aug. 2, 2022**

(54) **FISHING ROD**

(71) Applicant: **Ruichang Ronggui Trading Co., Ltd.,**  
Jiangxi (CN)

(72) Inventor: **Qinrong Zhang,** Jiangxi (CN)

(73) Assignee: **Ruichang Ronggui Trading Co., Ltd.,**  
Jiujiang (CN)

(\*\*) Term: **15 Years**

(21) Appl. No.: **29/799,061**

(22) Filed: **Jul. 12, 2021**

(51) **LOC (13) Cl.** ..... **22-05**

(52) **U.S. Cl.**  
USPC ..... **D22/142**

(58) **Field of Classification Search**  
USPC ..... D22/137, 142  
CPC ..... A01K 87/06; A01K 87/00; A01K 91/08;  
A01K 87/04; A01K 87/08; A01K 87/025;  
A01K 87/02  
See application file for complete search history.

(56) **References Cited**

**U.S. PATENT DOCUMENTS**

D153,223 S \* 3/1949 Maher ..... D22/142  
6,378,238 B1 \* 4/2002 Lu ..... A01K 87/06  
43/18.1 R

D518,868 S 4/2006 von Mohr  
D590,911 S 4/2009 Von Mohr  
D607,531 S \* 1/2010 Chen ..... D22/137  
D750,195 S \* 2/2016 Leffler ..... D22/137  
D871,542 S \* 12/2019 Barrett ..... D22/142  
D883,425 S \* 5/2020 Wang ..... D22/137  
2014/0360085 A1 \* 12/2014 Stender ..... A01K 87/025  
43/18.1 CT  
2020/0352149 A1 \* 11/2020 Iwata ..... A01K 87/08  
2021/0022329 A1 \* 1/2021 Shedd ..... A01K 87/02

\* cited by examiner

*Primary Examiner* — Catherine R Oliver-Garcia

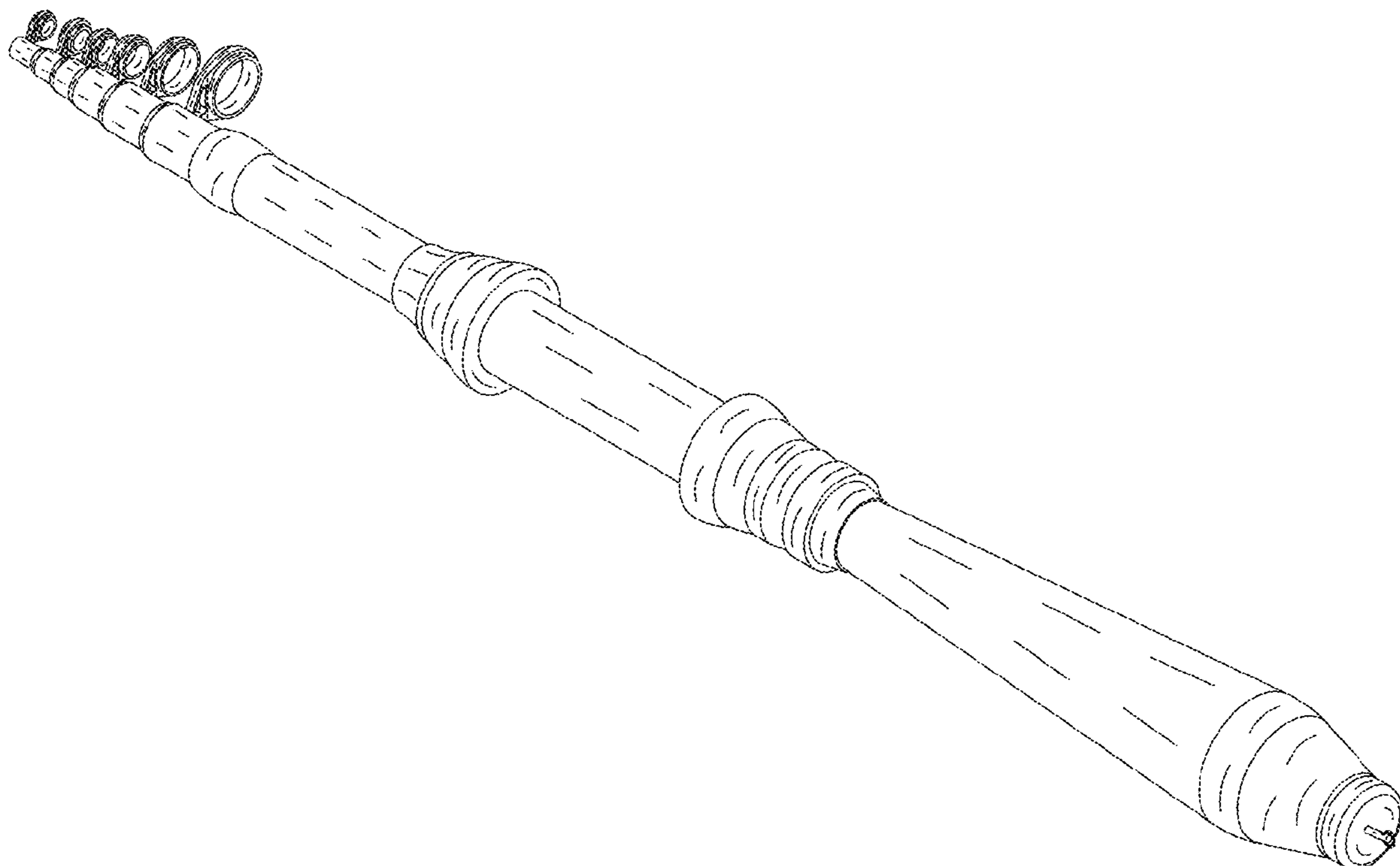
(57) **CLAIM**

The ornamental design for a fishing rod, as shown and described.

**DESCRIPTION**

FIG. 1 is a perspective view of a fishing rod showing my new design;  
FIG. 2 is an alternative perspective view thereof;  
FIG. 3 is a front view thereof;  
FIG. 4 is a back view thereof;  
FIG. 5 is a top view thereof;  
FIG. 6 is a bottom view thereof;  
FIG. 7 is a right side view thereof; and,  
FIG. 8 is a left side view thereof.

**1 Claim, 8 Drawing Sheets**



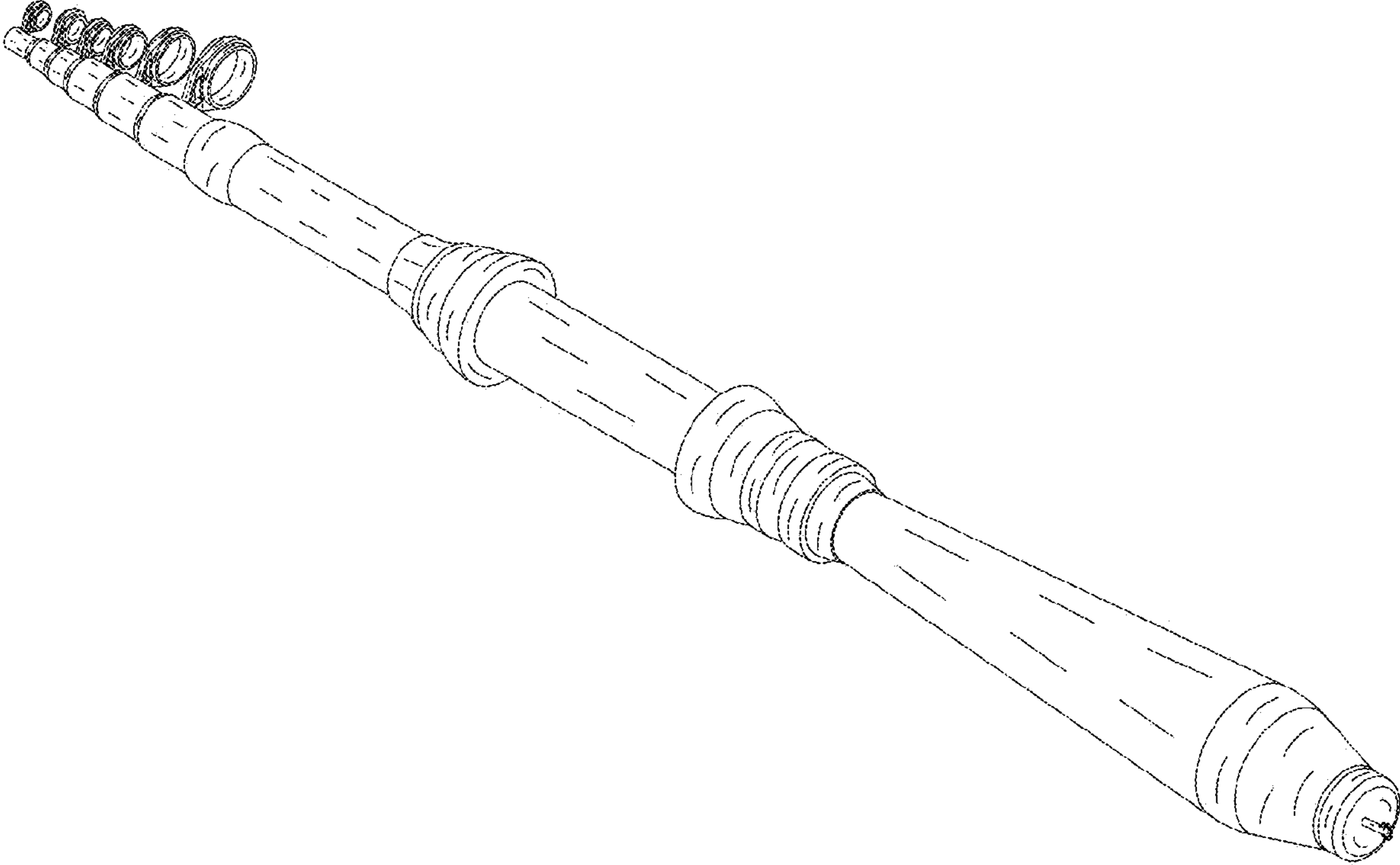


FIG. 1

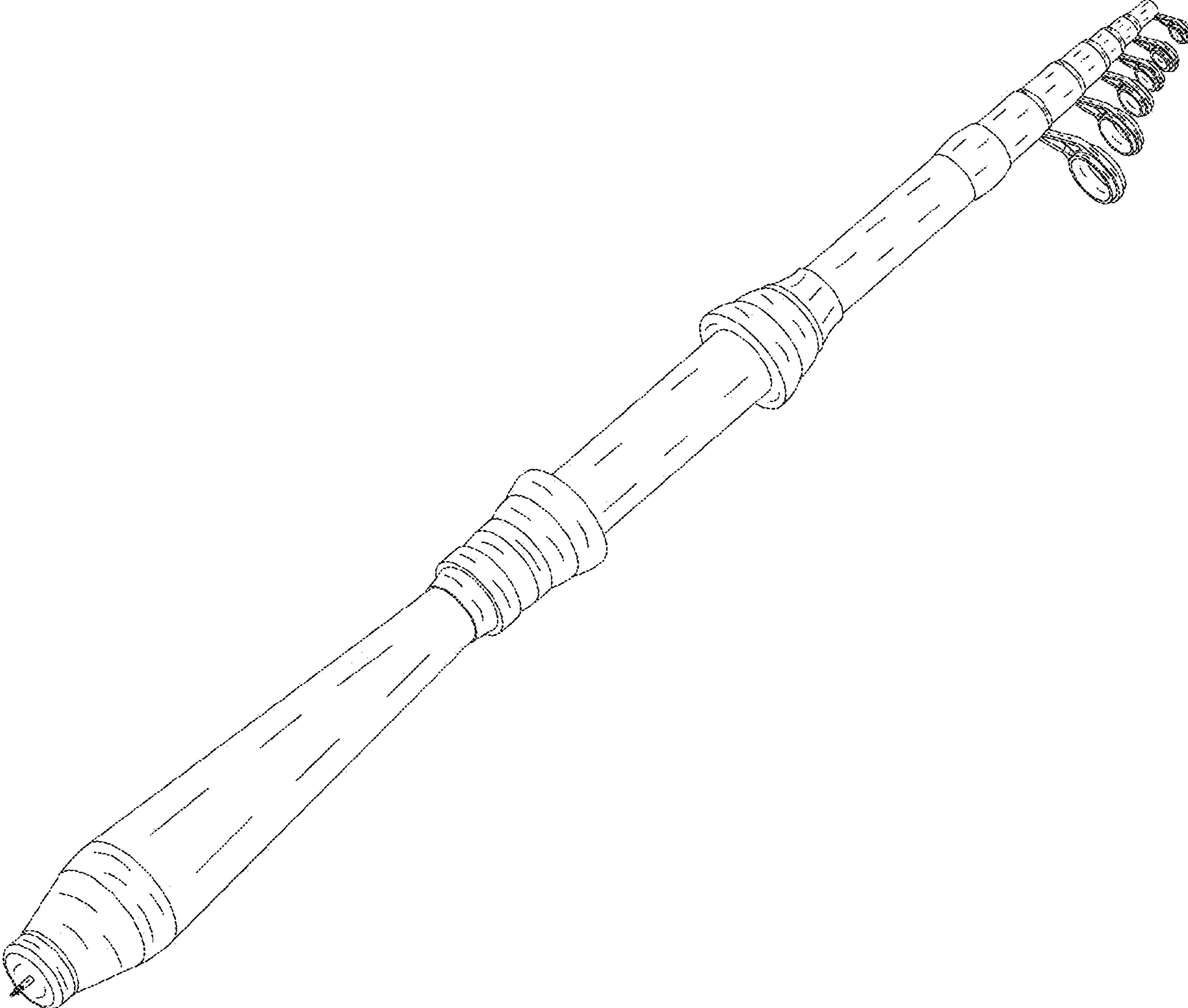


FIG. 2

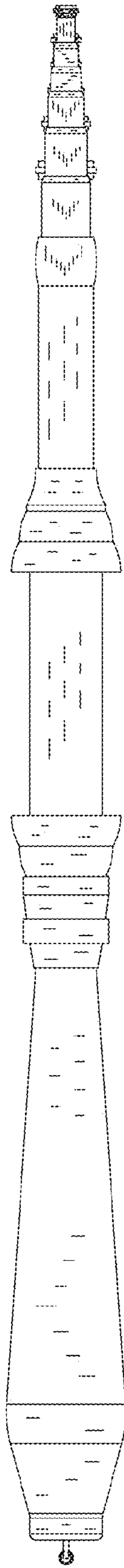


FIG. 3

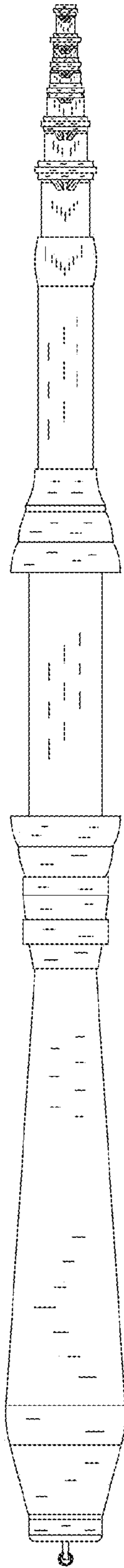


FIG. 4

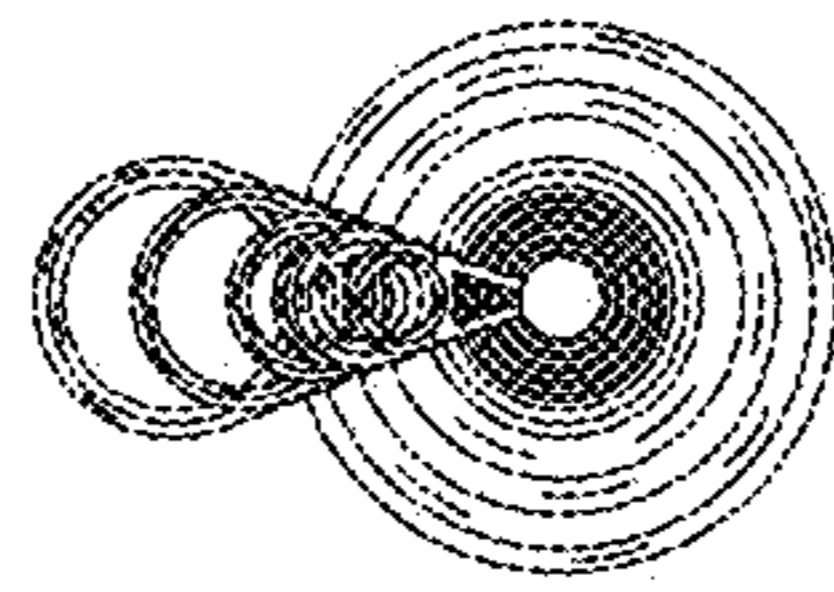


FIG.5

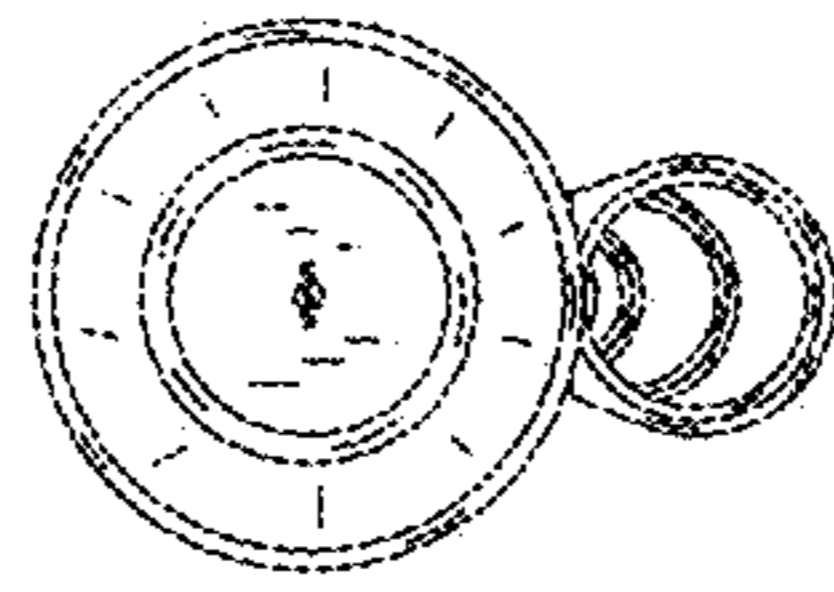


FIG.6

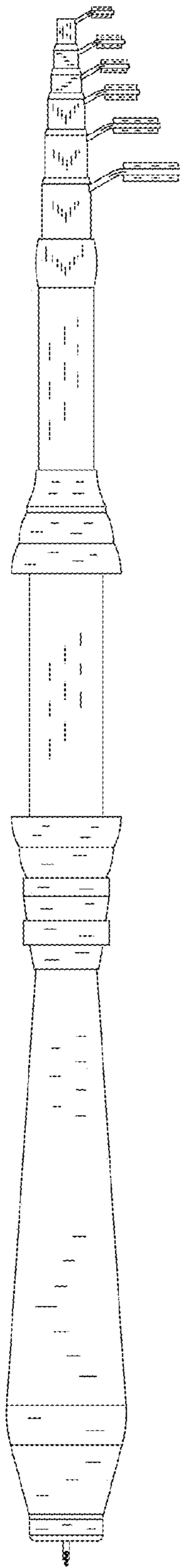


FIG. 7



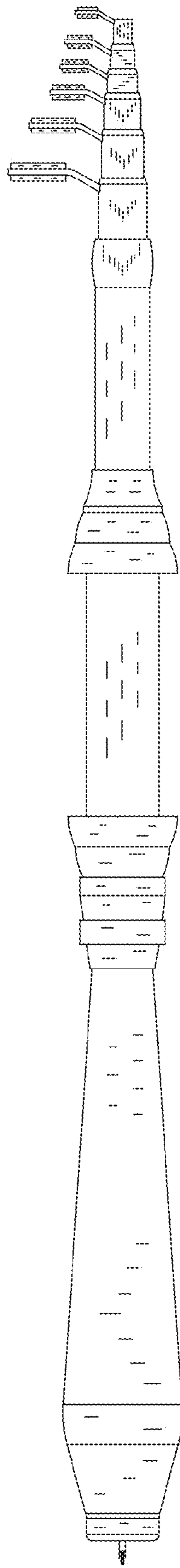


FIG. 8