



US00D959594S

(12) **United States Design Patent** (10) **Patent No.:** **US D959,594 S**  
**Reckhaus** (45) **Date of Patent:** **\*\* Aug. 2, 2022**

(54) **INSECT TRAP** D645,535 S \* 9/2011 Schneidmiller ..... D22/122  
D675,282 S \* 1/2013 Frisch ..... D22/122  
D887,524 S \* 6/2020 Lou ..... D22/123  
(71) Applicant: **Reckhaus AG**, Teufen (CH) 2009/0151227 A1 \* 6/2009 Schneidmiller ..... A01M 1/106  
43/107  
(72) Inventor: **Hans-Dietrich Reckhaus**, Teufen (CH) 2011/0067293 A1 \* 3/2011 Schneidmiller ..... A01M 1/106  
43/107  
(73) Assignee: **Reckhaus AG** 2014/0311015 A1 \* 10/2014 Oehlschlager ..... A01M 1/023  
43/107  
(\*\*) Term: **15 Years** 2019/0216075 A1 \* 7/2019 McGavin ..... A01M 1/023

(21) Appl. No.: **29/756,858**

(22) Filed: **Oct. 30, 2020**

(30) **Foreign Application Priority Data**

Aug. 12, 2020 (EM) ..... 008105258-0002

(51) **LOC (13) Cl.** ..... **22-06**

(52) **U.S. Cl.**  
USPC ..... **D22/122**

(58) **Field of Classification Search**  
USPC ..... D22/122-123  
CPC ..... A01M 1/04; A01M 1/10; A01M 1/106;  
A01M 1/023; A01M 2200/012  
See application file for complete search history.

(56) **References Cited**

**U.S. PATENT DOCUMENTS**

4,030,233 A \* 6/1977 Wunsche ..... A01M 1/103  
43/121  
4,452,006 A \* 6/1984 Steck ..... A01M 1/106  
43/107  
D285,179 S \* 8/1986 Browne ..... D9/435  
D367,311 S \* 2/1996 Donahue ..... D22/122  
D415,548 S \* 10/1999 Nunes ..... D22/122  
D561,297 S \* 2/2008 Schneidmiller ..... D22/122  
D590,041 S \* 4/2009 Schneidmiller ..... D22/122

**FOREIGN PATENT DOCUMENTS**

DE 202020002111 U1 \* 8/2020 ..... A01M 1/02  
WO WO 2010077370 A1 \* 7/2010 ..... A01M 1/02

\* cited by examiner

*Primary Examiner* — Catherine R Oliver-Garcia  
(74) *Attorney, Agent, or Firm* — Dorsey & Whitney LLP

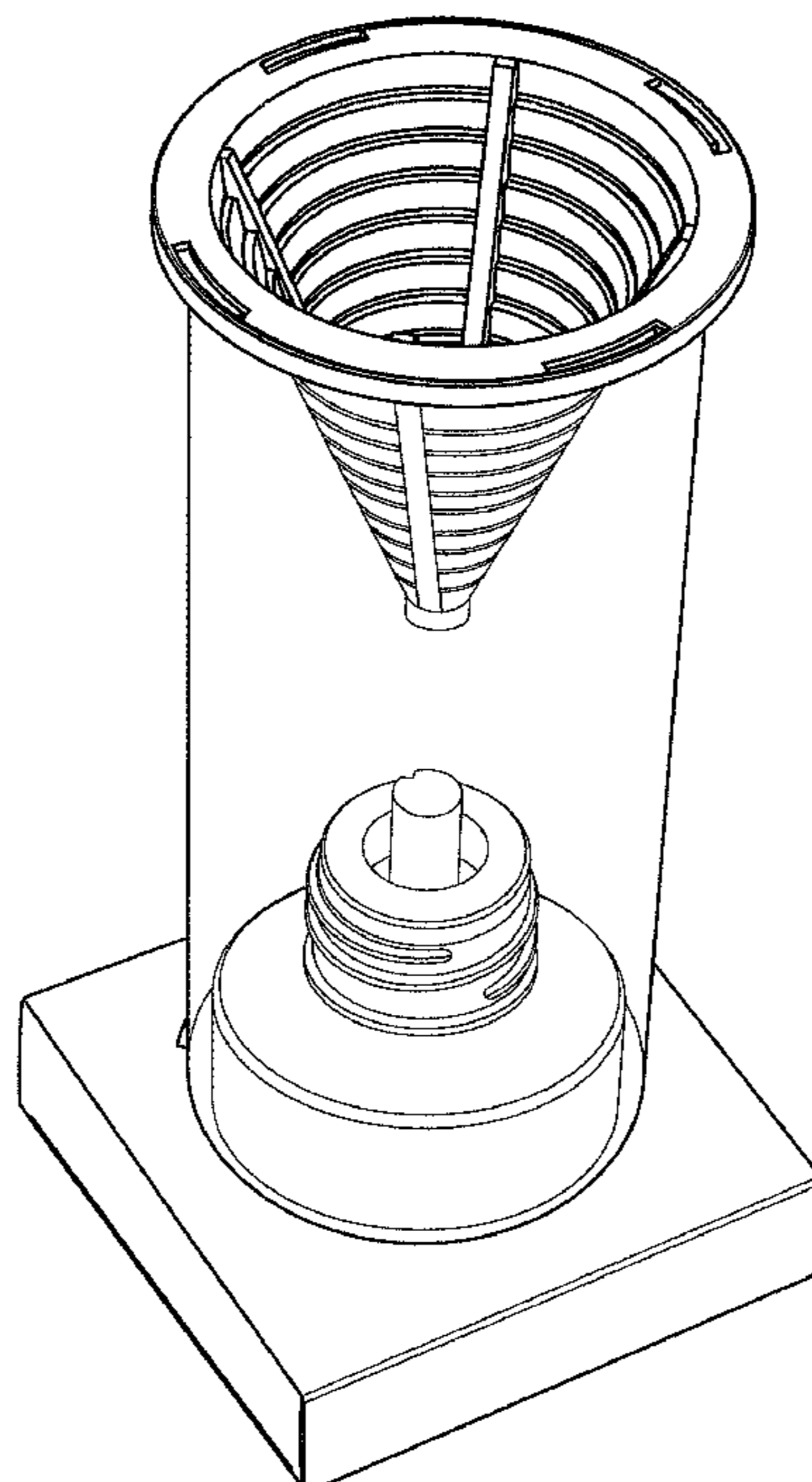
(57) **CLAIM**

The ornamental design for an insect trap, as shown and described.

**DESCRIPTION**

FIG. 1 is a top and front perspective view of an insect trap.  
FIG. 2 is a rear perspective view thereof.  
FIG. 3 is a front view thereof.  
FIG. 4 is a rear view thereof.  
FIG. 5 is a left side view thereof.  
FIG. 6 is a right side view thereof.  
FIG. 7 is a top view thereof; and,  
FIG. 8 is a bottom view thereof.

**1 Claim, 8 Drawing Sheets**



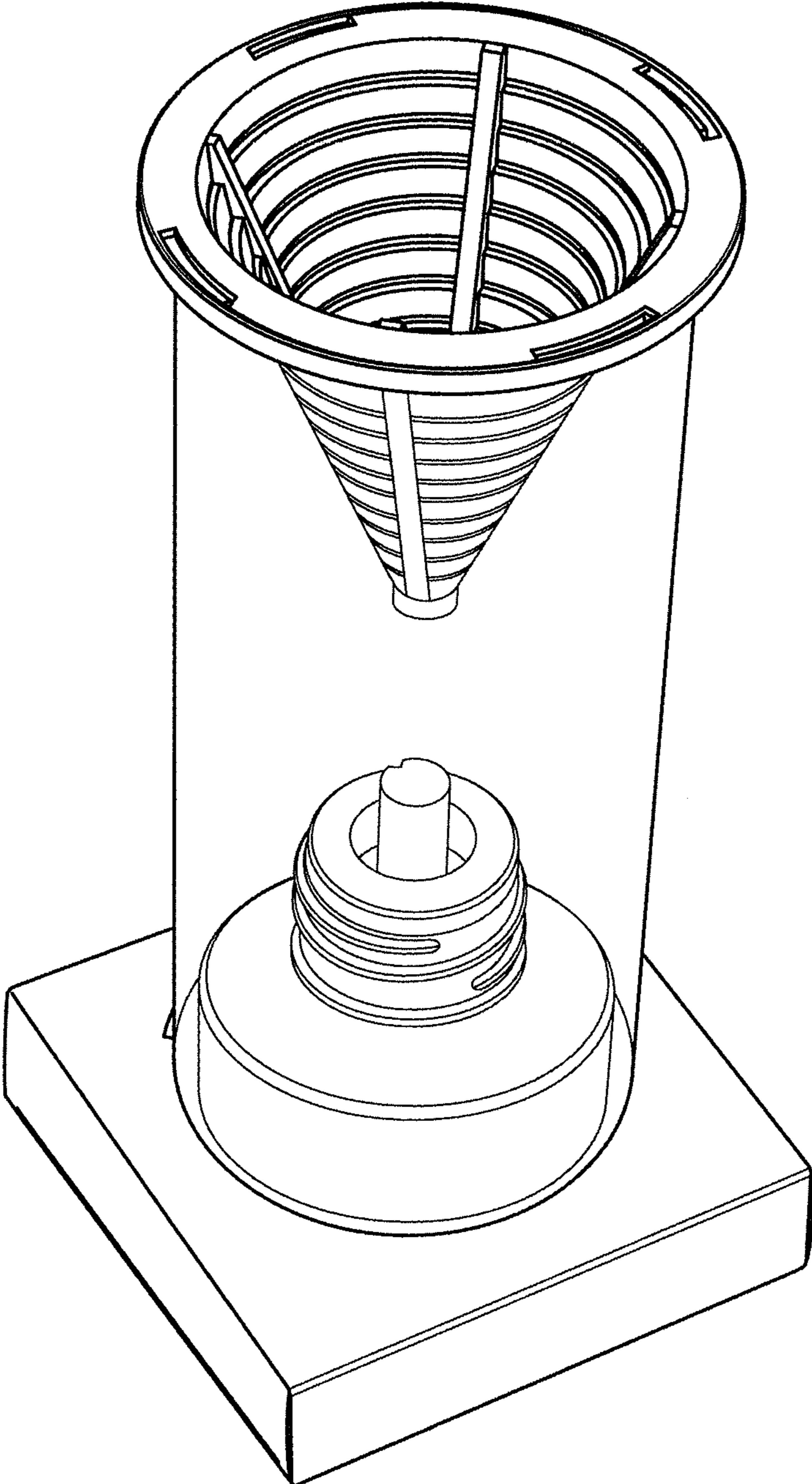


Fig. 1

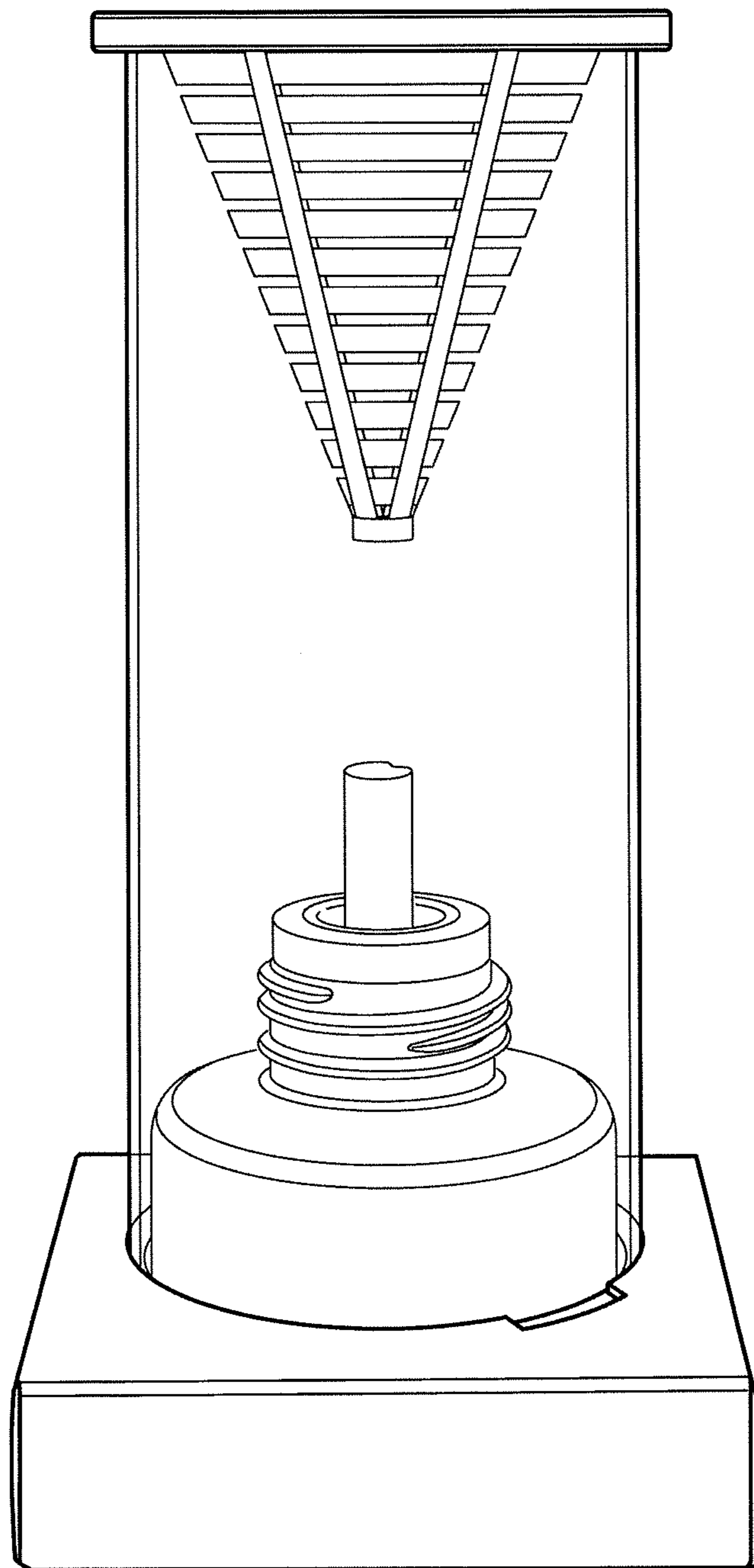


Fig. 2

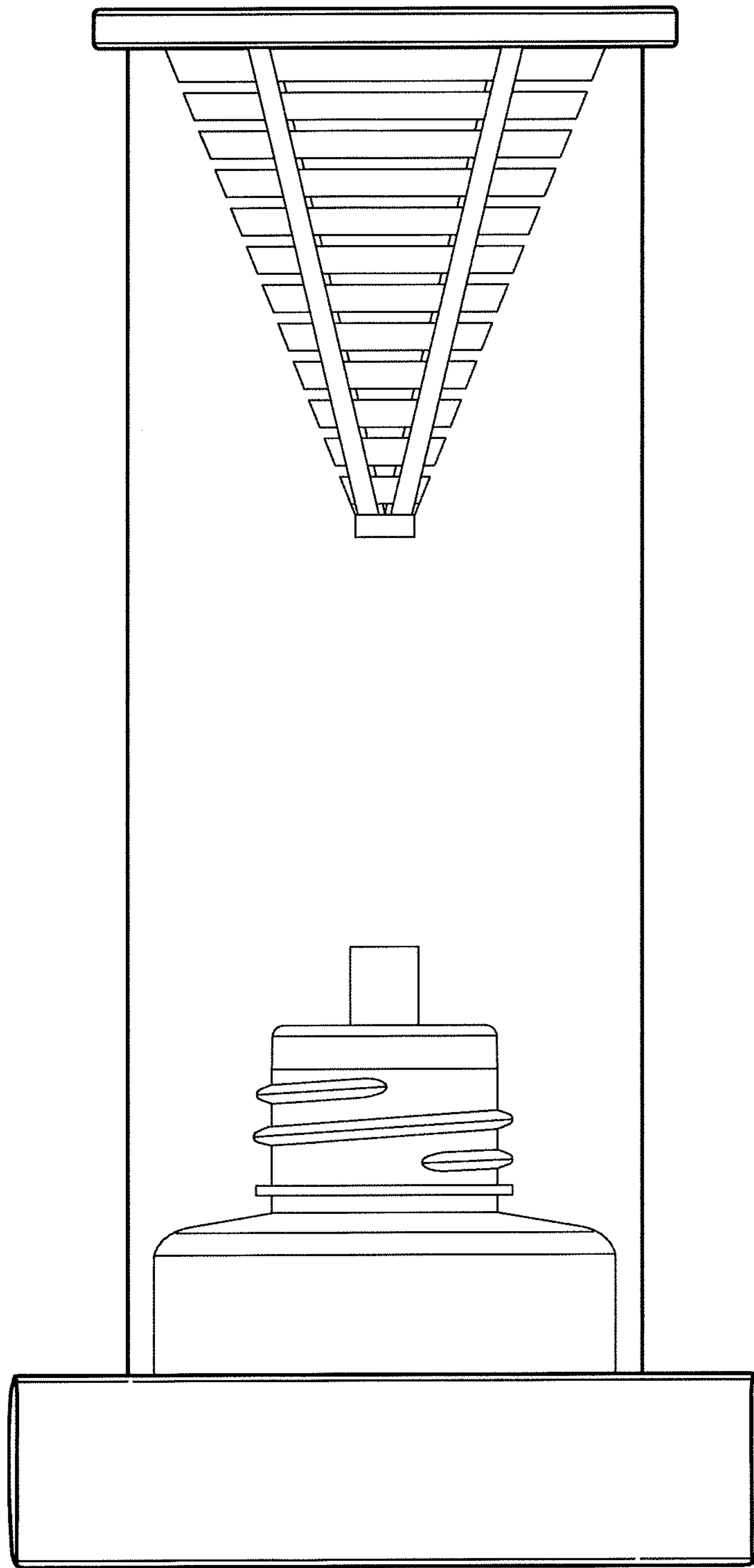


Fig. 3

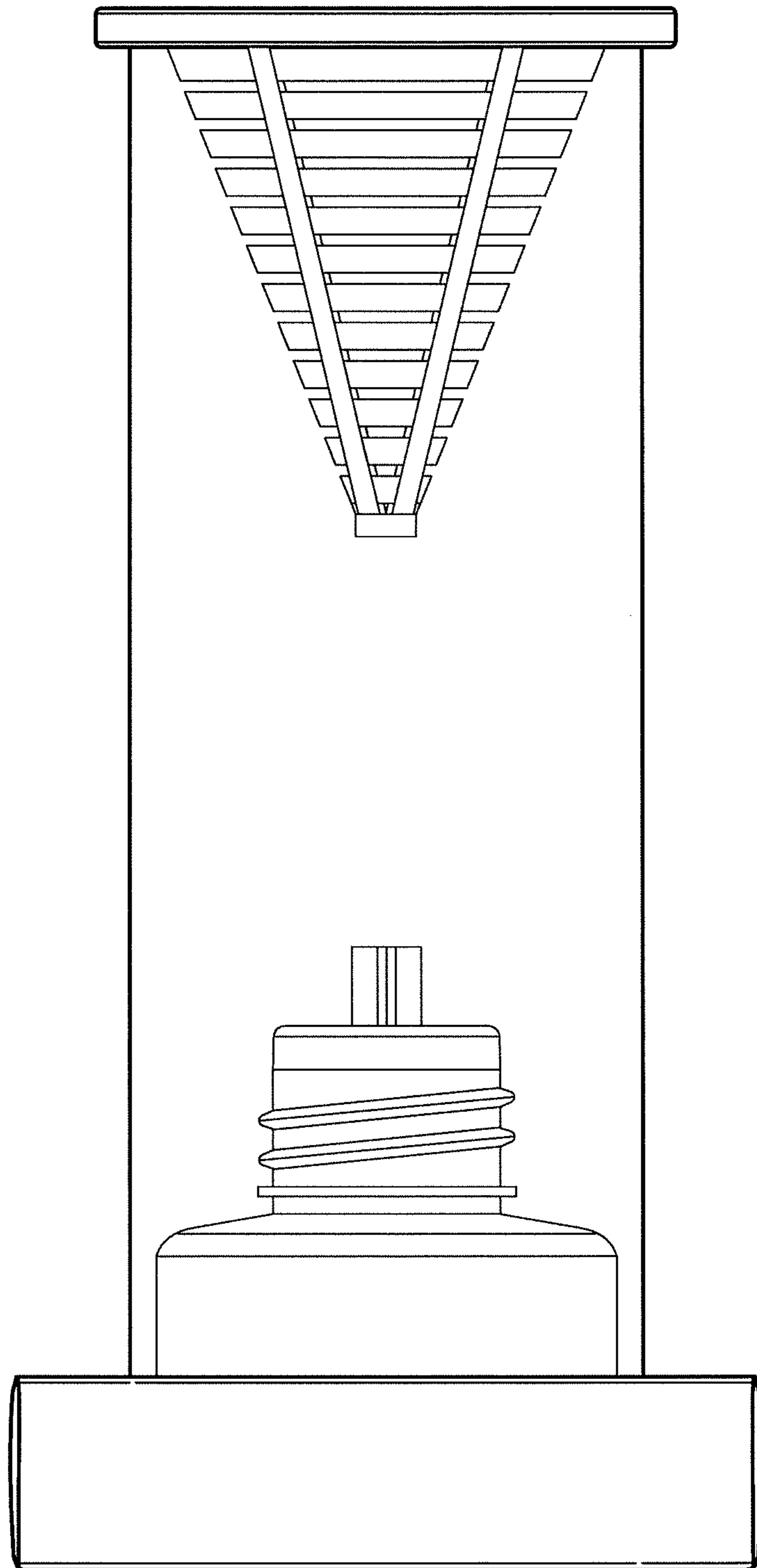


Fig. 4

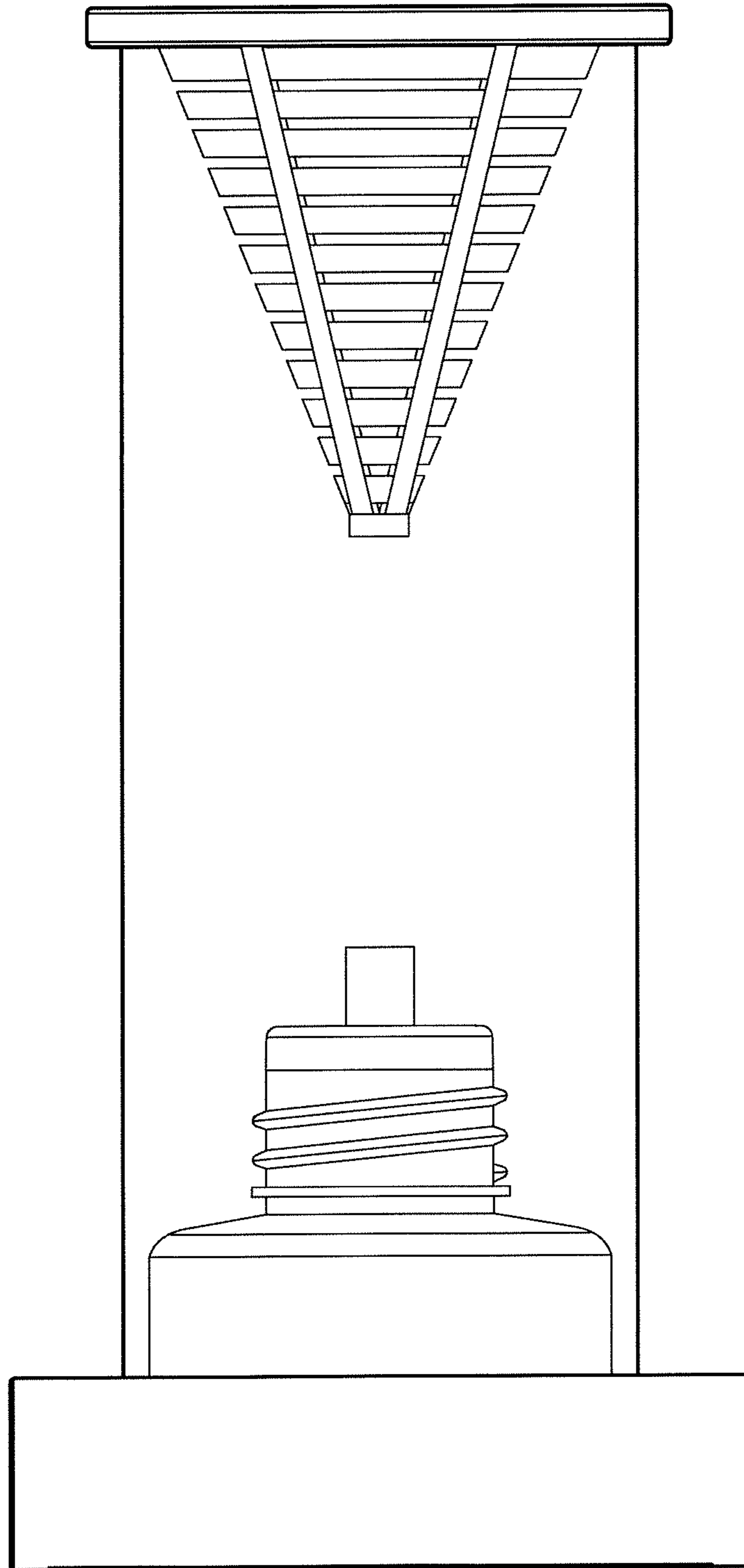


Fig. 5

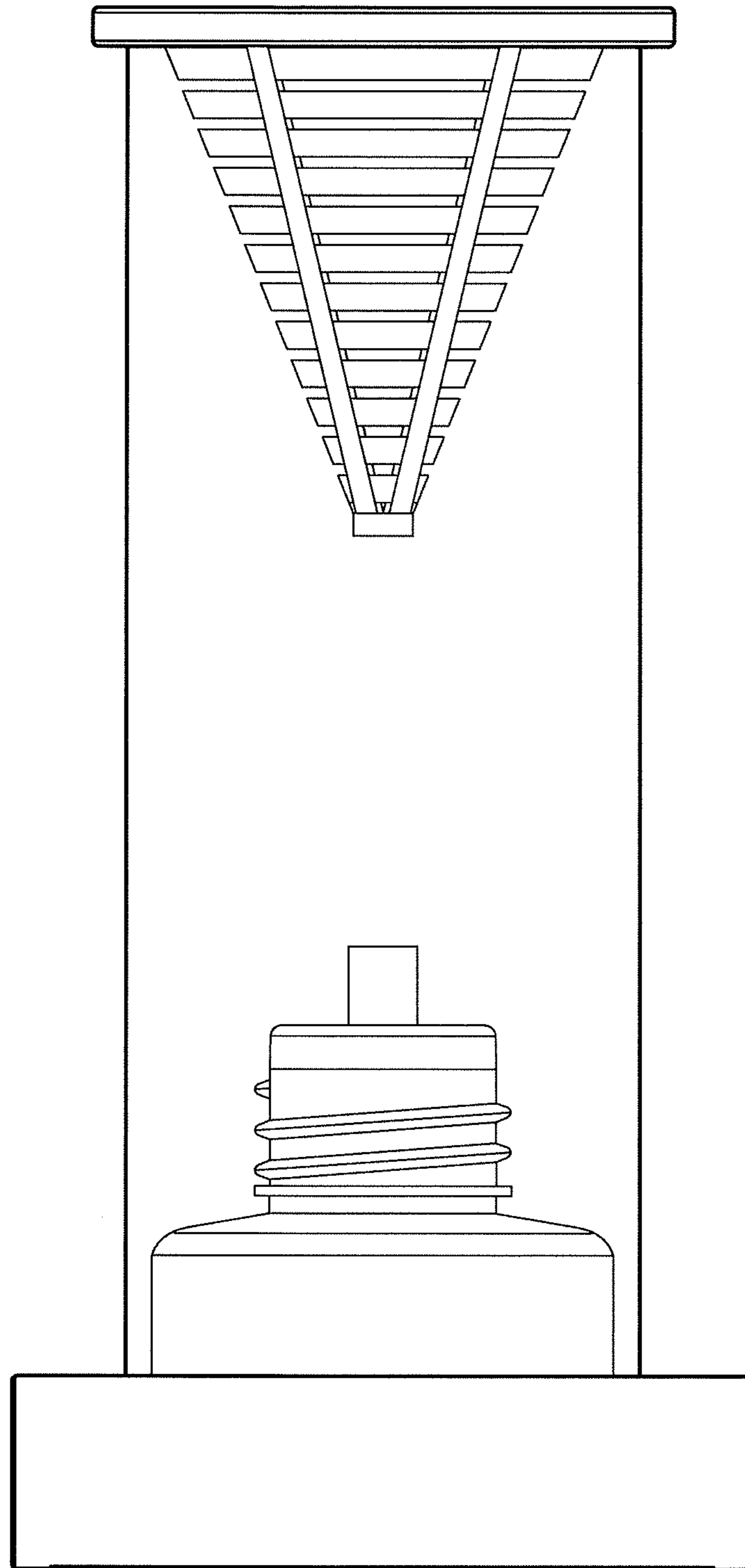


Fig. 6

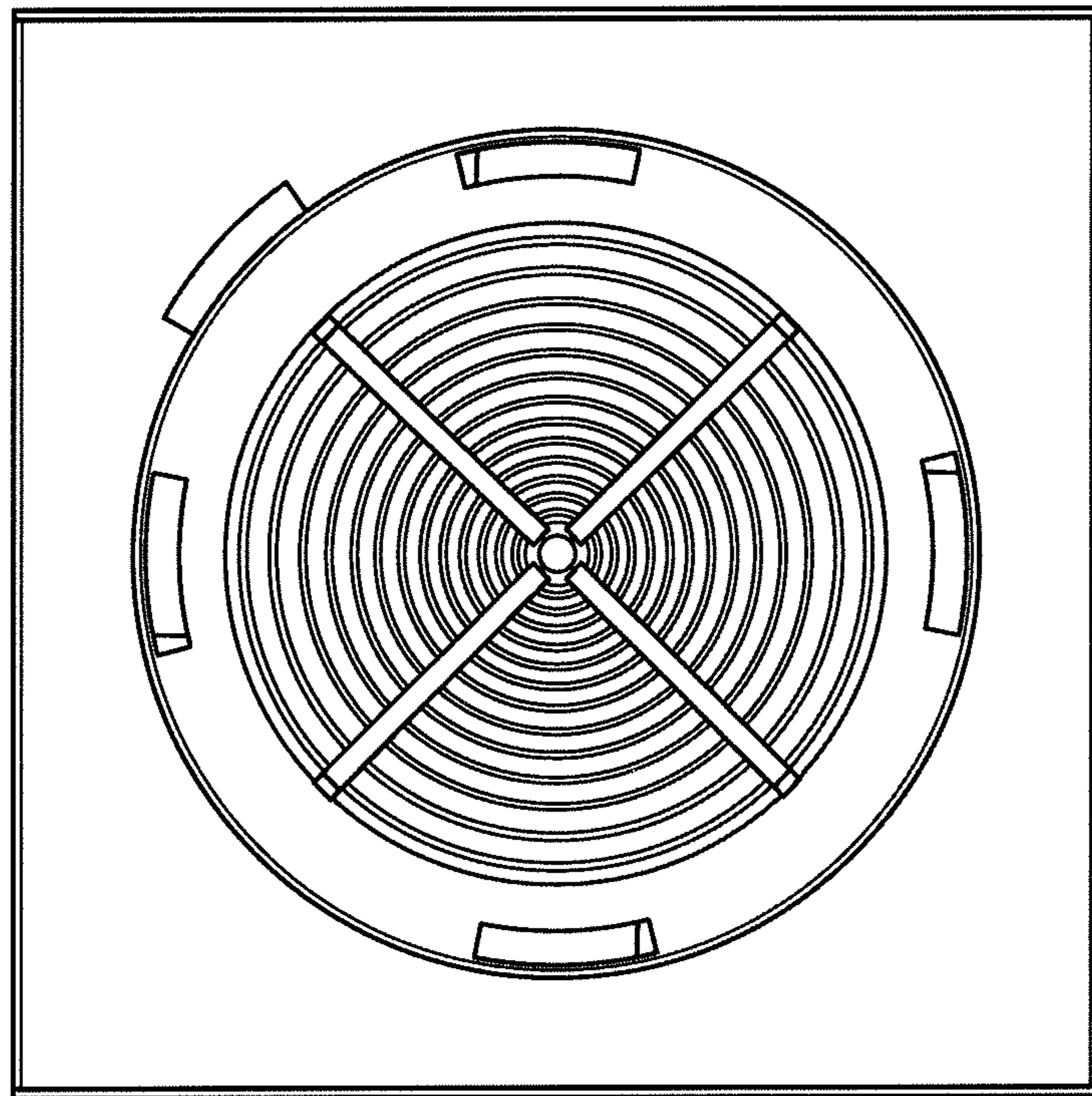
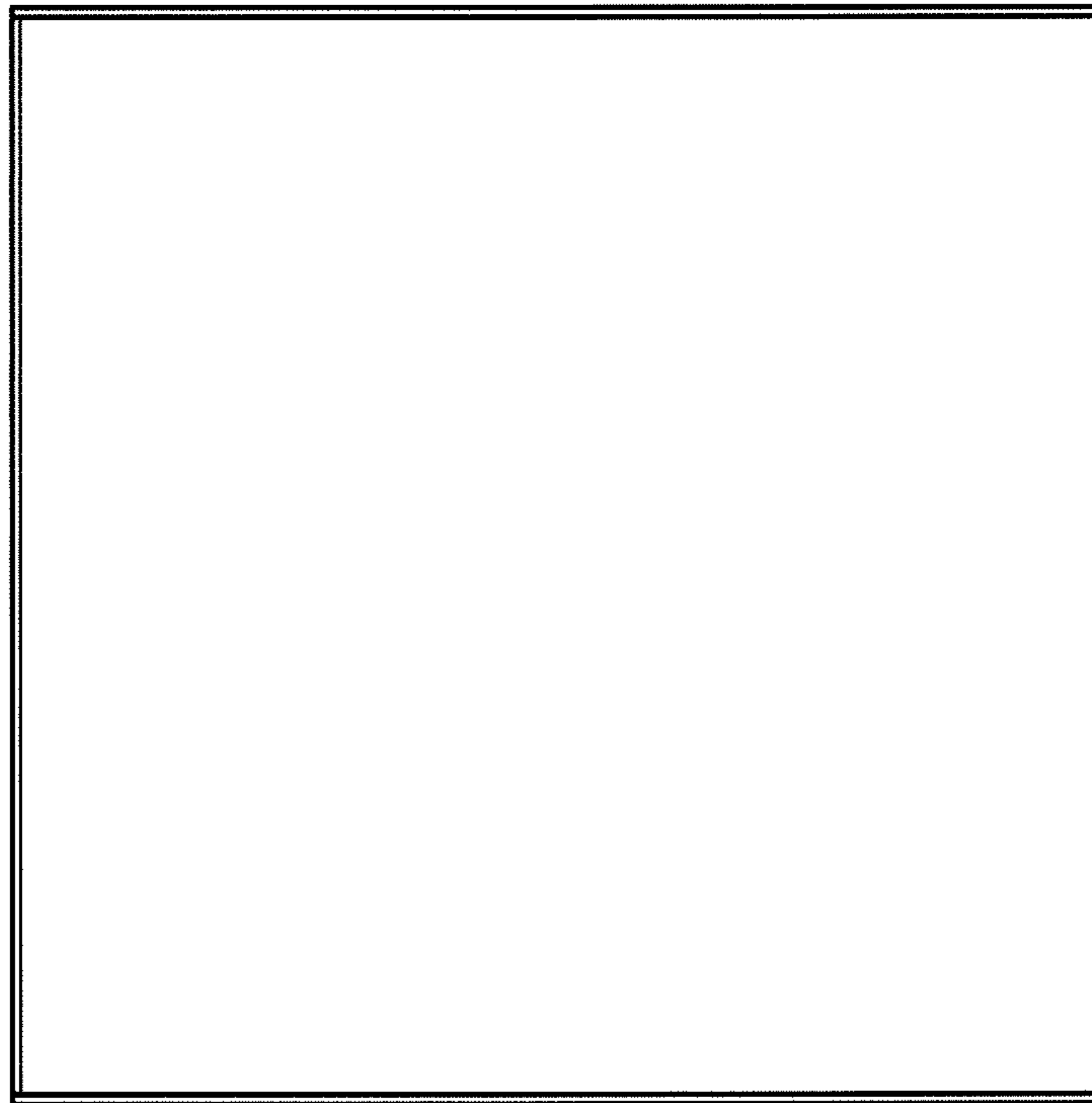


Fig. 7





**Fig. 8**