



US00D959593S

(12) **United States Design Patent** (10) **Patent No.:** **US D959,593 S**
Smith (45) **Date of Patent:** **** Aug. 2, 2022**

(54) **ARTHROPOD TRAPPING DEVICE**

OTHER PUBLICATIONS

(71) Applicant: **The Procter & Gamble Company**,
Cincinnati, OH (US)
(72) Inventor: **Christopher Lawrence Smith**, Liberty
Township, OH (US)
(73) Assignee: **The Procter & Gamble Company**,
Cincinnati, OH (US)

<https://www.webstaurantstore.com/dynatrap-dt3005w-dot-indoor-plug-in-fly-trap/903DT3005W.html> 2003-2022.*
U.S. Appl. No. 29/748,553, filed Aug. 31, 2020, Christopher Lawrence Smith.
All Office Actions; U.S. Appl. No. 29/748,553.

(**) Term: **15 Years**

* cited by examiner

(21) Appl. No.: **29/748,551**

Primary Examiner — Catherine R Oliver-Garcia
(74) *Attorney, Agent, or Firm* — Melissa Krasovec

(22) Filed: **Aug. 31, 2020**

(51) **LOC (13) Cl.** **22-06**

(57) **CLAIM**

The ornamental design for an arthropod trapping device, as shown and described.

(52) **U.S. Cl.**
USPC **D22/122**

DESCRIPTION

(58) **Field of Classification Search**
USPC D22/122–123; D23/366–369
CPC A01M 1/02; A01M 1/04; A01M 1/10;
A01M 1/14; A01M 1/023; A01M 1/223;
A01M 1/106; A01M 1/145; A01M
1/2016; A01M 29/12; A01M 29/34;
A01M 2200/01; A01M 2200/012
See application file for complete search history.

FIG. 1 is a front, right-side isometric view of an embodiment of an arthropod trapping device;
FIG. 2 is a rear, left-side isometric view of the arthropod trapping device of FIG. 1;
FIG. 3 is a front view of the arthropod trapping device of FIG. 1;
FIG. 4 is a right side view of the arthropod trapping device of FIG. 1;
FIG. 5 is is a rear view of the arthropod trapping device of FIG. 1;
FIG. 6 is a left side view of the arthropod trapping device of FIG. 1;
FIG. 7 is a top view of the arthropod trapping device of FIG. 1; and,
FIG. 8 is a bottom view of the arthropod trapping device of FIG. 1.

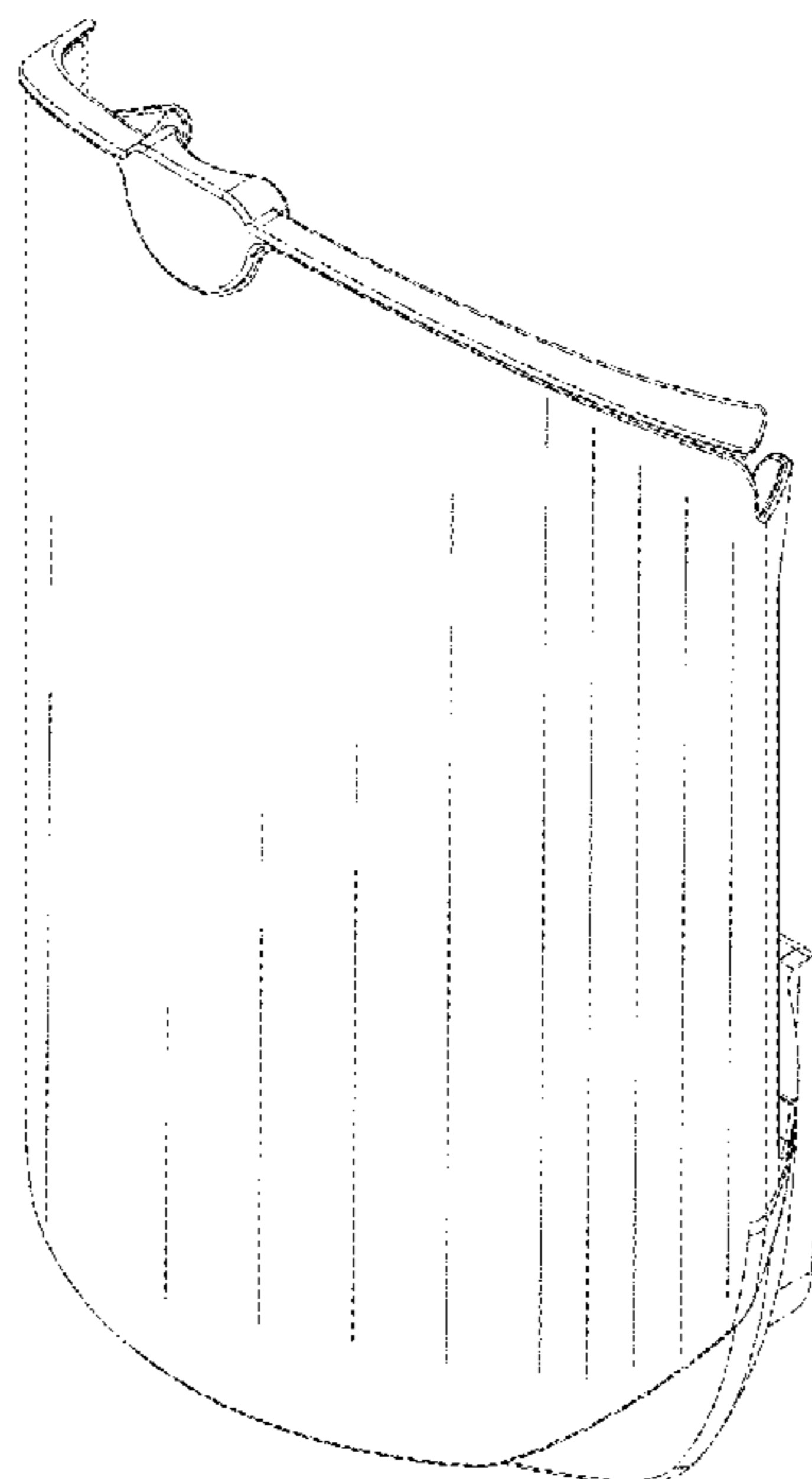
(56) **References Cited**

U.S. PATENT DOCUMENTS

D357,725 S *	4/1995	Biasetti	D22/122
D633,192 S *	2/2011	Valentino	D23/366
D638,531 S *	5/2011	Irwin	D23/366
D643,103 S *	8/2011	Bilko	D23/366
D673,666 S *	1/2013	Gordon	D23/366
D841,114 S *	2/2019	Savchenko	D22/123
D844,098 S *	3/2019	Rocha	D22/122
D850,572 S *	6/2019	Lieberwirth	D22/122
D890,290 S *	7/2020	Towne	D22/122
D890,291 S *	7/2020	Rocha	D22/122

The drawings include shadows and reflections that indicate contour, not surface ornamentation.

1 Claim, 4 Drawing Sheets



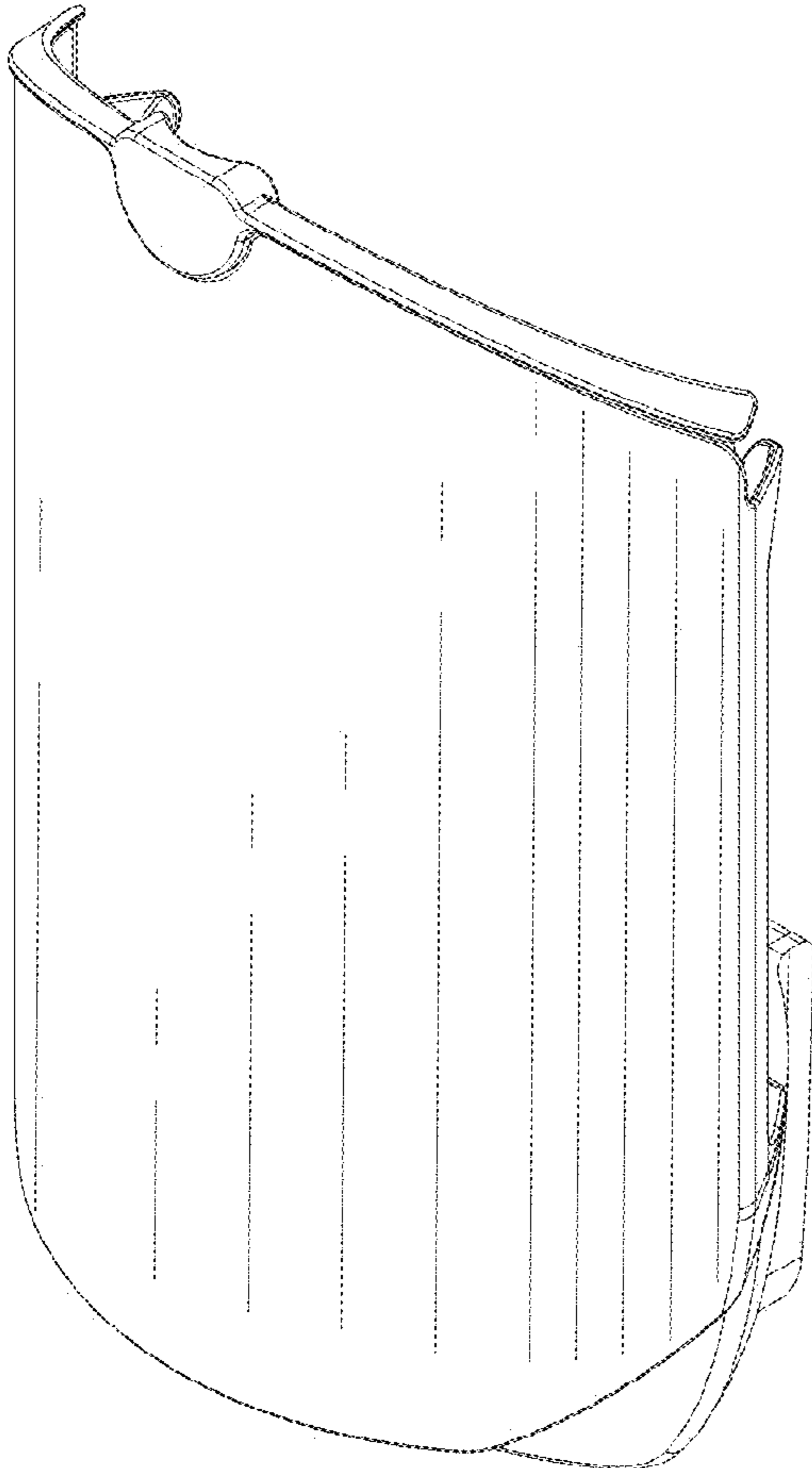


FIG. 1

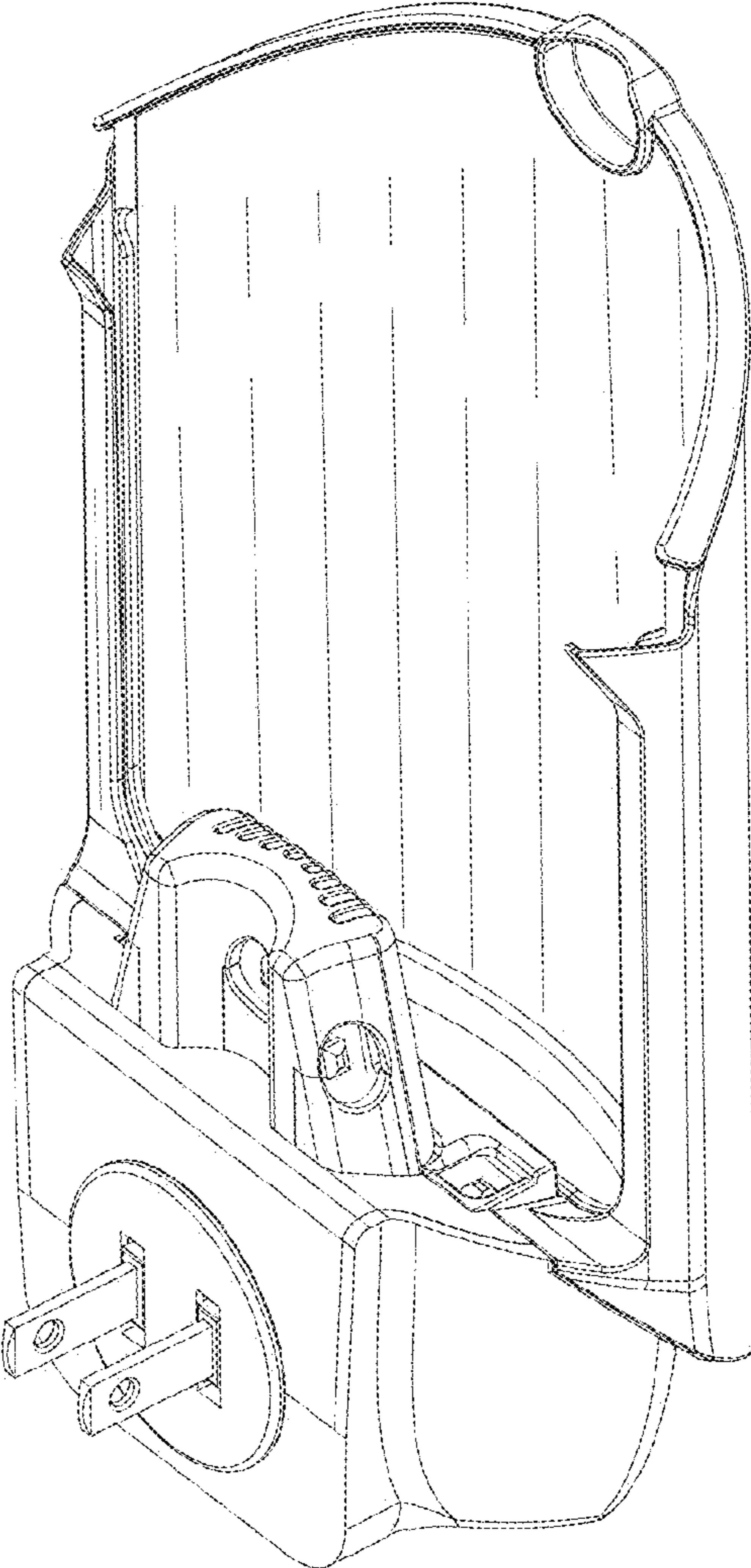


FIG. 2

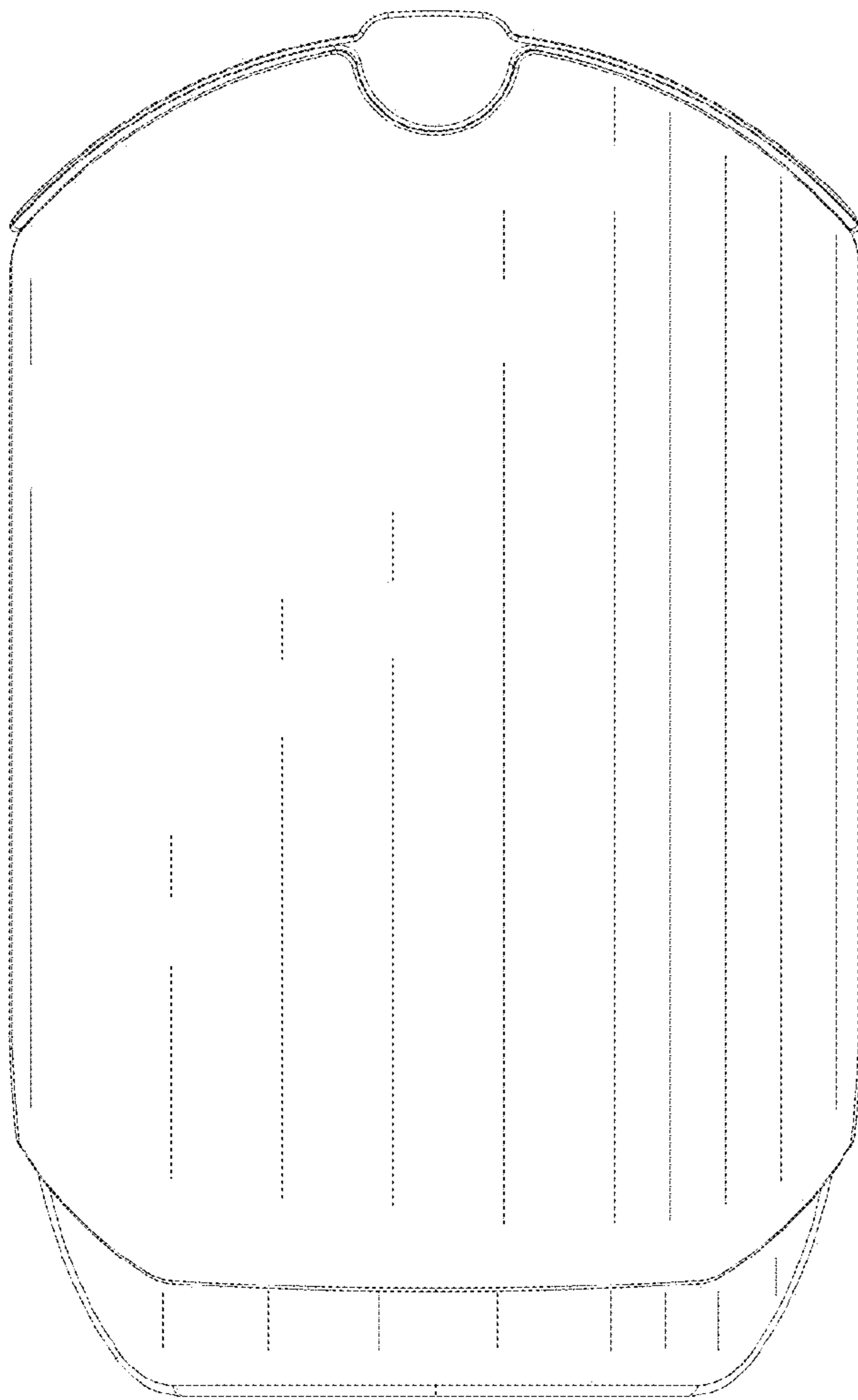


FIG. 3

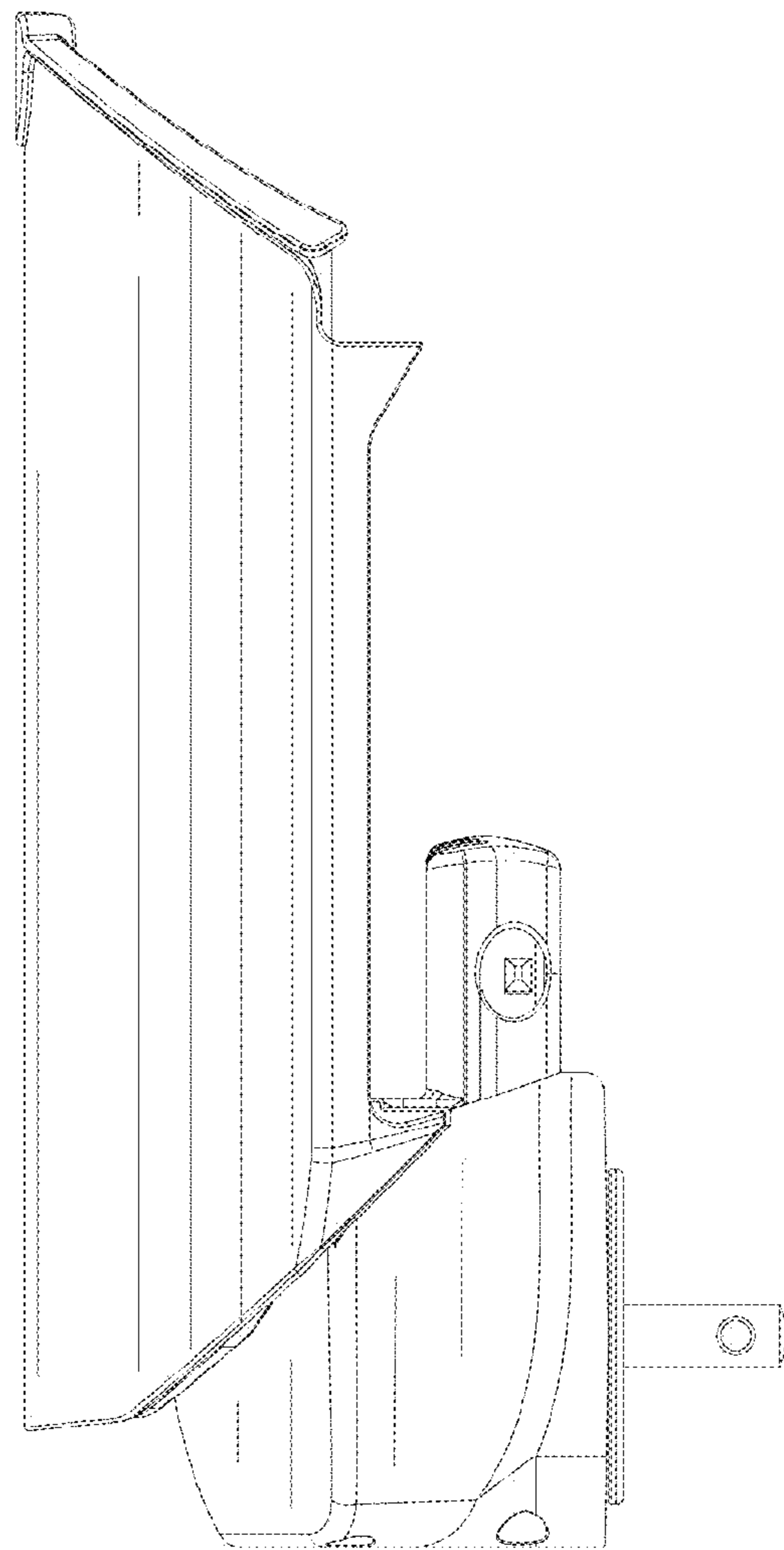


FIG. 4

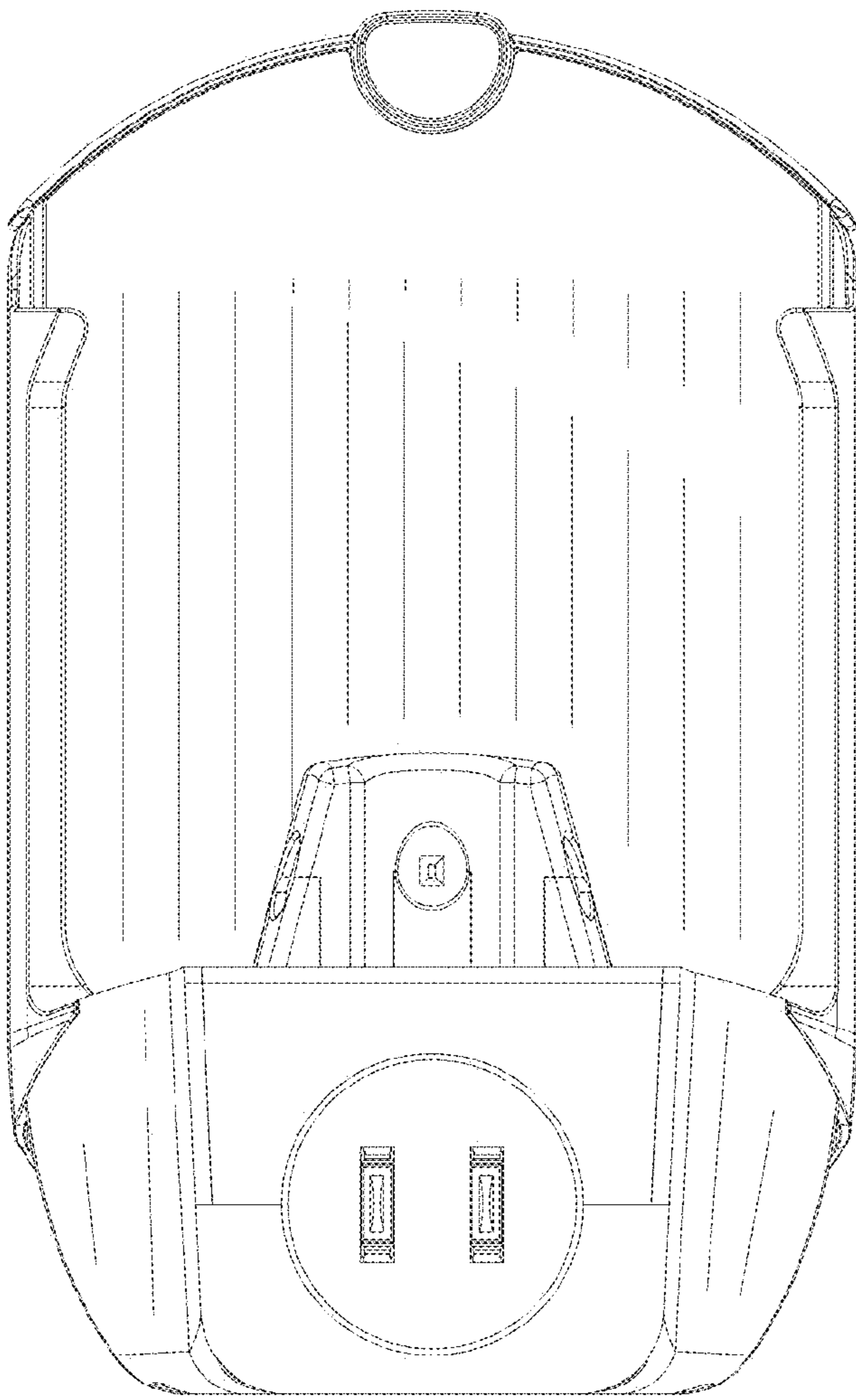


FIG. 5

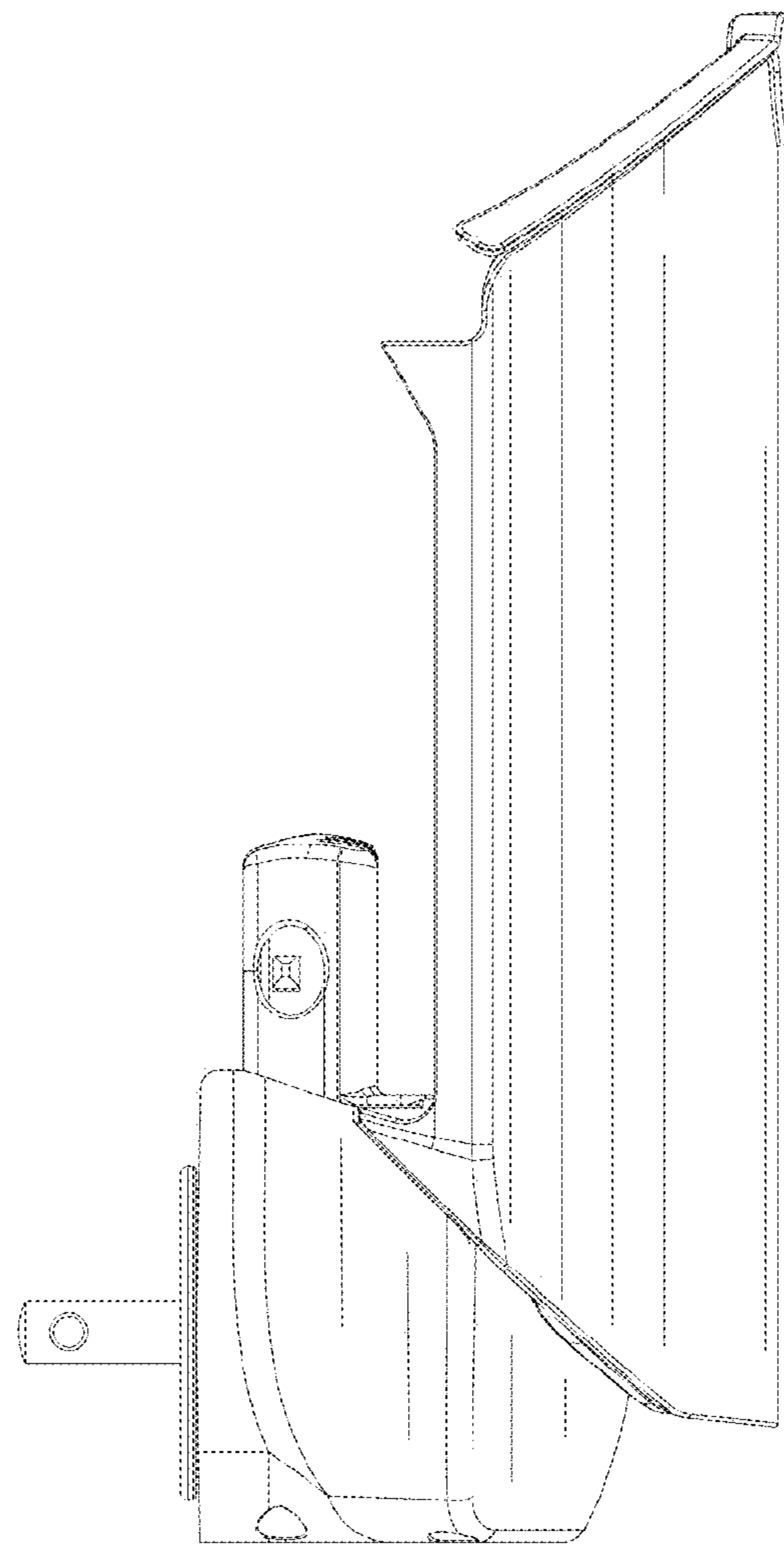


FIG. 6

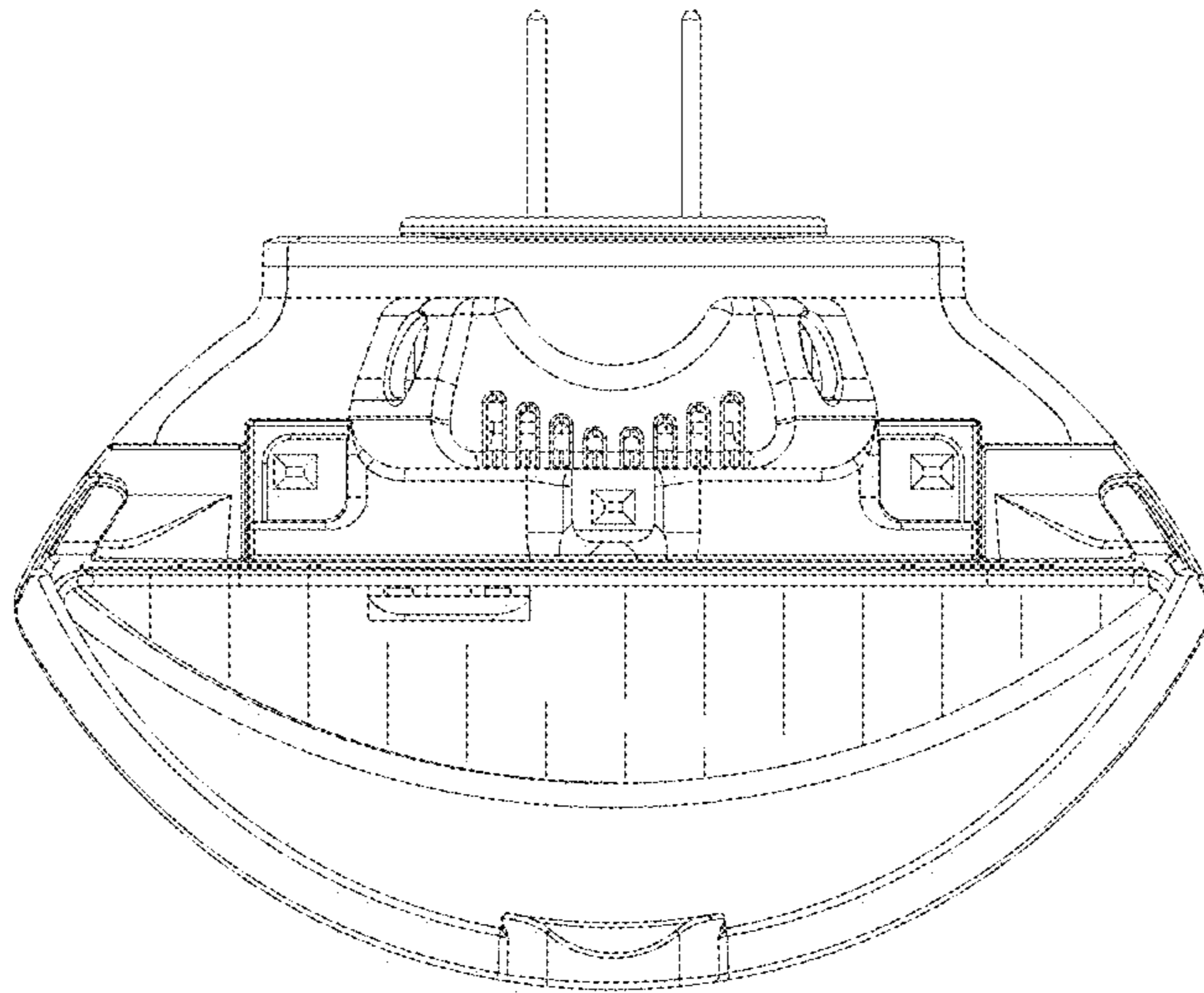


FIG. 7

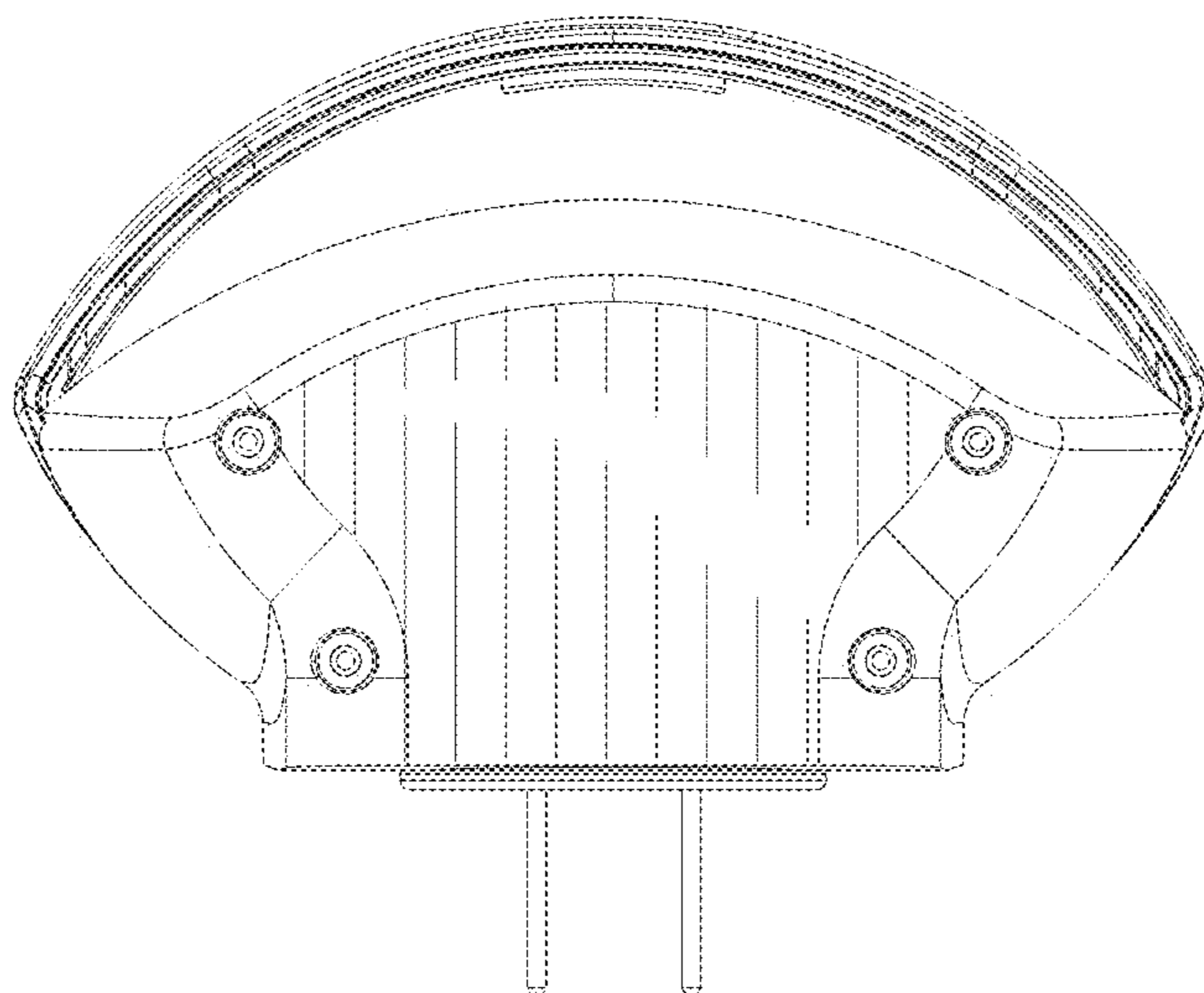


FIG. 8