



US00D959592S

(12) **United States Design Patent**
Brattain

(10) **Patent No.:** **US D959,592 S**

(45) **Date of Patent:** **** Aug. 2, 2022**

(54) **REPTILE TRAP ENCLOSURE**

(71) Applicant: **Aaron Seth Brattain**, Bonita Springs, FL (US)

(72) Inventor: **Aaron Seth Brattain**, Bonita Springs, FL (US)

(**) Term: **15 Years**

(21) Appl. No.: **29/763,428**

(22) Filed: **Dec. 22, 2020**

(51) **LOC (13) Cl.** **22-06**

(52) **U.S. Cl.**
USPC **D22/119**

(58) **Field of Classification Search**

USPC D22/119, 121; 43/62

CPC A01M 23/04; A01M 23/08; A01M 23/16;

A01M 23/22; A01M 23/30; A01K 29/00

See application file for complete search history.

(56) **References Cited**

U.S. PATENT DOCUMENTS

1,339,135 A * 5/1920 Richards A01M 23/00
43/61

D470,562 S * 2/2003 Lafforthun D22/119

11,033,017 B2 * 6/2021 Higgins A01M 23/08

2016/0088828 A1 * 3/2016 Studer A01M 23/16
43/60

2016/0165876 A1 * 6/2016 Herbert A01M 23/08
43/69

OTHER PUBLICATIONS

<https://customreptilehabitats.com/products/eco-25-gallon-pvc-enclosures> (Year: 2022).*

https://www.neobits.com/abb_52171_3_4_steel_city_4_in_square_box_steel_p15125539.html?atc=gbp&gclid=EAIalQobChMlmtTa6PqR-AIVhYKGCCh172wMFEAsYBCABEGJFhFD_BwE 2002-2022.*

https://www.amazon.com/Snake-Trap-Foldable-Commercial-corrugated/product-reviews/B07PKJXLJX/ref=cm_cr_getr_d_paging_btm_next_5?ie=UTF8&reviewerType=all_reviews&pageNumber=5 (Year: 2019).*

* cited by examiner

Primary Examiner — Catherine R Oliver-Garcia

(57) **CLAIM**

The ornamental design for a reptile trap enclosure, as shown and described.

DESCRIPTION

FIG. 1 is a top-front-left perspective view of a reptile trap enclosure showing my new design;

FIG. 2 is a bottom-rear-right perspective view thereof;

FIG. 3 is a front elevational view thereof,

FIG. 4 is a rear elevational view thereof,

FIG. 5 is a left-side elevational view thereof;

FIG. 6 is a right-side elevational view thereof;

FIG. 7 is a top plan view thereof;

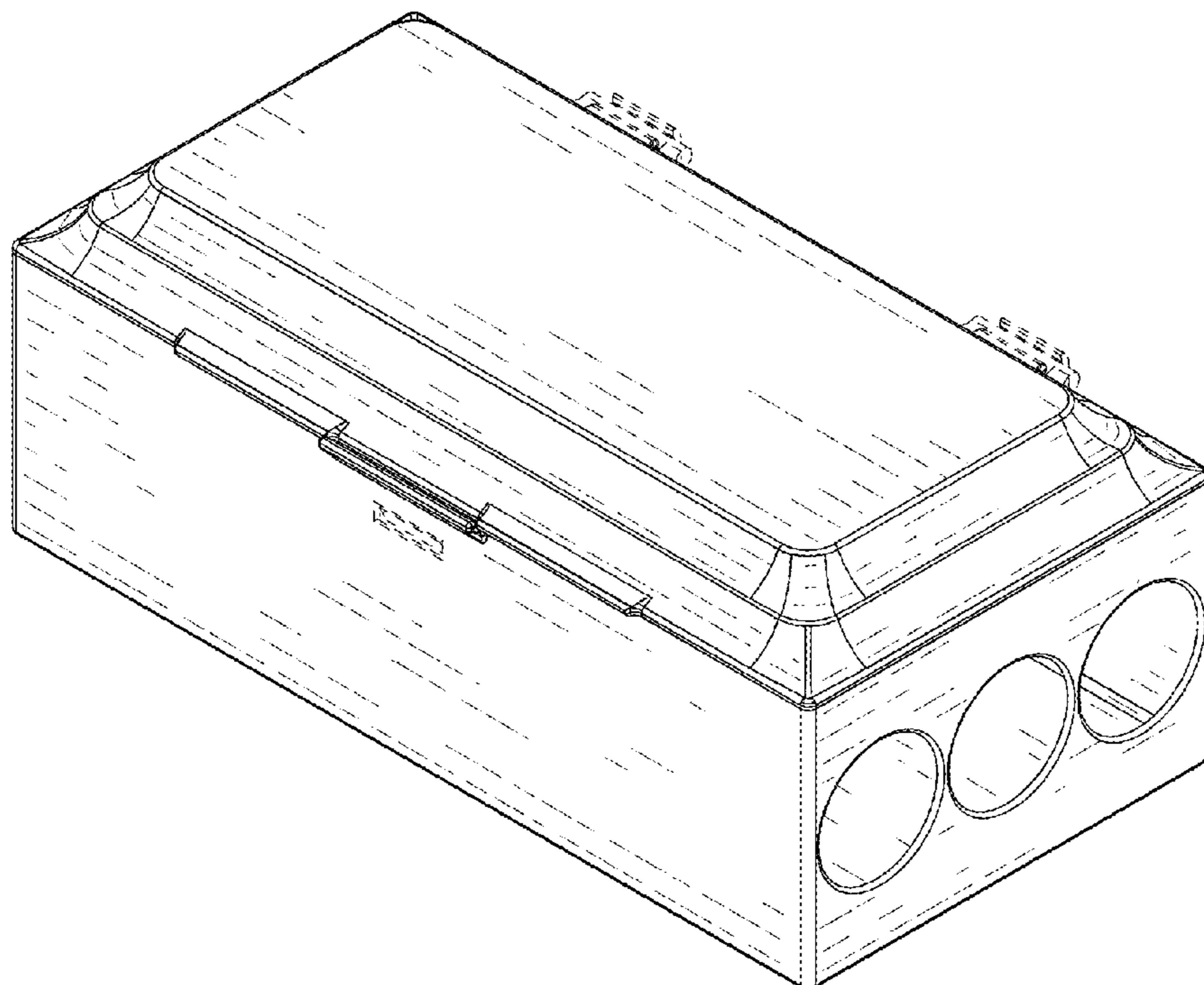
FIG. 8 is a bottom plan view thereof;

FIG. 9 is a top-front perspective view of the present invention, wherein the lid is shown open; and,

FIG. 10 is a top plan view thereof.

The broken line showing a latching member and corresponding slot in FIGS. 1, 3, 9, and 10; and the hinge assemblies shown in FIGS. 1, 2, 4, 5, 6, 7, 8, 9, and 10 is included for the purpose of illustrating environmental structure and forms no part of the claimed design.

1 Claim, 10 Drawing Sheets



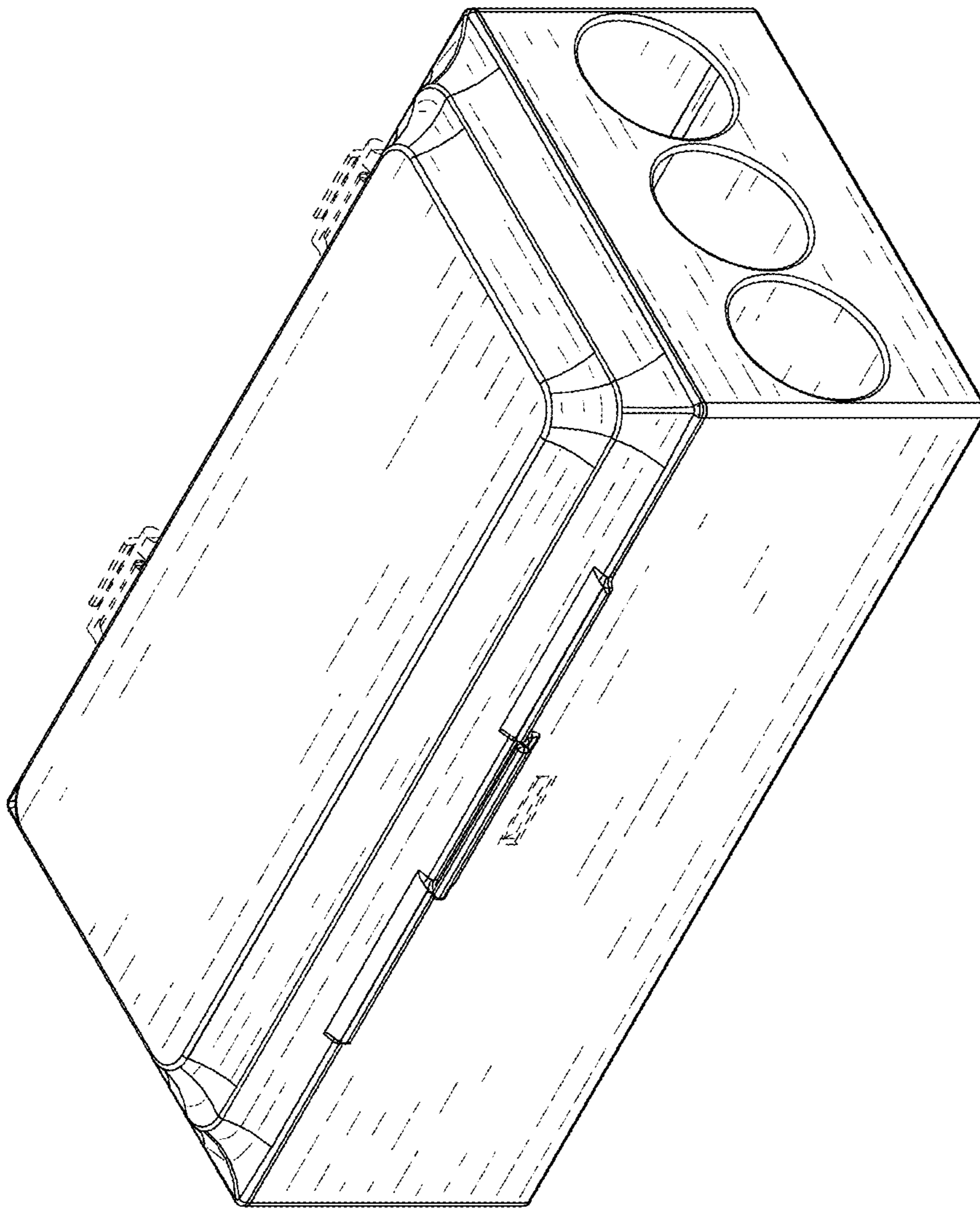


FIG. 1

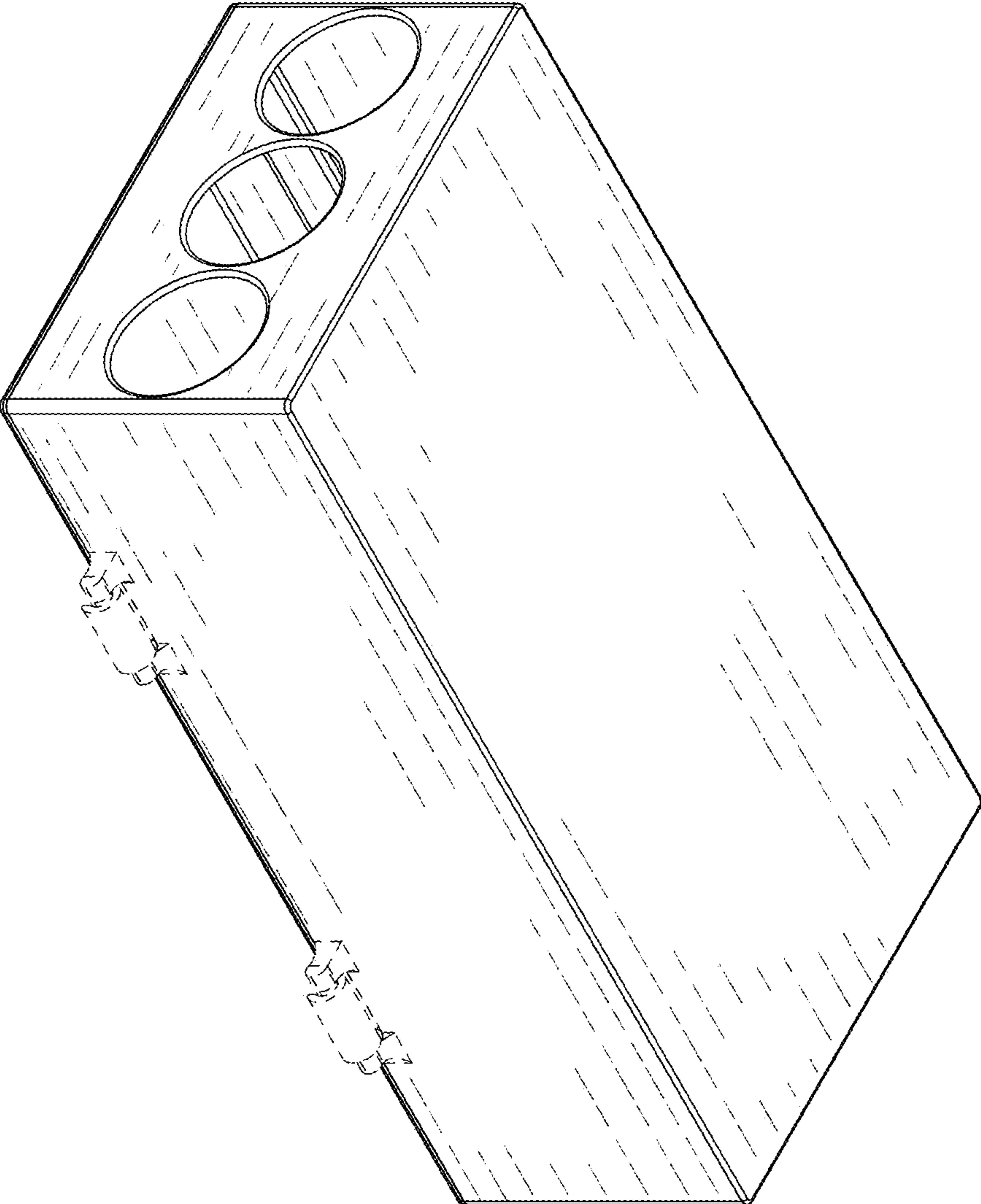


FIG. 2

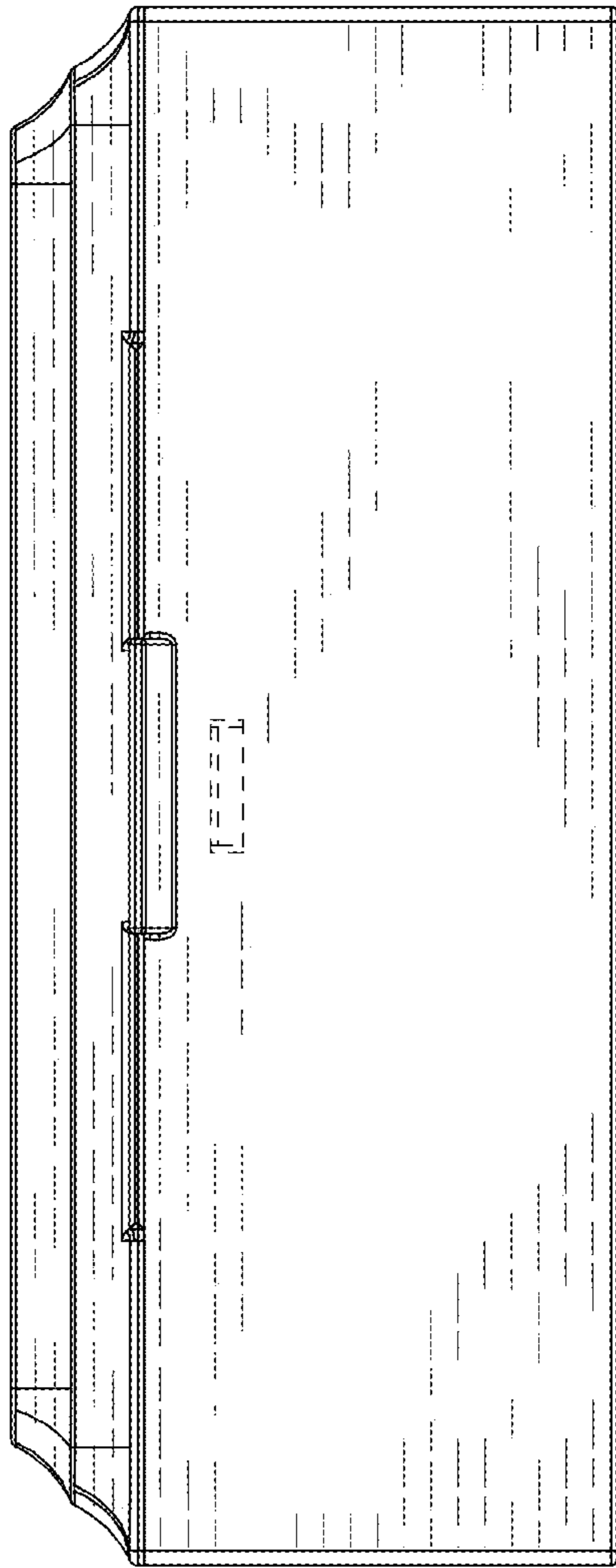


FIG. 3

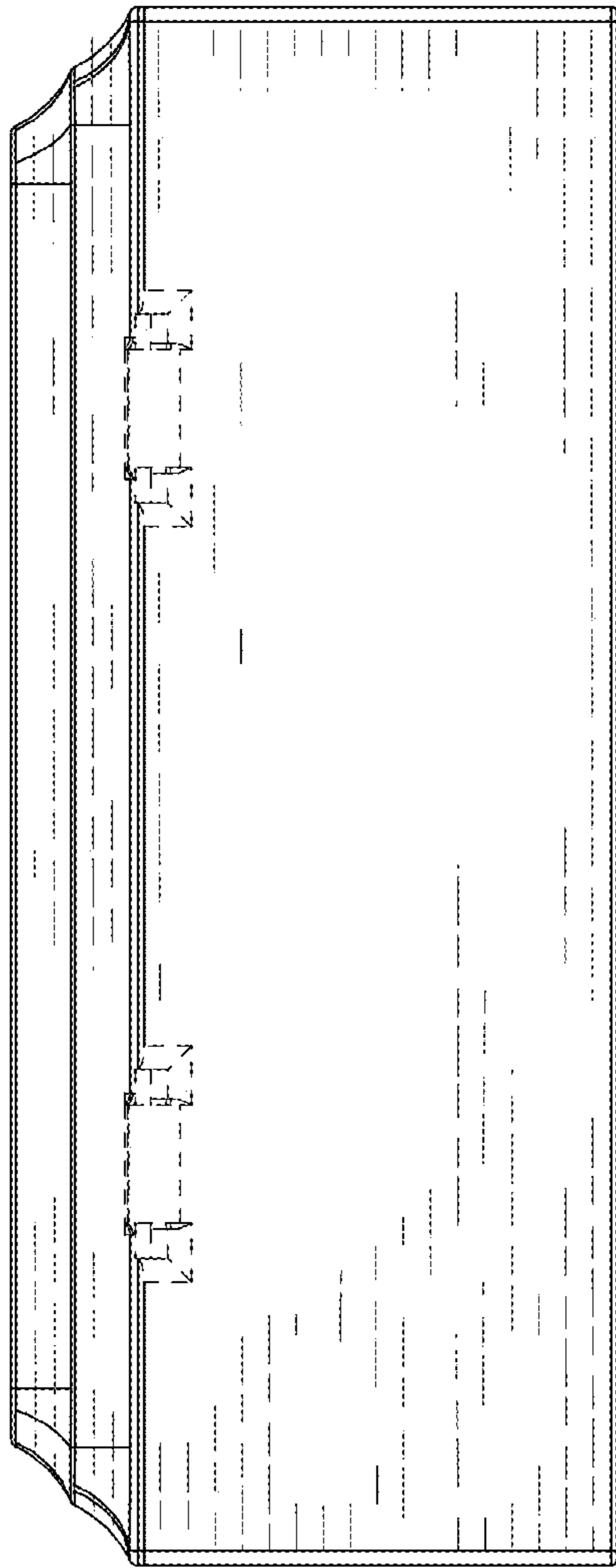


FIG. 4

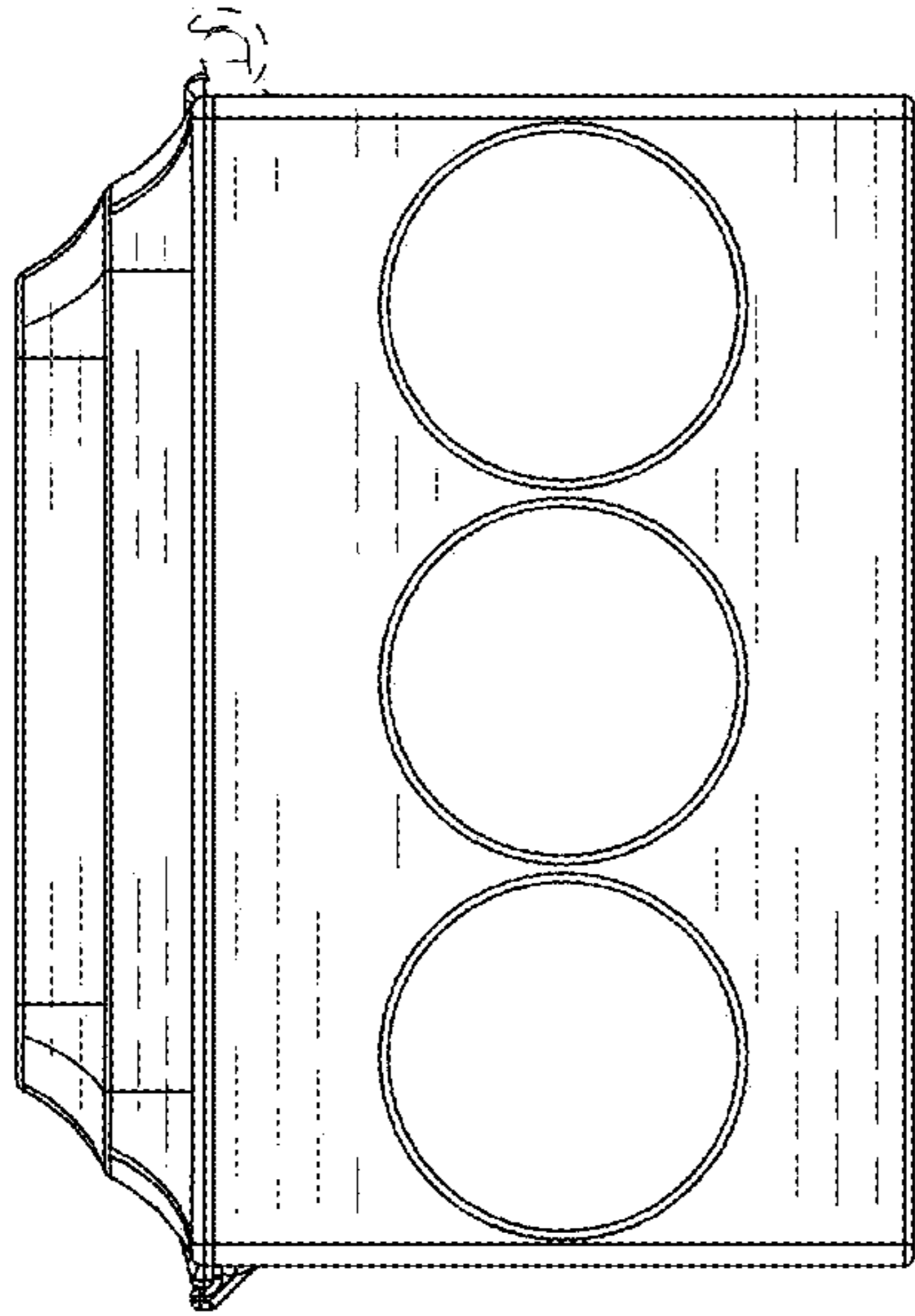


FIG. 5

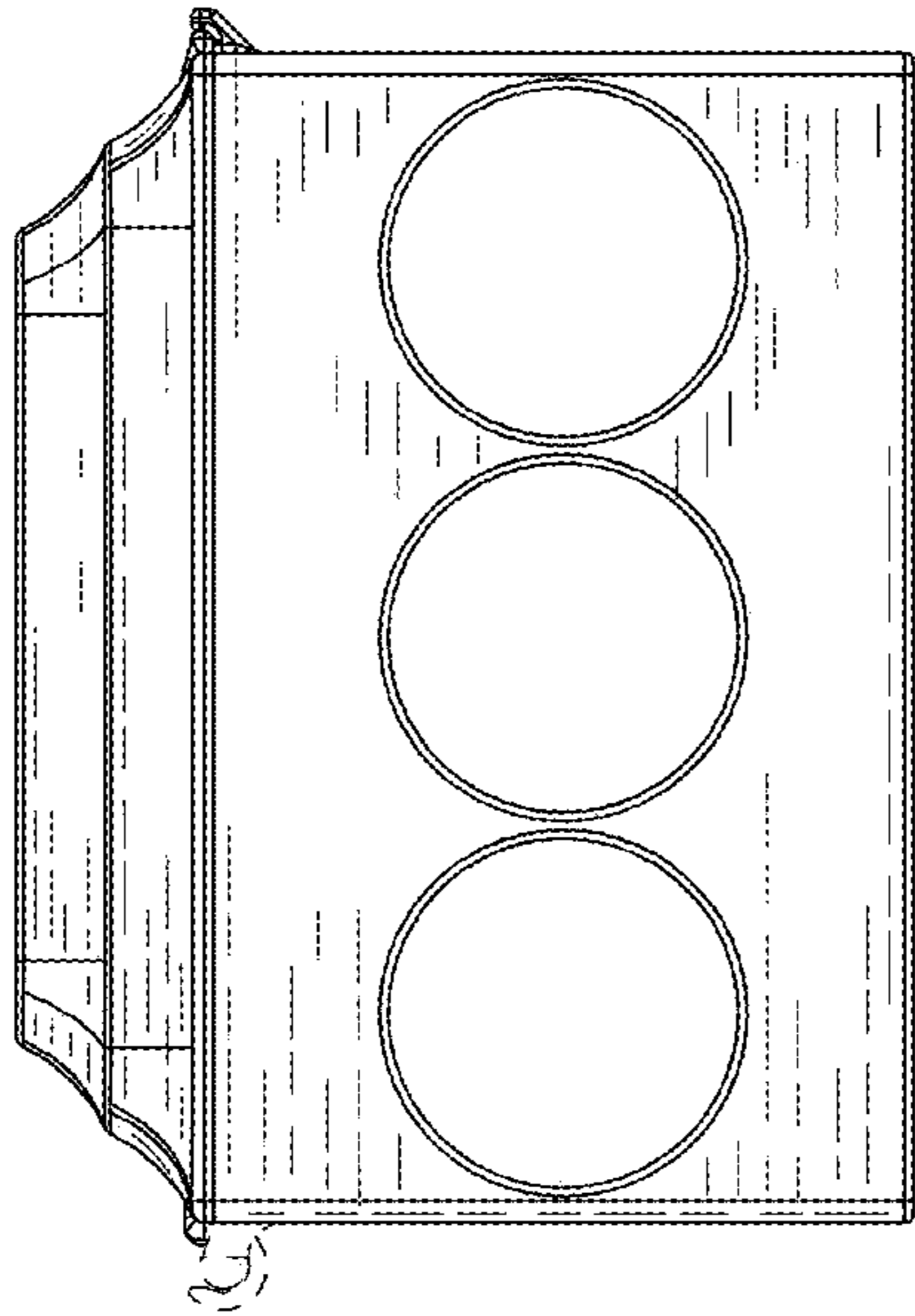


FIG. 6



FIG. 7

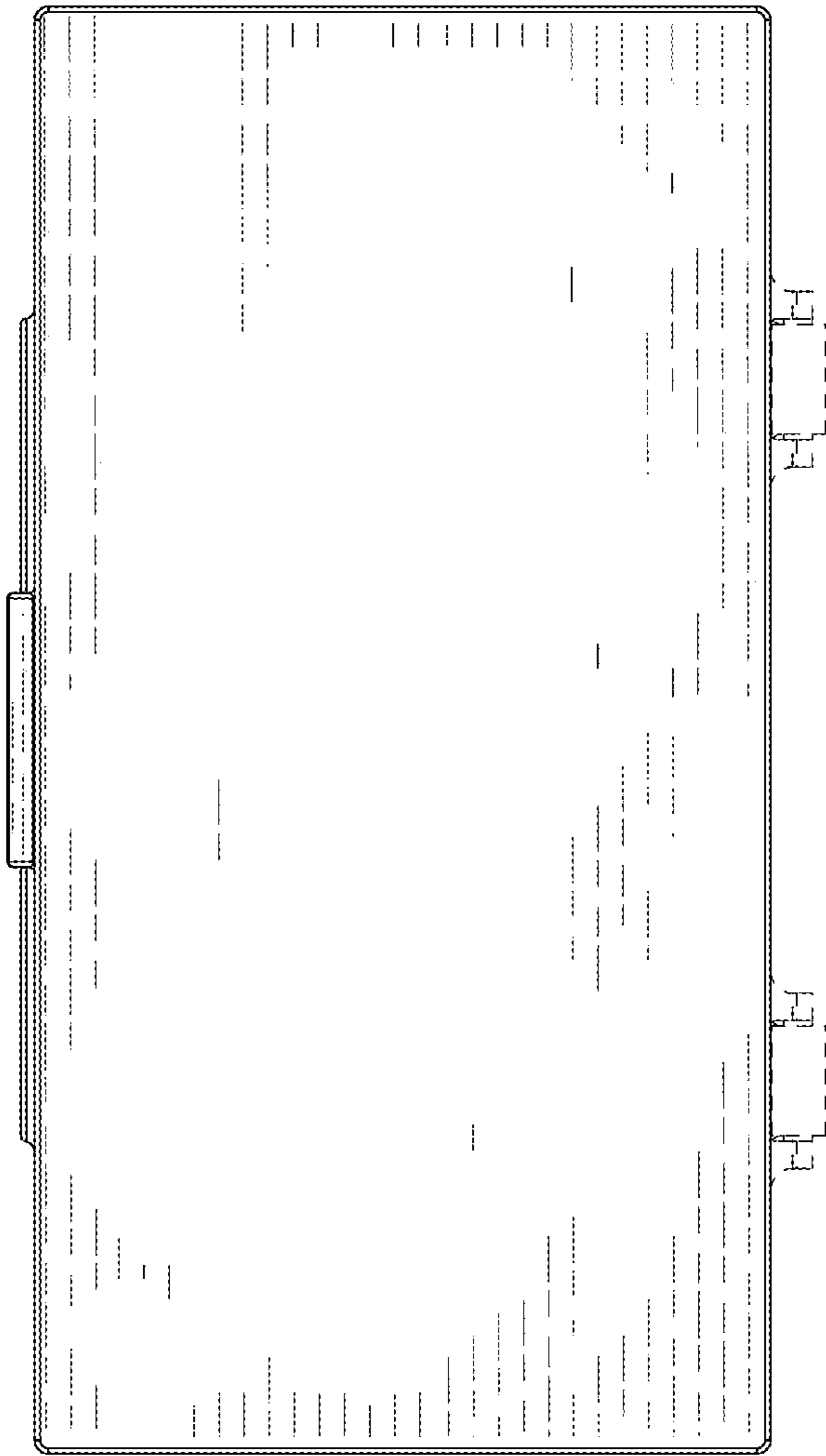


FIG. 8

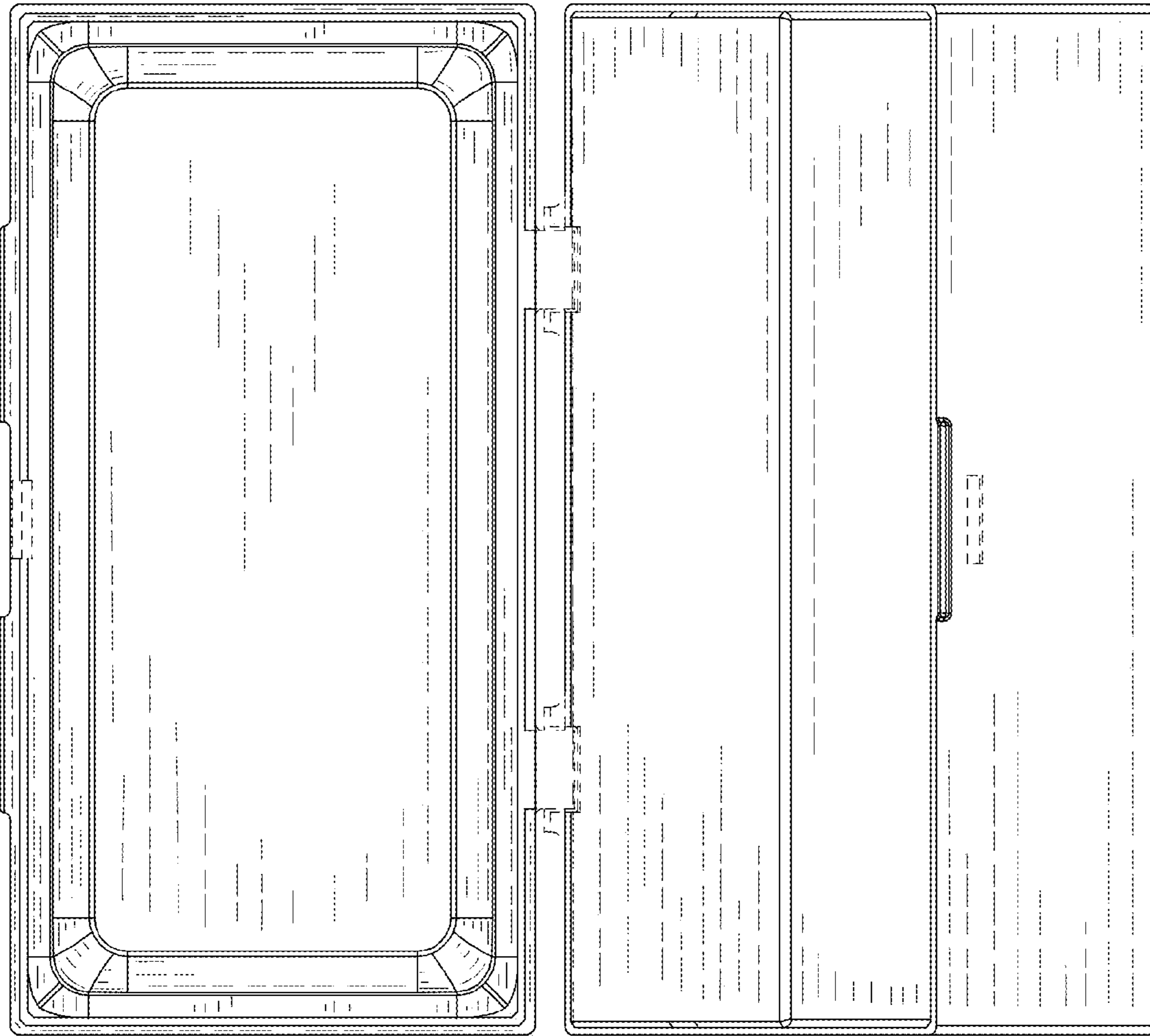


FIG. 9

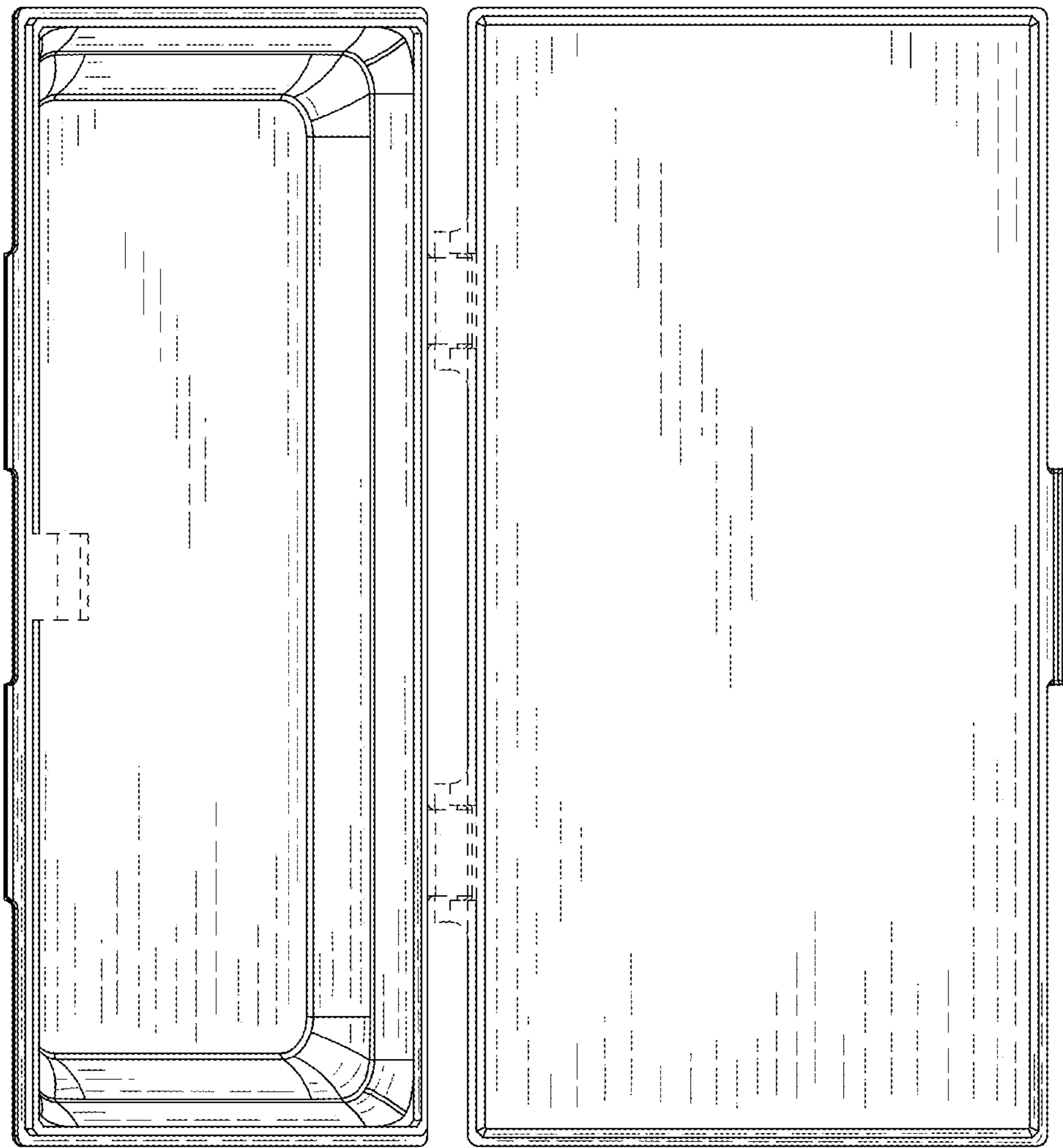


FIG. 10