



US00D959591S

(12) **United States Design Patent** (10) **Patent No.:** **US D959,591 S**  
**Rezek** (45) **Date of Patent:** **\*\* Aug. 2, 2022**

(54) **FLIP-UP FIREARM FRONT SIGHT**

(71) Applicant: **KUMMER s.r.o.**, Uherský Brod (CZ)

(72) Inventor: **Jaroslav Rezek**, Uherský Brod (CZ)

(\*\*) Term: **15 Years**

(21) Appl. No.: **35/509,883**

(22) Filed: **Jun. 15, 2020**

(80) **Hague Agreement Data**

Int. Filing Date: **Jun. 15, 2020**

Int. Reg. No.: **DM/209254**

Int. Reg. Date: **Jun. 15, 2020**

Int. Reg. Pub. Date: **Jul. 24, 2020**

(51) **LOC (13) Cl.** ..... **22-01**

(52) **U.S. Cl.**  
USPC ..... **D22/109**

(58) **Field of Classification Search**  
USPC ..... D22/100, 108, 109, 110, 199  
CPC ..... F41G 1/02; F41G 1/06; F41G 1/16  
See application file for complete search history.

(56) **References Cited**

**U.S. PATENT DOCUMENTS**

D526,380 S *	8/2006	Swan	.....	D22/109
D594,083 S *	6/2009	Mayberry	.....	D22/109
D594,084 S *	6/2009	Mayberry	.....	D22/109
D615,144 S *	5/2010	Mayberry	.....	D22/109
D628,261 S *	11/2010	Ballard	.....	D22/110
D631,124 S *	1/2011	Ballard	.....	D22/109
D635,634 S *	4/2011	Swan	.....	D22/109
D637,259 S *	5/2011	Swan	.....	D22/109
D648,413 S *	11/2011	Mayberry	.....	D22/109
8,484,882 B2 *	7/2013	Haley	.....	F41G 1/36 42/132
D690,778 S *	10/2013	Lee	.....	D21/573
D704,792 S *	5/2014	Fitzpatrick	.....	D22/108
D705,890 S *	5/2014	Fitzpatrick	.....	D22/109
D720,828 S *	1/2015	Faifer	.....	D22/108
D721,156 S *	1/2015	Faifer	.....	D22/108

D728,727 S *	5/2015	Barfoot	.....	D22/109
D728,728 S *	5/2015	Barfoot	.....	D22/109
D736,338 S *	8/2015	Fitzpatrick	.....	D22/109
D736,339 S *	8/2015	Fitzpatrick	.....	D22/109
D807,463 S *	1/2018	Warensford	.....	D22/109
D820,921 S *	6/2018	Chu	.....	D21/573
D851,203 S *	6/2019	Ding	.....	D22/109
D852,920 S *	7/2019	Ding	.....	D22/109
D863,489 S *	10/2019	Ding	.....	D22/109
D863,490 S *	10/2019	Ding	.....	D22/109
D873,947 S *	1/2020	Shelton	.....	D22/109
D919,036 S *	5/2021	Tong	.....	D22/109

(Continued)

**OTHER PUBLICATIONS**

“UTG Super Slim Flip-up Front Sight, Black” [online]. UTG. [Product first available on Nov. 16, 2015]. Retrieved from the Internet: <<https://www.amazon.com/dp/B0182VADPU>>.\*

(Continued)

*Primary Examiner* — Mojtaba Tehrani

(74) *Attorney, Agent, or Firm* — Rumit R. Kanakia

(57) **CLAIM**

I claim the ornamental design for a flip-up firearm front sight, as shown and described.

**DESCRIPTION**

FIG. 2.1 a perspective view of a flip-up firearm front sight showing my new design;

FIG. 2.2 is another perspective view of the flip-up firearm front sight in a stowed position;

FIG. 2.3 is a rear plan view of the flip-up firearm front sight of FIG. 2.1;

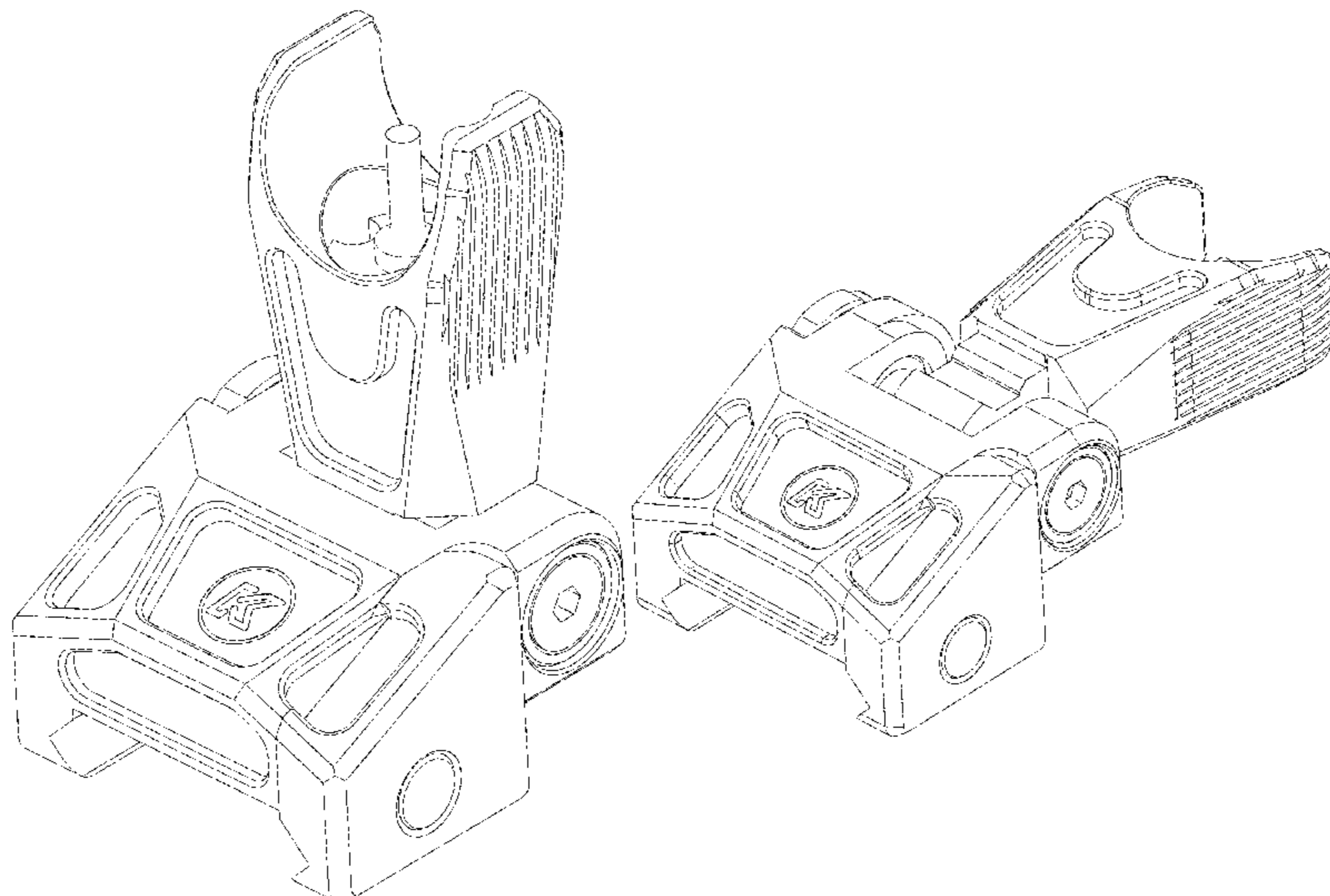
FIG. 2.4 is a right-side view thereof;

FIG. 2.5 a left-side view thereof; and

FIG. 2.6 is a top view thereof.

The broken lines in the drawings depict portions of the flip-up firearm front sight that form no part of the claimed design.

**1 Claim, 6 Drawing Sheets**



(56)

**References Cited**

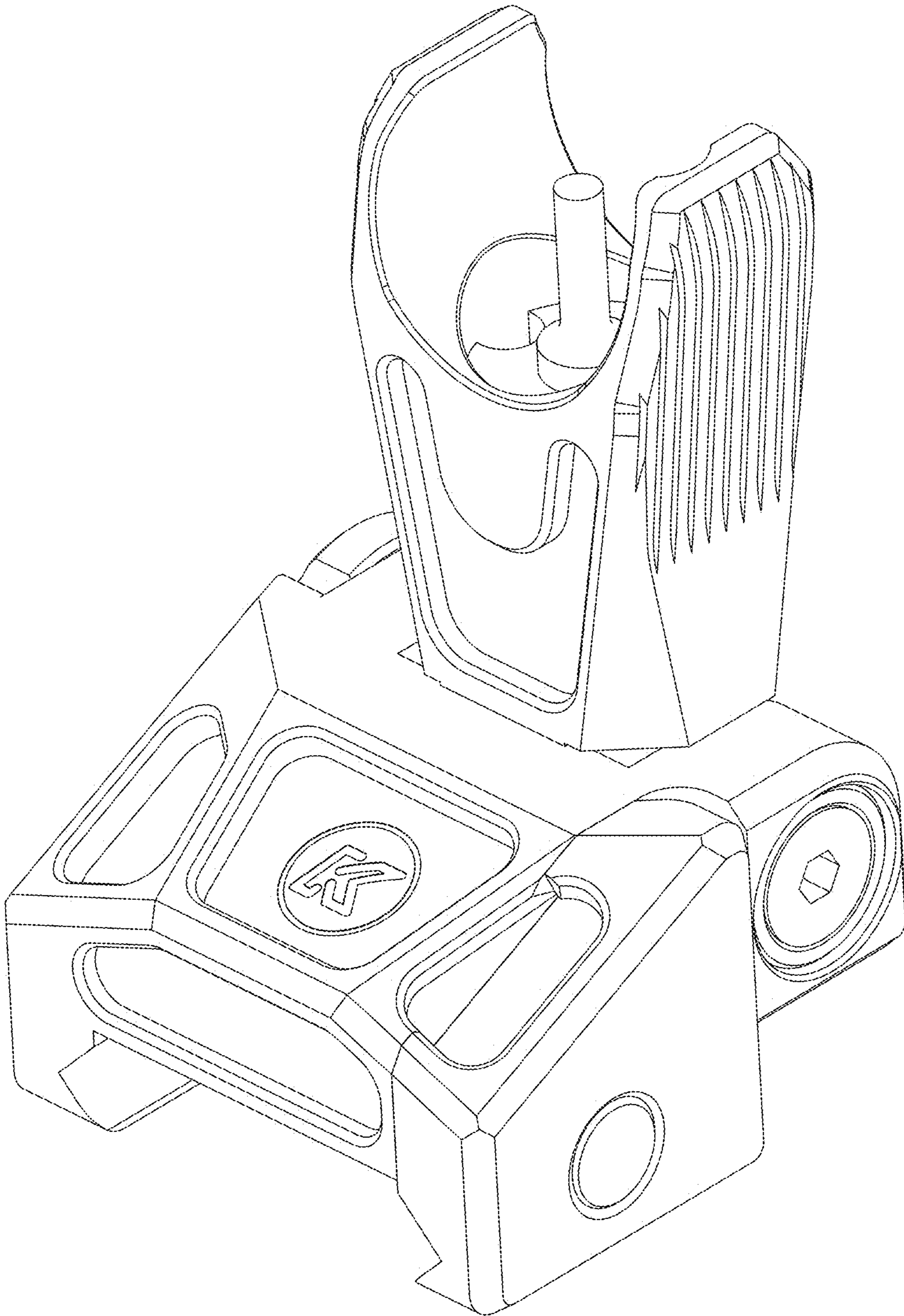
U.S. PATENT DOCUMENTS

D919,037 S \* 5/2021 Tong ..... D22/109  
2011/0296734 A1\* 12/2011 Troy ..... F41G 1/00  
42/135

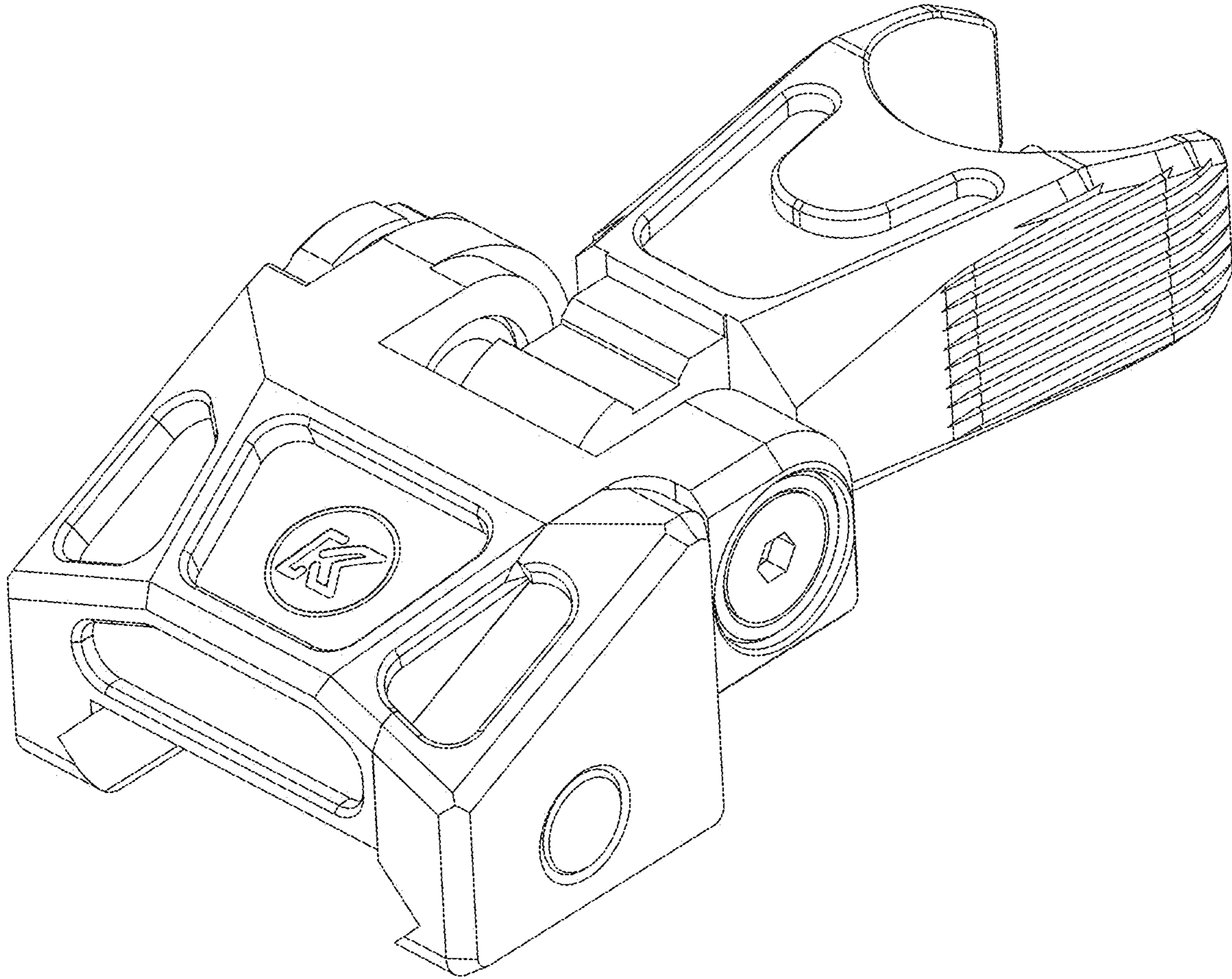
OTHER PUBLICATIONS

“Ozark Armament Micro Flip Up Back Up Iron Sights—Best Military Grade Iron Sight with Metal Construction—Two Aperture Sight for Close and Precision Targets” [online]. Ozark Armament. [Product first available on May 22, 2017]. Retrieved from the Internet: <<https://www.amazon.com/dp/B071746KSB>>.\*

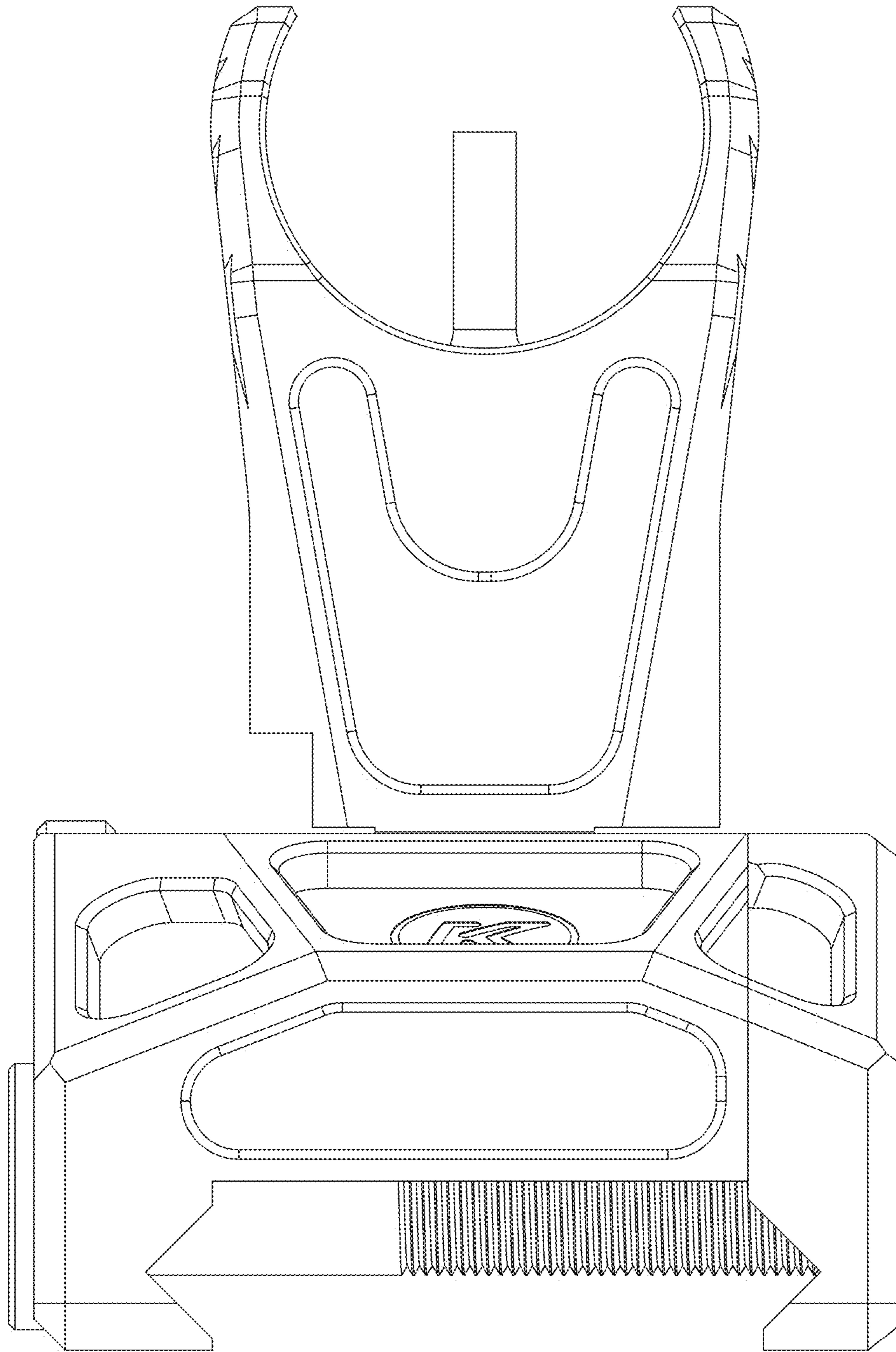
\* cited by examiner



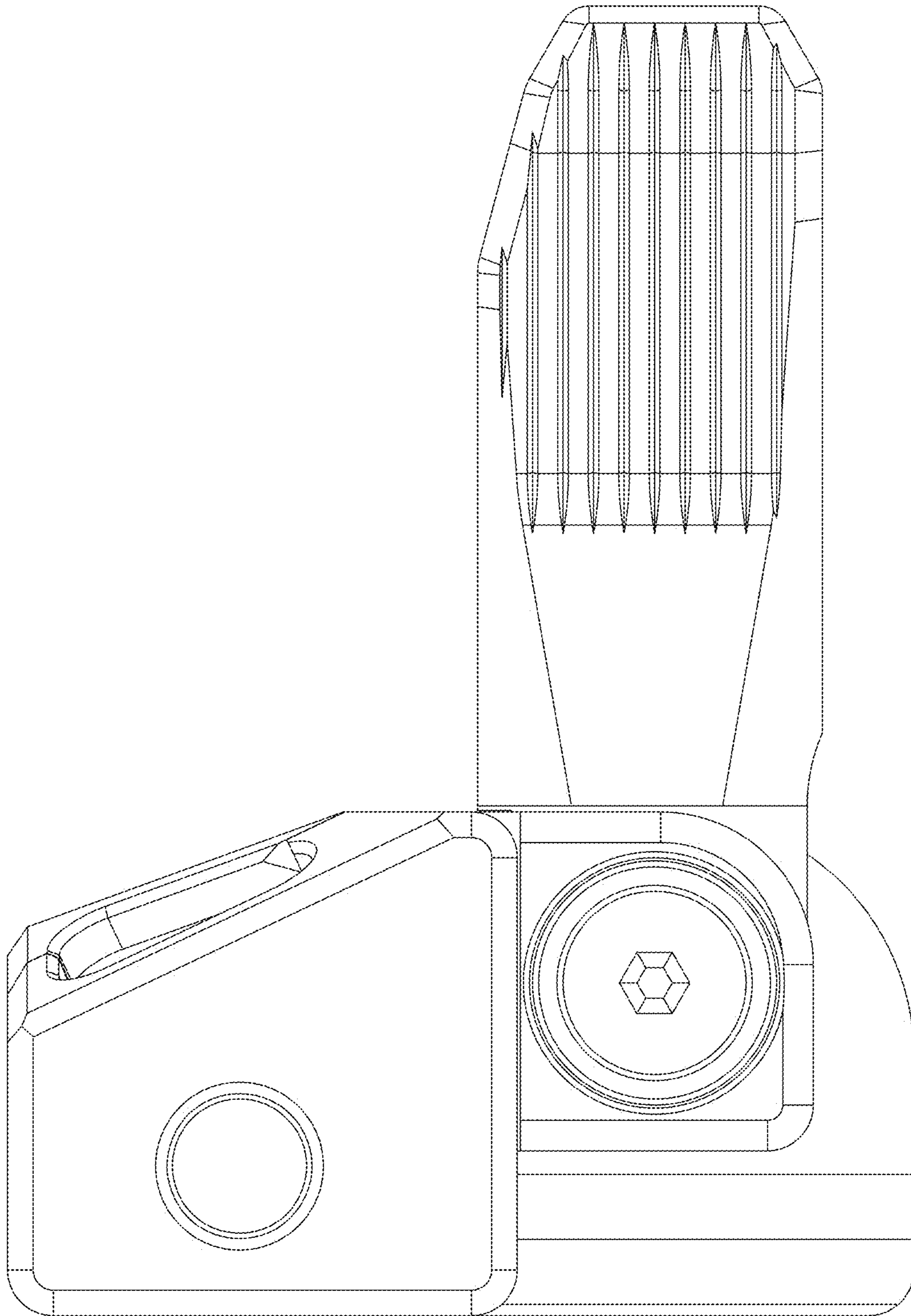
2.1



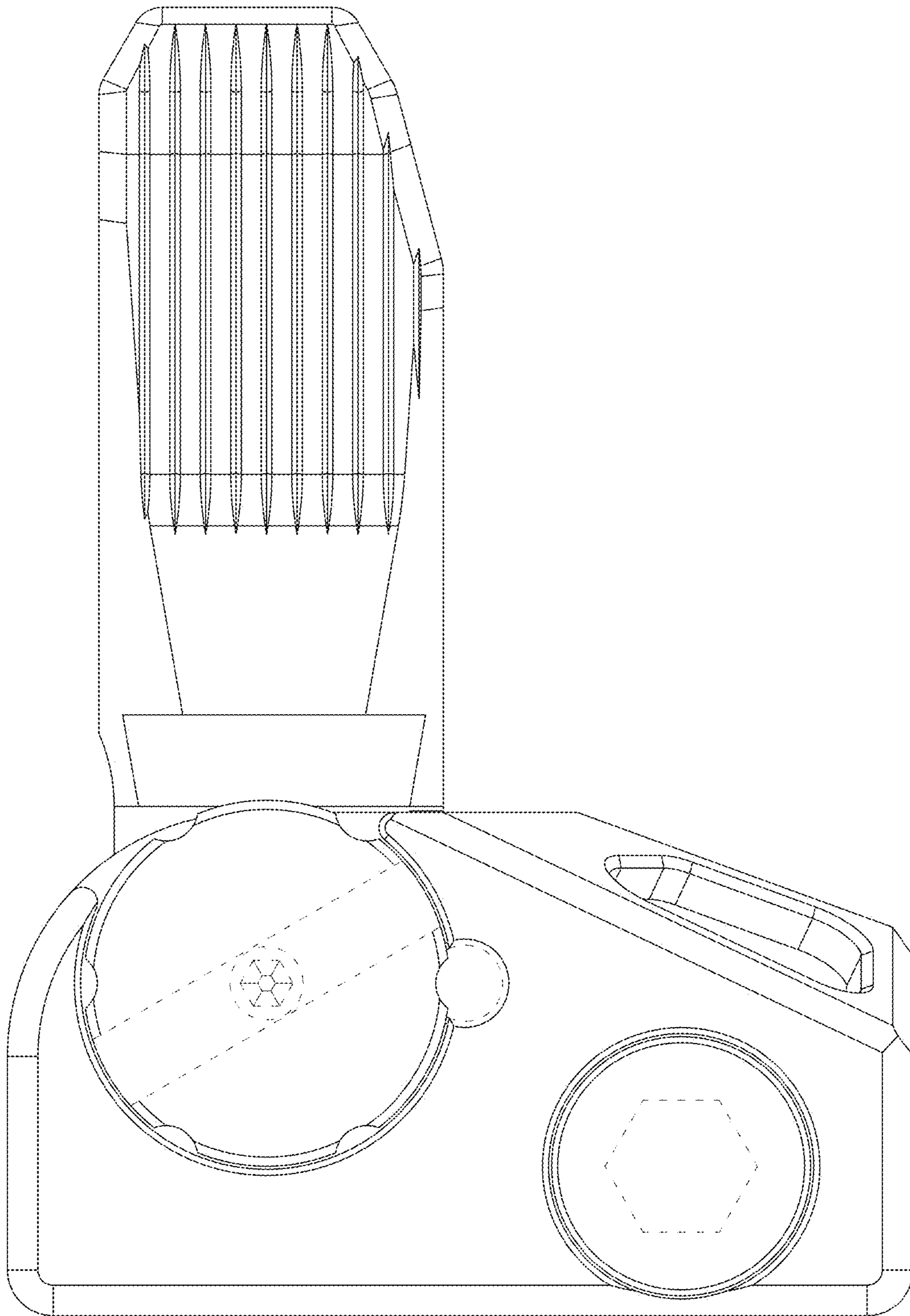
2.2



2.3



2.4



2.5

