



US00D959590S

(12) **United States Design Patent**  
**McKernan**

(10) **Patent No.:** **US D959,590 S**

(45) **Date of Patent:** **\*\* Aug. 2, 2022**

(54) **UNDERWATER MANUALLY LAUNCHED  
MANUALLY SPEARING APPARATUS**

D800,863 S \* 10/2017 Uribe ..... D22/102

\* cited by examiner

(71) Applicant: **Timothy Shawn McKernan**, Miami,  
FL (US)

*Primary Examiner* — S. Bryan Reinholdt, Jr.

(74) *Attorney, Agent, or Firm* — Albert Bordas, P.A.

(72) Inventor: **Timothy Shawn McKernan**, Miami,  
FL (US)

(57) **CLAIM**

(\*\*) Term: **15 Years**

The ornamental design for an underwater manually launched manually spearing apparatus, as shown and described.

(21) Appl. No.: **29/749,216**

(22) Filed: **Sep. 3, 2020**

**DESCRIPTION**

(51) **LOC (13) Cl.** ..... **22-01**

(52) **U.S. Cl.**  
USPC ..... **D22/102**

(58) **Field of Classification Search**  
USPC ..... D22/100, 102, 103, 109, 113, 115, 116  
CPC ..... F41B 7/04; F41B 3/02; F41B 3/005  
See application file for complete search history.

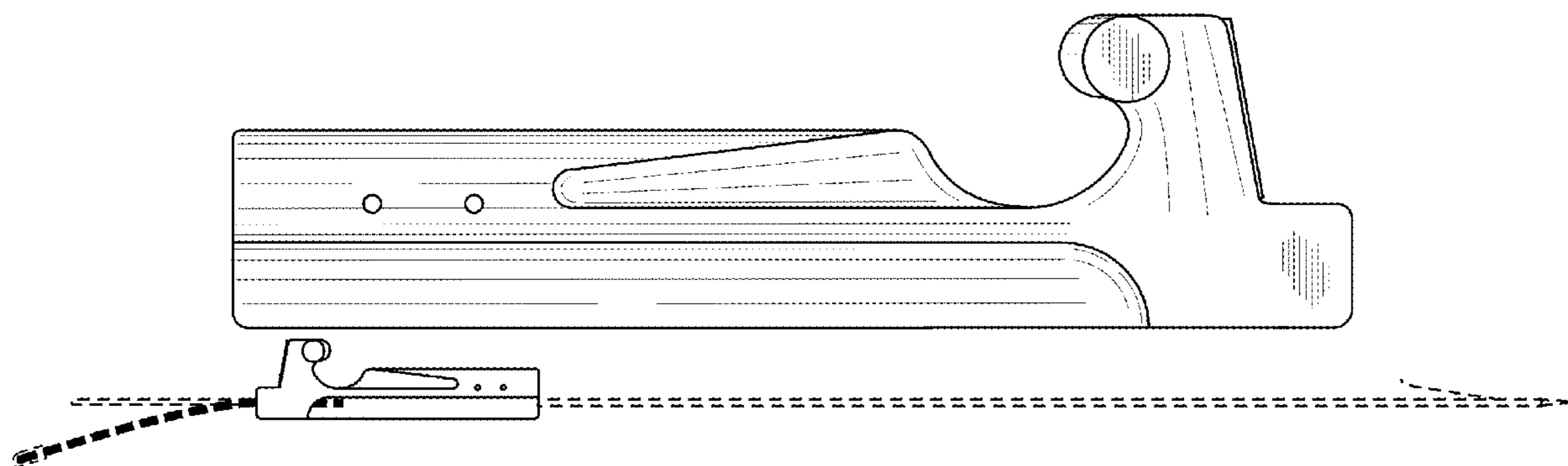
FIG. 1 is a top plan view of an underwater manually launched manually spearing apparatus; FIG. 2 is a front elevational view thereof; FIG. 3 is a bottom view thereof; FIG. 4 is a rear elevational view thereof; FIG. 5 is a right-side elevational view thereof, the left-side elevational view being a mirror image thereto; and, FIG. 6 is a left-side elevational view of the underwater manually launched manually spearing apparatus shown in a use configuration with environment of a spearfishing gun. The broken lines in FIGS. 1 and 4 depict portions of the underwater manually launched manually spearing apparatus that form no part of the claimed design. The broken lines in FIG. 6 depict environment that forms no part of the claim design.

(56) **References Cited**

**U.S. PATENT DOCUMENTS**

- 2,818,849 A \* 1/1958 Woods ..... A01K 81/00  
124/31
- D216,308 S \* 12/1969 Hirsch ..... D22/102
- D219,814 S \* 2/1971 Gaylord ..... D22/102
- 4,971,019 A \* 11/1990 Zacker ..... F41B 7/046  
124/31

**1 Claim, 4 Drawing Sheets**



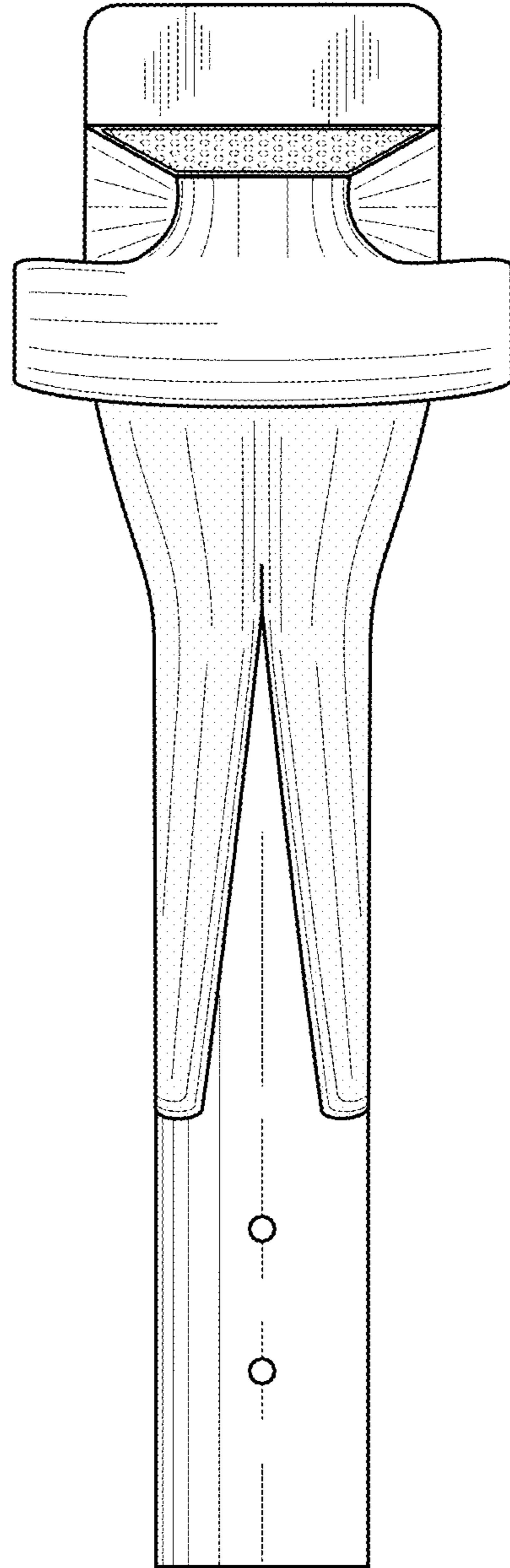


Fig. 1

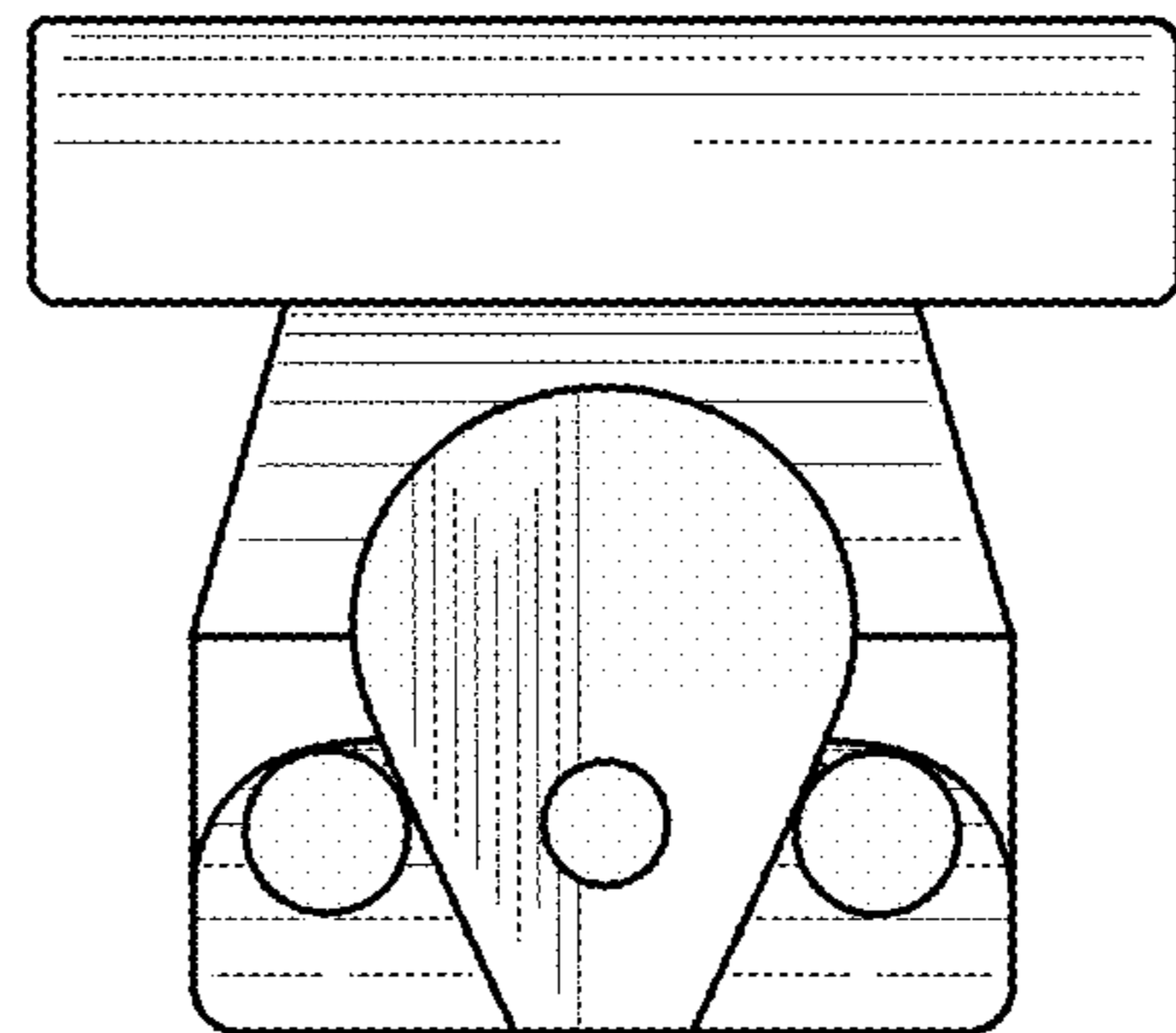
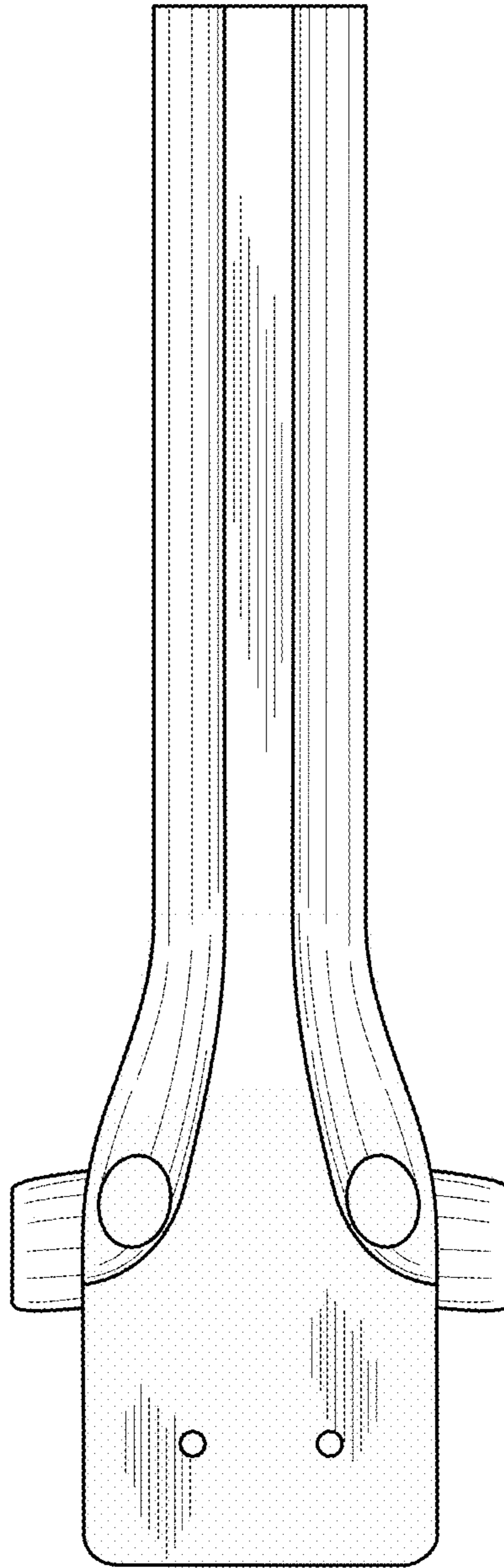


Fig. 2

Fig. 3



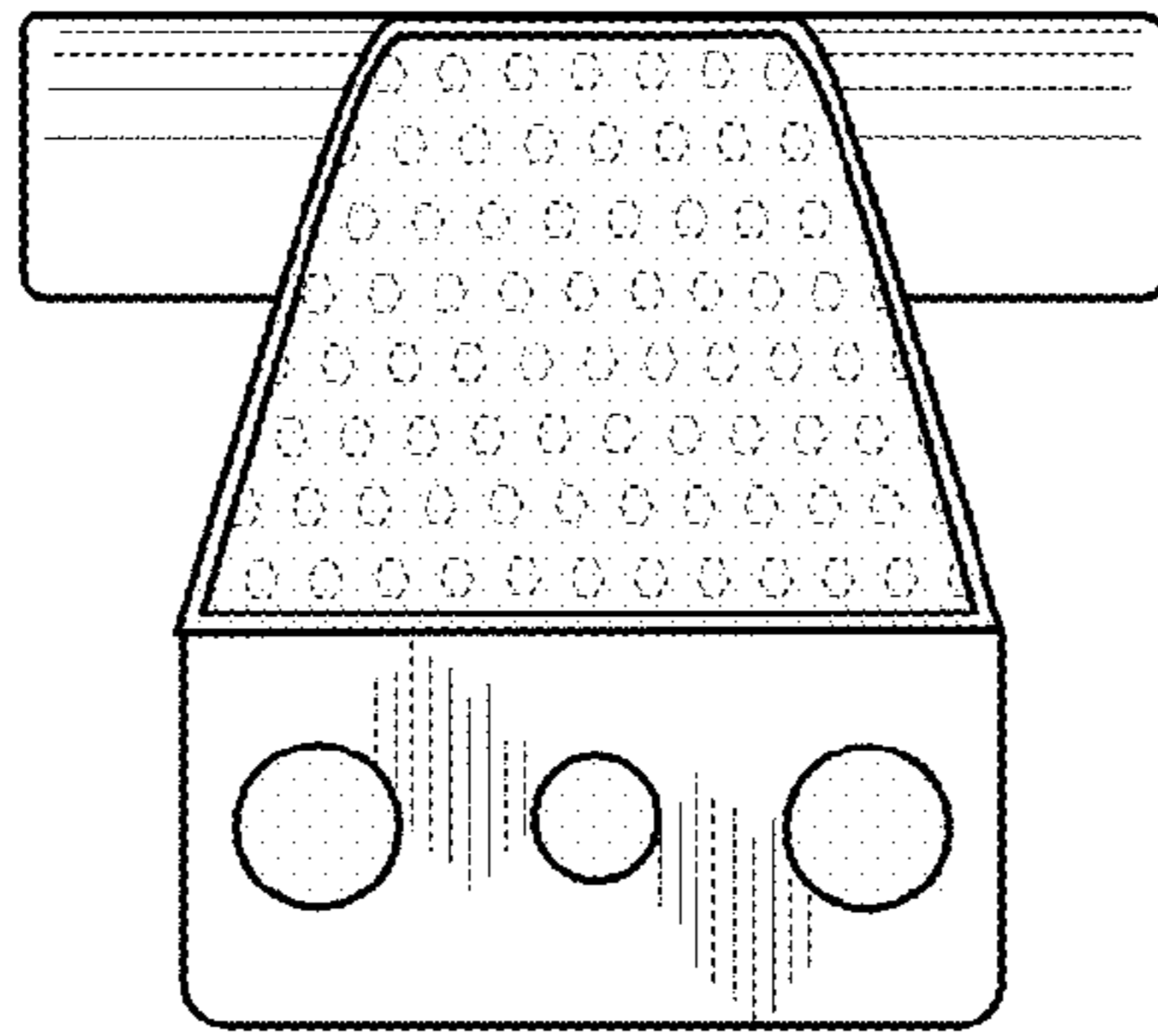


Fig. 4

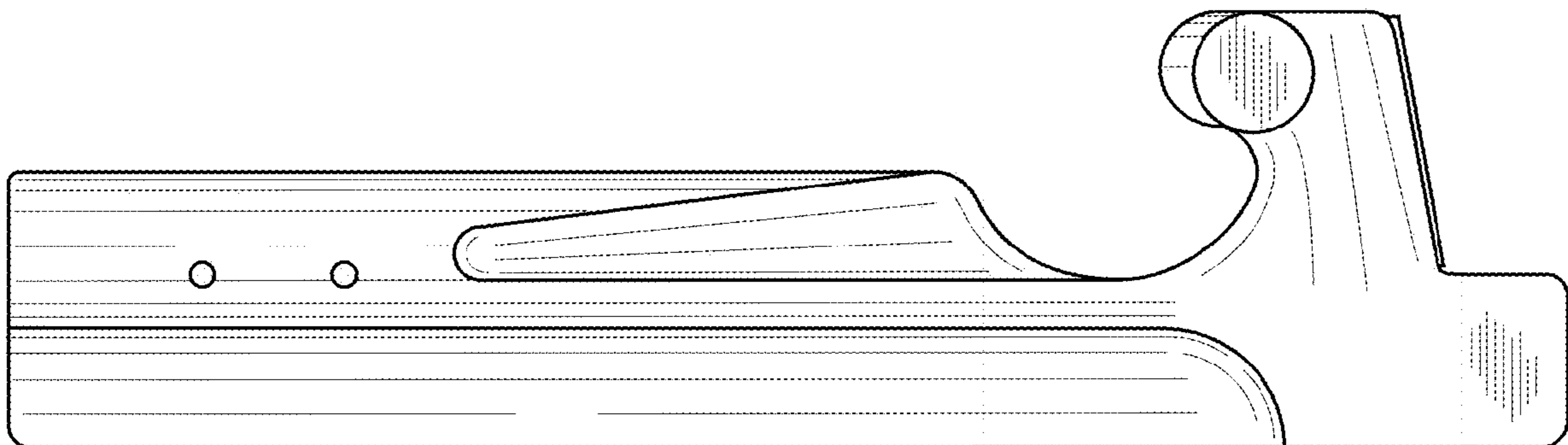


Fig. 5

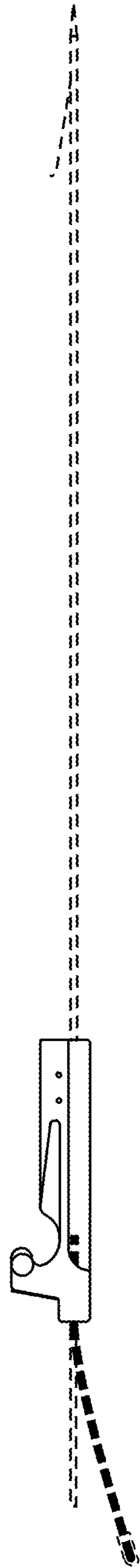


Fig. 6