



US00D959582S

(12) **United States Design Patent** (10) **Patent No.:** **US D959,582 S**  
**Parsons et al.** (45) **Date of Patent:** **\*\* \*Aug. 2, 2022**

(54) **GOLF CLUB HEAD**

(56)

**References Cited**

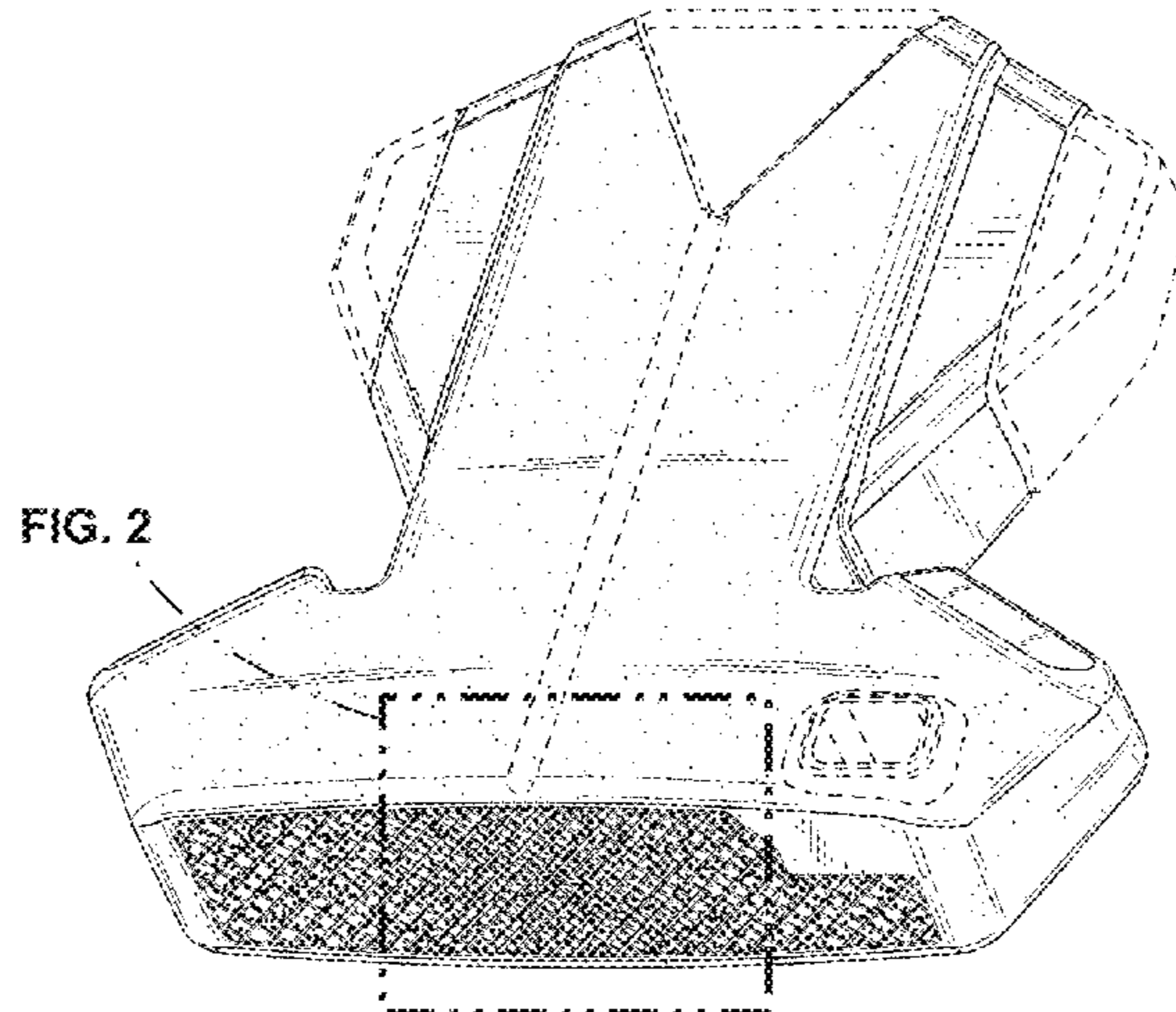
- (71) Applicant: **PARSONS XTREME GOLF, LLC**,  
Scottsdale, AZ (US)
- (72) Inventors: **Robert R. Parsons**, Scottsdale, AZ  
(US); **Matthew T. Andrews**, Scottsdale,  
AZ (US)
- (73) Assignee: **PARSONS XTREME GOLF, LLC**,  
Scottsdale, AZ (US)
- (\*) Notice: This patent is subject to a terminal dis-  
claimer.
- (\*\*) Term: **15 Years**
- (21) Appl. No.: **29/813,631**
- (22) Filed: **Oct. 29, 2021**

U.S. PATENT DOCUMENTS

723,534 A	3/1903	Knight
922,444 A	5/1909	Youds
1,094,599 A	4/1914	Samson
D57,980 S	5/1921	Kraeuter
D63,284 S	11/1923	Challis
RE19,178 E	5/1934	Spiker
4,043,562 A	8/1977	Shillington
D248,783 S	8/1978	Long
4,340,230 A	7/1982	Churchward
D281,092 S	10/1985	Mills
4,754,977 A	7/1988	Sahm
4,869,507 A	9/1989	Sahm
4,964,641 A	10/1990	Miesch et al.
D313,451 S	1/1991	Shearer
D335,317 S	5/1993	Shearer
D335,692 S	5/1993	Antonious
D336,757 S	6/1993	Antonious
5,275,412 A	1/1994	Innes
D350,582 S	9/1994	Miansian et al.
5,390,919 A	2/1995	Stubbs et al.
D356,131 S	3/1995	Trimble
D360,444 S	7/1995	Takahashi et al.
5,429,366 A	7/1995	McCabe
D363,101 S	10/1995	Sturm
D364,665 S	11/1995	Goodrich
D365,864 S	1/1996	Sturm
5,489,097 A	2/1996	Simmons
D368,751 S	4/1996	Rife
D369,393 S	4/1996	Takahashi et al.
5,571,053 A	11/1996	Lane
D378,688 S	4/1997	Cameron
D380,514 S	7/1997	Markley
D385,609 S	10/1997	Cameron
5,683,307 A	11/1997	Rife
D388,143 S	12/1997	Huan-Chiang
D389,207 S	1/1998	Cameron
D398,685 S	9/1998	Masuda
5,807,190 A	9/1998	Krumme et al.
D399,290 S	10/1998	Sizemore, Jr.
D399,911 S	10/1998	Nicolette et al.
5,839,974 A	11/1998	McAllister
D405,836 S	2/1999	Nicolette et al.
D409,701 S	5/1999	Ashcraft et al.
D411,275 S	6/1999	Bottema et al.
5,924,938 A	7/1999	Hines
D415,809 S	10/1999	Bottema et al.
D416,062 S	11/1999	Solheim et al.
D416,969 S	11/1999	Solheim et al.
D416,970 S	11/1999	Solheim et al.

**Related U.S. Application Data**

- (60) Continuation of application No. 29/778,628, filed on  
Apr. 14, 2021, which is a division of application No.  
29/763,585, filed on Dec. 23, 2020, now Pat. No. Des.  
919,722, which is a continuation-in-part of  
application No. 29/760,203, filed on Nov. 30, 2020,  
which is a continuation-in-part of application No.  
29/755,703, filed on Oct. 22, 2020, which is a  
continuation-in-part of application No. 29/748,024,  
filed on Aug. 26, 2020, now abandoned.
- (51) **LOC (13) Cl.** ..... **21-02**
- (52) **U.S. Cl.**  
USPC ..... **D21/736**
- (58) **Field of Classification Search**  
USPC ..... D21/736-746, 759  
CPC ..... A63B 53/00; A63B 53/04; A63B 53/007;  
A63B 53/065; A63B 53/0487; A63B  
60/00; A63B 60/46  
See application file for complete search history.





# US D959,582 S

Page 2

6,007,434 A	12/1999	Baker et al.	7,473,189 B2	1/2009	Schweigert et al.
D421,473 S	3/2000	Solheim et al.	7,491,131 B2	2/2009	Vinton
D422,655 S	4/2000	Hicks	D594,921 S	6/2009	Bettinardi
6,050,903 A	4/2000	Lake	D595,370 S	6/2009	Ines et al.
D426,276 S	6/2000	Besnard et al.	D595,793 S	7/2009	Rollinson
6,089,993 A	7/2000	Woodward et al.	D599,425 S	9/2009	Laub
D429,302 S	8/2000	Antonious	D599,867 S	9/2009	Teramoto
6,110,057 A	8/2000	McKinnon	D600,295 S	9/2009	Meeks
D430,914 S	9/2000	Antonious	D600,762 S	9/2009	Serrano et al.
D431,853 S	10/2000	Antonious	D600,763 S	9/2009	Cameron
D431,854 S	10/2000	Cameron	D601,214 S	9/2009	Serrano et al.
D432,192 S	10/2000	Hicks	D606,139 S	12/2009	Ines et al.
D436,151 S	1/2001	Nicolette et al.	D606,140 S	12/2009	Ramsauer
D437,374 S	2/2001	Cameron	D606,141 S	12/2009	Ramsauer
D441,820 S	5/2001	Nicolette et al.	D606,142 S	12/2009	Ramsauer
D443,668 S	6/2001	Nicolette et al.	D607,951 S	1/2010	Teramoto
D443,905 S	6/2001	Nicolette et al.	D607,952 S	1/2010	Demkowski et al.
D444,833 S	7/2001	Wells et al.	D617,857 S	6/2010	Sones
D444,835 S	7/2001	Wahl et al.	7,744,485 B2	6/2010	Jones et al.
6,257,994 B1	7/2001	Antonious	D620,993 S	8/2010	Laub
6,264,571 B1	7/2001	Lekavich	D621,461 S	8/2010	Serrano et al.
D449,664 S	10/2001	Beebe	D623,709 S	9/2010	Serrano et al.
D449,865 S	10/2001	Fife, Jr. et al.	D631,925 S	2/2011	Broom
D450,799 S	11/2001	Nicolette et al.	7,887,432 B2	2/2011	Jones et al.
D451,973 S	12/2001	Wells et al.	D633,964 S	3/2011	Teramoto
6,348,014 B1	2/2002	Chiu	7,909,707 B2	3/2011	Klein
6,354,959 B1	3/2002	Nicolette et al.	7,918,745 B2	4/2011	Morris et al.
6,394,910 B1	5/2002	McCarthy	7,927,226 B1	4/2011	Twitty
D472,949 S	4/2003	Serrano	D638,891 S	5/2011	Nicolette et al.
D474,821 S	5/2003	Wells et al.	7,942,758 B2	5/2011	Nakamura
D474,949 S	5/2003	Schaffeld et al.	D639,369 S	6/2011	Miyamichi
D482,087 S	11/2003	Burrows	D642,643 S	8/2011	Nicolette et al.
6,652,390 B2	11/2003	Bradford	D643,485 S	8/2011	Nicolette et al.
D483,086 S	12/2003	Schweigert et al.	D643,892 S	8/2011	McGrorty
D486,539 S	2/2004	Burrows	D645,104 S	9/2011	Nicolette et al.
D486,872 S	2/2004	Schweigert et al.	8,096,039 B2	1/2012	Soracco et al.
D488,200 S	4/2004	Olsavsky et al.	D653,718 S	2/2012	Stokke et al.
D490,487 S	5/2004	Burrows	8,109,841 B2	2/2012	Miyamichi
D498,276 S	11/2004	Schweigert et al.	D655,361 S	3/2012	Ramsauer
D500,823 S	1/2005	Aldrich	D661,753 S	6/2012	Cameron et al.
D502,518 S	3/2005	Smart	D666,260 S	8/2012	Cynn
6,902,496 B2	6/2005	Solheim et al.	D672,418 S	12/2012	Rollinson
6,902,498 B2	6/2005	Sullivan et al.	8,328,654 B2	12/2012	Demkowski et al.
D509,273 S	9/2005	Morris et al.	8,371,958 B2	2/2013	Treadwell
D511,801 S	11/2005	Garcia	8,376,878 B2	2/2013	Bennett et al.
D512,114 S	11/2005	Garcia	D688,339 S	8/2013	Hilton et al.
D512,116 S	11/2005	Mirafior et al.	D688,341 S	8/2013	Rollinson
6,988,955 B2	1/2006	Stoakes	D691,226 S	10/2013	Hilton et al.
6,988,956 B2	1/2006	Cover et al.	8,608,590 B2	12/2013	Hackel et al.
D520,088 S	5/2006	Parr	D699,308 S	2/2014	Rollinson
D529,109 S	9/2006	Jones	8,696,492 B1	4/2014	Hocknell et al.
D531,242 S	10/2006	Adams	D704,782 S	5/2014	Rollinson
7,125,341 B1	10/2006	D'Eath	8,721,472 B2	5/2014	Kuan et al.
D532,067 S	11/2006	Soracco et al.	8,790,193 B2	7/2014	Serrano et al.
7,153,220 B2	12/2006	Lo	D711,483 S	8/2014	Wong
D534,595 S	1/2007	Hasebe	D715,388 S	10/2014	Serrano et al.
7,156,752 B1	1/2007	Bennett	D722,350 S	2/2015	Schweigert
D536,401 S	2/2007	Kawami	D722,351 S	2/2015	Parsons et al.
D536,403 S	2/2007	Kawami	D722,352 S	2/2015	Nicolette et al.
D537,898 S	3/2007	Kuan et al.	D723,120 S	2/2015	Nicolette
D538,371 S	3/2007	Kawami	D724,164 S	3/2015	Schweigert et al.
7,204,765 B2	4/2007	Cover et al.	D725,208 S	3/2015	Schweigert
D542,869 S	5/2007	Adams	D726,265 S	4/2015	Nicolette
D543,598 S	5/2007	Kuan et al.	D726,846 S	4/2015	Schweigert
D543,601 S	5/2007	Kawami	D730,462 S	5/2015	Becktor et al.
D555,219 S	11/2007	Lin	D732,122 S	6/2015	Becktor
D556,277 S	11/2007	Broom	D732,618 S	6/2015	Becktor et al.
7,309,297 B1	12/2007	Solari	D733,234 S	6/2015	Nicolette
D561,854 S	2/2008	Morris	D735,283 S	7/2015	Solheim et al.
7,331,876 B2	2/2008	Klein	9,108,088 B2	8/2015	Serrano et al.
D565,137 S	3/2008	Oldknow et al.	D738,447 S	9/2015	Schweigert
7,351,162 B2	4/2008	Soracco et al.	D738,449 S	9/2015	Schweigert
D569,461 S	5/2008	Morris	D739,487 S	9/2015	Schweigert
D569,930 S	5/2008	Nehrbas	D741,426 S	10/2015	Schweigert
7,396,289 B2	7/2008	Soracco et al.	D746,926 S	1/2016	Parsons et al.
D577,086 S	9/2008	Nicolette et al.	D748,213 S	1/2016	Parsons et al.
D579,506 S	10/2008	Nicolette et al.	D748,215 S	1/2016	Parsons et al.
D579,995 S	11/2008	Nicolette et al.	9,233,283 B2	1/2016	Schweigert
D582,497 S	12/2008	Rollinson	9,265,996 B1	2/2016	Abbott et al.



D752,697 S	3/2016	Claveran	
D753,252 S	4/2016	Schweigert	
9,440,124 B2	9/2016	Parsons et al.	
9,498,685 B2	11/2016	Abbott et al.	
9,566,484 B1	2/2017	Abbott et al.	
D783,745 S *	4/2017	Chen .....	D21/743
D791,254 S	7/2017	Ramsauer	
D791,891 S	7/2017	Davis	
D794,146 S	8/2017	Davis	
D798,975 S	10/2017	Becktor	
D798,976 S	10/2017	Becktor	
D798,977 S	10/2017	Becktor	
D798,978 S	10/2017	Becktor	
D798,979 S	10/2017	Becktor	
D798,980 S	10/2017	Becktor	
D798,981 S	10/2017	Becktor et al.	
D799,619 S	10/2017	Becktor et al.	
D802,073 S	11/2017	Toulon	
D809,616 S	2/2018	Toulon et al.	
D812,163 S	3/2018	Kroloff	
9,987,530 B2	6/2018	Jertson et al.	
D824,462 S	7/2018	Bruschi et al.	
D827,742 S	9/2018	Weaver	
D835,217 S *	12/2018	Nicolette .....	D21/736
D837,911 S	1/2019	Bruschi et al.	
10,173,105 B2	1/2019	Myers et al.	
D839,977 S	2/2019	Rollinson et al.	
D844,085 S *	3/2019	Nicolette .....	D21/743
D844,723 S *	4/2019	Nicolette .....	D21/743
D859,545 S	9/2019	Long	
D861,091 S	9/2019	Glorioso et al.	
D877,831 S *	3/2020	Cameron .....	D21/736
D892,243 S	8/2020	Rollinson et al.	
D895,037 S *	9/2020	Clarke .....	D21/736
D896,328 S	9/2020	Clarke et al.	
D907,730 S *	1/2021	Rollinson .....	D21/759
D909,504 S *	2/2021	Schweigert .....	D21/736
D919,722 S *	5/2021	Parsons .....	D21/736
D931,962 S *	9/2021	Wang .....	D21/743
D944,348 S *	2/2022	Kim .....	D21/743
D945,542 S *	3/2022	Andrews .....	D21/736
2004/0138003 A1	7/2004	Grace	
2004/0180730 A1	9/2004	Franklin et al.	
2006/0052178 A1	3/2006	Franklin et al.	
2006/0094522 A1	5/2006	Tang et al.	
2006/0223649 A1	10/2006	Rife	
2007/0129163 A1	6/2007	Solari	
2007/0135229 A1	6/2007	Lo et al.	
2007/0142122 A1	6/2007	Bonneau	
2007/0207875 A1	9/2007	Kuan et al.	
2007/0238548 A1	10/2007	Johnson	
2008/0139333 A1	6/2008	Klein	
2008/0146372 A1	6/2008	John	
2008/0176672 A1	7/2008	Roach et al.	
2009/0029800 A1	1/2009	Jones et al.	
2010/0255922 A1	10/2010	Lueders	
2011/0165959 A1	7/2011	Klein	
2013/0165256 A1	6/2013	Stevenson	
2013/0210537 A1	8/2013	Ainscough et al.	
2015/0057100 A1	2/2015	Serrano et al.	

2015/0258390 A1	9/2015	DeFrancesco, Jr.
2015/0306477 A1	10/2015	Parsons et al.
2016/0016050 A1	1/2016	Rife
2016/0346649 A1	12/2016	Jertson et al.
2018/0001163 A1	1/2018	Becktor et al.
2018/0311545 A1	11/2018	Lambeth et al.

FOREIGN PATENT DOCUMENTS

JP	2004223184 A	8/2004
JP	2005160691 A	6/2005
KR	20100065481 A	6/2010
KR	101773069 B1	8/2017

OTHER PUBLICATIONS

Plugged In Golf (2015 Bettinardi Putters Review) [online]. Mar. 3, 2015 [retrieve Nov. 25, 2019] Retrieve from the internet: URL: <https://pluggedingolf.com/2015-bettinardi-putters-review/>.  
 FourSpecGolf (Gold's Factory Multi Weighted Custom Putter), Published Nov. 20, 2010 [http://blog.tourspecgolf.com/golds-factory-multi-weighted-custom-putter/]. Retrieved May 17, 2020.  
 U.S. Appl. No. 29/523,587, Schweigert, "Golf Club Head," filed Apr. 10, 2015.

\* cited by examiner

Primary Examiner — Mitchell I. Siegel

(57) CLAIM

The ornamental design for a golf club head, as shown and described.

DESCRIPTION

FIG. 1 is a top perspective view of a golf club head;  
 FIG. 2 is an enlarged view of a portion of the golf club head of FIG. 1 specified by a box outline;  
 FIG. 3 is a front elevational view of the golf club head of FIG. 1;  
 FIG. 4 is a rear elevational view of the golf club head of FIG. 1;  
 FIG. 5 is a top view of the golf club head of FIG. 1;  
 FIG. 6 is a bottom view of the golf club head of FIG. 1;  
 FIG. 7 is a left side view of the golf club head of FIG. 1; and,  
 FIG. 8 is a right side view of the golf club head of FIG. 1.  
 The broken lines shown on the drawings form no part of the claimed design. The dash-dotted lines are included as boundary lines and form no part of the claimed design. Portions of the golf club head are stippled heavier and lighter to illustrate contrasting surfaces.

1 Claim, 4 Drawing Sheets

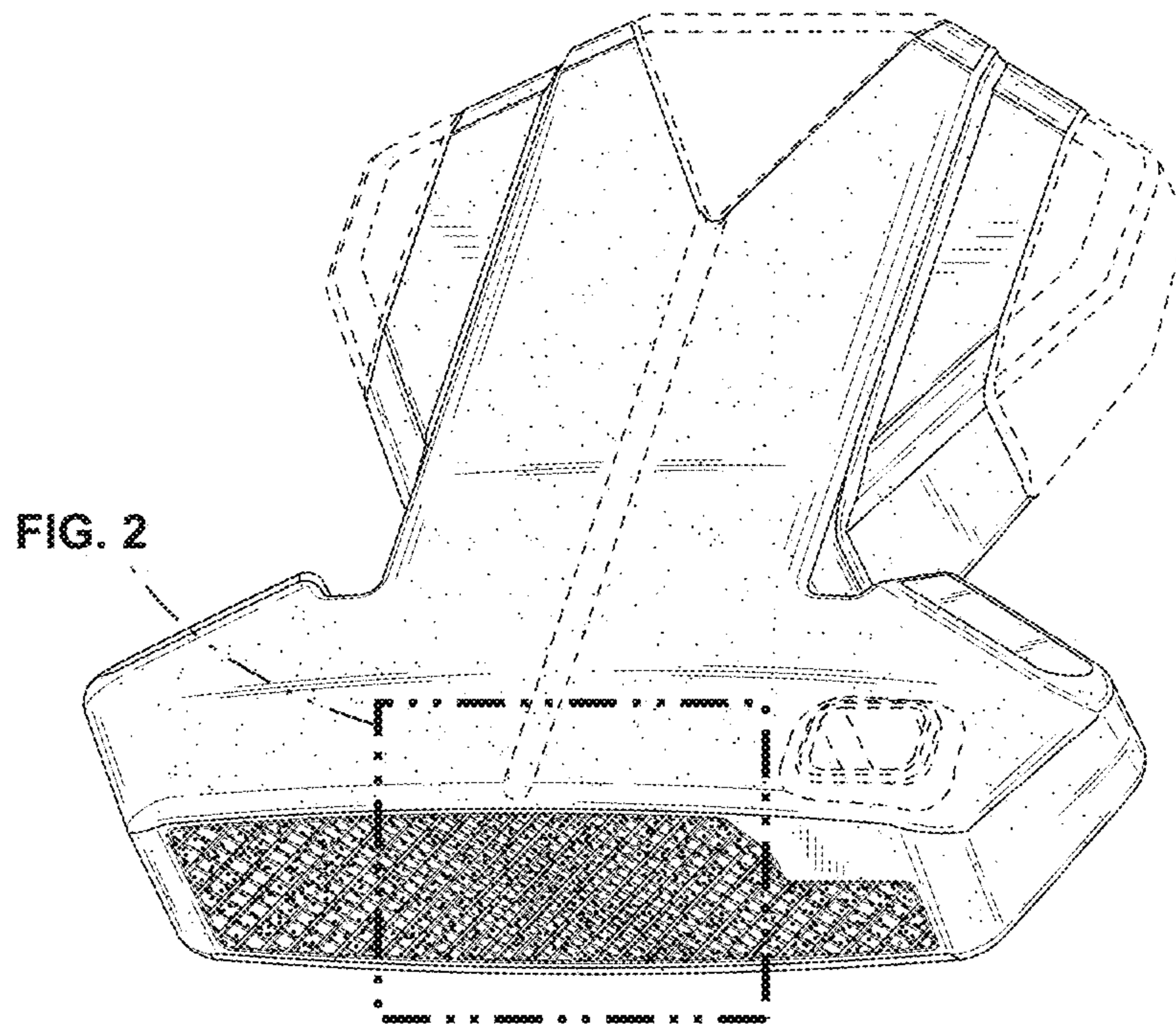


FIG. 1

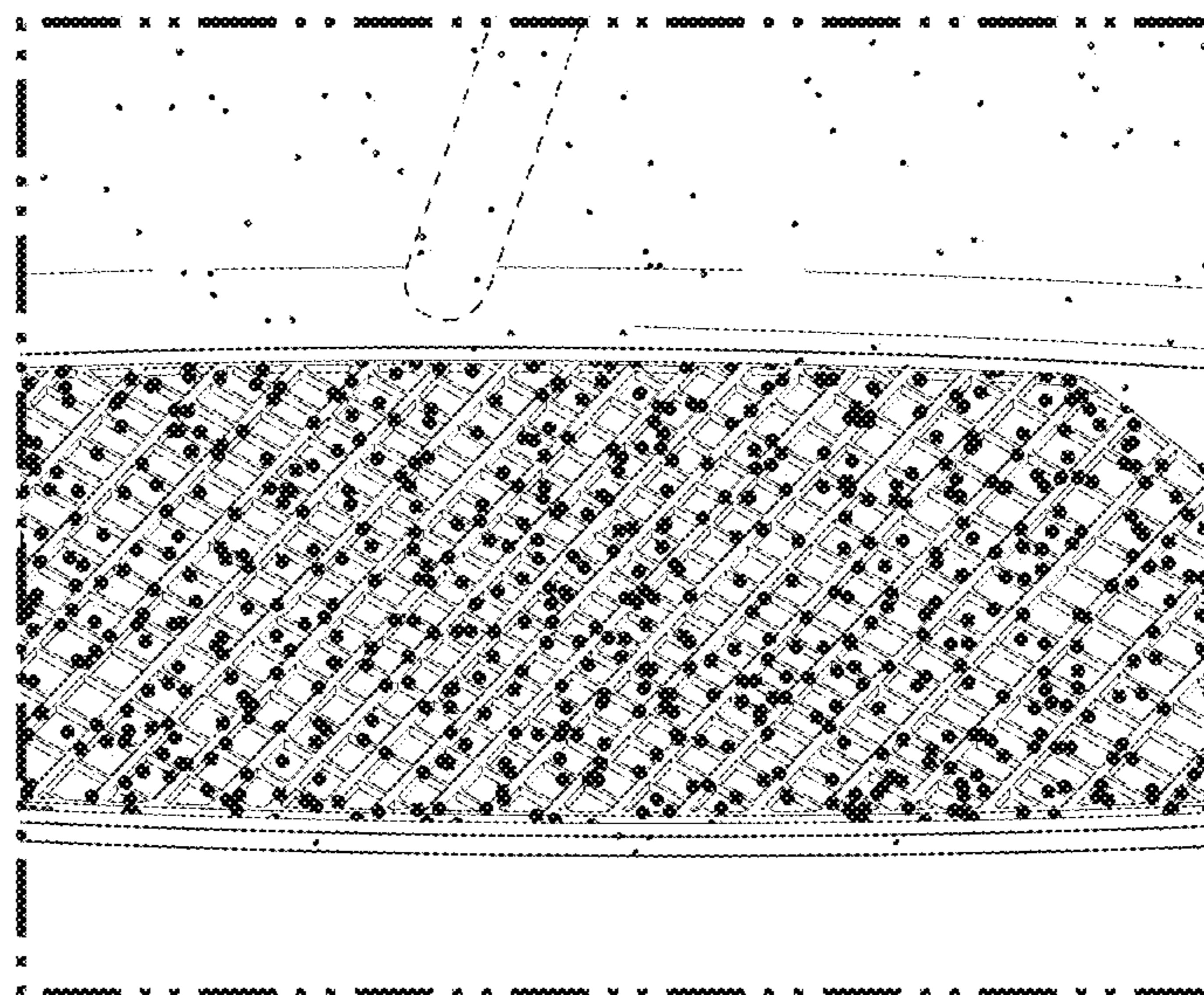
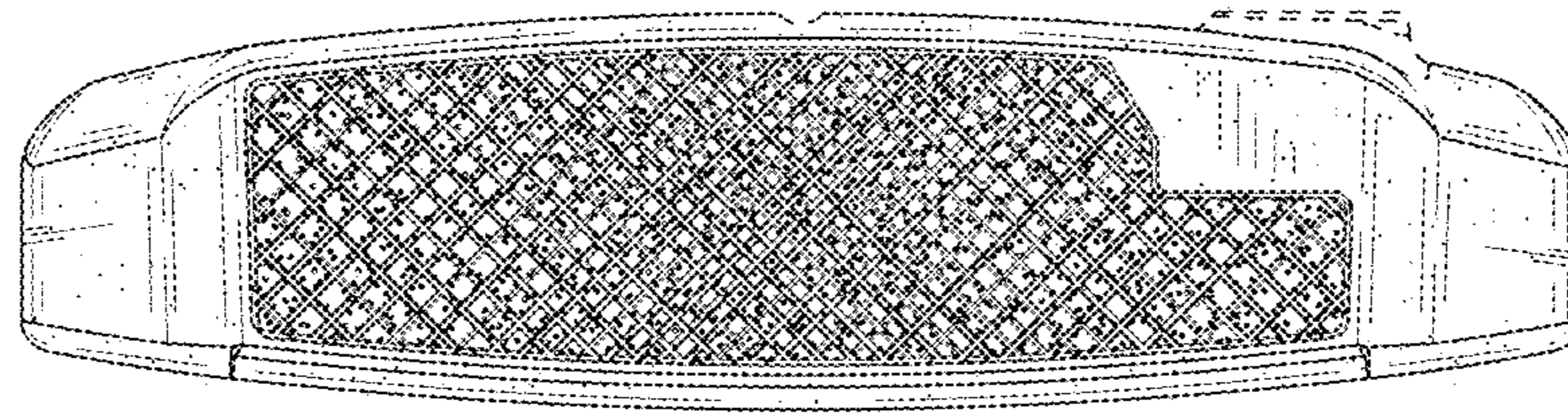
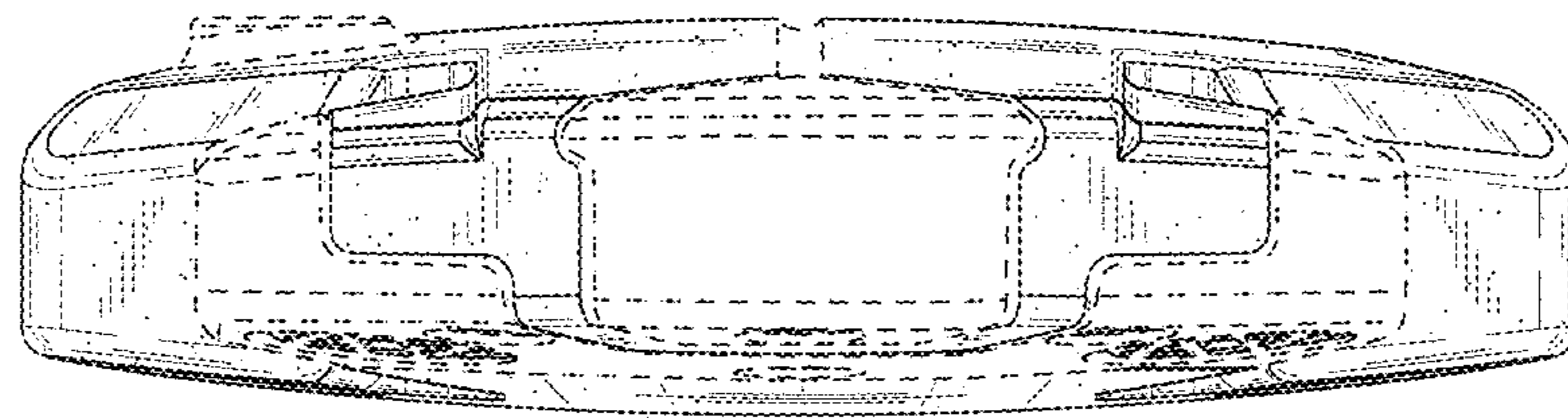


FIG. 2

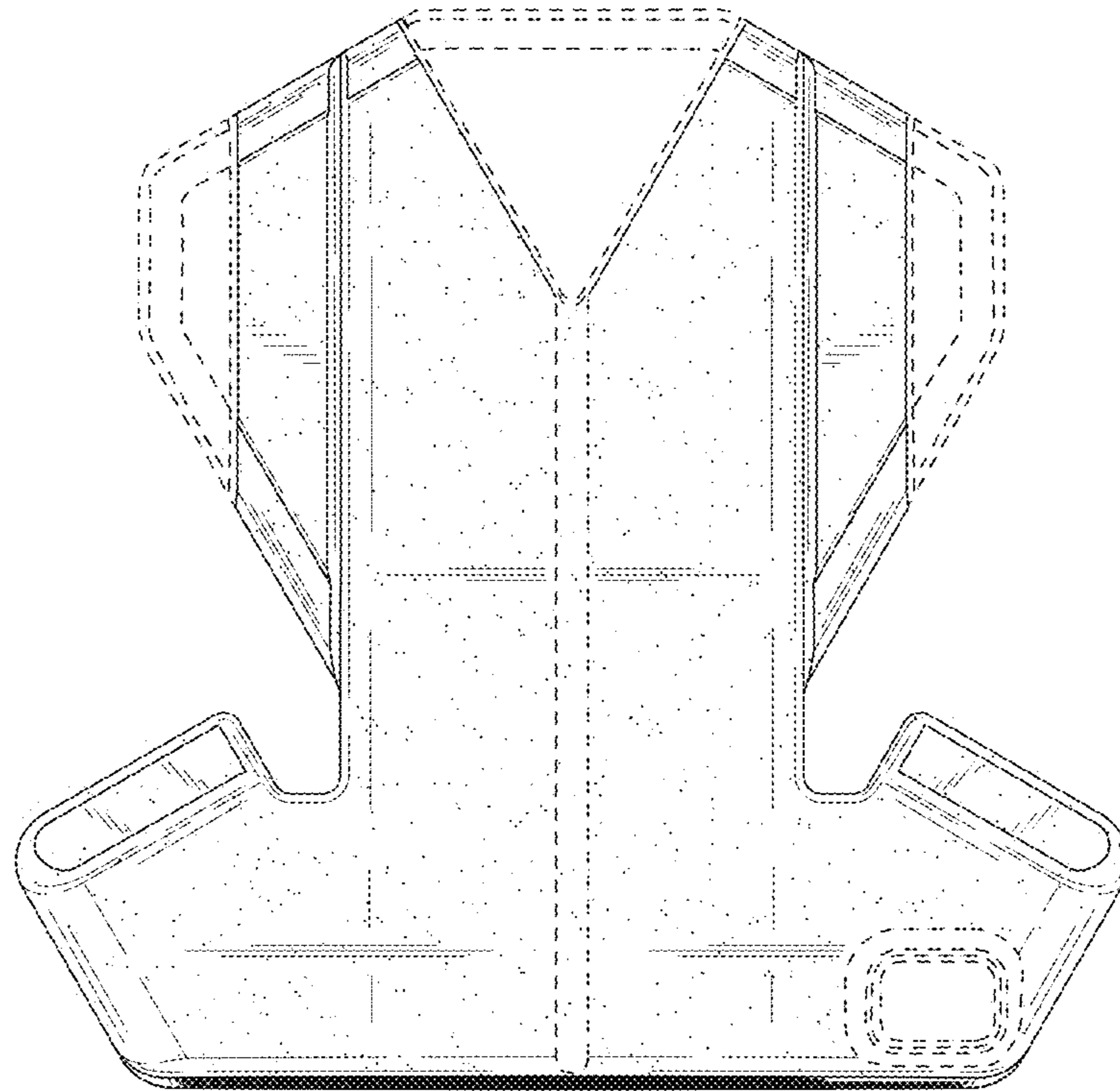




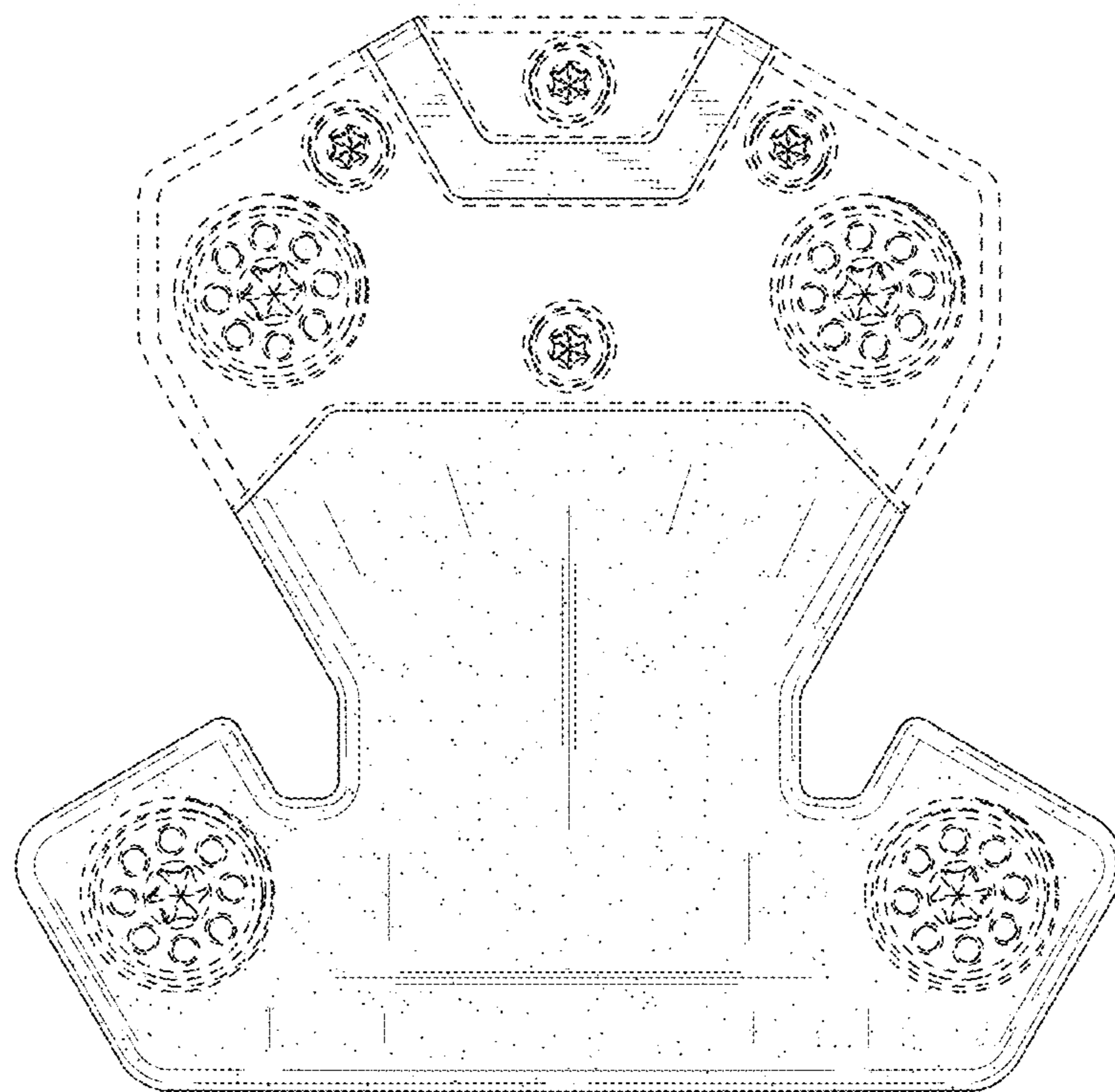
**FIG. 3**



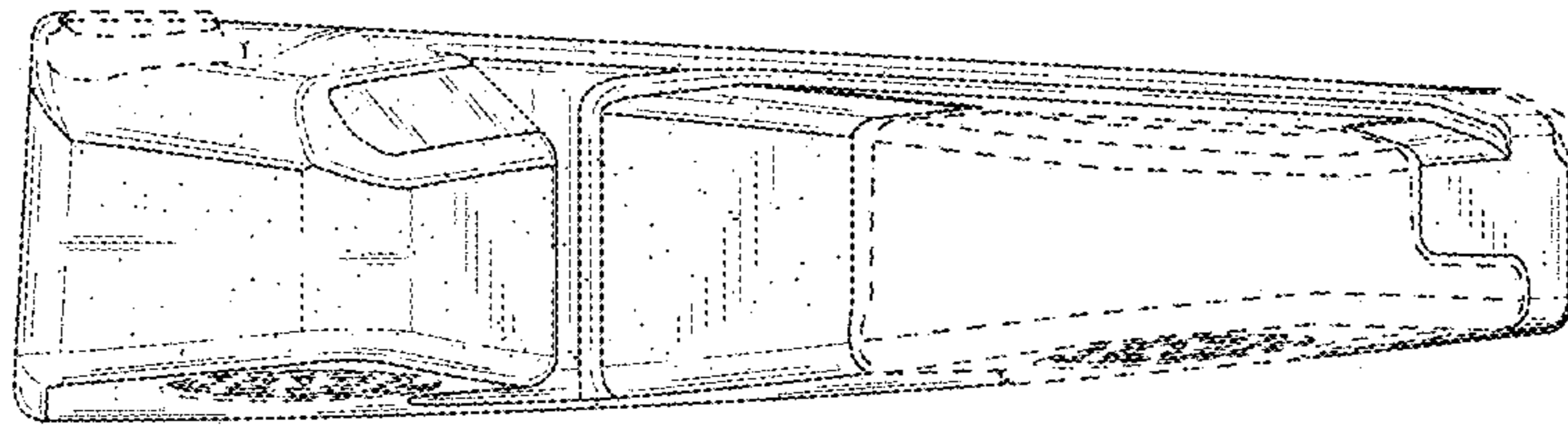
**FIG. 4**



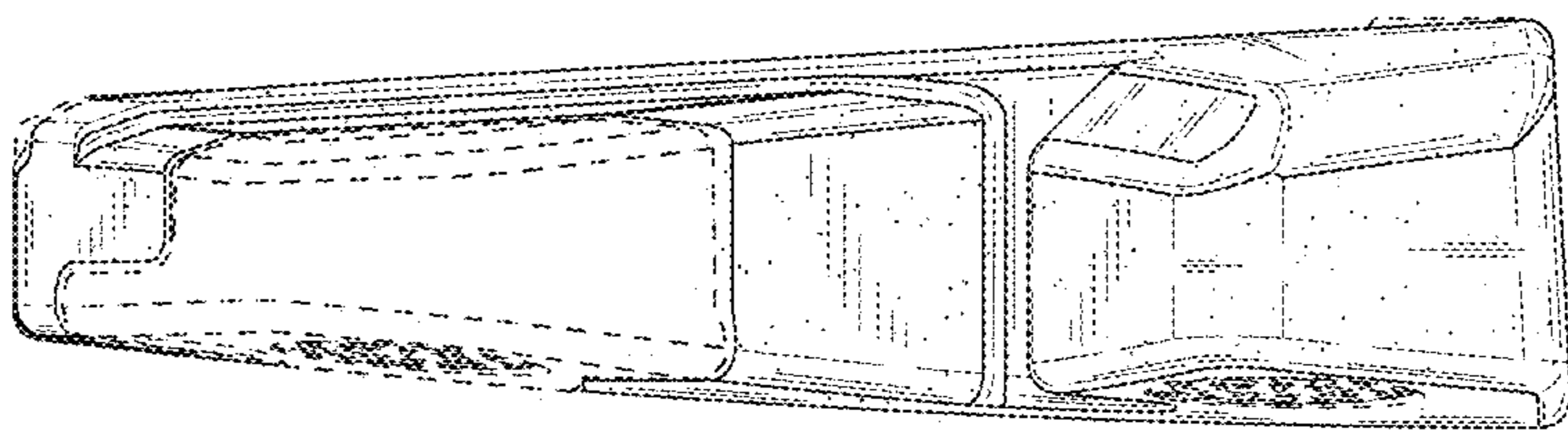
**FIG. 5**



**FIG. 6**



**FIG. 7**



**FIG. 8**