



US00D959580S

(12) **United States Design Patent** (10) **Patent No.:** **US D959,580 S**  
**Lagree** (45) **Date of Patent:** **\*\* Aug. 2, 2022**

- (54) **EXERCISE MACHINE**
- (71) Applicant: **Lagree Technologies, Inc.**, Chatsworth, CA (US)
- (72) Inventor: **Sebastien Anthony Louis Lagree**, Chatsworth, CA (US)
- (73) Assignee: **Lagree Technologies, Inc.**, Chatsworth, CA (US)
- (\*\*) Term: **15 Years**
- (21) Appl. No.: **29/829,043**
- (22) Filed: **Mar. 2, 2022**

D362,700 S 9/1995 Breibart  
 5,518,483 A 5/1996 Oswald  
 D382,319 S 8/1997 Gerschefske  
 (Continued)

**FOREIGN PATENT DOCUMENTS**

WO 2004096376 A1 11/2004

**OTHER PUBLICATIONS**

Balanced body, announced 2010 [online], [site visited May 3, 2022]. Available on internet, URL:https://www.amazon.com/Total-Gym-Fitness-Dynamic-Abdominal/dp/B0743HWSGD/ref=sr\_1\_16?dchild=1&keywords=CORE+TRAINER&qid=1634594852&sr=8-16 (Year: 2010).\*

(Continued)

*Primary Examiner* — Khawaja Anwar  
*Assistant Examiner* — Julice Seung Eun Oum  
 (74) *Attorney, Agent, or Firm* — Neustel Law Offices

**Related U.S. Application Data**

- (63) Continuation of application No. 29/728,053, filed on Mar. 16, 2020, now Pat. No. Des. 946,094.
- (51) **LOC (13) Cl.** ..... **21-02**
- (52) **U.S. Cl.**  
USPC ..... **D21/686**
- (58) **Field of Classification Search**  
USPC ..... D21/687, 690, 662, 665, 676, 695, 686,  
D21/674, 694, 692  
See application file for complete search history.

(57) **CLAIM**

The ornamental design for an exercise machine, as shown and described.

**DESCRIPTION**

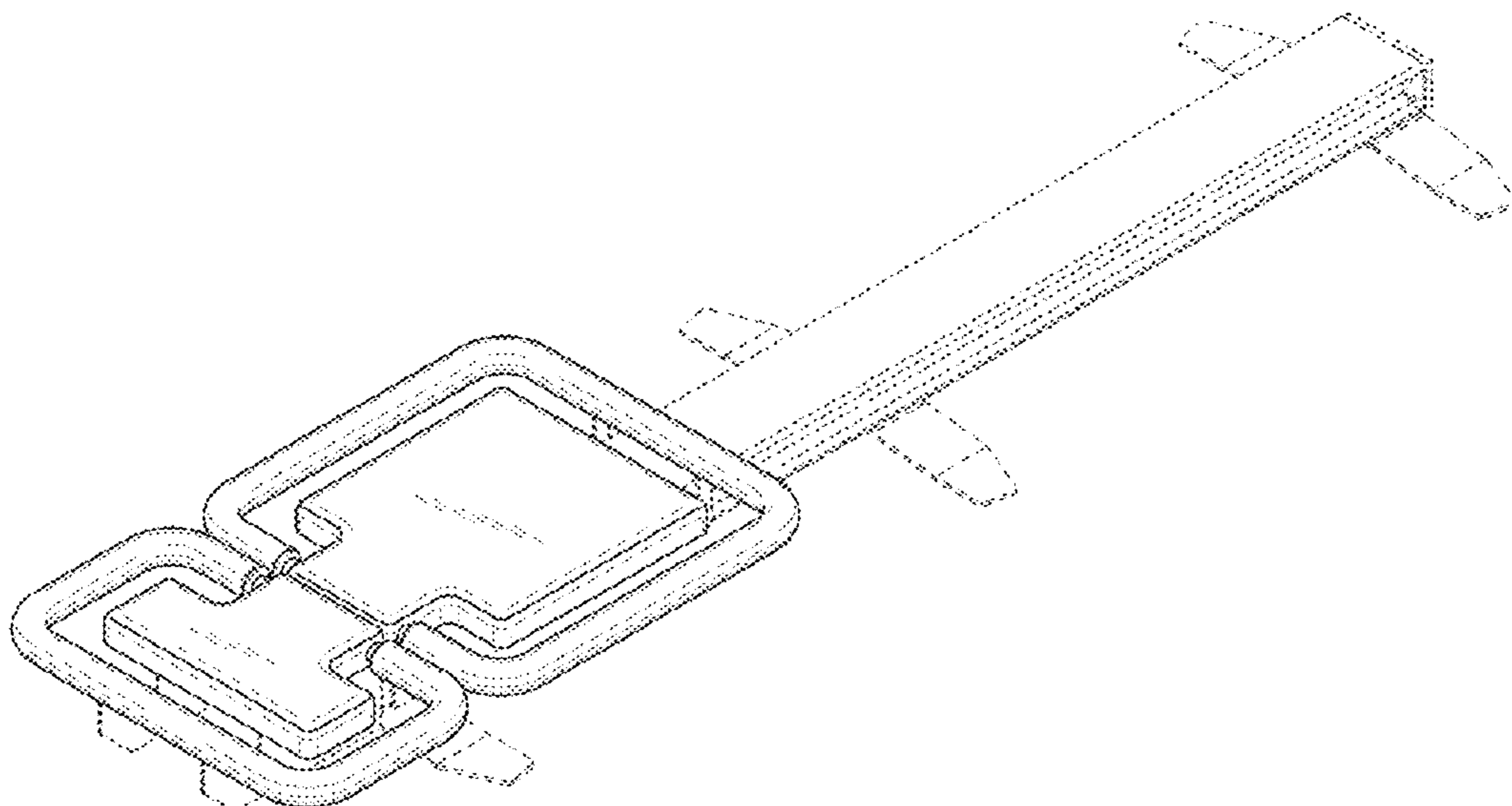
FIG. 1 is a rear perspective view of an exercise machine showing my new design;  
 FIG. 2 is a front perspective view thereof;  
 FIG. 3 is a top view thereof;  
 FIG. 4 is a bottom view thereof;  
 FIG. 5 is a left view thereof;  
 FIG. 6 is a right view thereof;  
 FIG. 7 is a front view thereof; and,  
 FIG. 8 is a rear view thereof.  
 The broken line portions of the drawings are included to show unclaimed subject matter and form no part of the claimed design.

**1 Claim, 5 Drawing Sheets**

(56) **References Cited**

**U.S. PATENT DOCUMENTS**

- 1,621,477 A 8/1925 Pilates
- 3,394,934 A \* 7/1968 Elia ..... A63B 22/0076  
482/95
- 3,770,267 A 11/1973 McCarthy
- D272,376 S 1/1984 Cunnington
- D277,304 S 1/1985 Smith
- 4,759,540 A 7/1988 Yu
- 4,798,378 A 1/1989 Jones
- 4,974,832 A 12/1990 Dalebout
- 5,066,005 A 11/1991 Luecke
- 5,263,913 A 11/1993 Boren
- D352,534 S 11/1994 Dreibelbis



(56)

**References Cited**

U.S. PATENT DOCUMENTS

5,681,249	A	10/1997	Endelman	2016/0346593	A1	12/2016	Lagree
5,885,197	A	3/1999	Barton	2016/0361602	A1	12/2016	Lagree
5,967,955	A	10/1999	Westfall	2017/0014664	A1	1/2017	Lagree
6,179,753	B1	1/2001	Barker	2017/0014672	A1	1/2017	Lagree
D483,082	S *	12/2003	Toole ..... D21/673	2017/0036057	A1	2/2017	Lagree
7,163,500	B2	1/2007	Endelman	2017/0036061	A1	2/2017	Lagree
7,803,095	B1	9/2010	Lagree	2017/0043210	A9	2/2017	Lagree
7,931,570	B2	4/2011	Hoffman	2017/0065846	A1	3/2017	Lagree
8,249,714	B1	8/2012	Hartman	2017/0072252	A1	3/2017	Lagree
D691,678	S	10/2013	Cardillo	2017/0087397	A1	3/2017	Lagree
D694,347	S	11/2013	Campanaro	2017/0100625	A1	4/2017	Lagree
8,585,554	B2	11/2013	Shavit	2017/0100629	A1	4/2017	Lagree
D726,263	S *	4/2015	Anderson ..... D21/676	2017/0106232	A1	4/2017	Lagree
D734,409	S	7/2015	Campanaro	2017/0113091	A1	4/2017	Lagree
D741,420	S	10/2015	Campanaro	2017/0120101	A1	5/2017	Lagree
D788,861	S	6/2017	Campanaro	2017/0144013	A1	5/2017	Lagree
9,919,181	B1 *	3/2018	Lee ..... A63B 21/4047	2017/0157452	A1	6/2017	Lagree
10,046,193	B1	8/2018	Aronson	2017/0157458	A1	6/2017	Lagree
10,118,067	B2 *	11/2018	Lagree ..... A63B 71/0622	2017/0165518	A1	6/2017	Lagree
D845,036	S *	4/2019	Magno ..... D21/694	2017/0165555	A1	6/2017	Lagree
10,300,328	B2	5/2019	Lagree	2017/0189740	A1	7/2017	Lagree
10,940,359	B2	3/2021	Lagree	2017/0189741	A1	7/2017	Lagree
10,957,218	B1 *	3/2021	Lagree ..... G09B 5/06	2017/0209728	A1	7/2017	Lagree
11,123,257	B2	9/2021	Crocco	2017/0239526	A1	8/2017	Lagree
D933,764	S *	10/2021	Modeste ..... D21/690	2017/0246491	A1	8/2017	Lagree
2001/0056011	A1	12/2001	Endelman	2017/0246499	A1	8/2017	Lagree
2003/0119635	A1	6/2003	Arbuckle	2017/0296865	A1	10/2017	Lagree
2005/0130810	A1	6/2005	Sands	2017/0304673	A1	10/2017	Lagree
2005/0164856	A1	7/2005	Parmater	2017/0326406	A1	11/2017	Lagree
2006/0046914	A1	3/2006	Endelman	2017/0340947	A1	11/2017	Lagree
2006/0199712	A1	9/2006	Barnard	2017/0354840	A1	12/2017	Lagree
2007/0087921	A1	4/2007	Graham	2018/0015319	A1	1/2018	Lagree
2008/0070765	A1	3/2008	Brown	2018/0021621	A1	1/2018	Lagree
2008/0248935	A1	10/2008	Solow	2018/0021655	A1	1/2018	Lagree
2010/0227748	A1	9/2010	Campanaro	2018/0036583	A1	2/2018	Lagree
2011/0143898	A1	6/2011	Trees	2018/0056109	A1	3/2018	Lagree
2011/0166002	A1	7/2011	Savsek	2018/0056133	A1	3/2018	Lagree
2011/0172069	A1	7/2011	Gerschefske	2018/0111020	A1	4/2018	Lagree
2012/0190503	A1 *	7/2012	Shavit ..... A63B 24/0062 482/5	2018/0111033	A1	4/2018	Lagree
2012/0295771	A1	11/2012	Lagree	2018/0117392	A1	5/2018	Lagree
2013/0196835	A1	8/2013	Solow	2018/0133532	A1	5/2018	Lagree
2014/0011645	A1	1/2014	Johnson	2018/0133533	A1	5/2018	Lagree
2014/0100089	A1	4/2014	Kermath	2018/0133534	A1	5/2018	Lagree
2014/0121076	A1	5/2014	Lagree	2018/0133542	A1	5/2018	Lagree
2014/0121078	A1	5/2014	Lagree	2018/0178053	A1	6/2018	Lagree
2014/0121079	A1	5/2014	Lagree	2018/0193691	A1	7/2018	Lagree
2014/0141948	A1	5/2014	Aronson	2018/0250551	A1	9/2018	Lagree
2015/0024914	A1	1/2015	Lagree	2018/0250573	A1	9/2018	Lagree
2015/0057127	A1	2/2015	Lagree	2018/0272179	A1	9/2018	Lagree
2015/0065318	A1	3/2015	Lagree	2018/0280782	A1	10/2018	Lagree
2015/0072841	A1	3/2015	Lagree	2018/0318627	A1	11/2018	Lagree
2015/0141204	A1	5/2015	Lagree	2018/0318646	A1	11/2018	Lagree
2015/0217164	A1	8/2015	Lagree	2018/0326252	A1	11/2018	Lagree
2015/0220523	A1	8/2015	Lagree	2018/0345067	A1 *	12/2018	Ivy ..... A63B 23/0233
2015/0246263	A1	9/2015	Campanaro	2018/0353803	A1	12/2018	Lagree
2015/0297944	A1	10/2015	Lagree	2018/0361190	A1	12/2018	Lagree
2015/0343250	A1	12/2015	Lagree	2018/0361197	A1	12/2018	Lagree
2015/0360068	A1	12/2015	Lagree	2019/0083842	A1	3/2019	Lagree
2015/0360083	A1	12/2015	Lagree	2019/0160320	A1	5/2019	Lagree
2015/0360113	A1	12/2015	Lagree	2019/0160329	A1	5/2019	Lagree
2015/0364058	A1	12/2015	Lagree	2019/0232105	A1	8/2019	Lagree
2015/0367166	A1	12/2015	Lagree	2019/0240530	A1	8/2019	Lagree
2016/0008657	A1	1/2016	Lagree	2019/0247694	A1	8/2019	Lagree
2016/0059060	A1	3/2016	Lagree	2019/0247705	A1	8/2019	Lagree
2016/0059061	A1	3/2016	Lagree	2019/0247707	A1	8/2019	Lagree
2016/0096059	A1	4/2016	Lagree	2019/0255375	A1	8/2019	Lagree
2016/0166870	A1	6/2016	Lagree	2019/0269961	A1	9/2019	Lagree
2016/0193496	A1	7/2016	Lagree	2019/0314672	A1	10/2019	Lagree
2016/0256733	A1	9/2016	Lagree	2019/0358484	A1	11/2019	Lagree
2016/0271452	A1	9/2016	Lagree	2020/0030657	A1	1/2020	Lagree
2016/0317858	A1	11/2016	Lagree	2020/0047051	A1	2/2020	Lagree
				2020/0054913	A1	2/2020	Lagree
				2020/0078630	A1	3/2020	Lagree
				2020/0078634	A1	3/2020	Lagree
				2020/0222741	A1 *	7/2020	Aronson ..... A63B 21/154
				2020/0230460	A1	7/2020	Reinhardt

(56)

**References Cited**

U.S. PATENT DOCUMENTS

2021/0402253 A1 12/2021 Lagree  
2022/0072378 A1\* 3/2022 Alpay ..... A63B 21/023

OTHER PUBLICATIONS

[https://www.amazon.com/Total-Gym-Fitness-Dynamic\\_Abdominal/dp/B0743HWSGD/ref=sr\\_1\\_16?child=1&keywords=CORE+TRAINER&qid=1634594852&sr=8-16](https://www.amazon.com/Total-Gym-Fitness-Dynamic_Abdominal/dp/B0743HWSGD/ref=sr_1_16?child=1&keywords=CORE+TRAINER&qid=1634594852&sr=8-16); Amazon Webpage; Total Gym TGBLAST Fitness Dynamic Plank Core and Abdominal Trainer Blast Workout Machine for Progressive Workouts with Instructional DVD; 2017.

\* cited by examiner

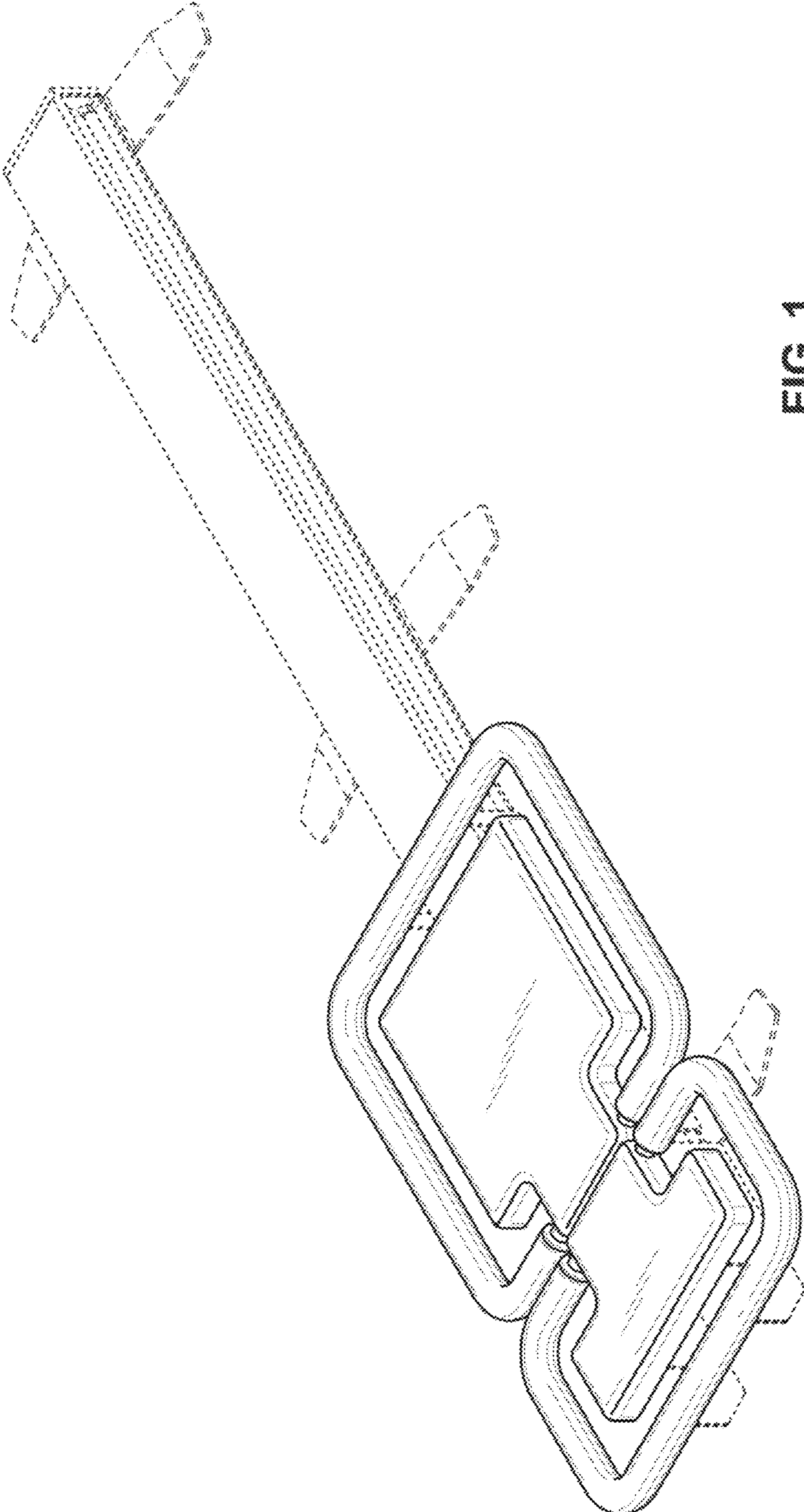


FIG. 1

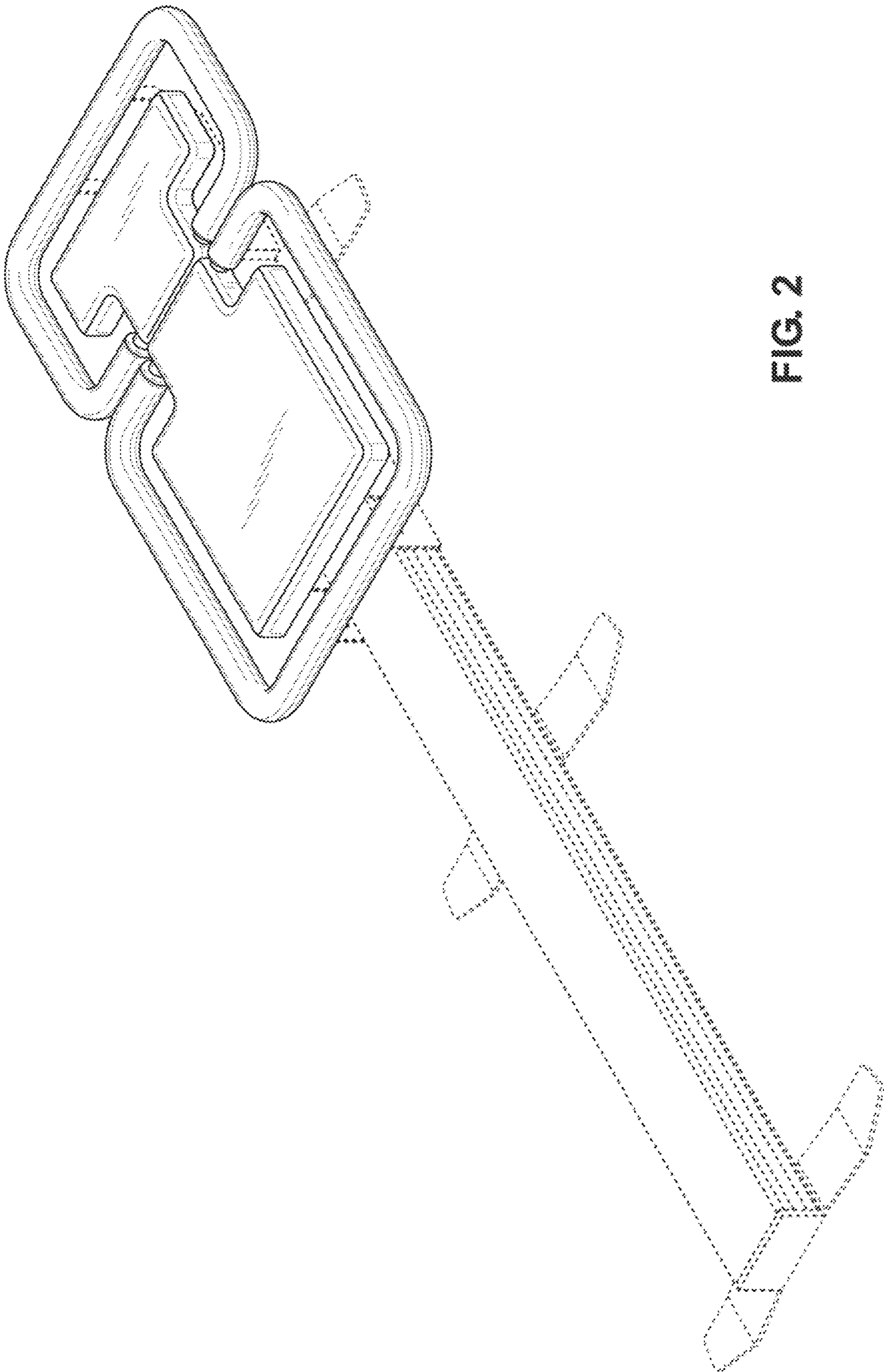


FIG. 2

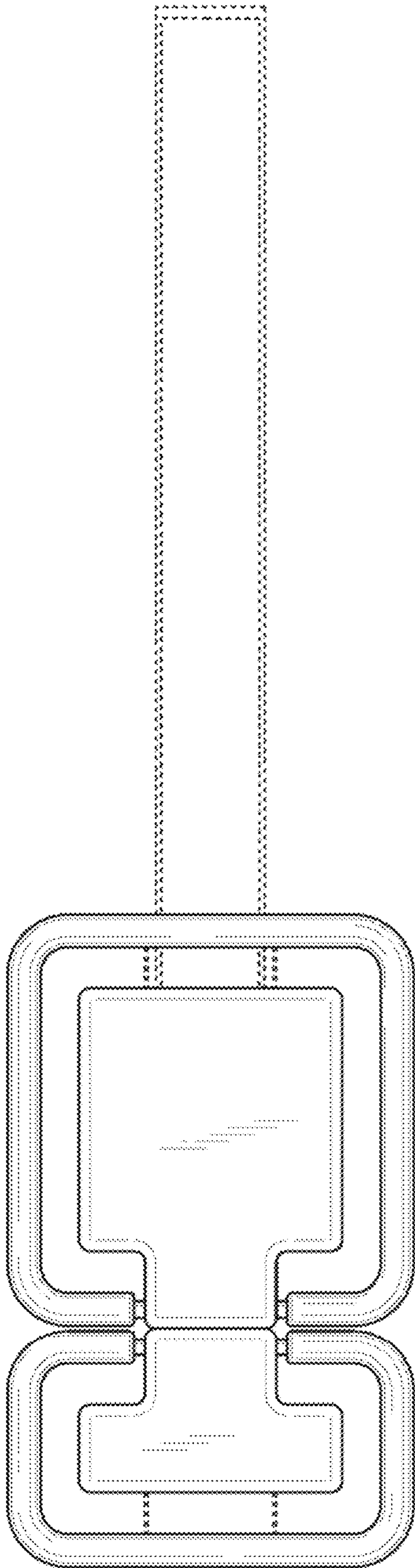


FIG. 3

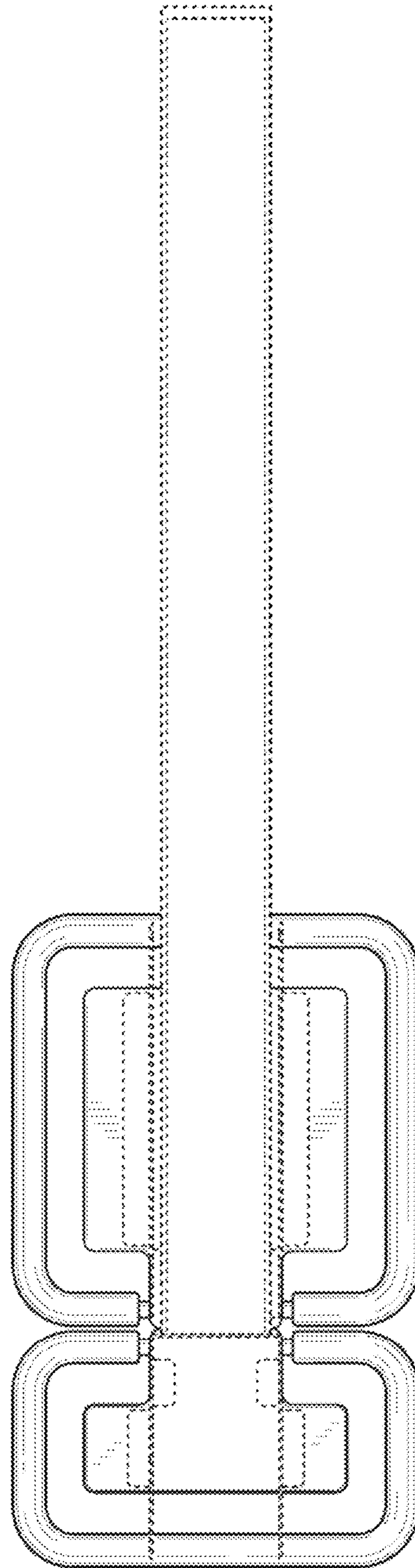


FIG. 4

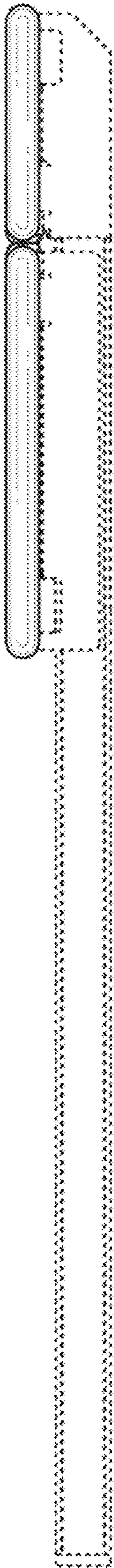


FIG. 5

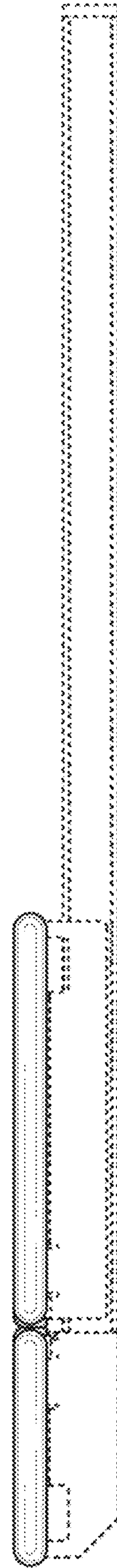


FIG. 6

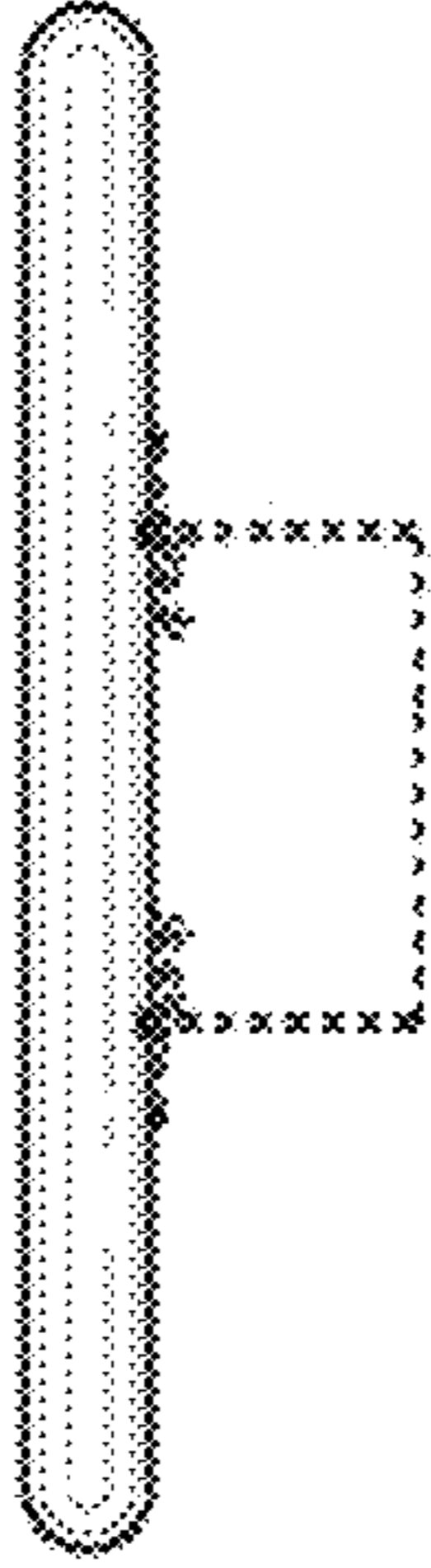


FIG. 7

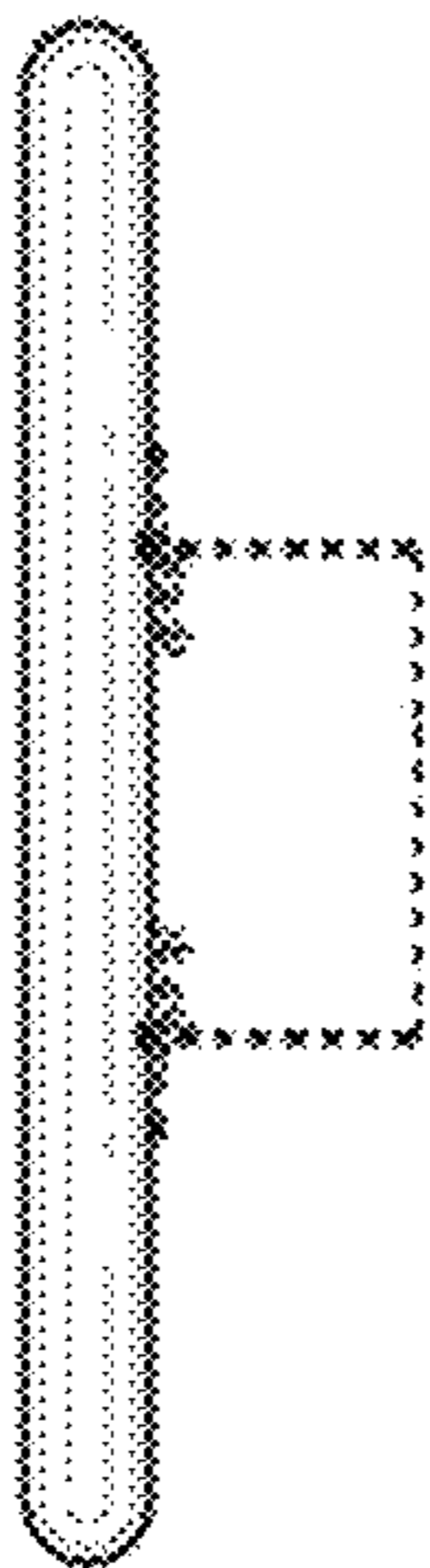


FIG. 8