



US00D959579S

(12) **United States Design Patent** (10) **Patent No.:** **US D959,579 S**  
**Panes et al.** (45) **Date of Patent:** **\*\* Aug. 2, 2022**

(54) **EXERCISE MACHINE**

FOREIGN PATENT DOCUMENTS

(71) Applicant: **Stealth Body Fitness, LLC**, Bradenton, FL (US)

GB 6040428 \* 8/2018

(72) Inventors: **Howard Panes**, Bradenton, FL (US);  
**Donald Brown**, Williamsport, PA (US)

OTHER PUBLICATIONS

(73) Assignee: **Stealth Body Fitness, LLC**, Bradenton, FL (US)

Liberty Lift 15" Standing Aid and Handicap Bar with No-Slip Grip Handles, first available Jun. 25, 2021, amazon.com [online], site visited Dec. 13, 2021], Available from internet URL: https://amzn.to/3DSacS3 (Year: 2021).\*

(\*\*) Term: **15 Years**

Thigh Master Workout Equipment, first available Feb. 25, 2020, amazon.com [online], site visited Dec. 13, 2021], Available from internet URL: https://amzn.to/3dQao9Q (Year: 2020).\*

(21) Appl. No.: **29/728,968**

\* cited by examiner

(22) Filed: **Mar. 23, 2020**

(51) **LOC (13) Cl.** ..... **21-02**

*Primary Examiner* — Garth Rademaker

(52) **U.S. Cl.**  
USPC ..... **D21/662**

*Assistant Examiner* — Salamah Jordan

(58) **Field of Classification Search**  
USPC ..... D12/175, 178; D21/190, 191, 193, 194,  
D21/398, 408, 411, 662, 680, 684, 692,  
D21/694; D24/193–195; D30/160  
CPC . A63B 21/16; A63B 21/0724; A63B 2225/05;  
B62K 21/08; B62K 21/16; B62K 21/22  
See application file for complete search history.

(74) *Attorney, Agent, or Firm* — Foley & Lardner LLP

(56) **References Cited**

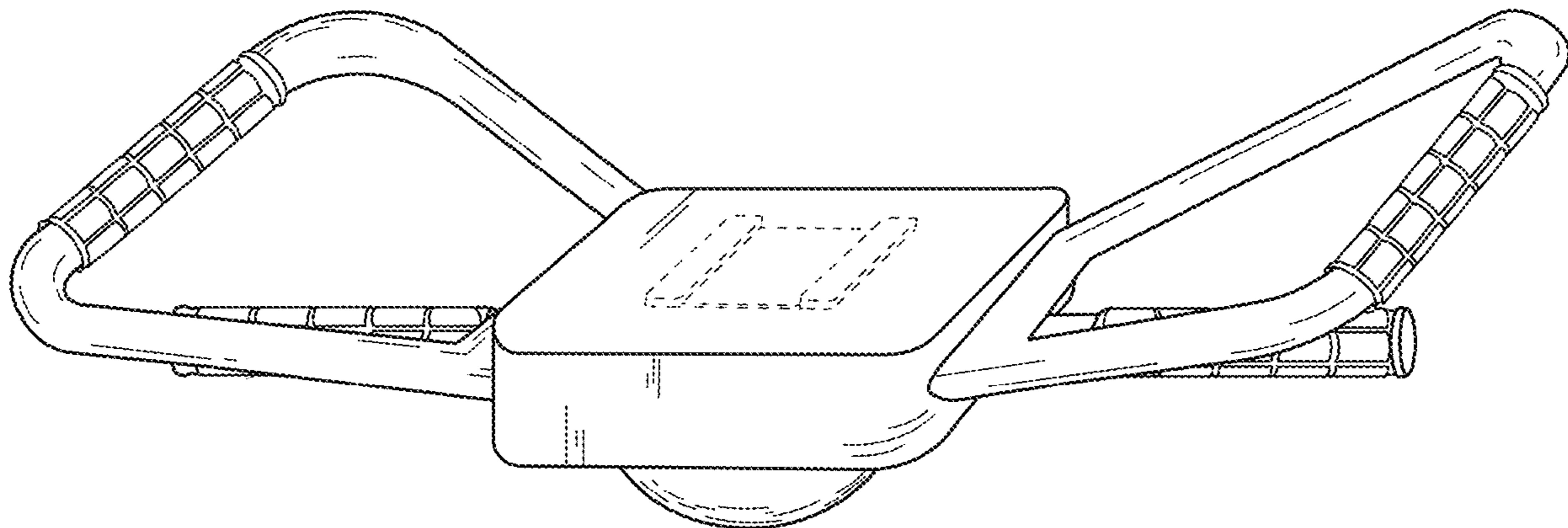
**DESCRIPTION**

U.S. PATENT DOCUMENTS

|                 |   |         |             |       |            |
|-----------------|---|---------|-------------|-------|------------|
| D464,095 S      | * | 10/2002 | Yu          | ..... | D21/662    |
| D470,445 S      | * | 2/2003  | Wiedeman    | ..... | D12/175    |
| D660,929 S      | * | 5/2012  | Fitzpatrick | ..... | D21/692    |
| D712,987 S      | * | 9/2014  | Salzedo     | ..... | D21/662    |
| D729,032 S      | * | 5/2015  | Gu          | ..... | D8/303     |
| D817,237 S      | * | 5/2018  | Talios      | ..... | D12/178    |
| D905,803 S      | * | 12/2020 | Kim         | ..... | D21/662    |
| D908,897 S      | * | 1/2021  | Warden      | ..... | D24/194    |
| D908,898 S      | * | 1/2021  | Warden      | ..... | D24/194    |
| 2008/0110290 A1 | * | 5/2008  | Buettner    | ..... | B62K 21/16 |
| 2020/0023921 A1 | * | 1/2020  | Gordner     | ..... | B62K 21/08 |
| 2021/0139101 A1 | * | 5/2021  | Eaton       | ..... | H05B 3/42  |
| 2021/0146890 A1 | * | 5/2021  | Respass     | ..... | B62K 21/22 |

FIG. 1 is a front, bottom, perspective view of an exercise machine, showing our new design;  
FIG. 2 is a front view thereof;  
FIG. 3 is a rear view thereof;  
FIG. 4 is a top view thereof;  
FIG. 5 is a bottom view thereof;  
FIG. 6 is a left-side view thereof shown in enlarged scale;  
and,  
FIG. 7 is a right-side view thereof shown in enlarged scale.  
The broken lines in the figures illustrate portions of the exercise machine that form no part of the claimed design.

**1 Claim, 7 Drawing Sheets**



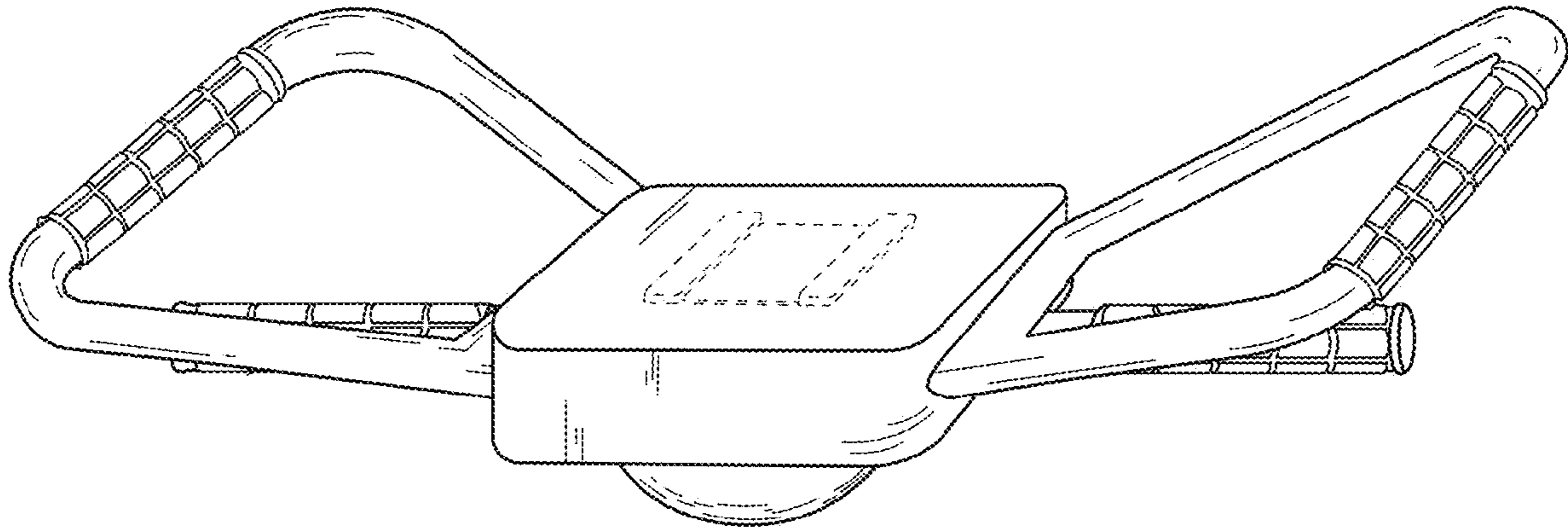


Fig. 1

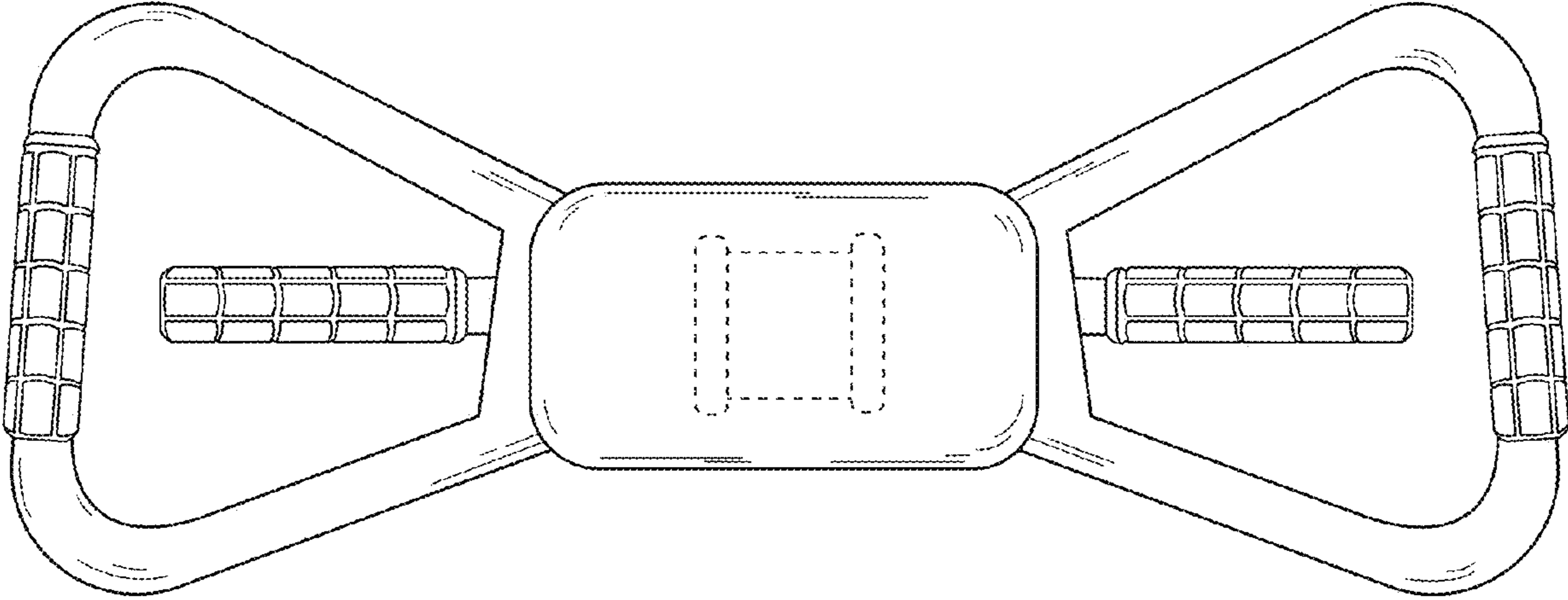


Fig. 2

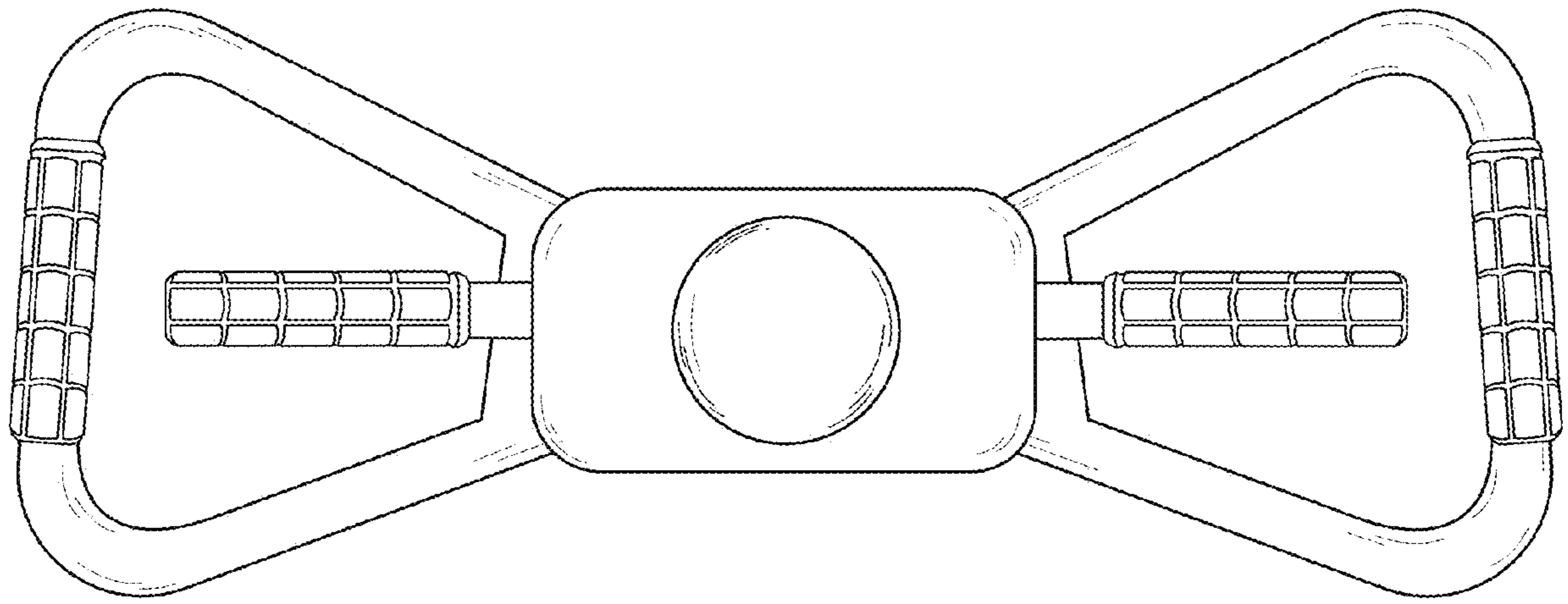


Fig. 3

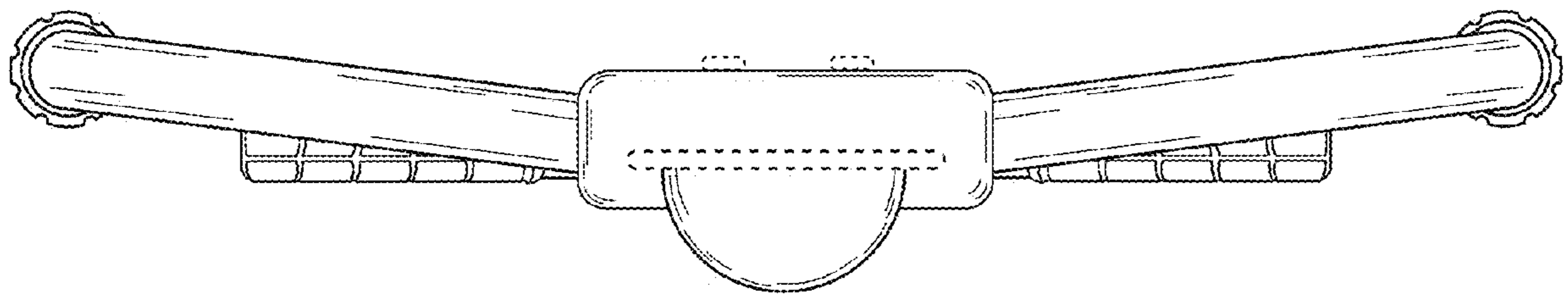


Fig. 4

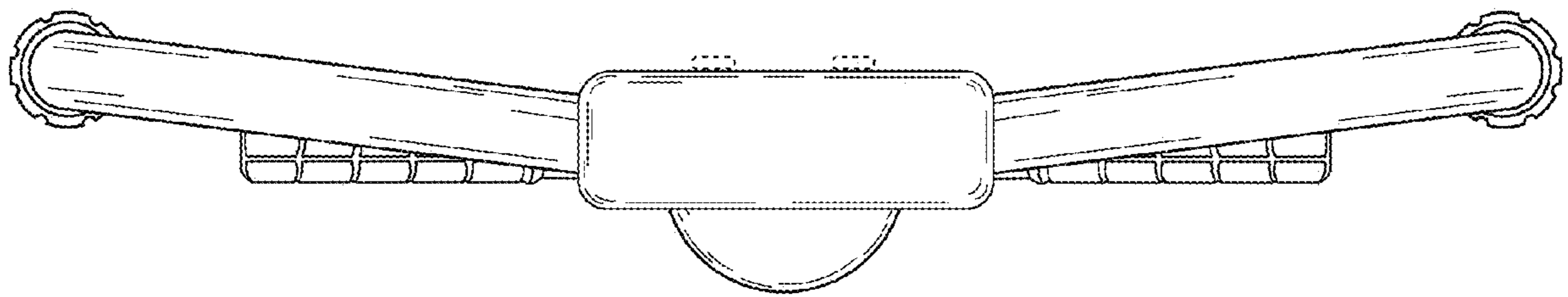


Fig. 5

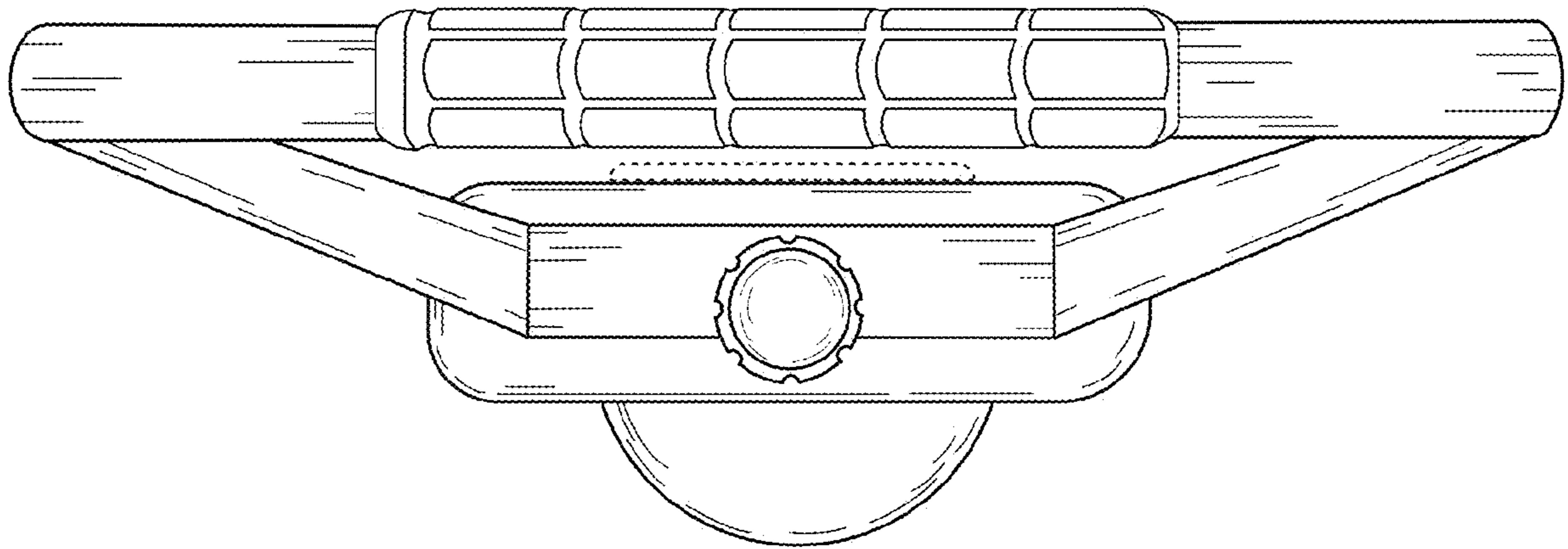


Fig. 6

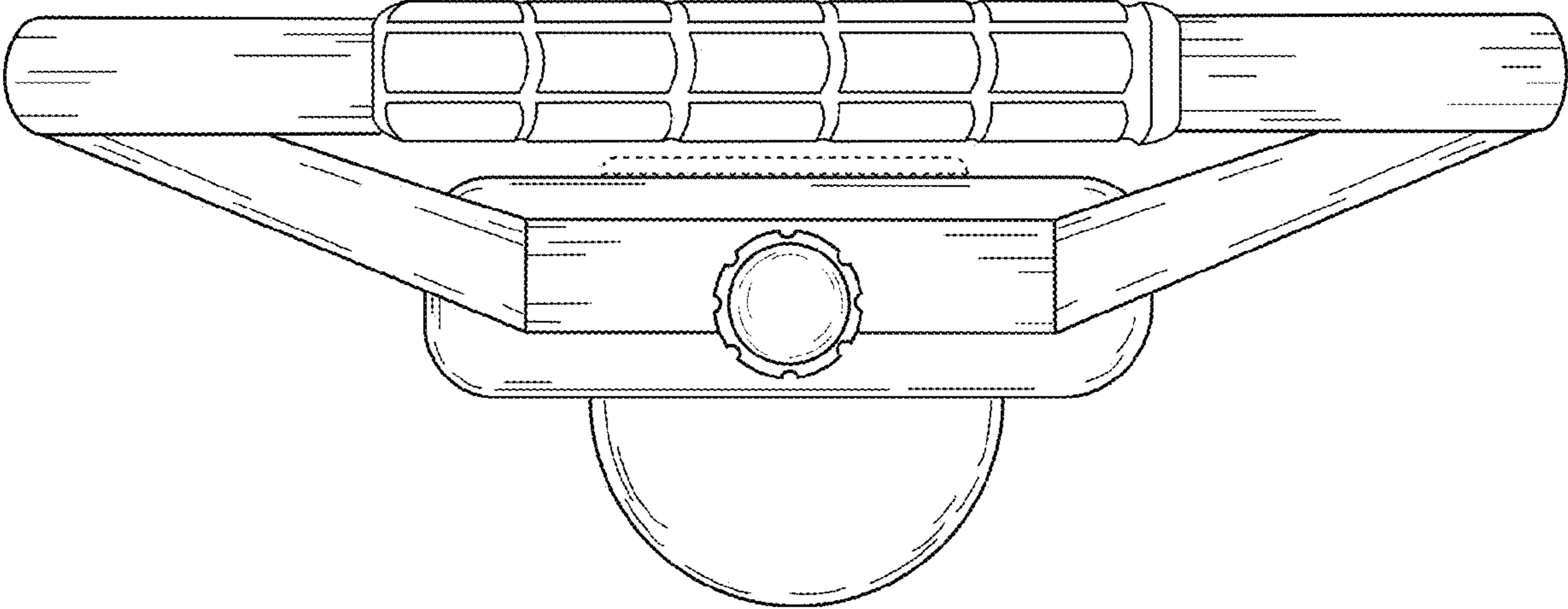


Fig. 7