



US00D959570S

(12) **United States Design Patent** (10) **Patent No.:** **US D959,570 S**  
**Davis et al.** (45) **Date of Patent:** **\*\* Aug. 2, 2022**

(54) **GEL BALL BLASTER**  
(71) Applicant: **Gel Blaster LLC**, Austin, TX (US)  
(72) Inventors: **Eric Alan Davis**, Austin, TX (US);  
**Robert Kovacs**, Budapest (HU); **Colin Guinn**, Austin, TX (US)  
(73) Assignee: **Gel Blaster LLC**, Austin, TX (US)  
(\*\*) Term: **15 Years**  
(21) Appl. No.: **29/794,093**  
(22) Filed: **Jun. 10, 2021**  
(51) **LOC (13) Cl.** ..... **21-01**  
(52) **U.S. Cl.**  
USPC ..... **D21/574**  
(58) **Field of Classification Search**  
USPC ..... D21/333, 570, 572-575; D14/418;  
D22/100, 103, 104  
CPC .... F41B 7/00; F41B 7/003; F41B 7/08; F41B  
9/00; F41B 9/0078; F41B 9/0081; F41B  
11/89; A63H 5/04  
See application file for complete search history.

2013/0239936 A1\* 9/2013 Victor ..... F41A 19/52  
124/16  
2019/0321718 A1\* 10/2019 Margareten ..... A63F 9/0204  
2021/0102769 A1\* 4/2021 DeRoche ..... F42B 6/00

**OTHER PUBLICATIONS**

Gel Blaster Surge, uploaded on Vimeo Nov. 20, 2020 [online], [site visited May 5, 2022]. Available from Internet: <URL:https://vimeo.com/481628185> (Year: 2020).\*  
Zhenuduo STD-X2 Gel Blaster Surge, available Jun. 9, 2021 [online], [site visited May 5, 2022]. Available from Internet: <URL:https://www.zhendutoys.com/STD-X2-Strike-Energy-Gel-Blaster-Surge-Orbeez-Gun-UK-US-Stock-p849386.html> (Year: 2021).\*

\* cited by examiner

*Primary Examiner* — Cynthia M. Chin  
(74) *Attorney, Agent, or Firm* — Kirby Drake

(57) **CLAIM**

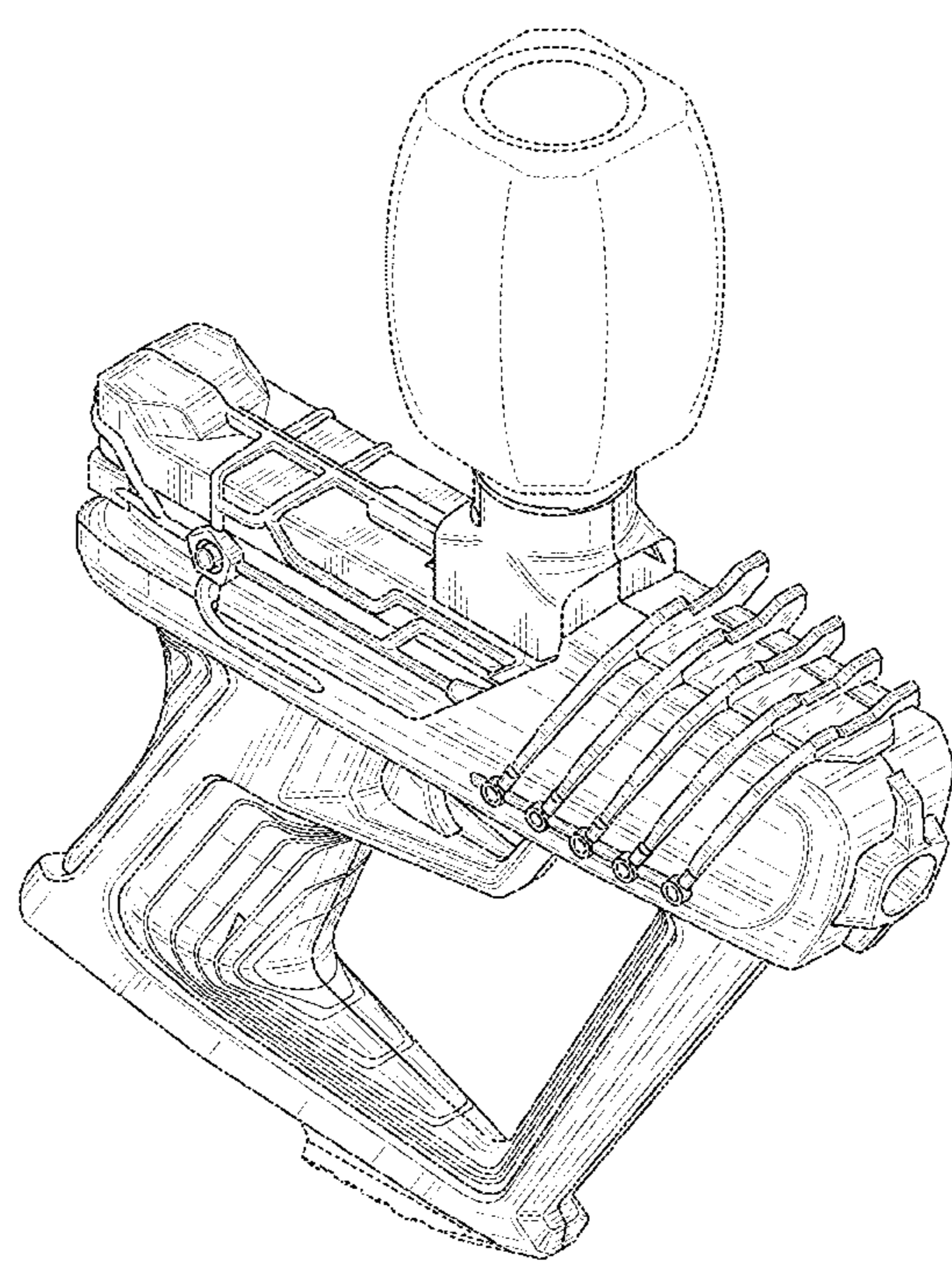
The ornamental design for a gel ball blaster, as shown and described.

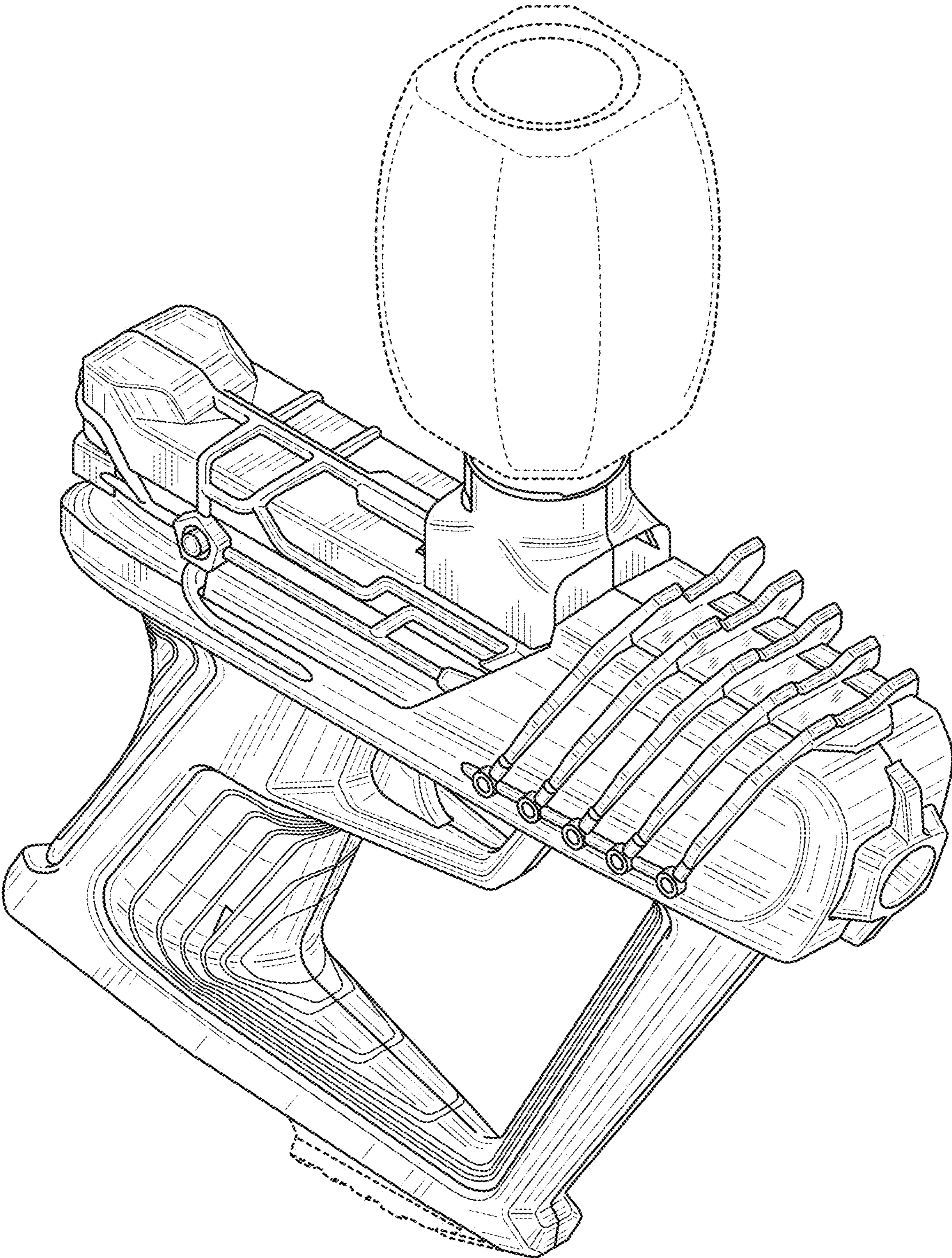
**DESCRIPTION**

FIG. 1 is a right perspective view of the gel ball blaster in accordance with the new design;  
FIG. 2 is a left perspective view thereof;  
FIG. 3 is a side view thereof;  
FIG. 4 is another side view thereof;  
FIG. 5 is a right view thereof;  
FIG. 6 is a left view thereof;  
FIG. 7 is a top view thereof; and,  
FIG. 8 is a bottom view thereof.  
The broken lines are for the purpose of illustrating portions of the article that form no part of the claimed design.

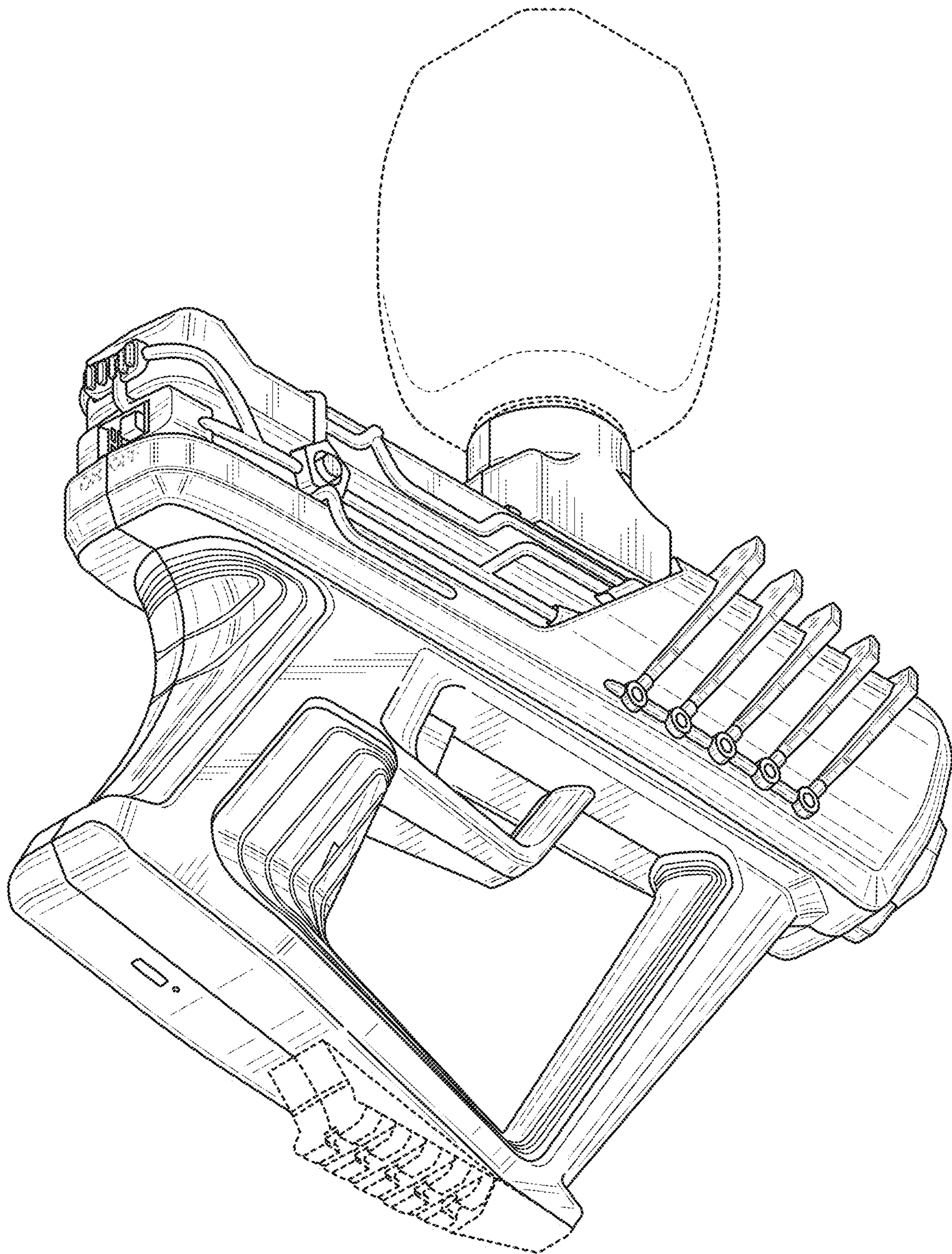
**1 Claim, 8 Drawing Sheets**

(56) **References Cited**  
U.S. PATENT DOCUMENTS  
D400,954 S \* 11/1998 Ealovega ..... D22/100  
8,951,128 B1 \* 2/2015 Farley ..... F41J 5/02  
434/21  
D770,594 S \* 11/2016 Dammkoehler ..... D23/226  
D875,199 S \* 2/2020 Hu ..... D21/573  
D891,582 S \* 7/2020 Hamlin ..... D21/575  
D907,720 S \* 1/2021 Singer ..... D21/574  
D944,336 S \* 2/2022 Ren ..... D21/572

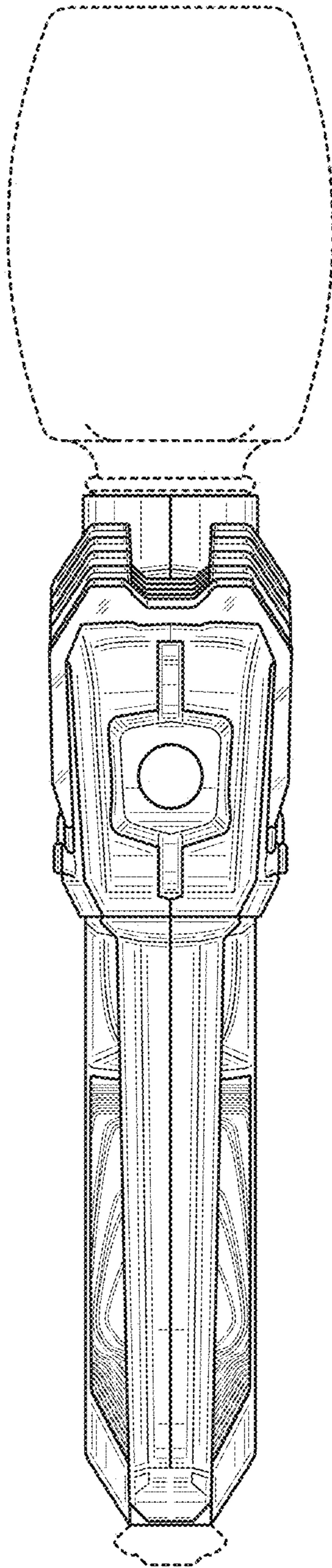




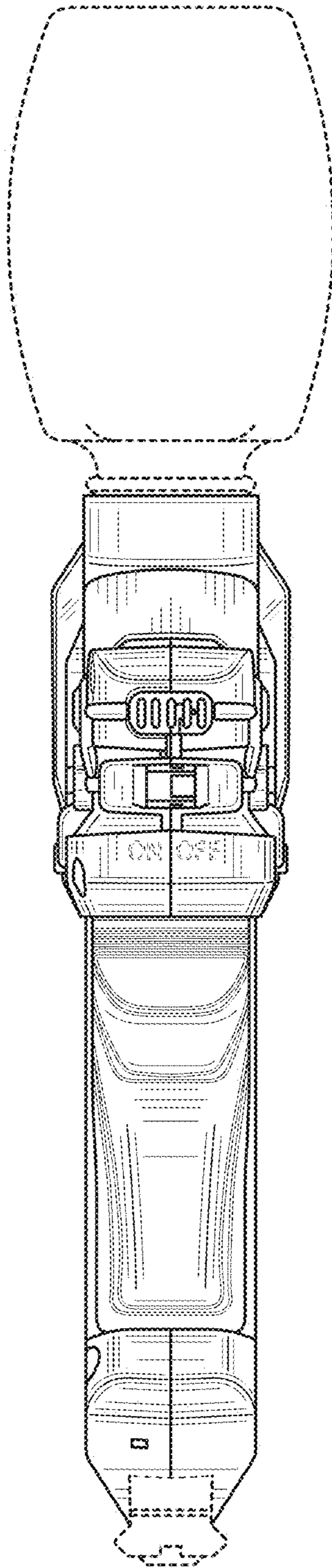
**FIG. 1**



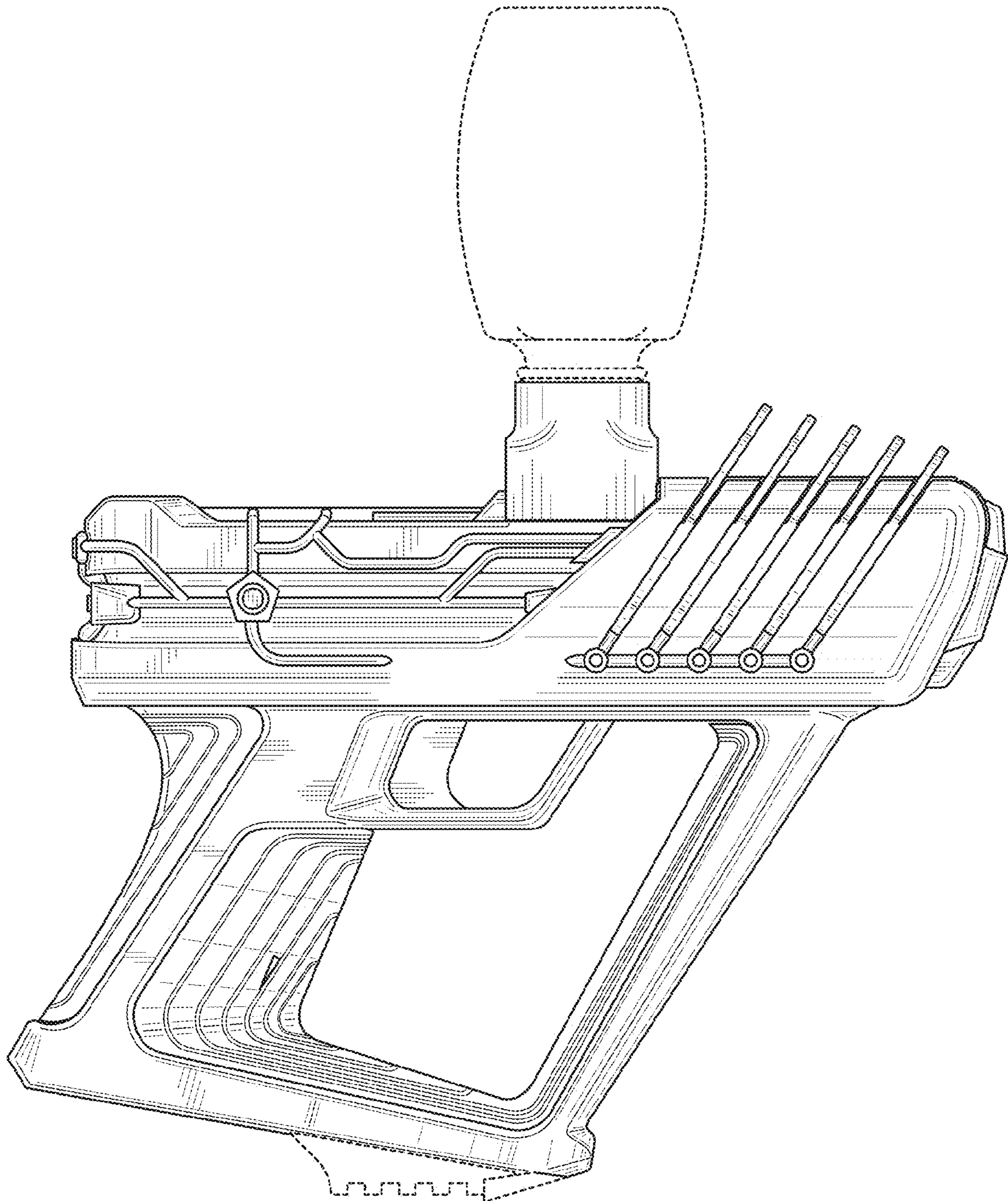
**FIG. 2**



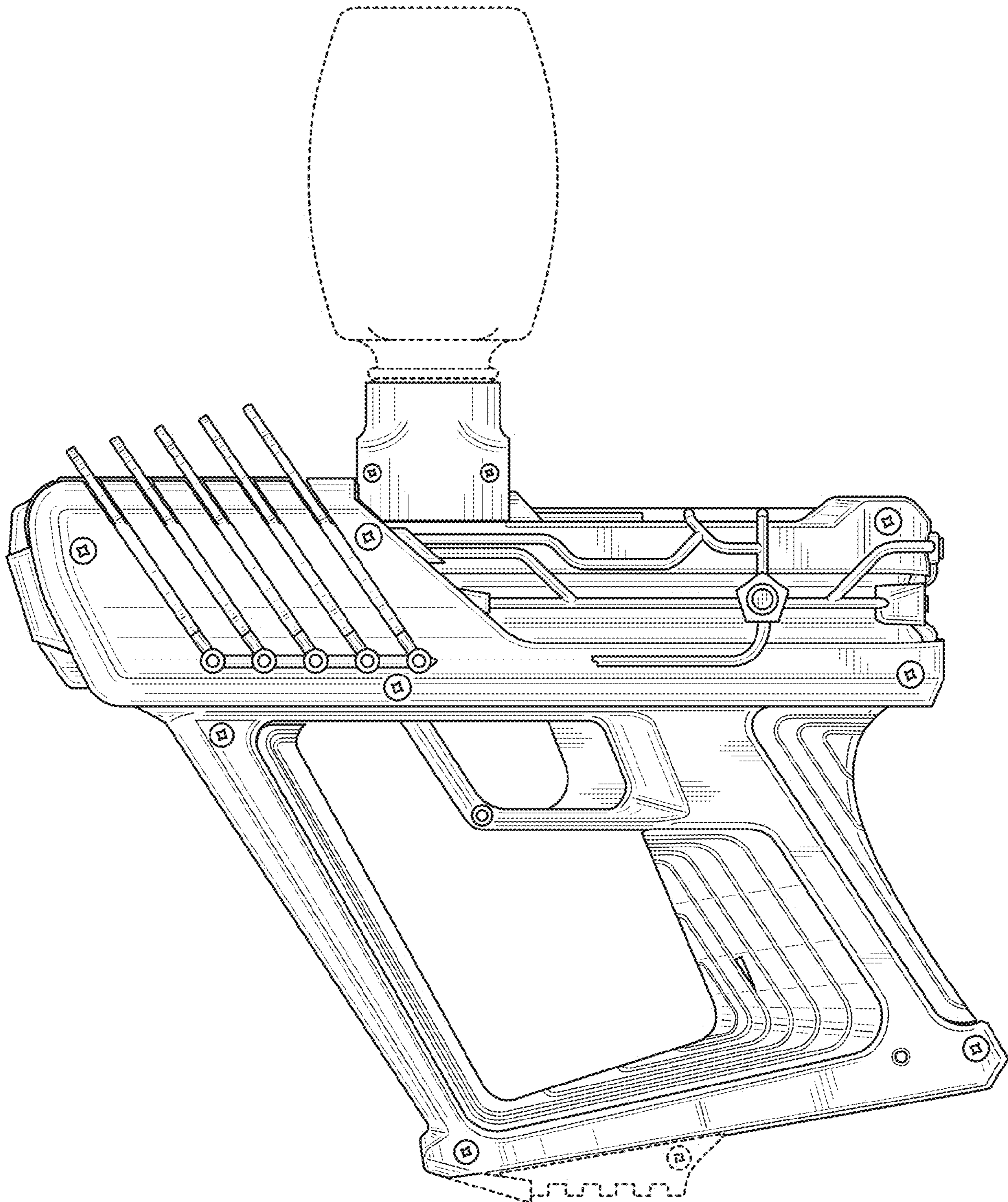
**FIG. 3**



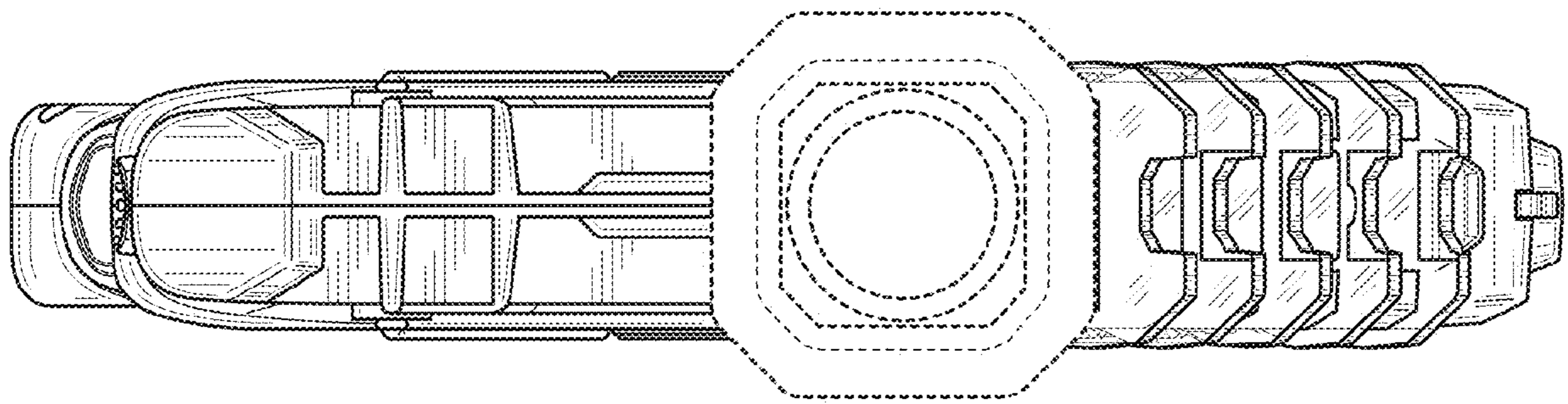
**FIG. 4**



**FIG. 5**

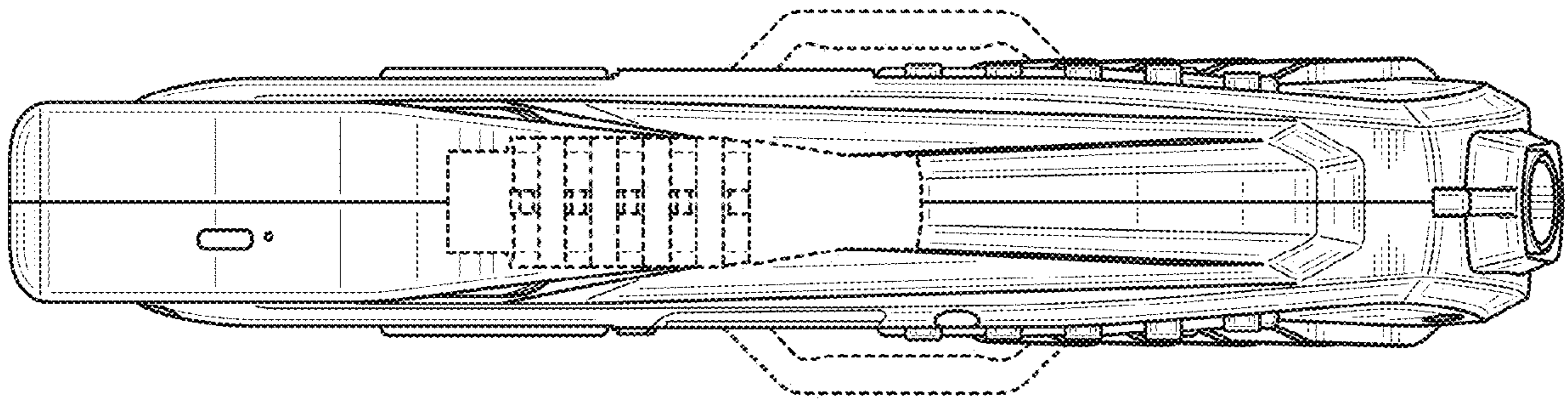


**FIG. 6**



**FIG. 7**





**FIG. 8**