



US00D959568S

(12) **United States Design Patent** (10) **Patent No.:** **US D959,568 S**  
**Gil** (45) **Date of Patent:** **\*\* Aug. 2, 2022**

(54) **BRICK FOR CONSTRUCTION TOYS**

D890,858 S \* 7/2020 Grove ..... D21/499  
D891,531 S \* 7/2020 Zhang ..... D21/488  
D903,782 S \* 12/2020 Semling ..... D21/499  
D903,783 S \* 12/2020 Semling ..... D21/499  
D907,521 S \* 1/2021 Beaber ..... A23G 3/563  
D11/26

(71) Applicant: **Sangchul Gil**, Hanam-si (KR)

(72) Inventor: **Sangchul Gil**, Hanam-si (KR)

(\*\*) Term: **15 Years**

\* cited by examiner

(21) Appl. No.: **35/511,106**

*Primary Examiner* — Joseph Kukella

(22) Filed: **Jul. 3, 2020**

(57) **CLAIM**

The ornamental design for a brick for construction toys, as shown and described.

(80) **Hague Agreement Data**

Int. Filing Date: **Jul. 3, 2020**

Int. Reg. No.: **DM/210748**

Int. Reg. Date: **Jul. 3, 2020**

Int. Reg. Pub. Date: **Jan. 8, 2021**

**DESCRIPTION**

(51) **LOC (13) Cl.** ..... **21-01**

(52) **U.S. Cl.**  
USPC ..... **D21/488**

(58) **Field of Classification Search**  
USPC ..... D21/483–505; D25/113–118  
CPC .... A63H 33/04; A63H 33/044; A63H 33/046;  
A63H 33/048; A63H 33/062; A63H  
33/067; A63H 33/08; A63H 33/10; A63H  
33/101; A63H 33/103; A63H 33/105;  
A63H 33/106–108

See application file for complete search history.

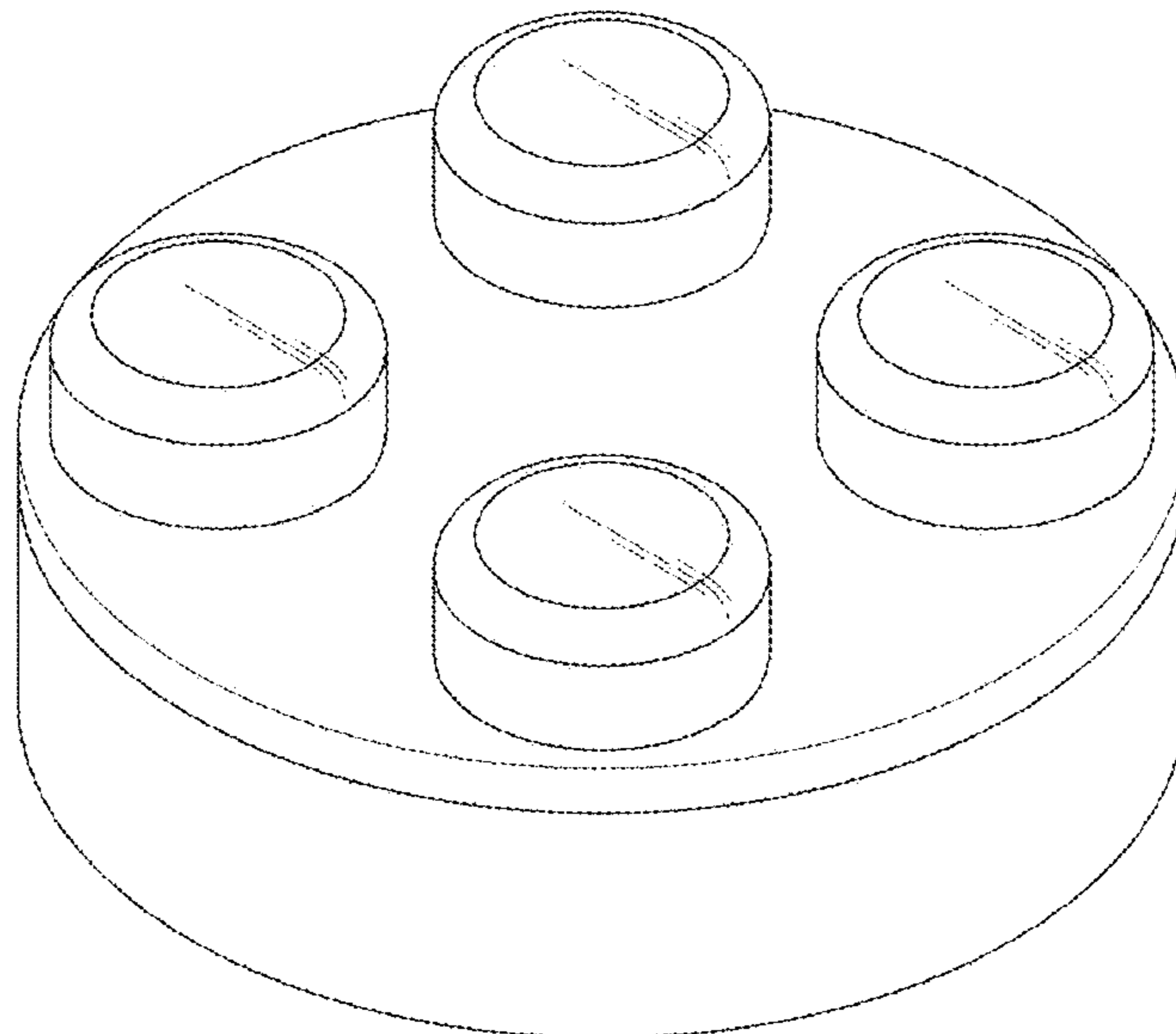
- 1.-12. Brick for construction toys
- 1.1 : Perspective
- 1.2 : Front
- 1.3 : Back
- 1.4 : Left
- 1.5 : Right
- 1.6 : Top
- 1.7 : Bottom
- 2.1 : Perspective
- 2.2 : Front
- 2.3 : Back
- 2.4 : Left
- 2.5 : Right
- 2.6 : Top
- 2.7 : Bottom
- 2.8 : Bottom perspective
- 3.1 : Perspective
- 3.2 : Front
- 3.3 : Back
- 3.4 : Left
- 3.5 : Right
- 3.6 : Top
- 3.7 : Bottom
- 3.8 : Bottom perspective

(56) **References Cited**

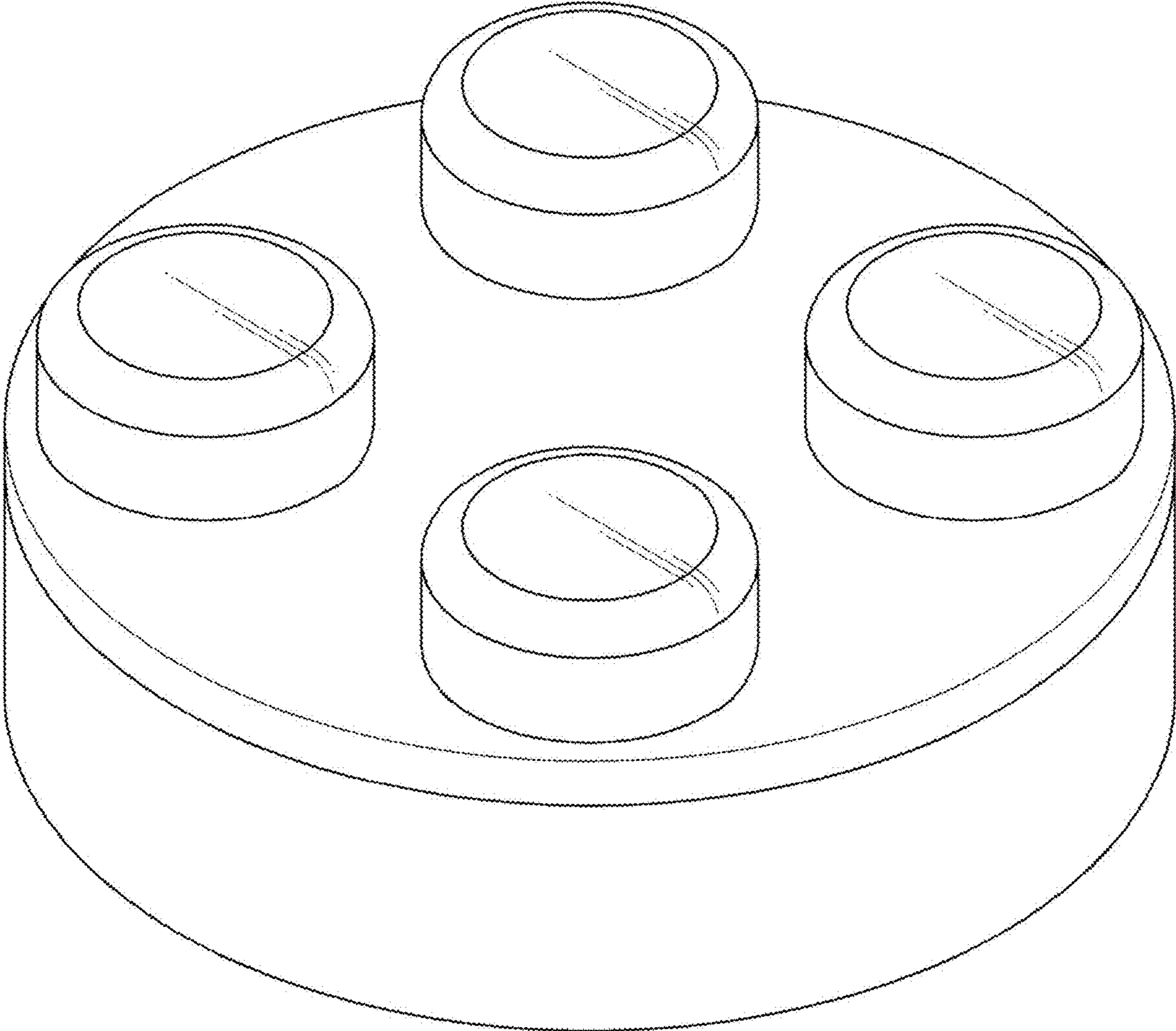
**U.S. PATENT DOCUMENTS**

D762,267 S \* 7/2016 Glasband ..... A23G 3/563  
D21/484  
D777,264 S \* 1/2017 Marcil ..... D21/491  
D818,056 S \* 5/2018 Lo ..... D21/499  
D830,474 S \* 10/2018 Holman ..... D21/484  
D832,934 S \* 11/2018 Kogure ..... D21/492  
D849,853 S \* 5/2019 Chen ..... D21/499  
D857,112 S \* 8/2019 Cowie ..... D21/487  
D858,651 S \* 9/2019 Barwald ..... D21/491

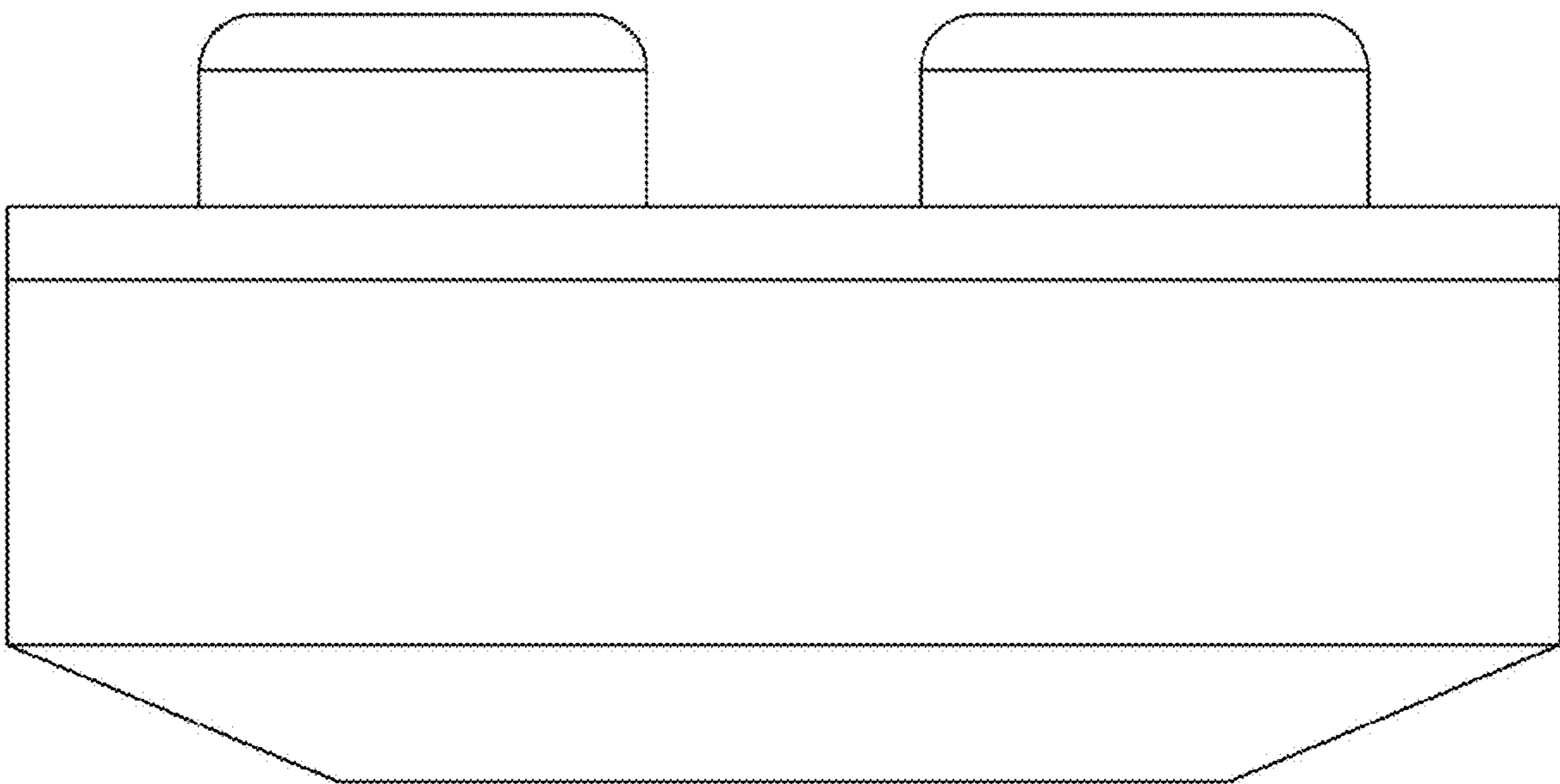
**1 Claim, 23 Drawing Sheets**



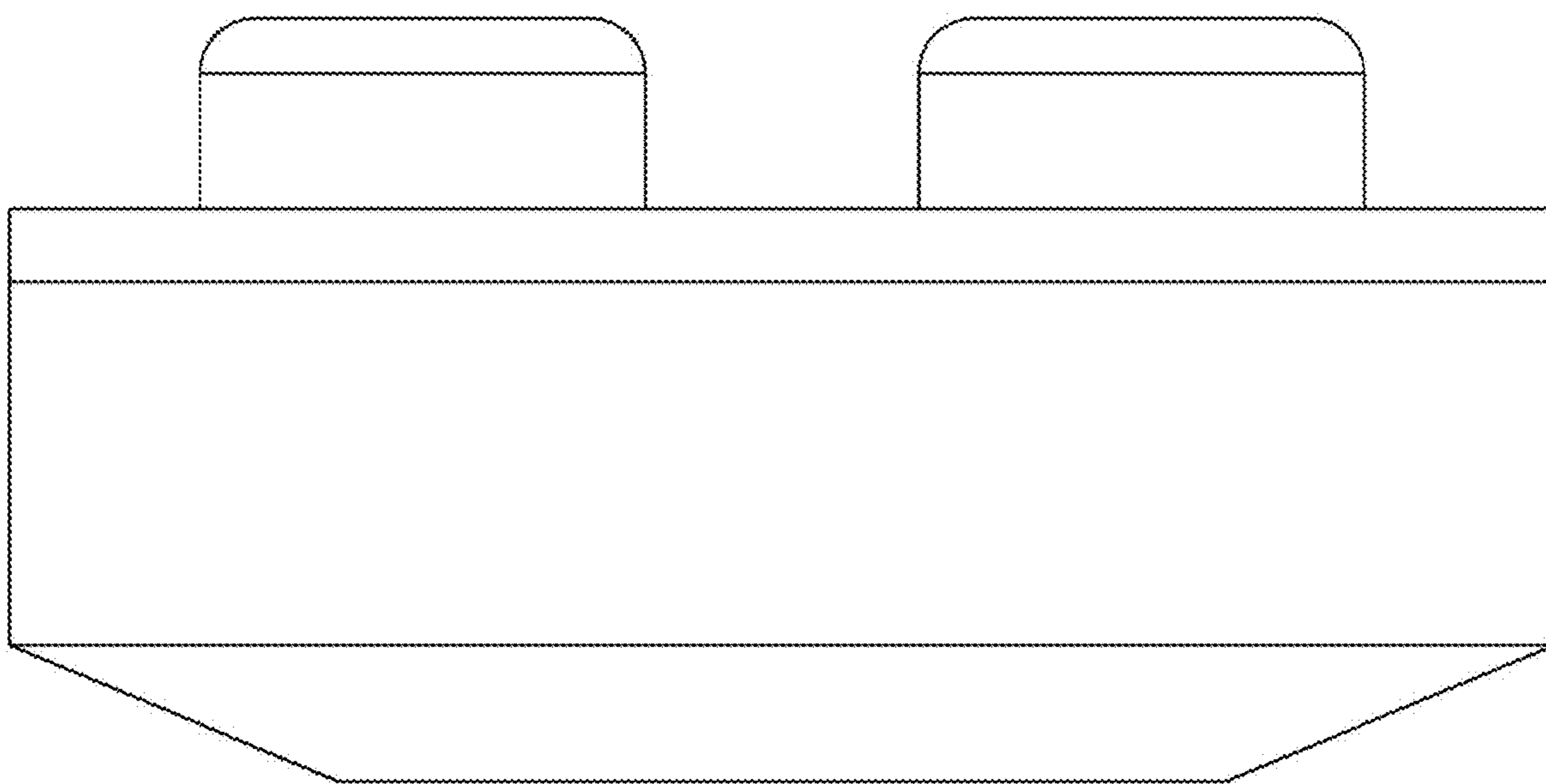
1.1



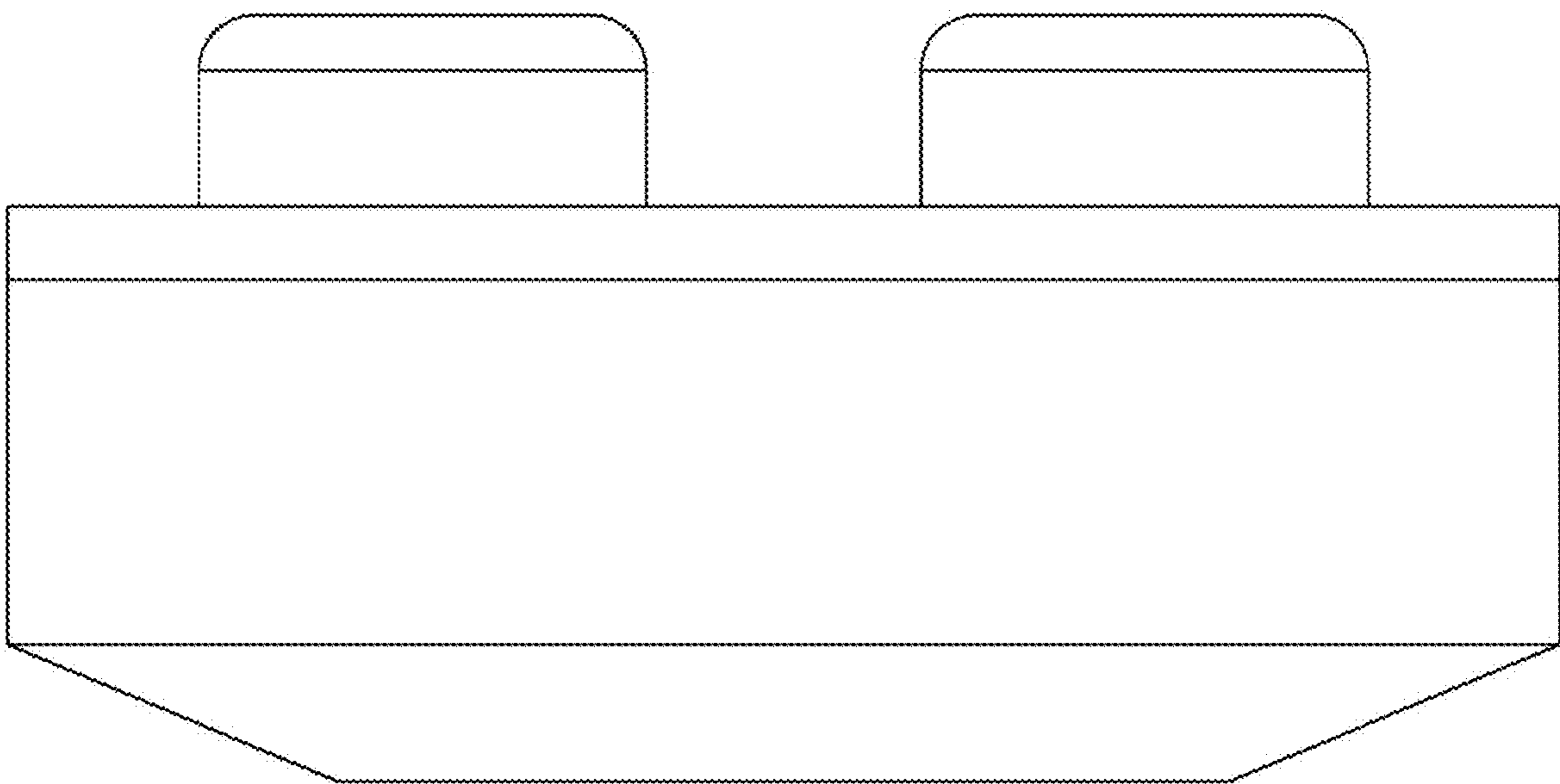
1.2



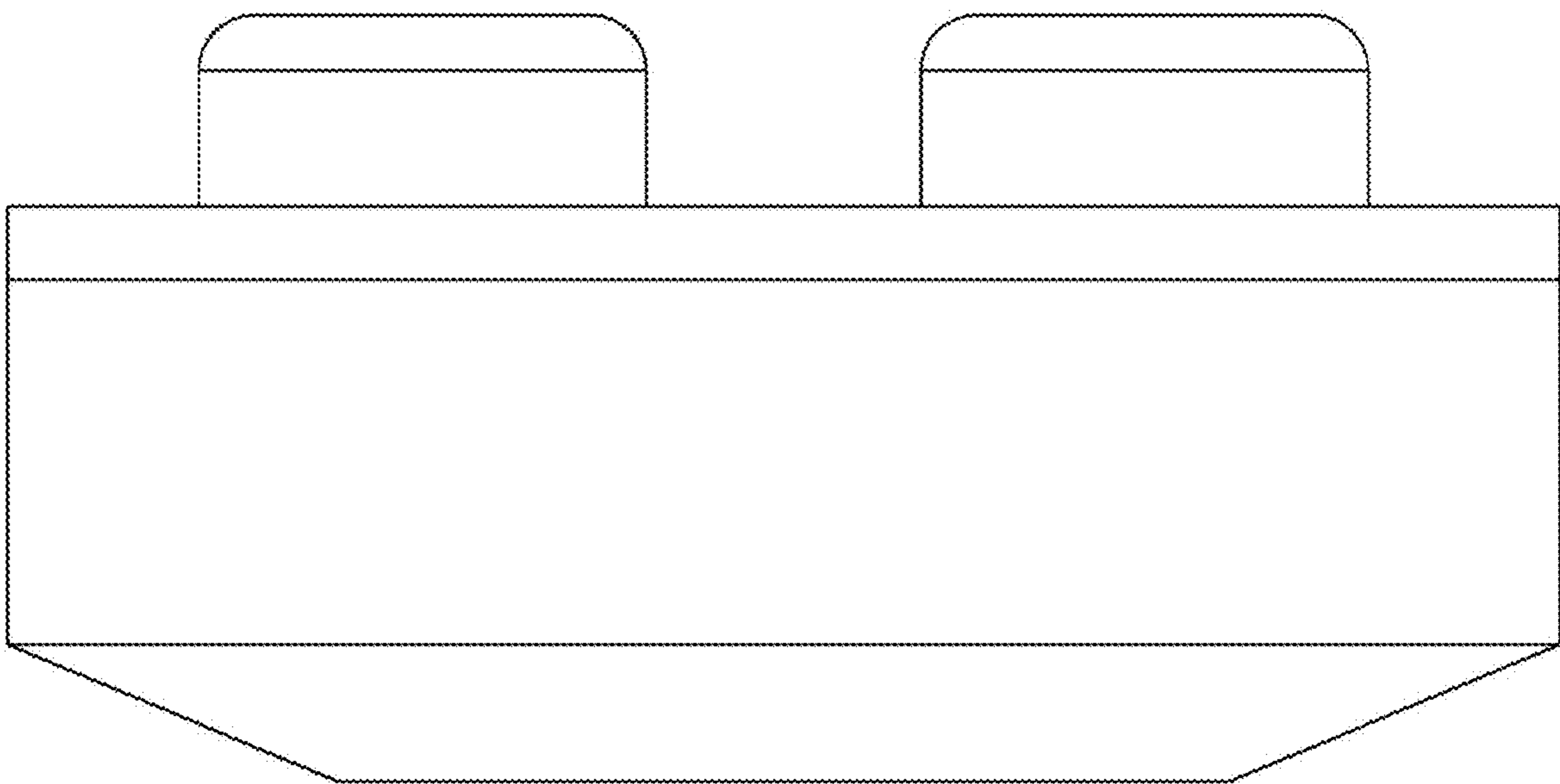
1.3



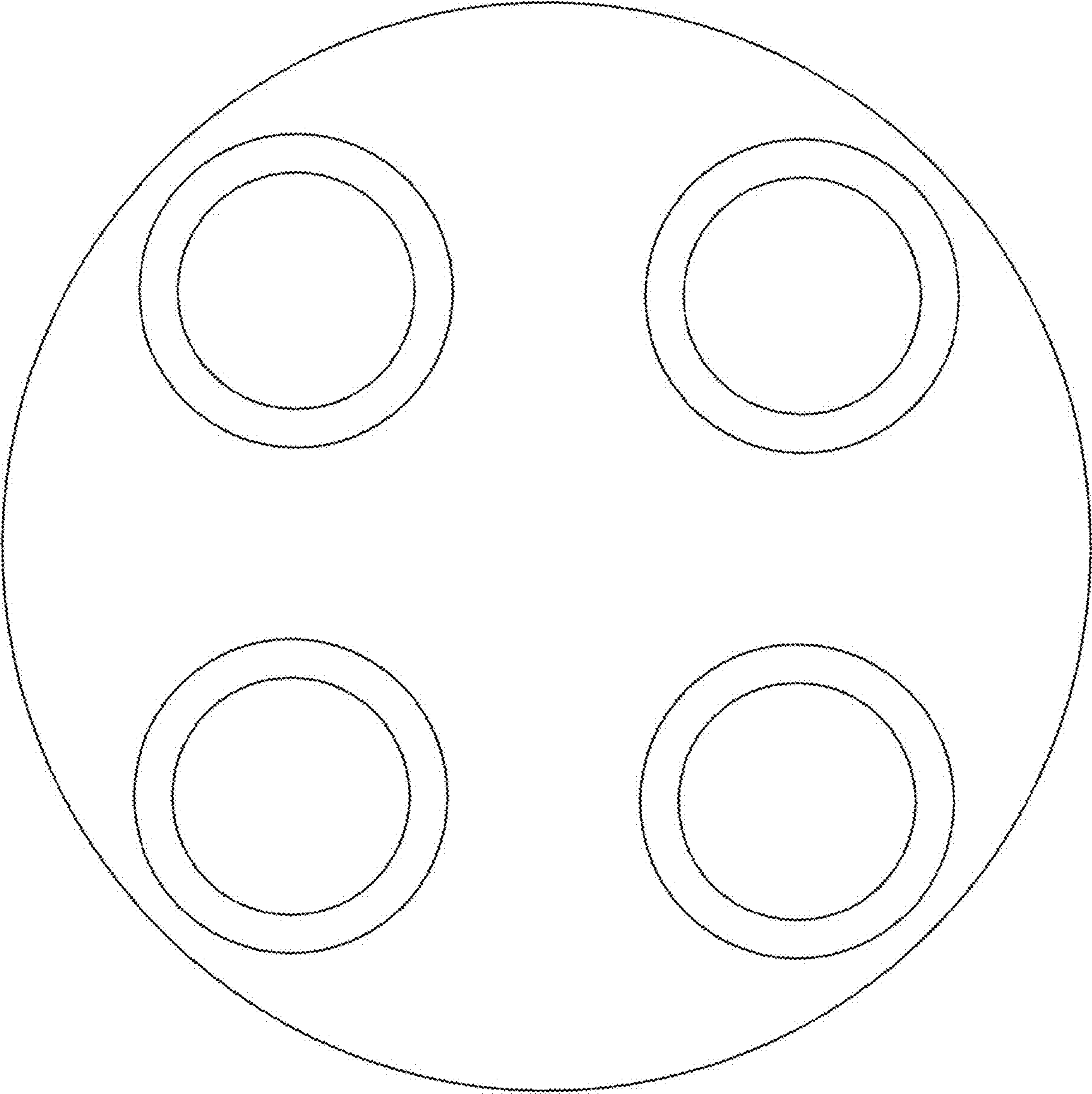
1.4



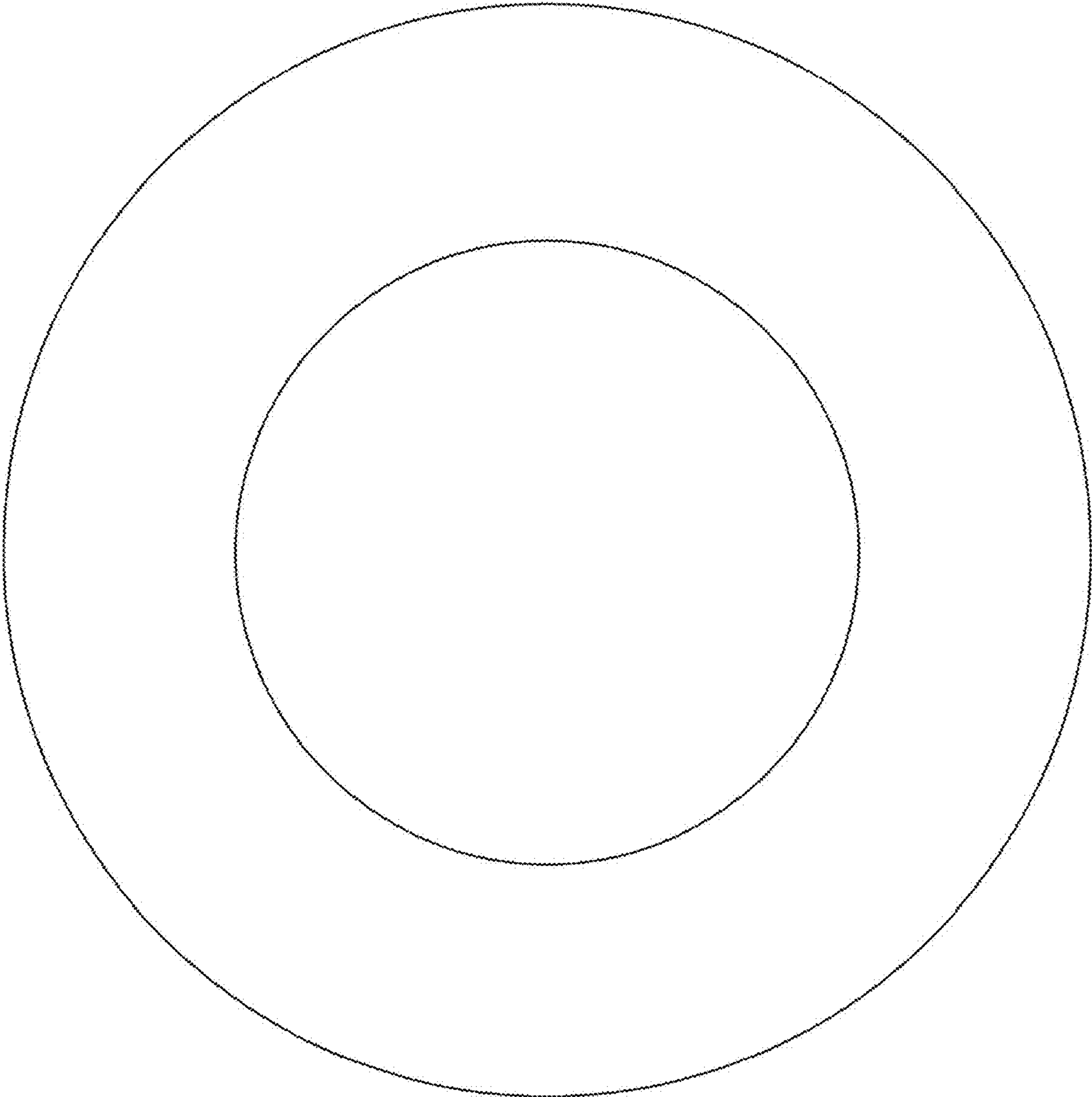
1.5



1.6

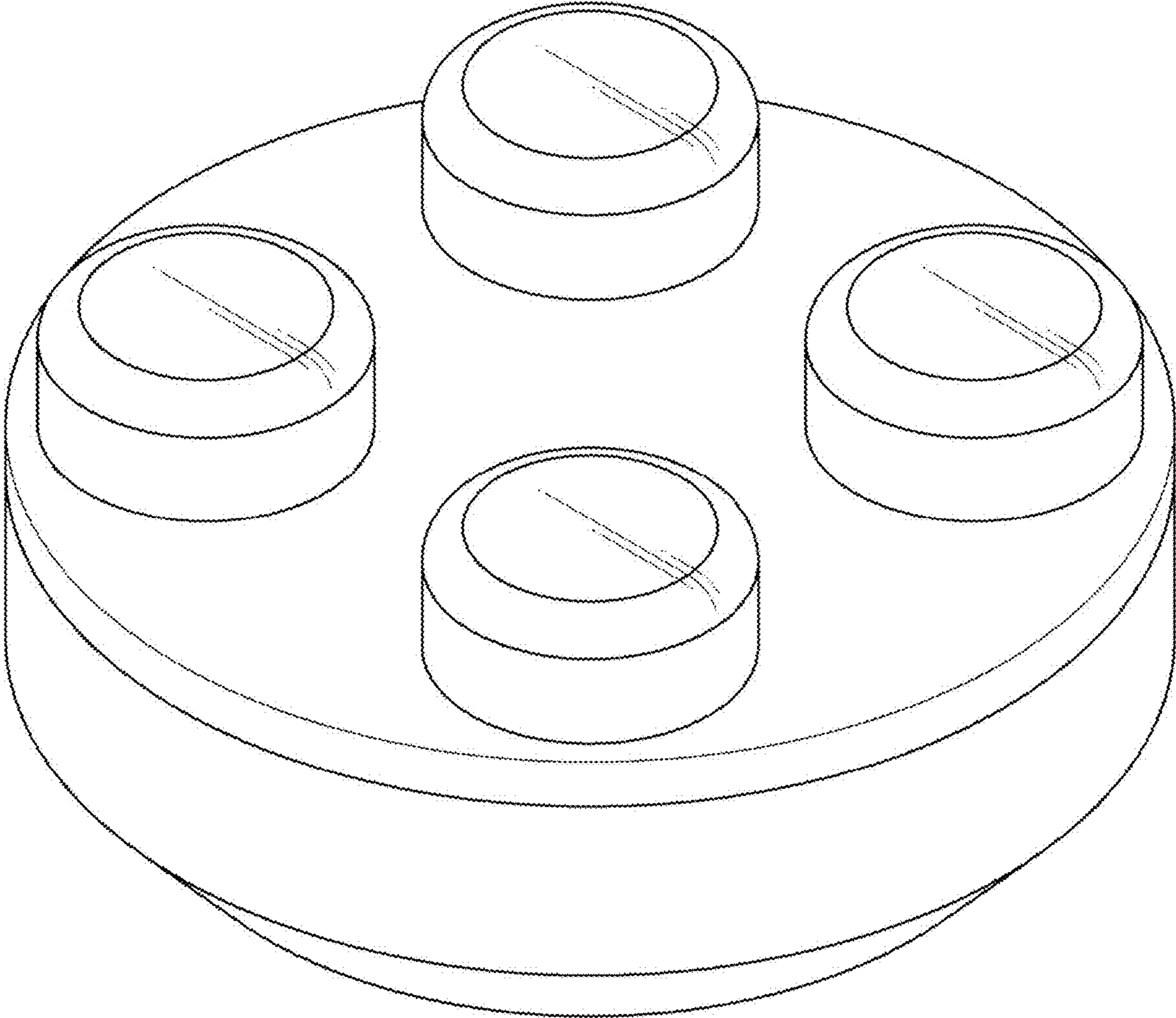


1.7

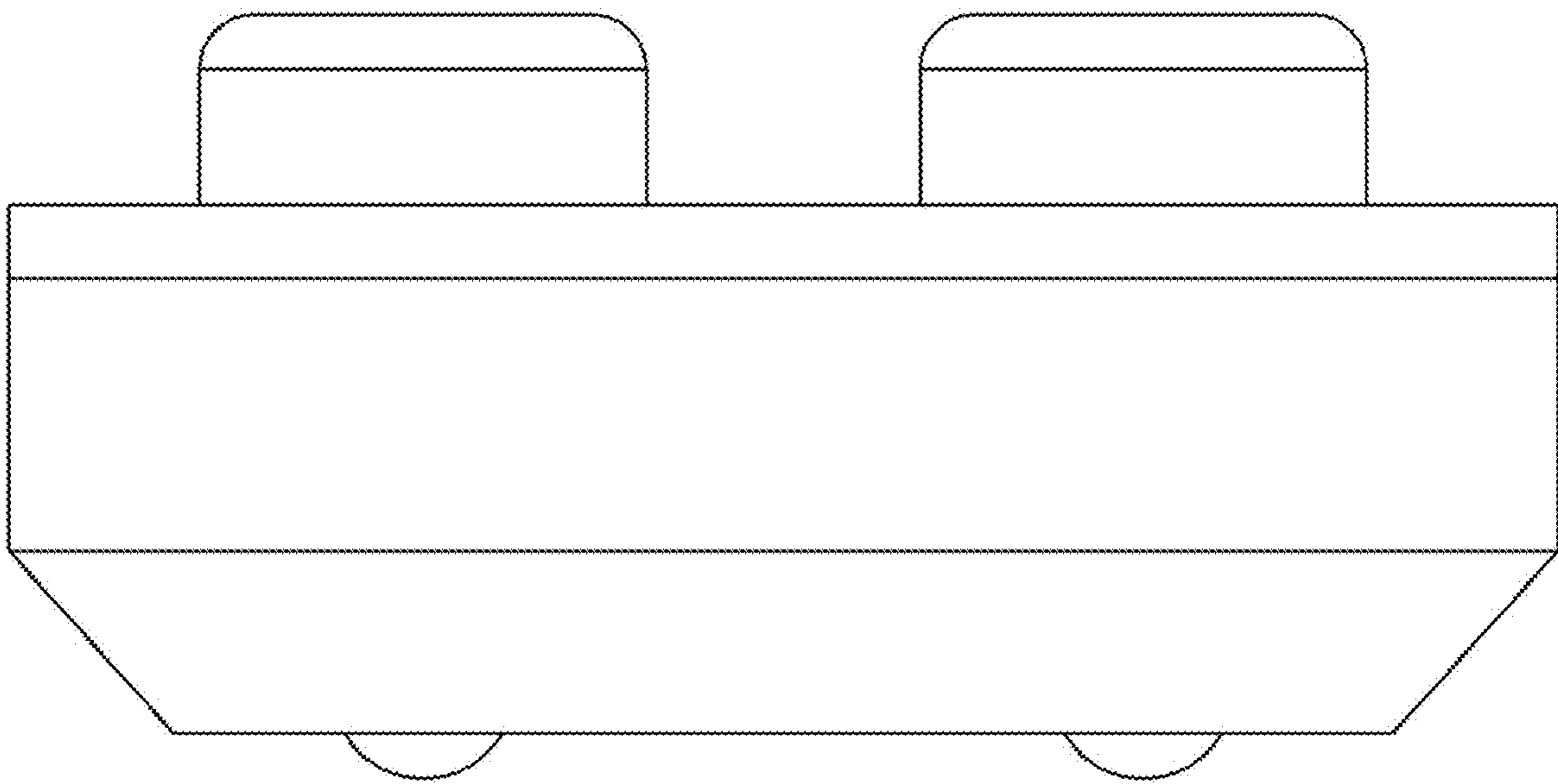




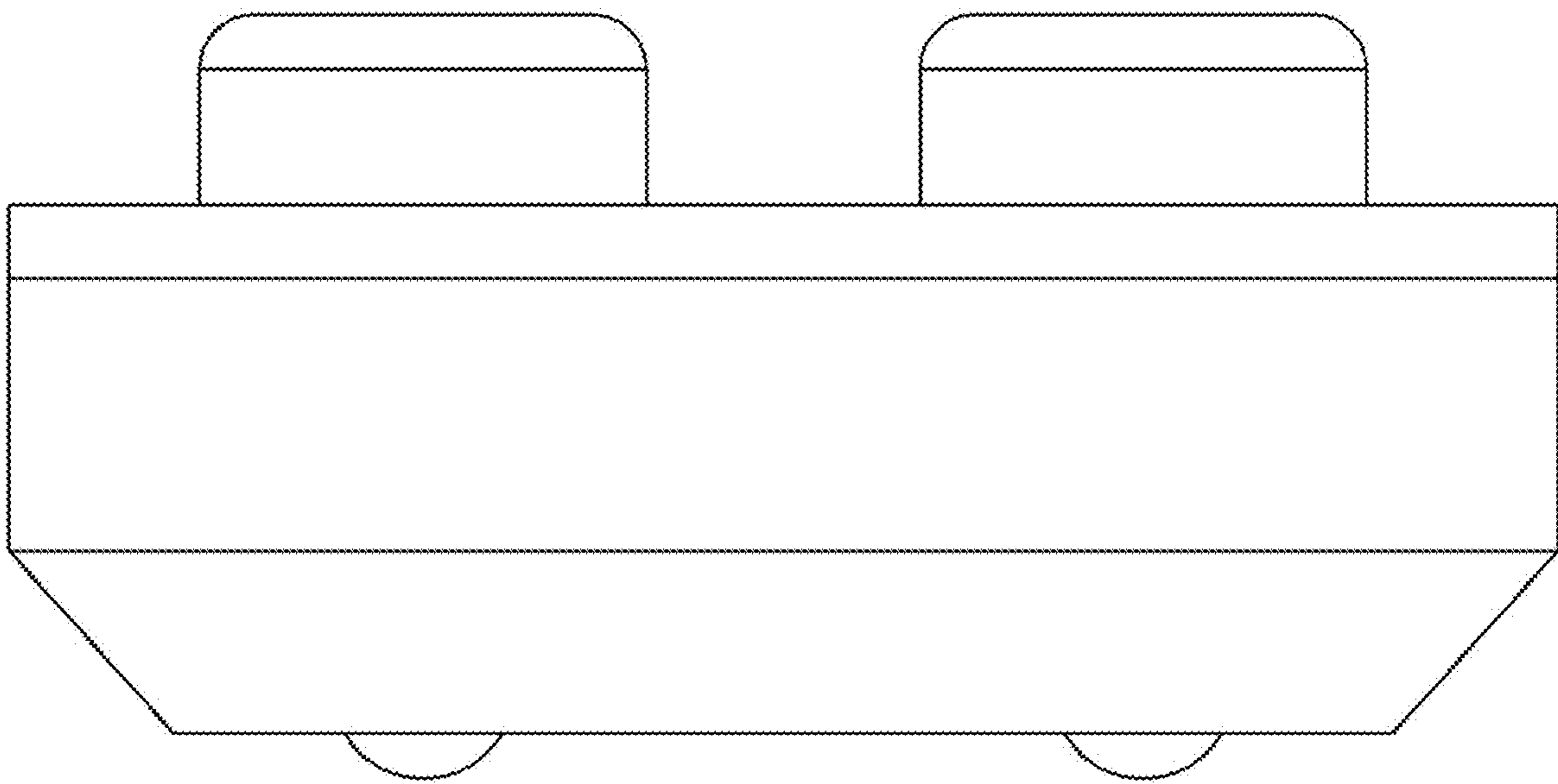
2.1



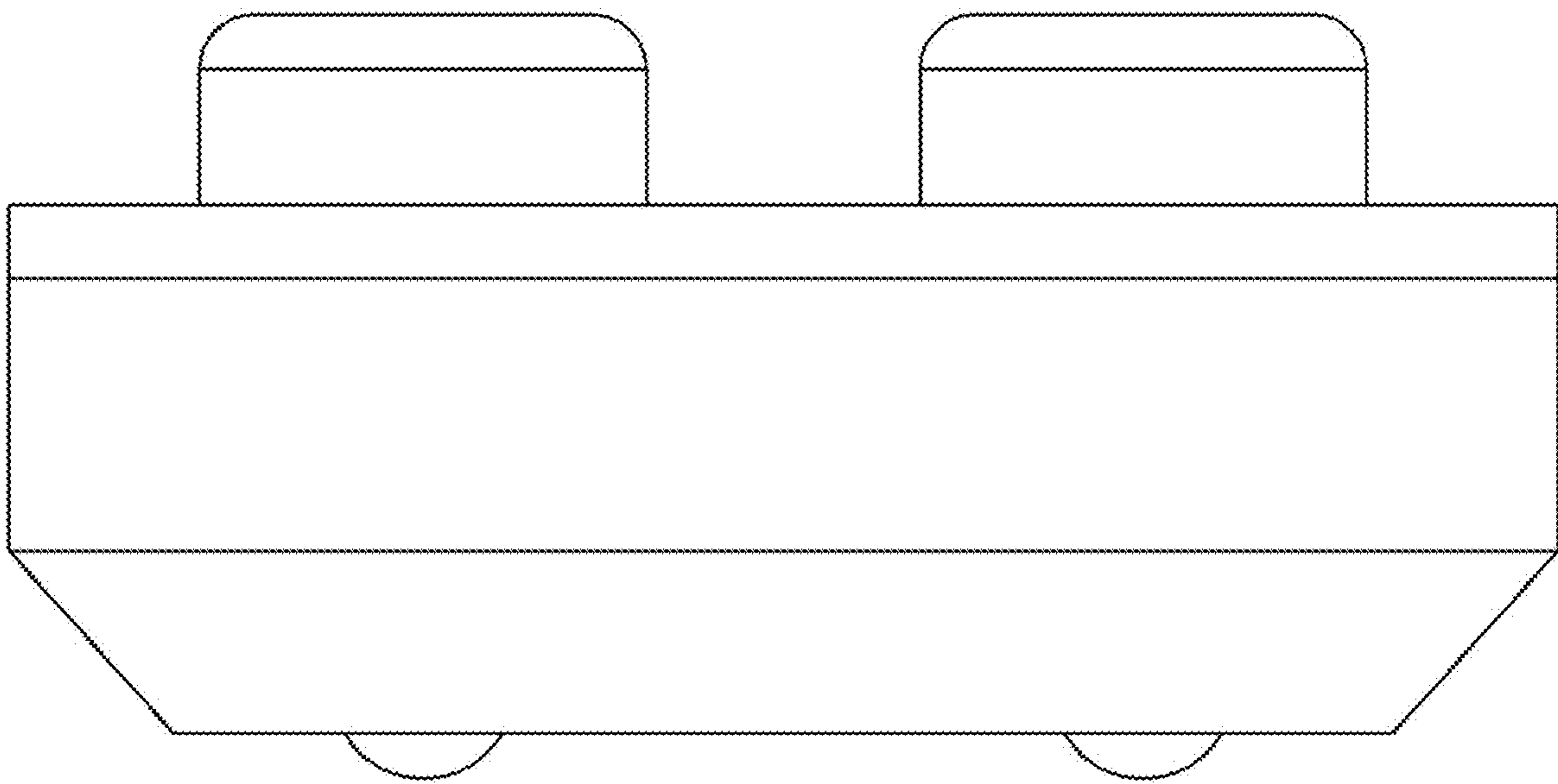
2.2



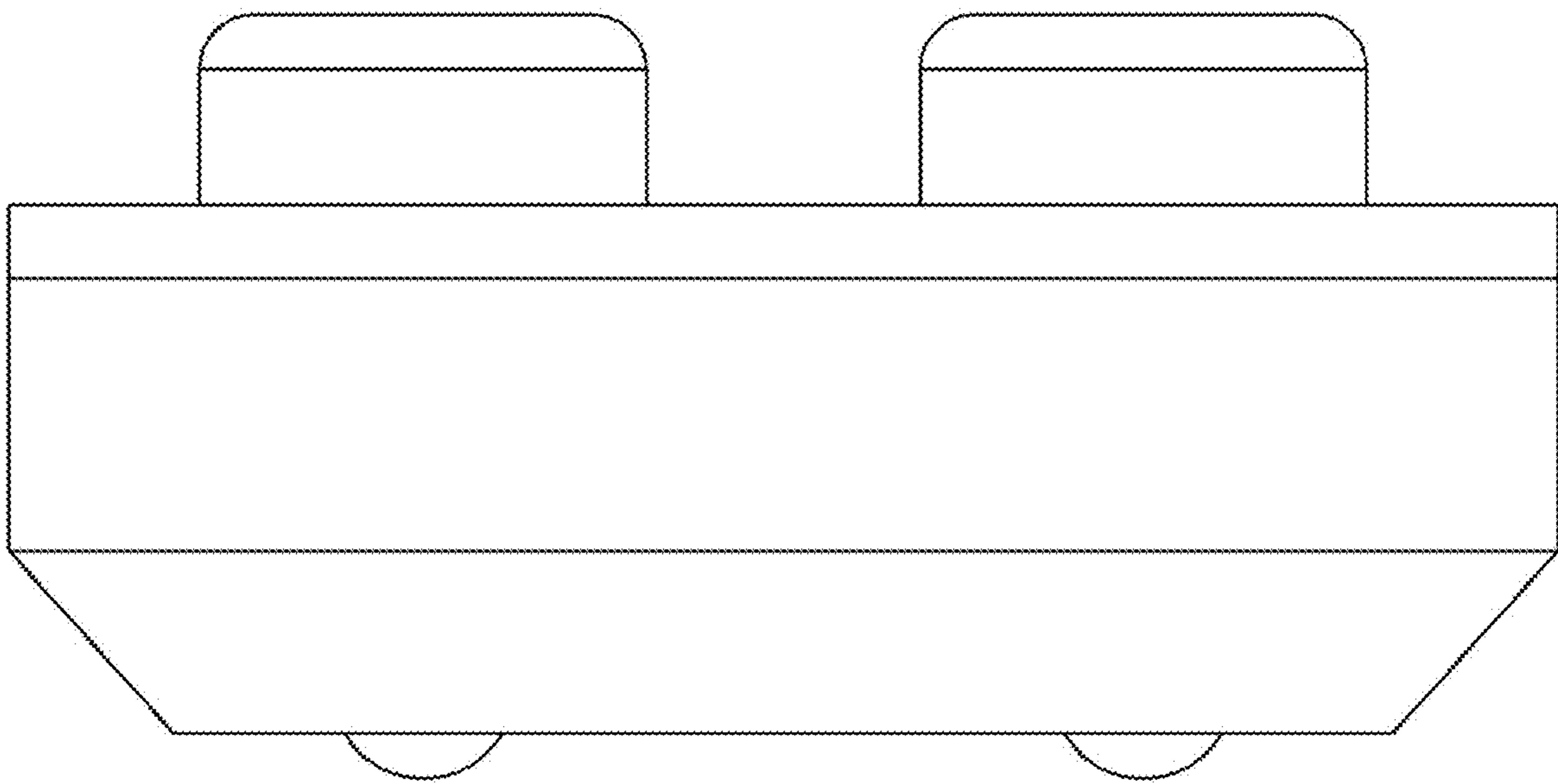
2.3



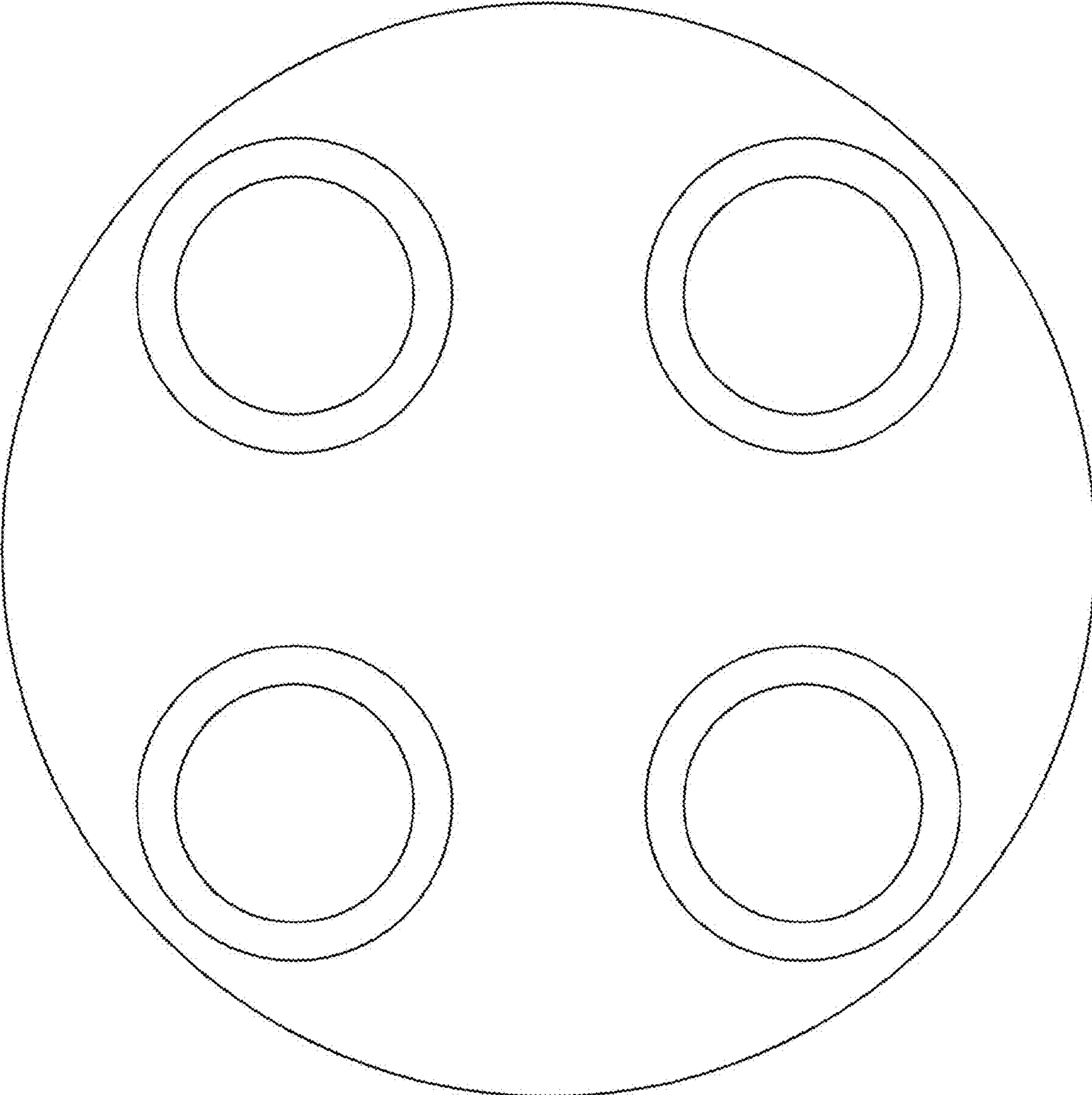
2.4



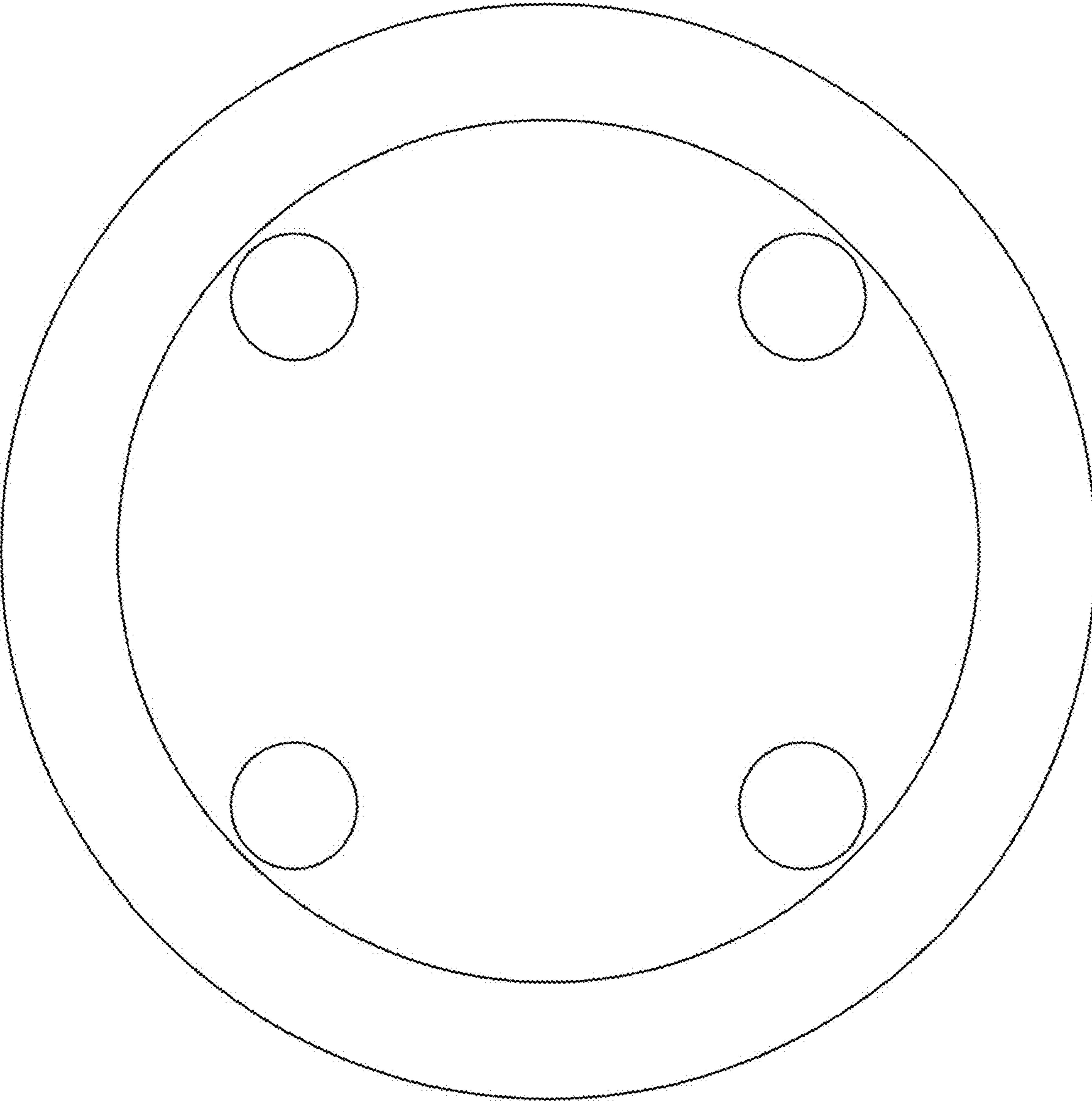
2.5



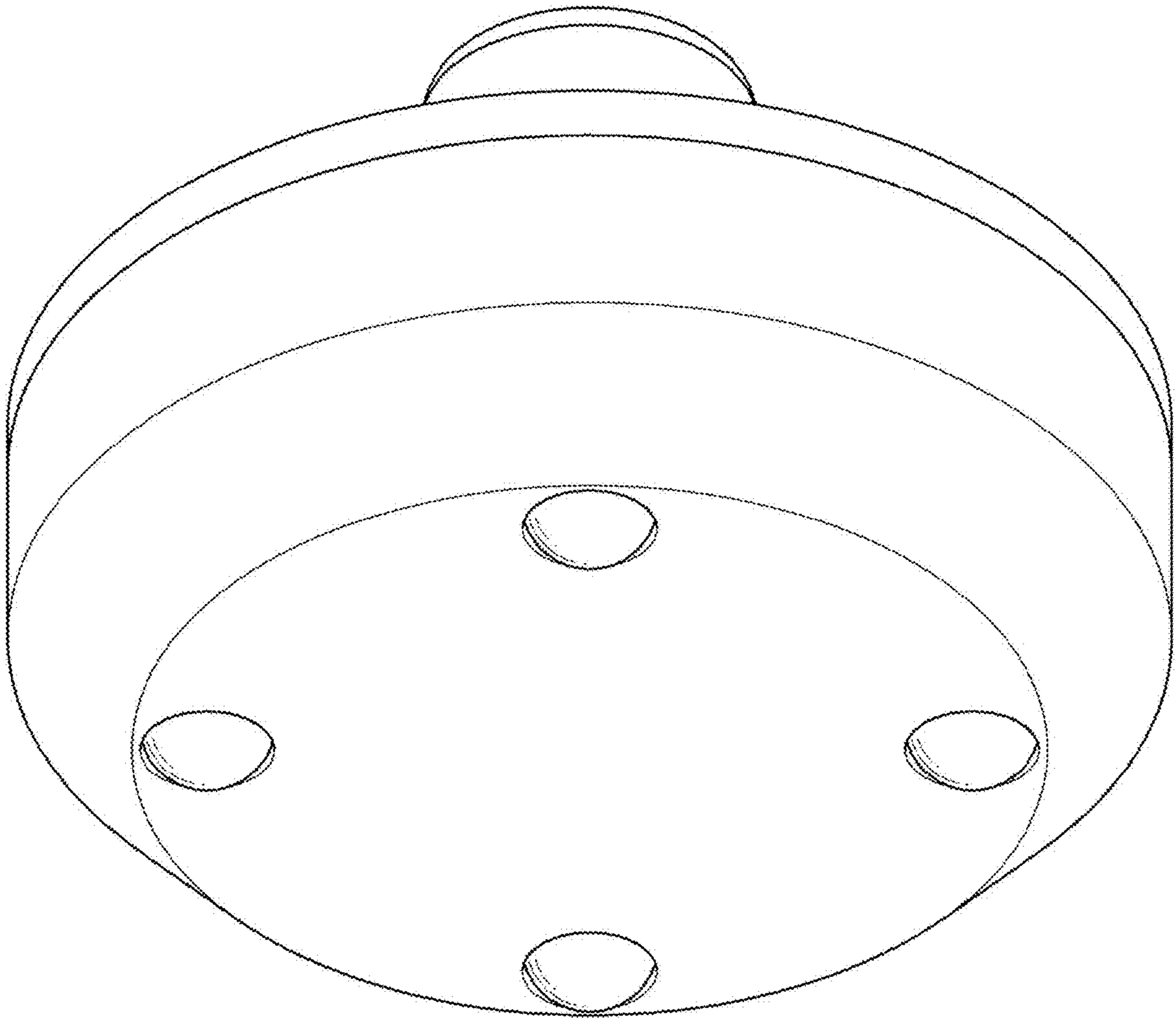
2.6



2.7

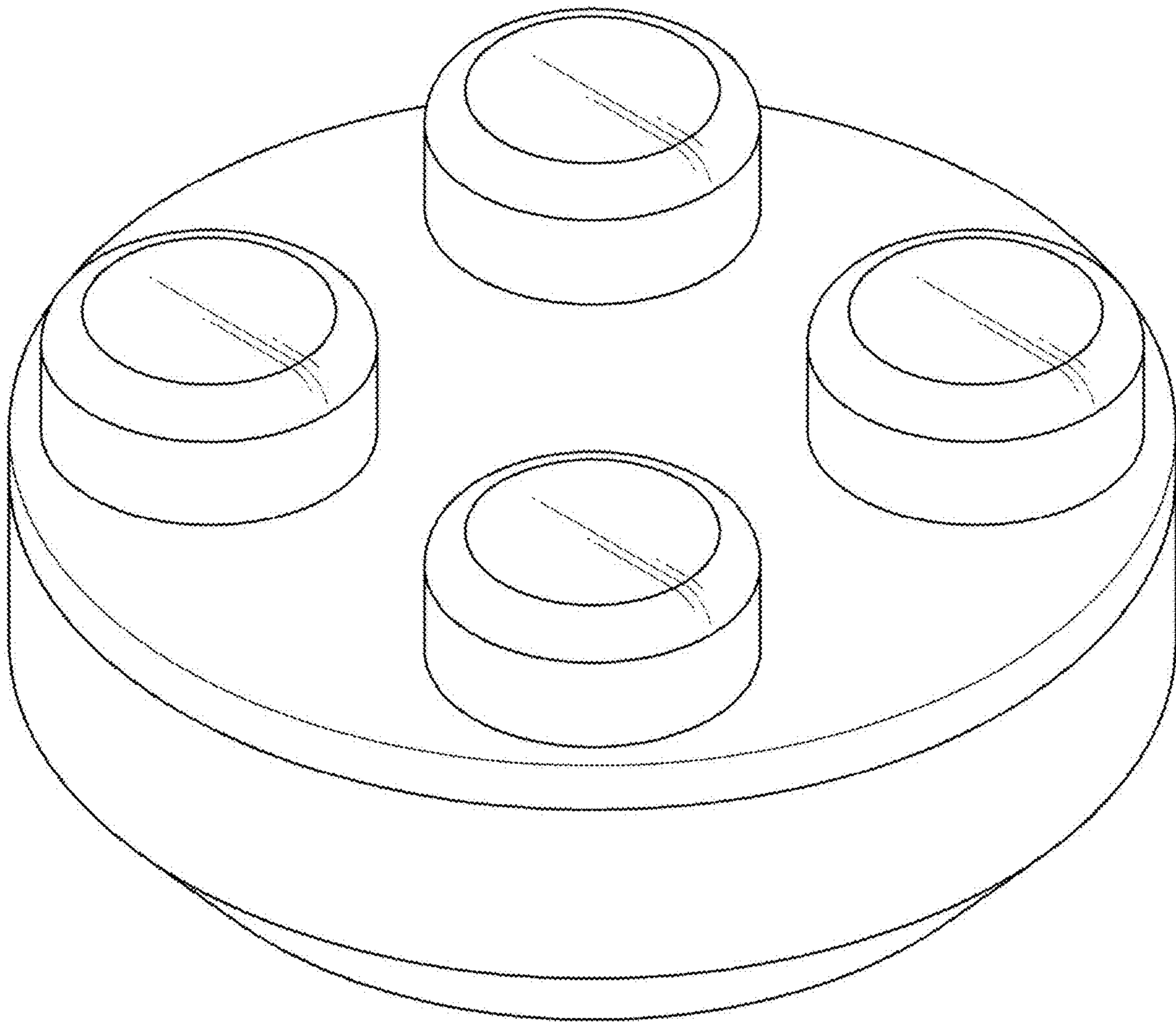


2.8

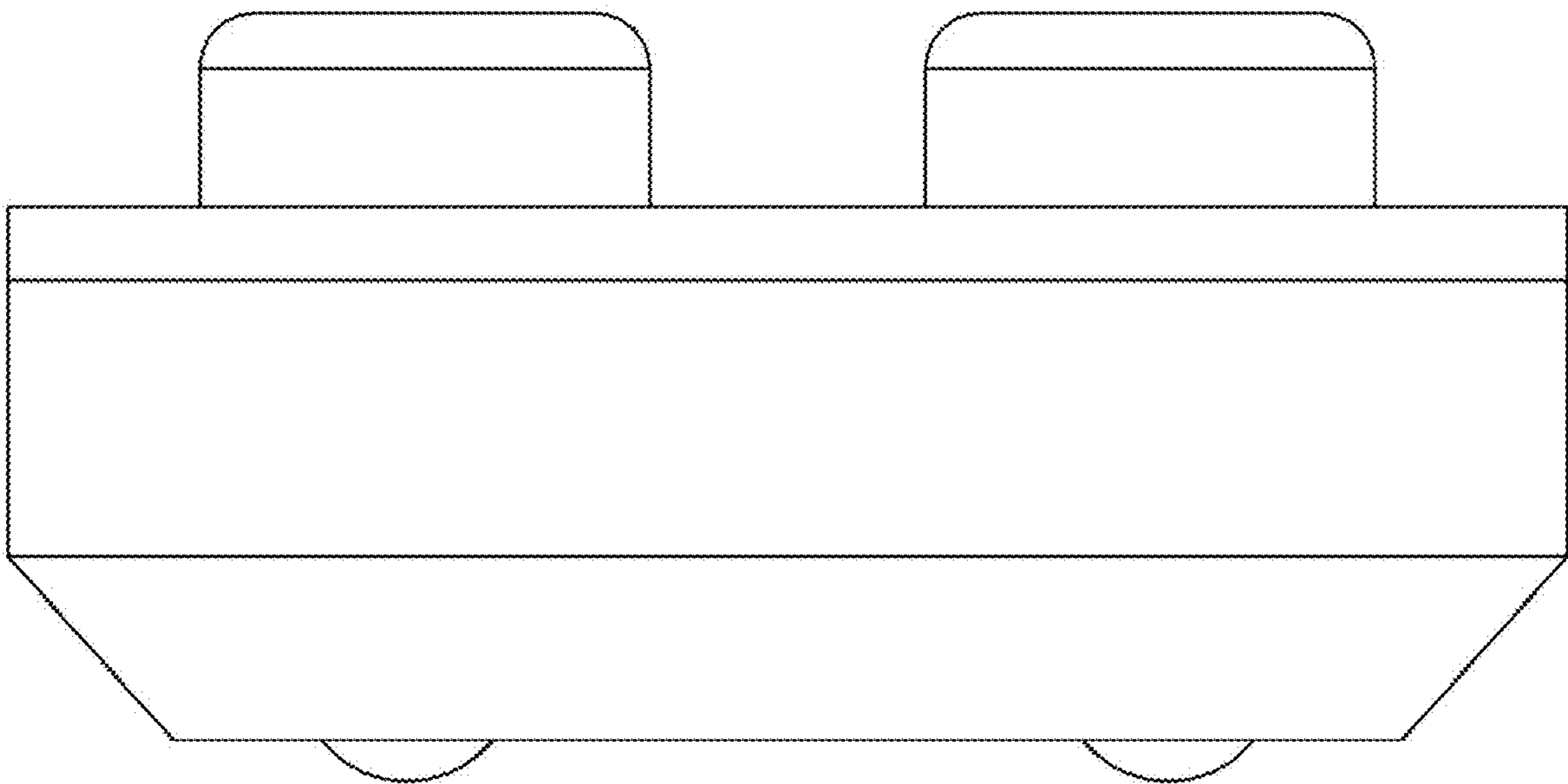




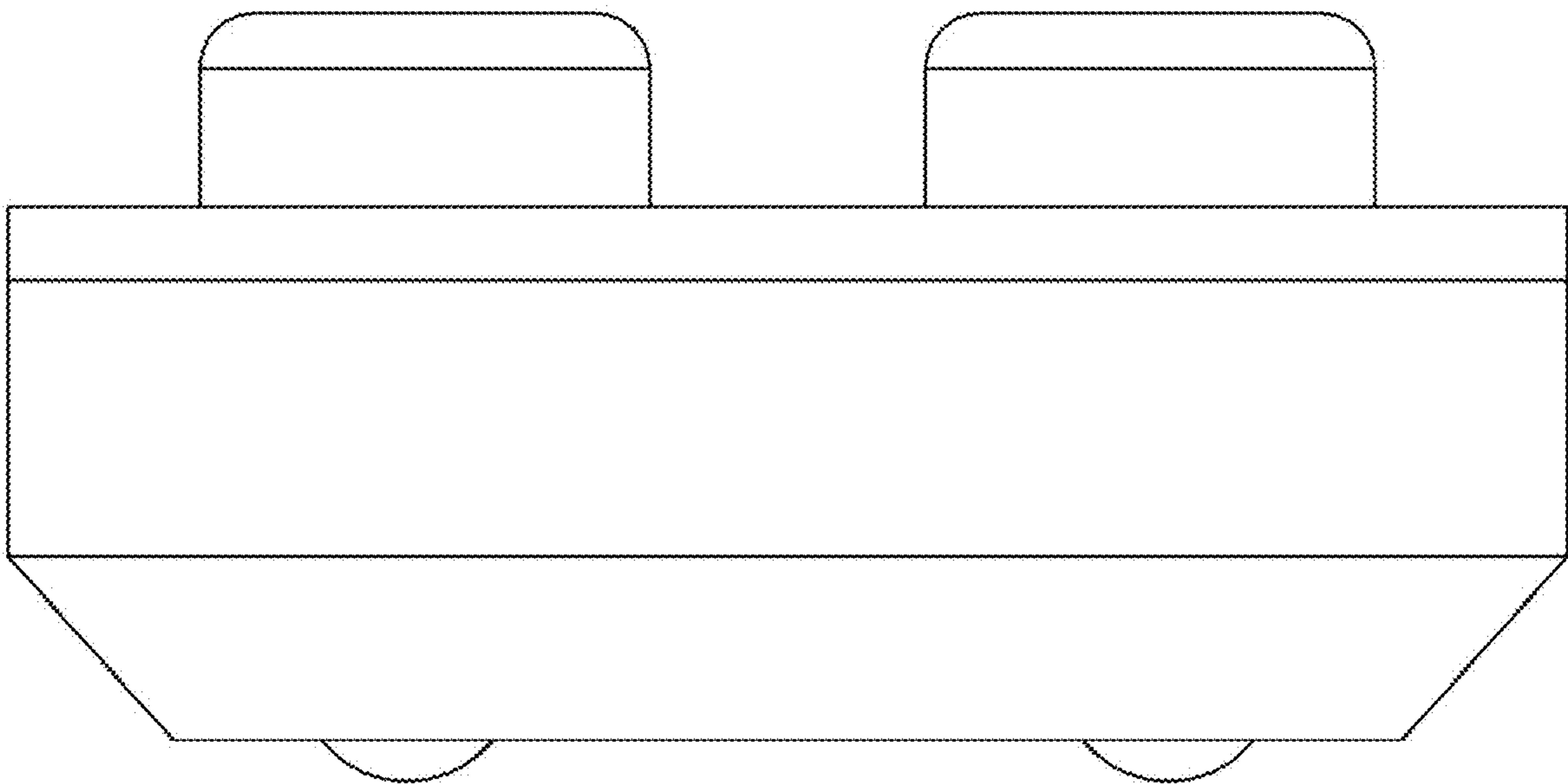
3.1



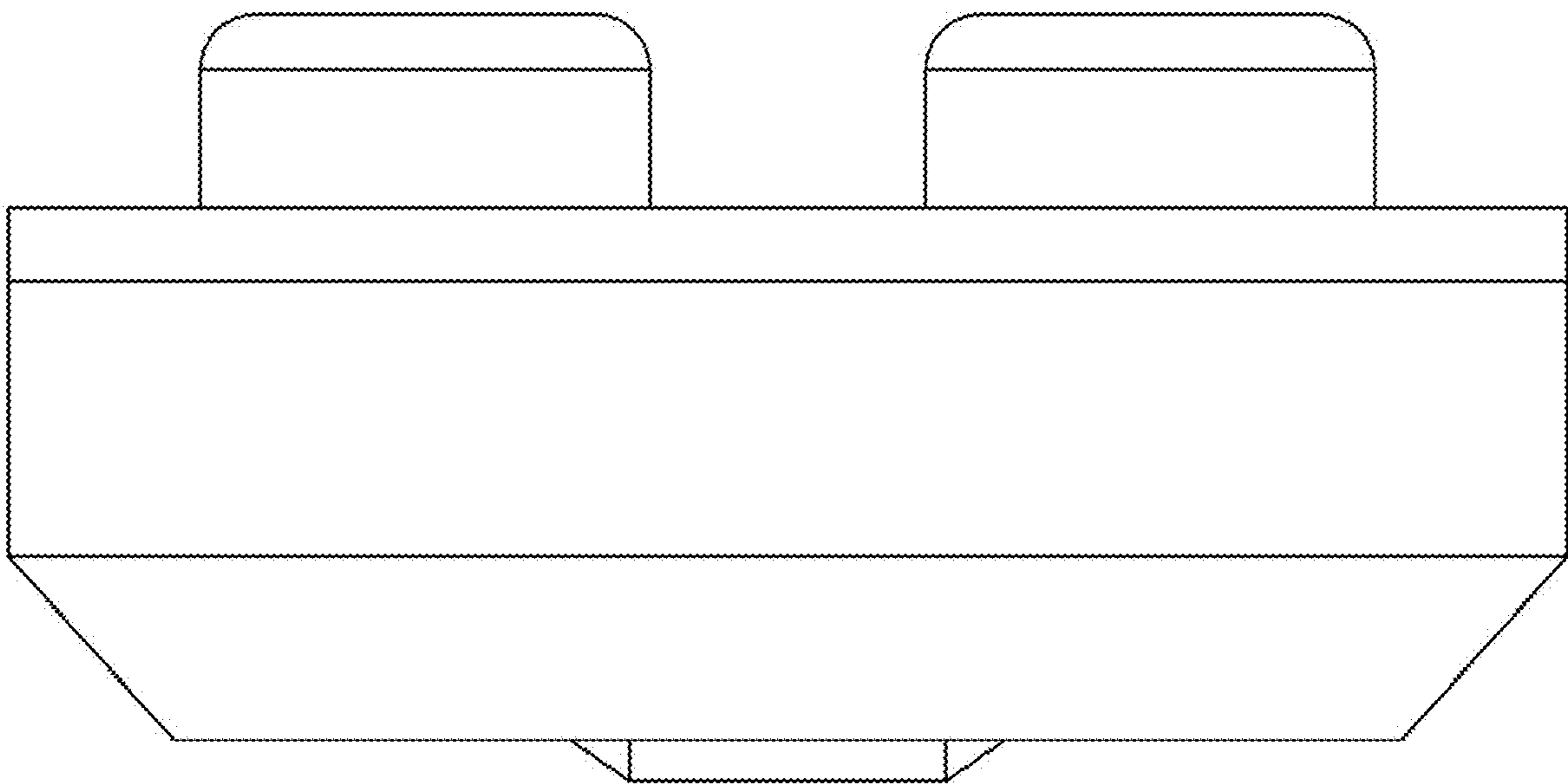
3.2



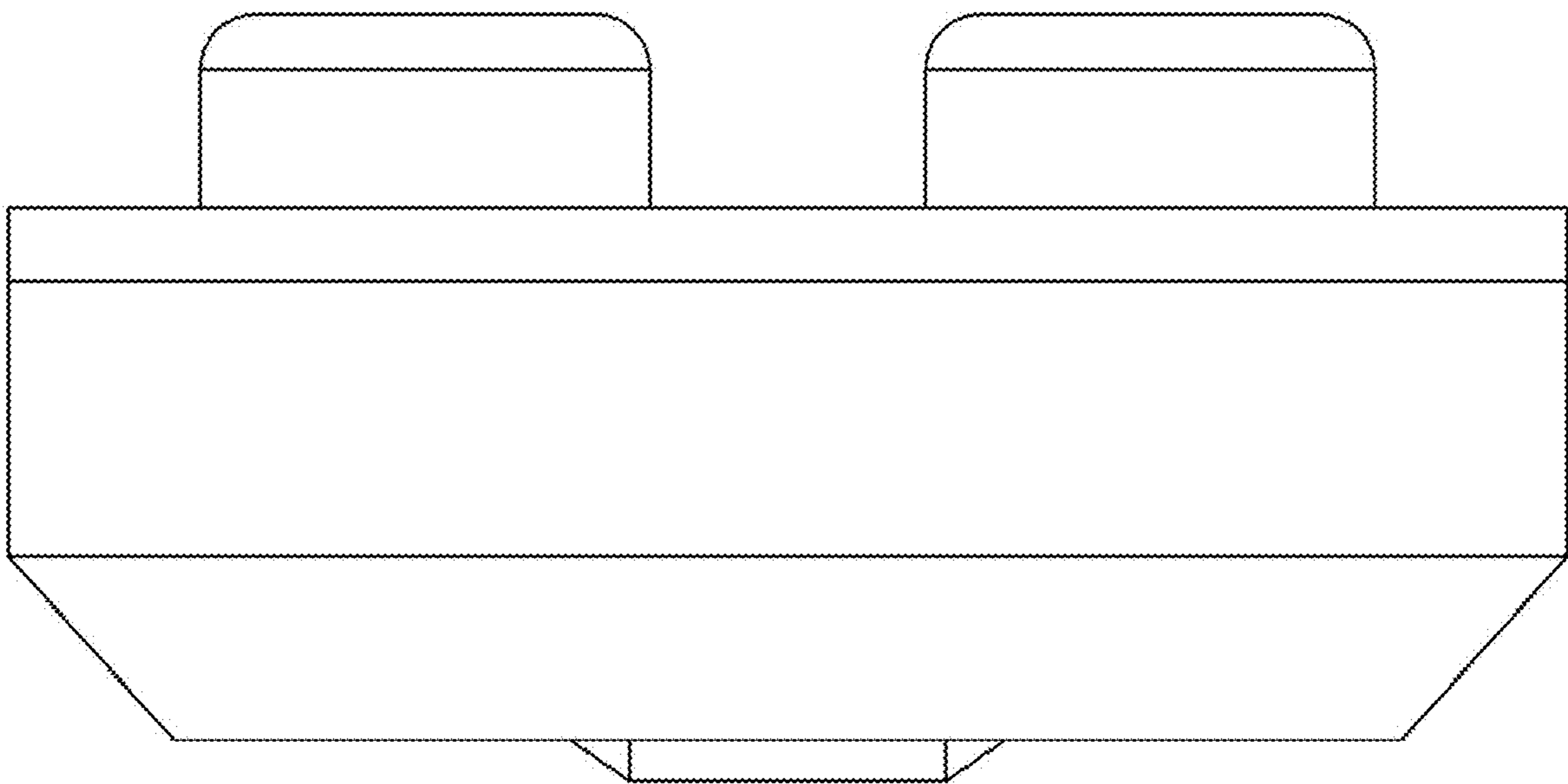
3.3



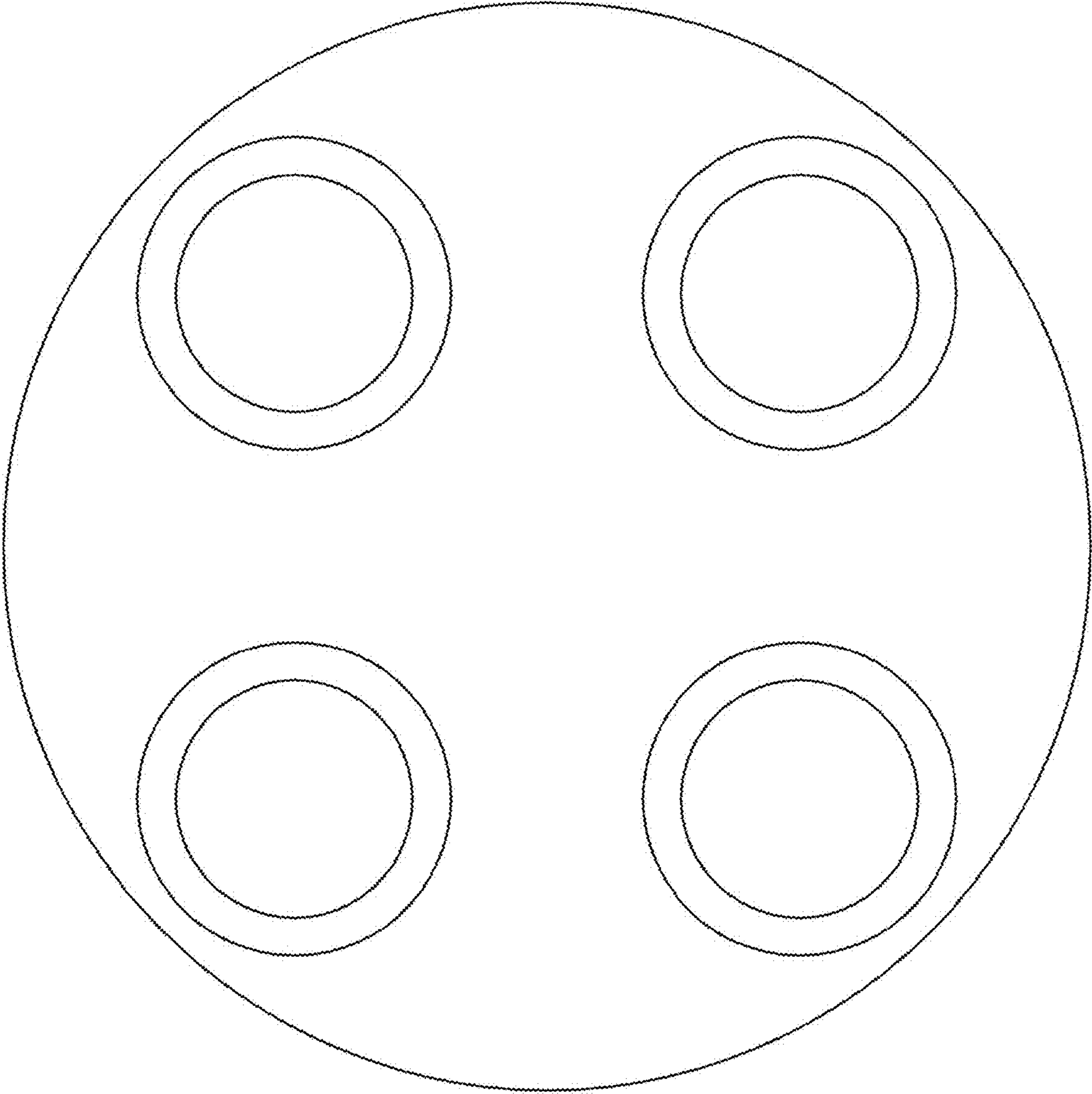
3.4



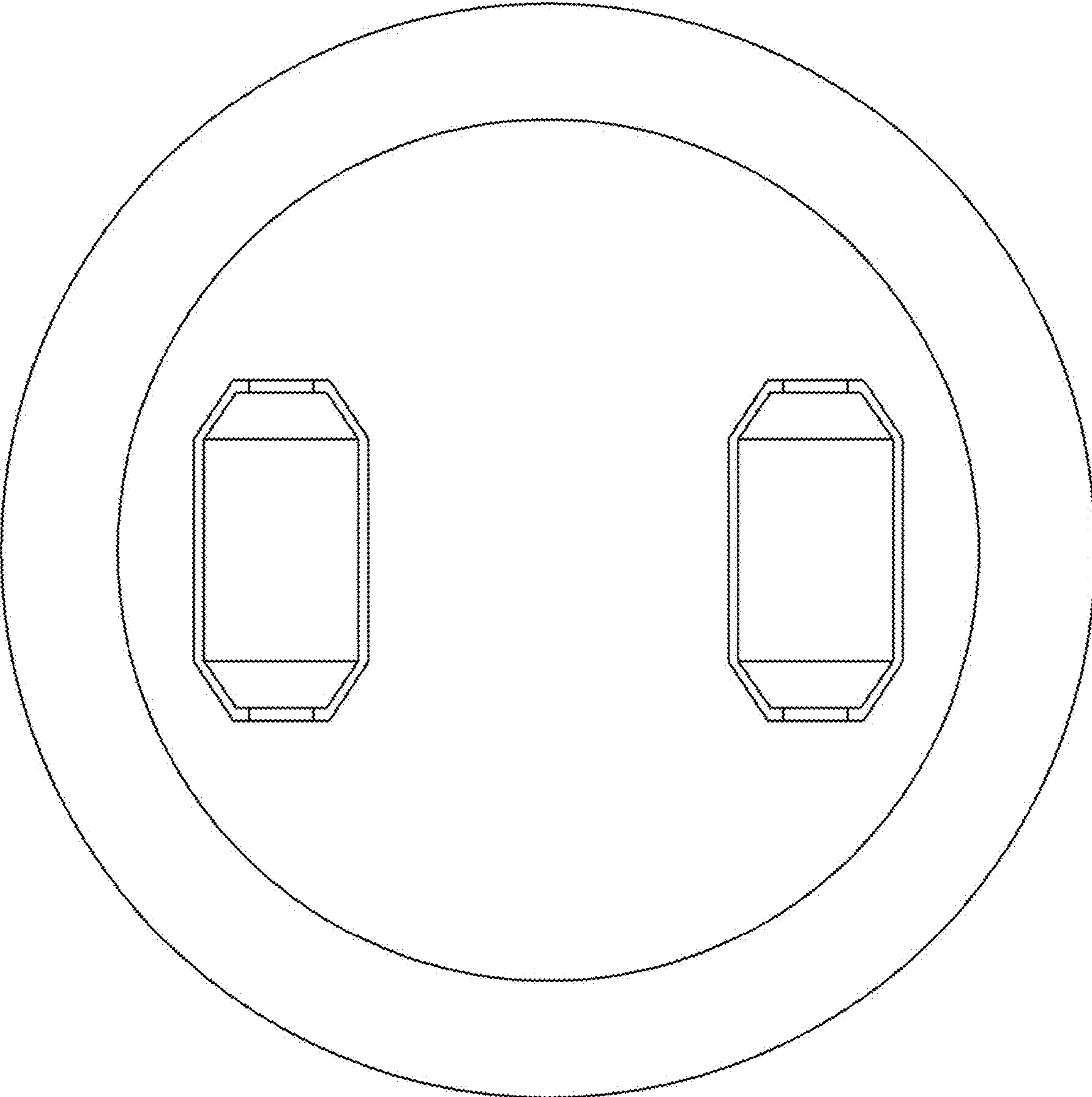
3.5



3.6



3.7



3.8

