



US00D959567S

(12) **United States Design Patent** (10) **Patent No.:** **US D959,567 S**
Gil (45) **Date of Patent:** **** Aug. 2, 2022**

(54) **BRICK FOR CONSTRUCTION TOYS**
(71) Applicant: **Sangchul Gil**, Hanam-si (KR)
(72) Inventor: **Sangchul Gil**, Hanam-si (KR)
(**) Term: **15 Years**
(21) Appl. No.: **29/824,031**
(22) Filed: **Jan. 21, 2022**

Related U.S. Application Data

(62) Division of application No. 35/511,106, filed on Jul. 3, 2020 (U.S. filing date under 35 U.S.C. 384), and having an international filing date of Jul. 3, 2020.
(51) **LOC (13) Cl.** **21-01**
(52) **U.S. Cl.**
USPC **D21/488**
(58) **Field of Classification Search**
USPC D21/483–505; D25/113–118
CPC A63H 33/04; A63H 33/044; A63H 33/046;
A63H 33/048; A63H 33/062; A63H
33/067; A63H 33/08; A63H 33/10; A63H
33/101; A63H 33/103; A63H 33/105;
A63H 33/106–108
See application file for complete search history.

References Cited

U.S. PATENT DOCUMENTS

D689,558 S * 9/2013 Jensen D21/487
D689,955 S * 9/2013 Jensen D21/488
D707,756 S * 6/2014 Jensen D21/488
D757,862 S * 5/2016 Ryaa D21/497
D762,267 S 7/2016 Glasband et al.
D777,264 S 1/2017 Marcil et al.
D818,056 S 5/2018 Lo

(Continued)

Primary Examiner — Joseph Kukella

(74) *Attorney, Agent, or Firm* — Revolution IP, PLLC

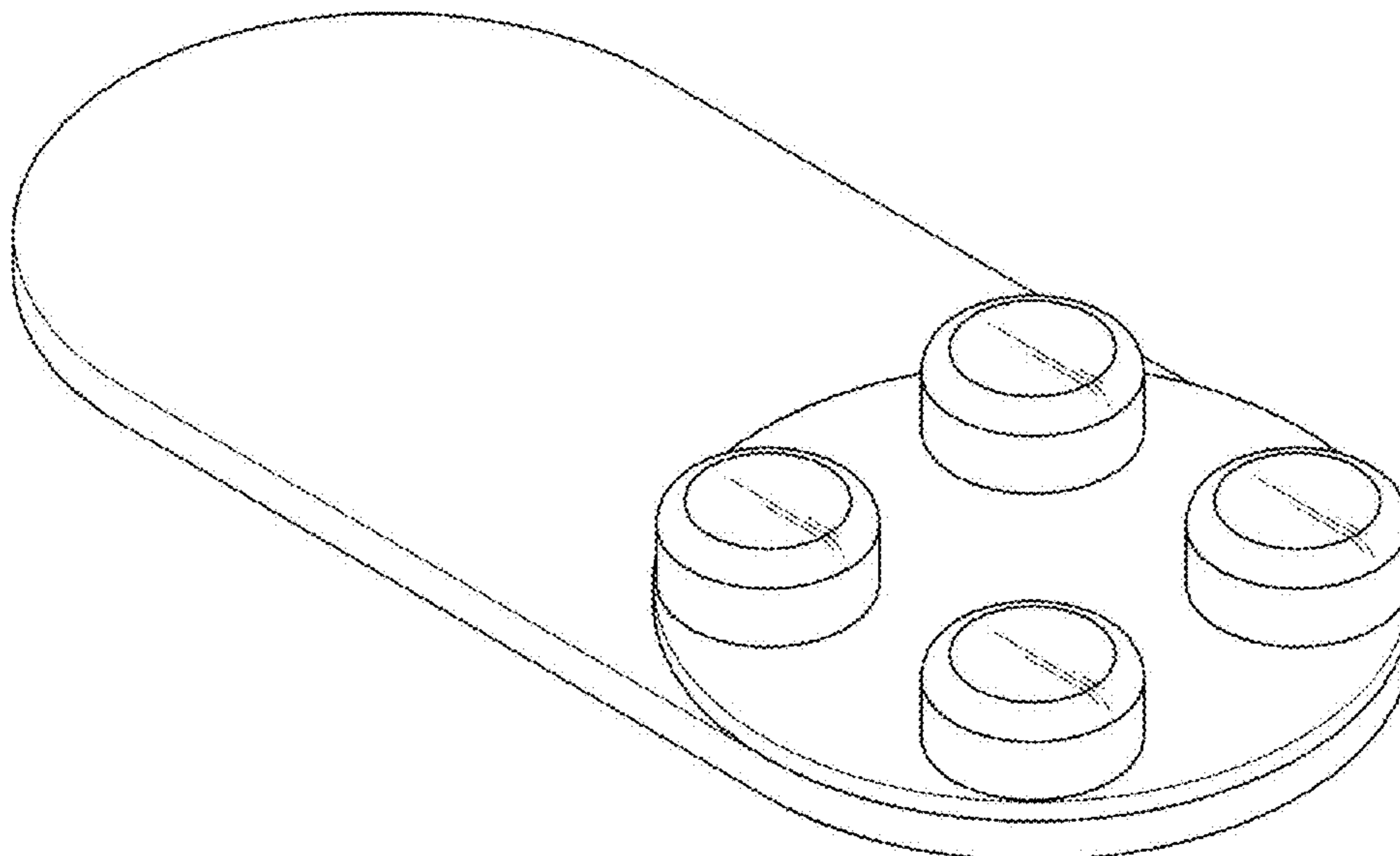
(57) **CLAIM**

The ornamental design for a brick for construction toys, as shown and described.

DESCRIPTION

FIG. 1 is a top perspective view of a first embodiment of a brick for construction toys showing the claimed design;
FIG. 2 is a front view thereof;
FIG. 3 is a rear view thereof;
FIG. 4 is a left side view thereof;
FIG. 5 is a right side view thereof;
FIG. 6 is a top view thereof;
FIG. 7 is a bottom view thereof;
FIG. 8 is another front view thereof showing a state in which an upper portion has moved upward;
FIG. 9 is a top perspective view of a second embodiment of a brick for construction toys showing the claimed design;
FIG. 10 is a front view thereof;
FIG. 11 is a rear view thereof;
FIG. 12 is a left side view thereof;
FIG. 13 is a right side view thereof;
FIG. 14 is a top view thereof;
FIG. 15 is a bottom view thereof;
FIG. 16 is another front view thereof showing a state in which an upper portion has moved upward;
FIG. 17 is a bottom perspective view thereof;
FIG. 18 is a top perspective view of a third embodiment of a brick for construction toys showing the claimed design;
FIG. 19 is a front view thereof;
FIG. 20 is a rear view thereof;
FIG. 21 is a left side view thereof;
FIG. 22 is a right side view thereof;
FIG. 23 is a top view thereof;
FIG. 24 is a bottom view thereof;
FIG. 25 is another front view thereof showing a state in which an upper portion has moved upward; and,
FIG. 26 is a front, bottom perspective view thereof.

1 Claim, 26 Drawing Sheets



(56)

References Cited

U.S. PATENT DOCUMENTS

D830,474 S 10/2018 Holman
D832,934 S 11/2018 Kogure
D849,853 S 5/2019 Chen et al.
D857,112 S 8/2019 Cowie et al.
D858,651 S 9/2019 Barwald et al.
D868,897 S * 12/2019 Schlangen D21/302
D869,567 S * 12/2019 Holman D21/492
D890,858 S 7/2020 Grove
D891,531 S 7/2020 Zhang et al.
10,786,748 B2 * 9/2020 Deng A63H 33/08
D903,782 S 12/2020 Semling
D903,783 S 12/2020 Semling
D907,521 S 1/2021 Beaber
11,247,141 B2 * 2/2022 Tusacciu A63H 33/046
D944,898 S * 3/2022 Davies D21/491
11,273,386 B2 * 3/2022 Deng A63H 33/08

* cited by examiner

FIG. 1

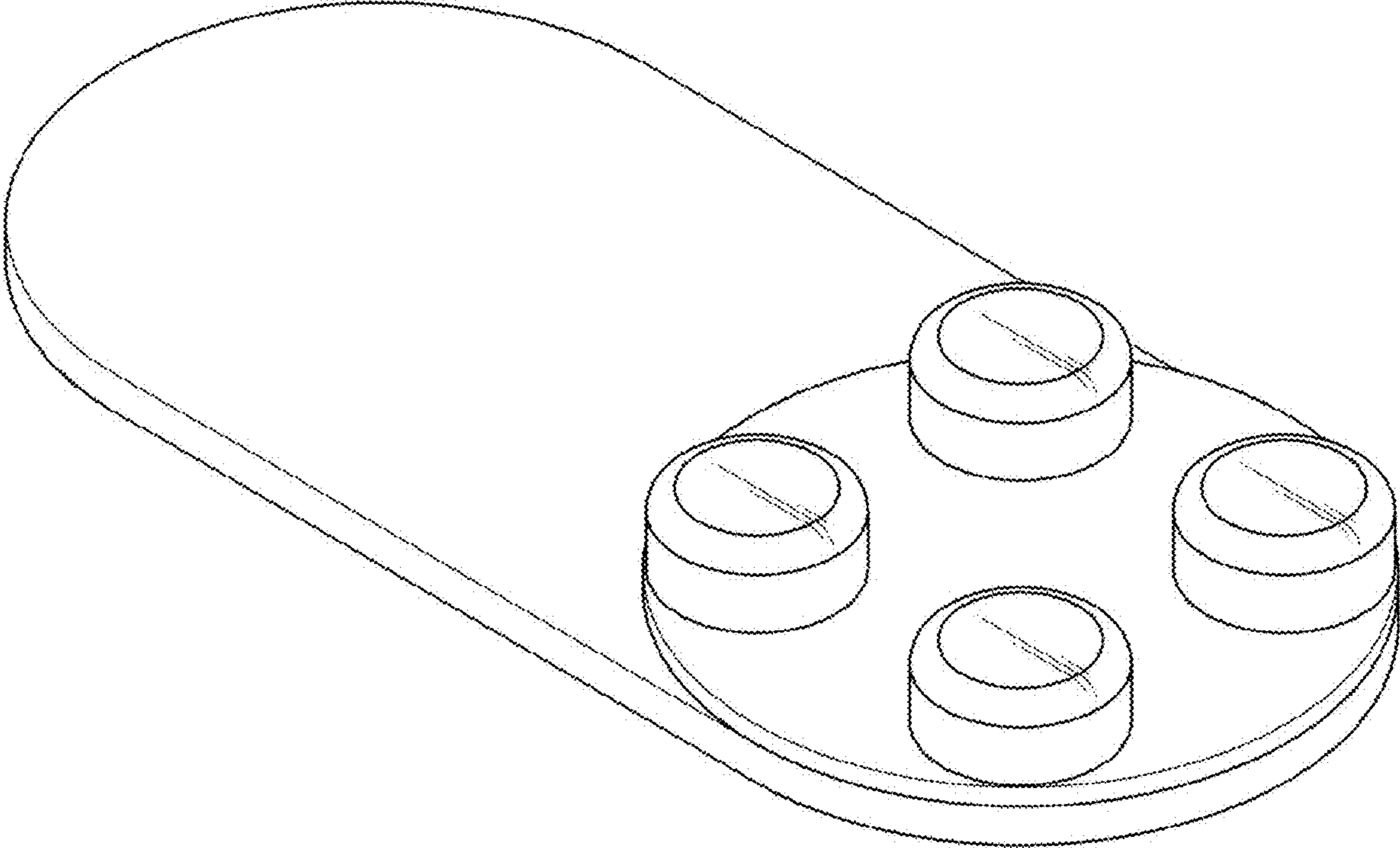


FIG. 2

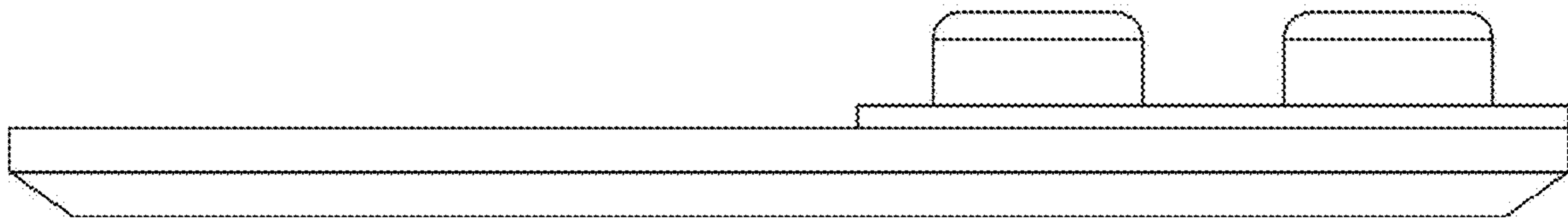


FIG. 3

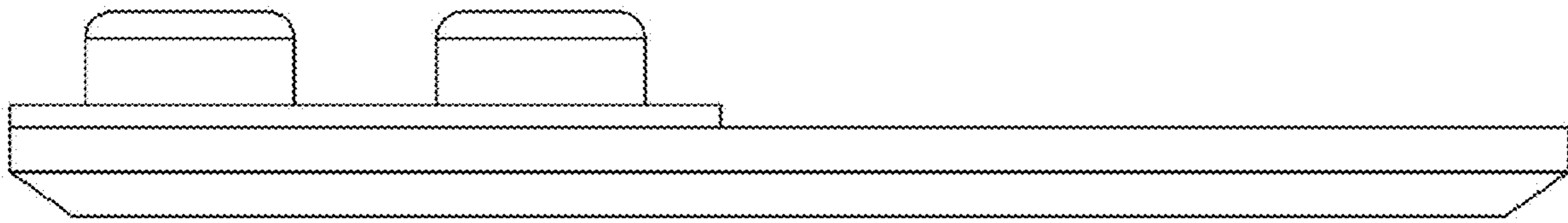


FIG. 4

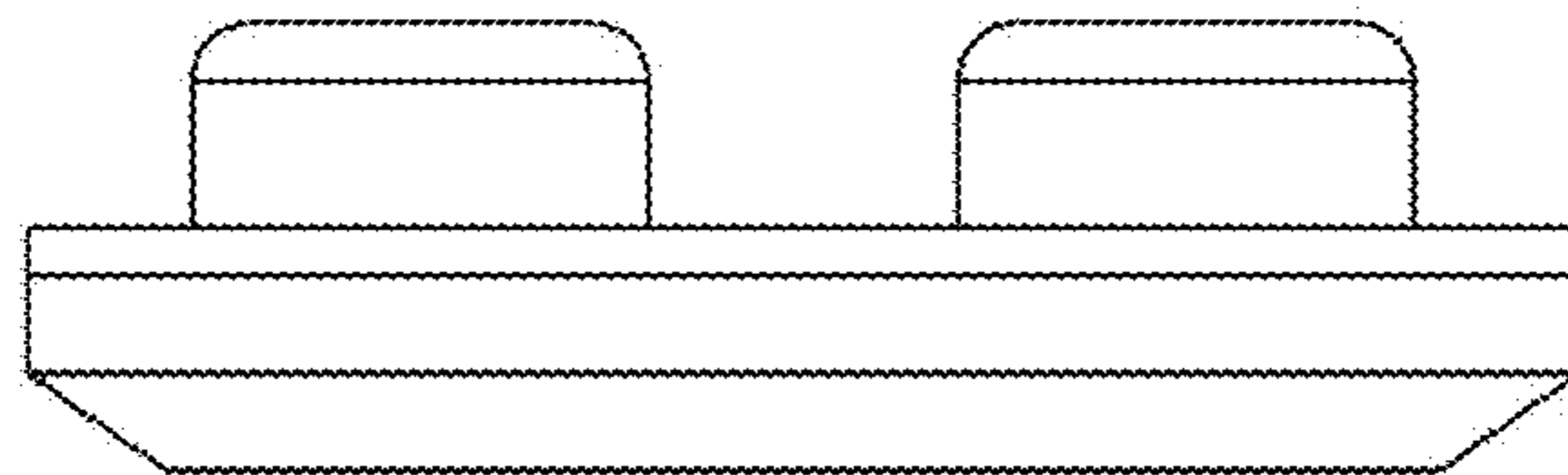


FIG. 5

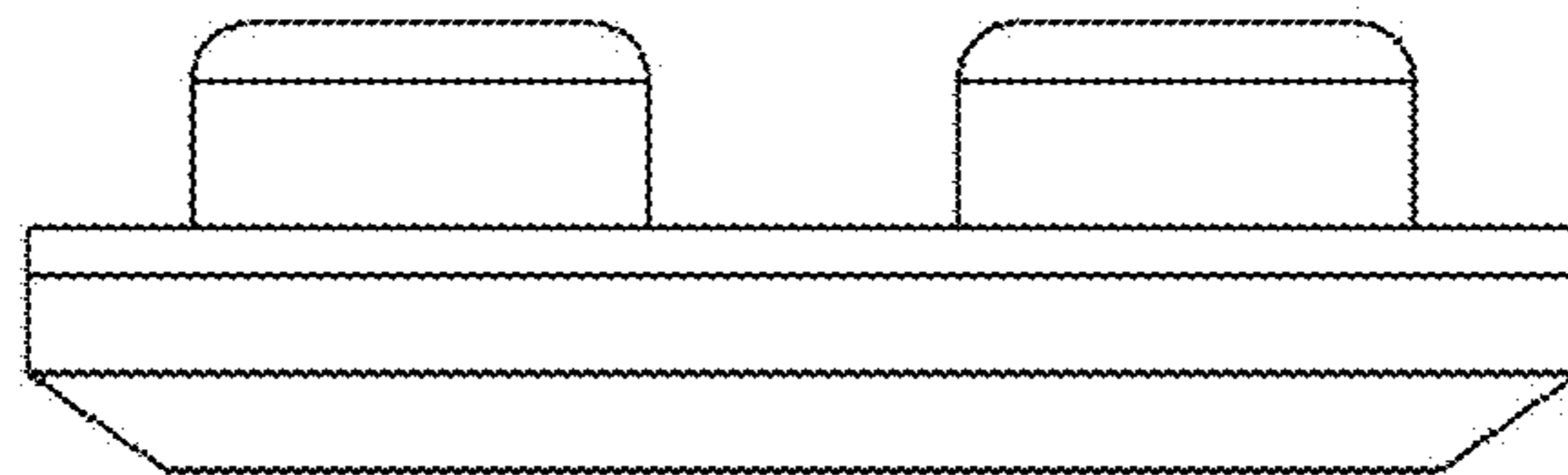


FIG. 6

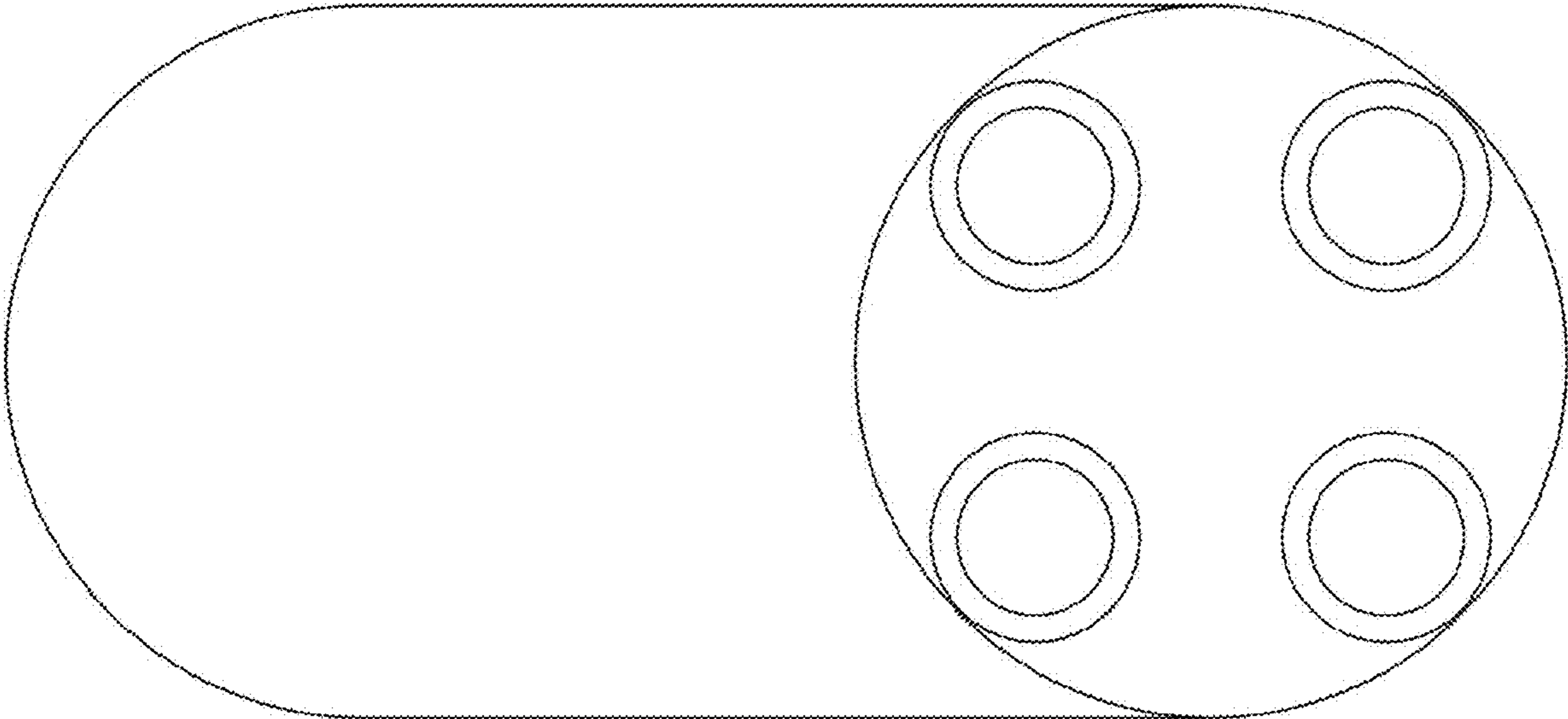


FIG. 7

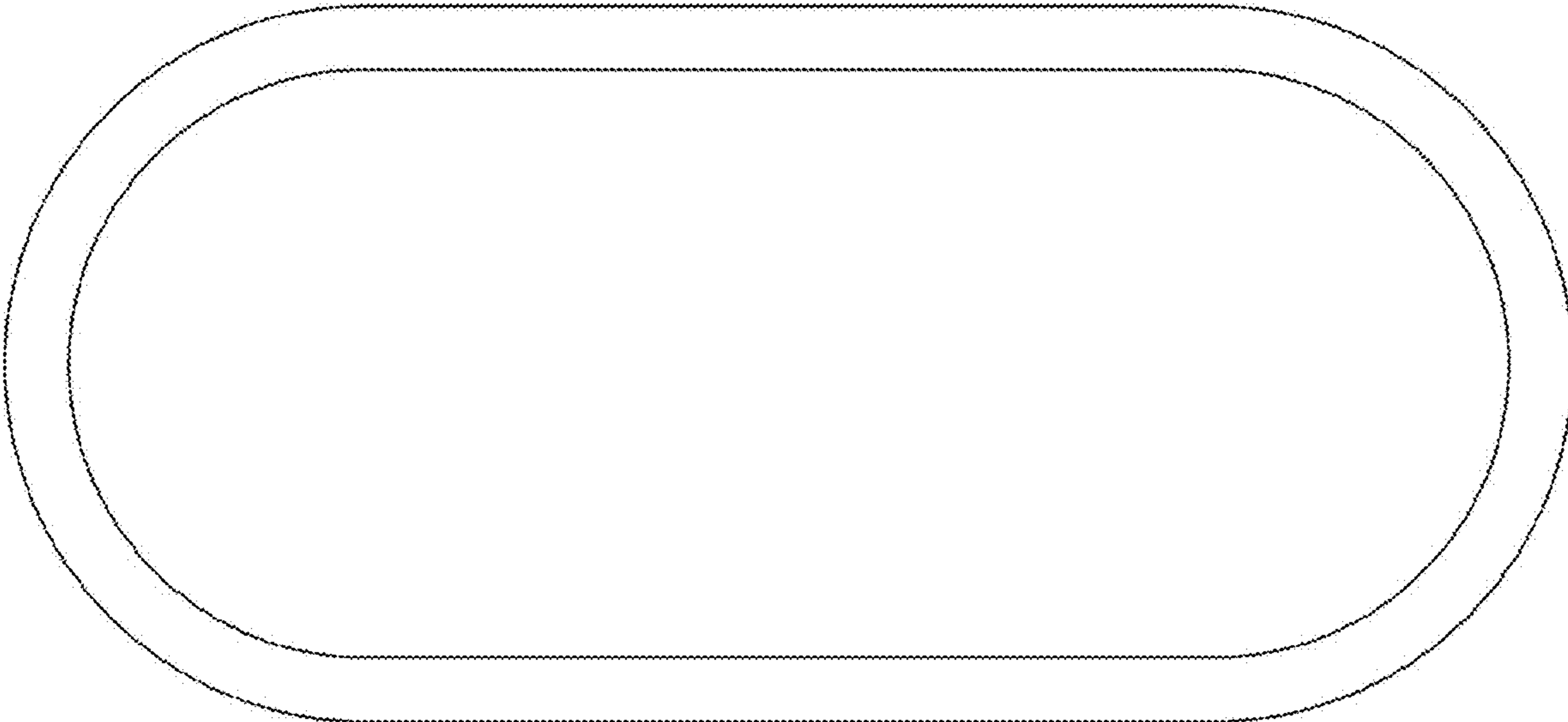


FIG. 8

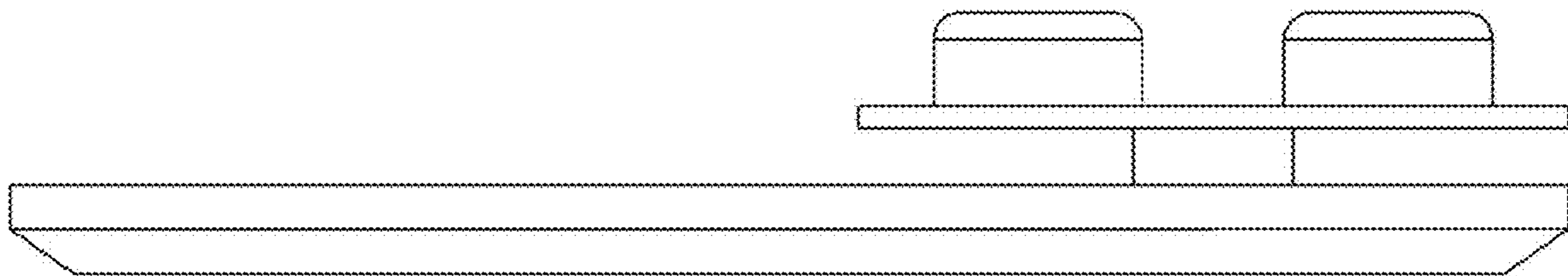


FIG. 9

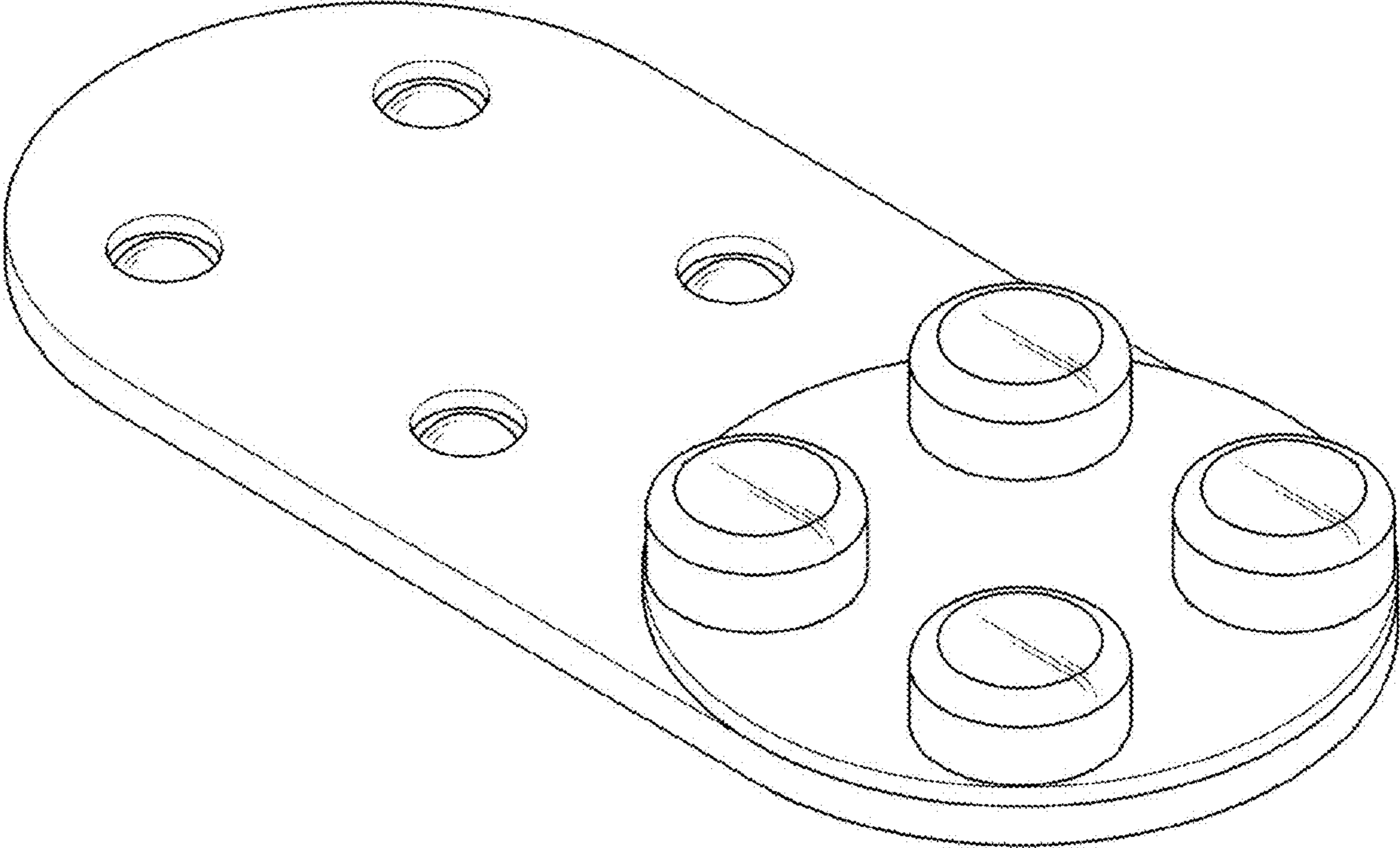


FIG. 10



FIG. 11

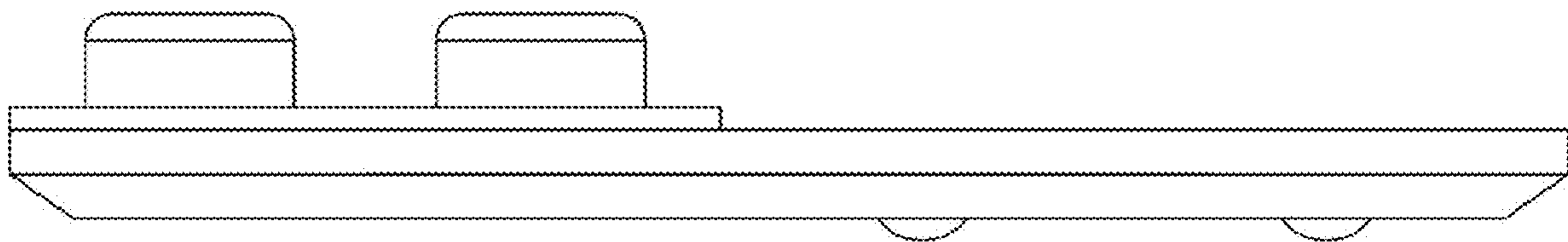


FIG. 12

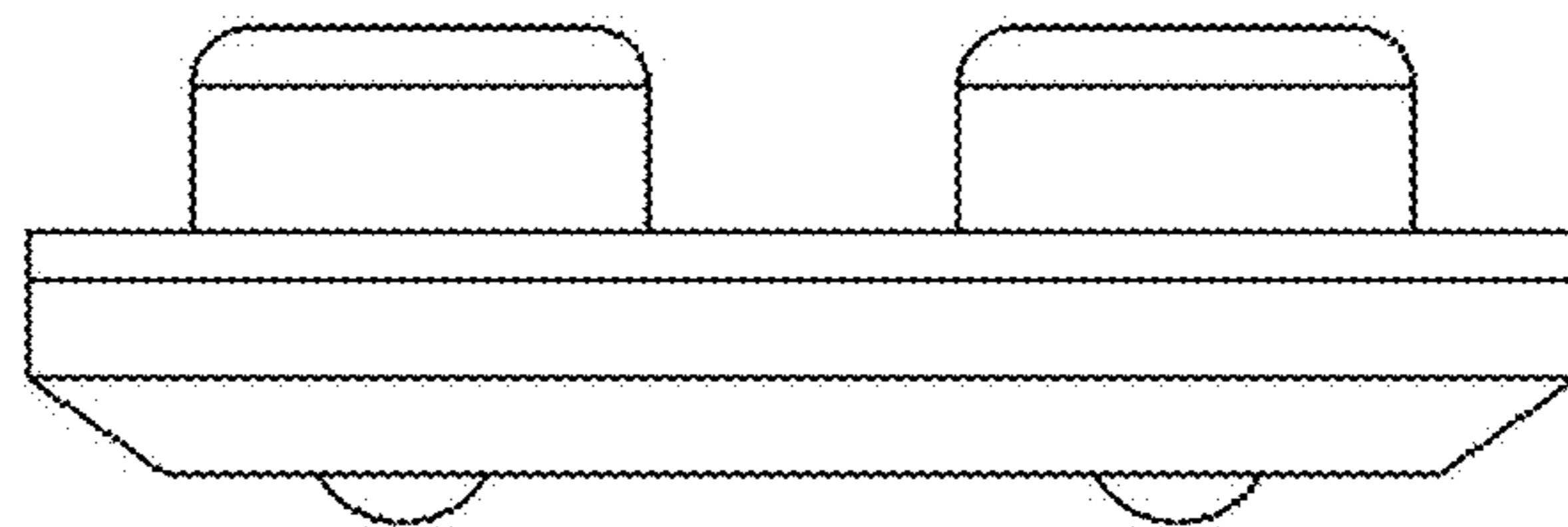


FIG. 13

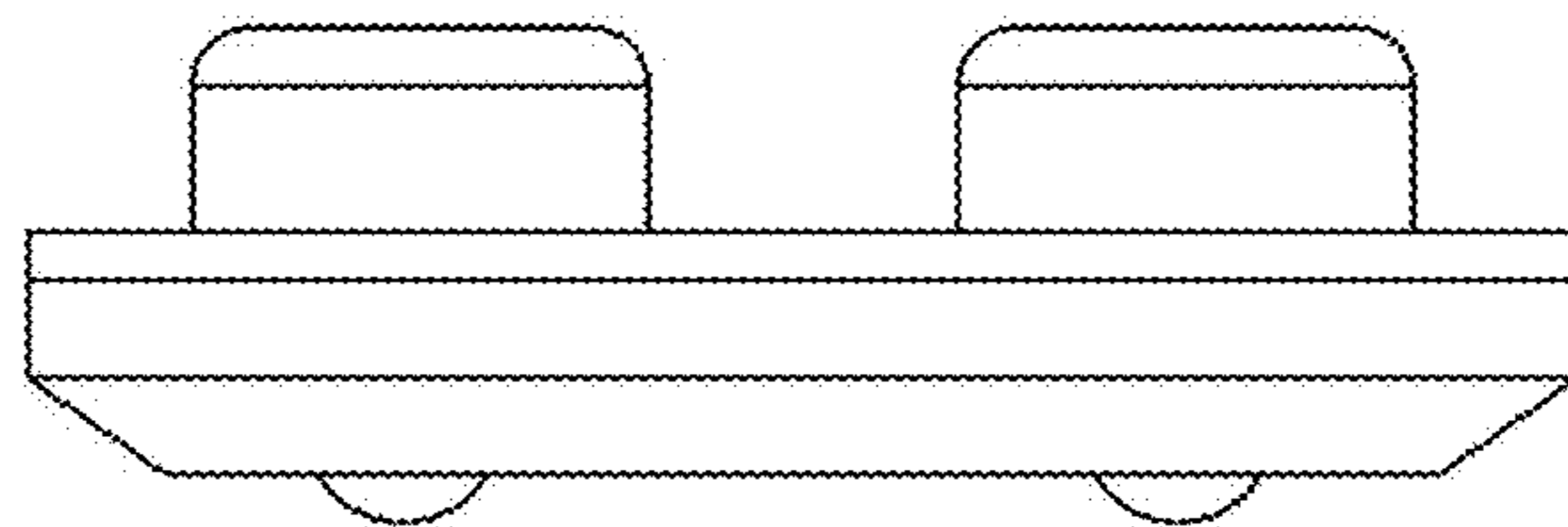


FIG. 14

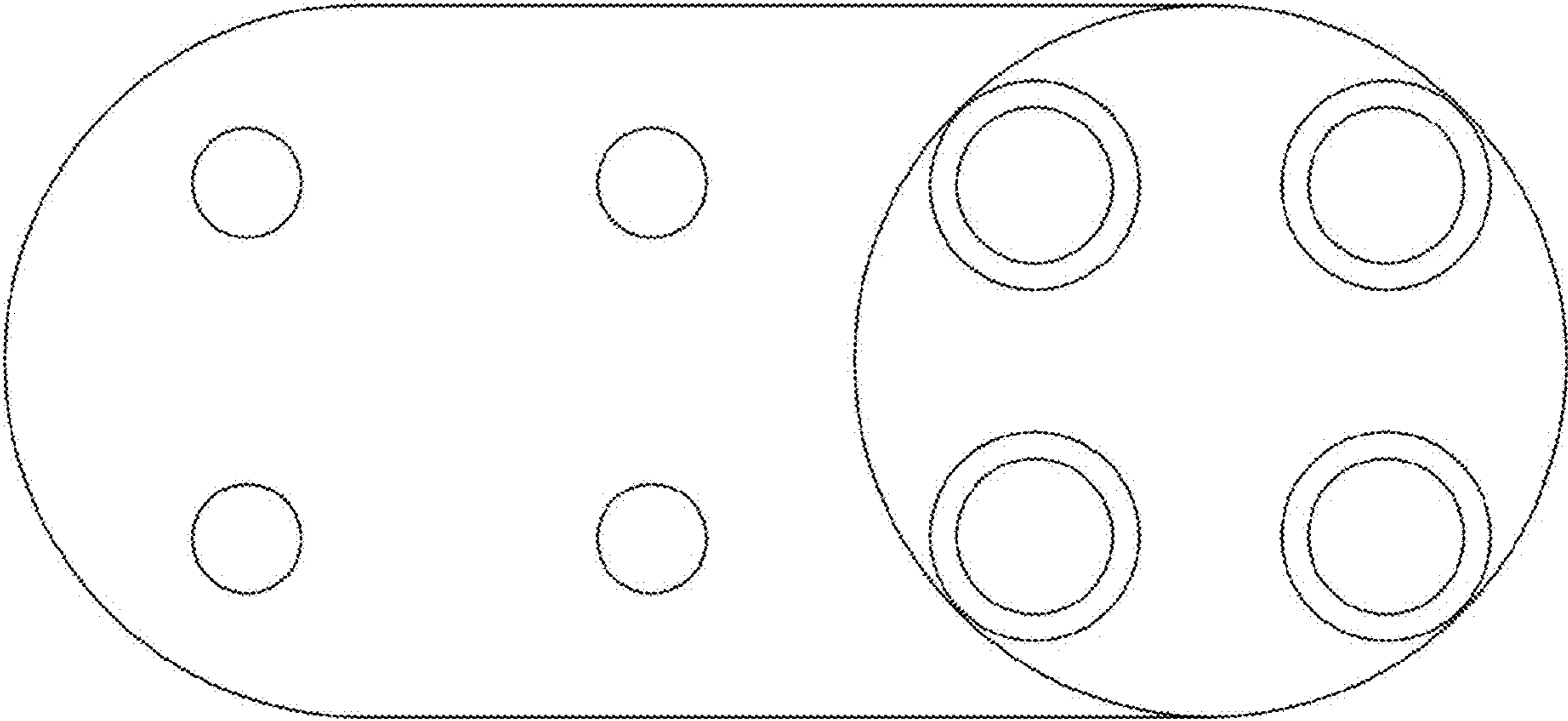


FIG. 15

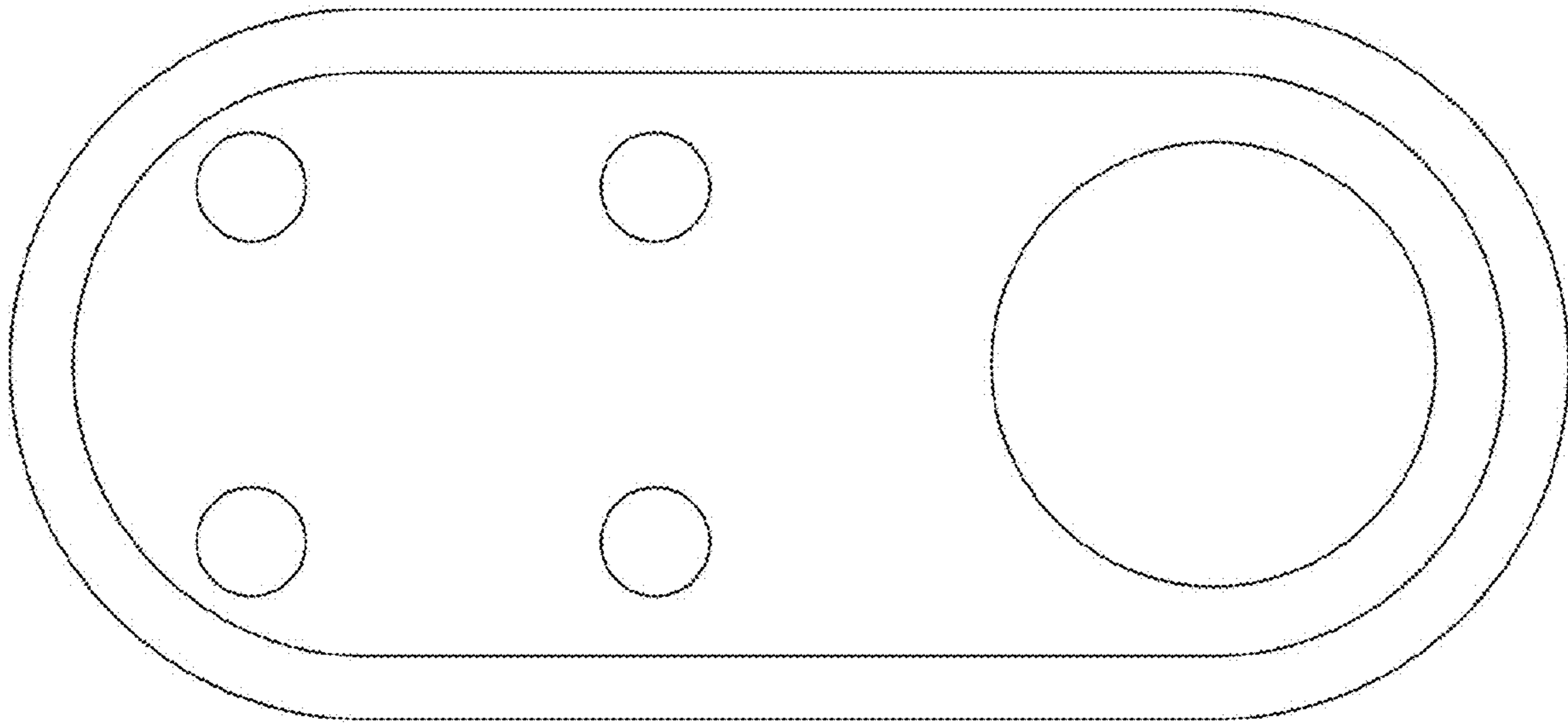


FIG. 16

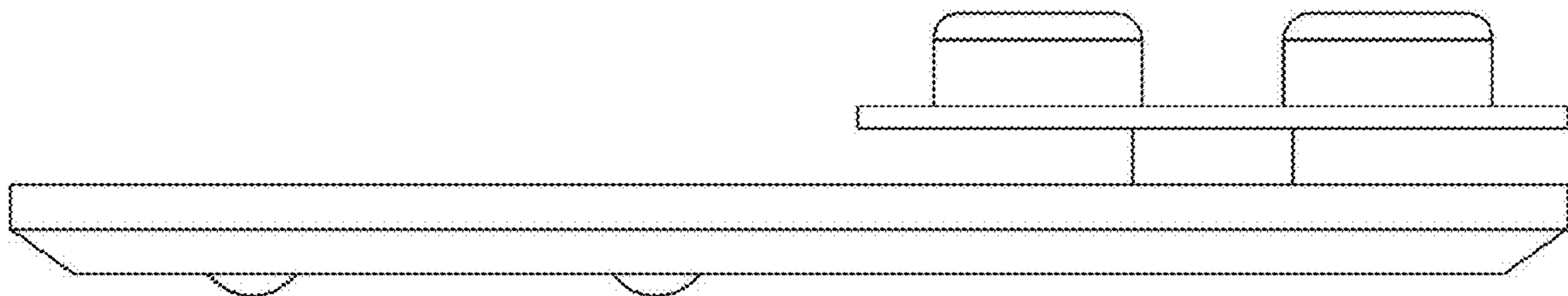


FIG. 17

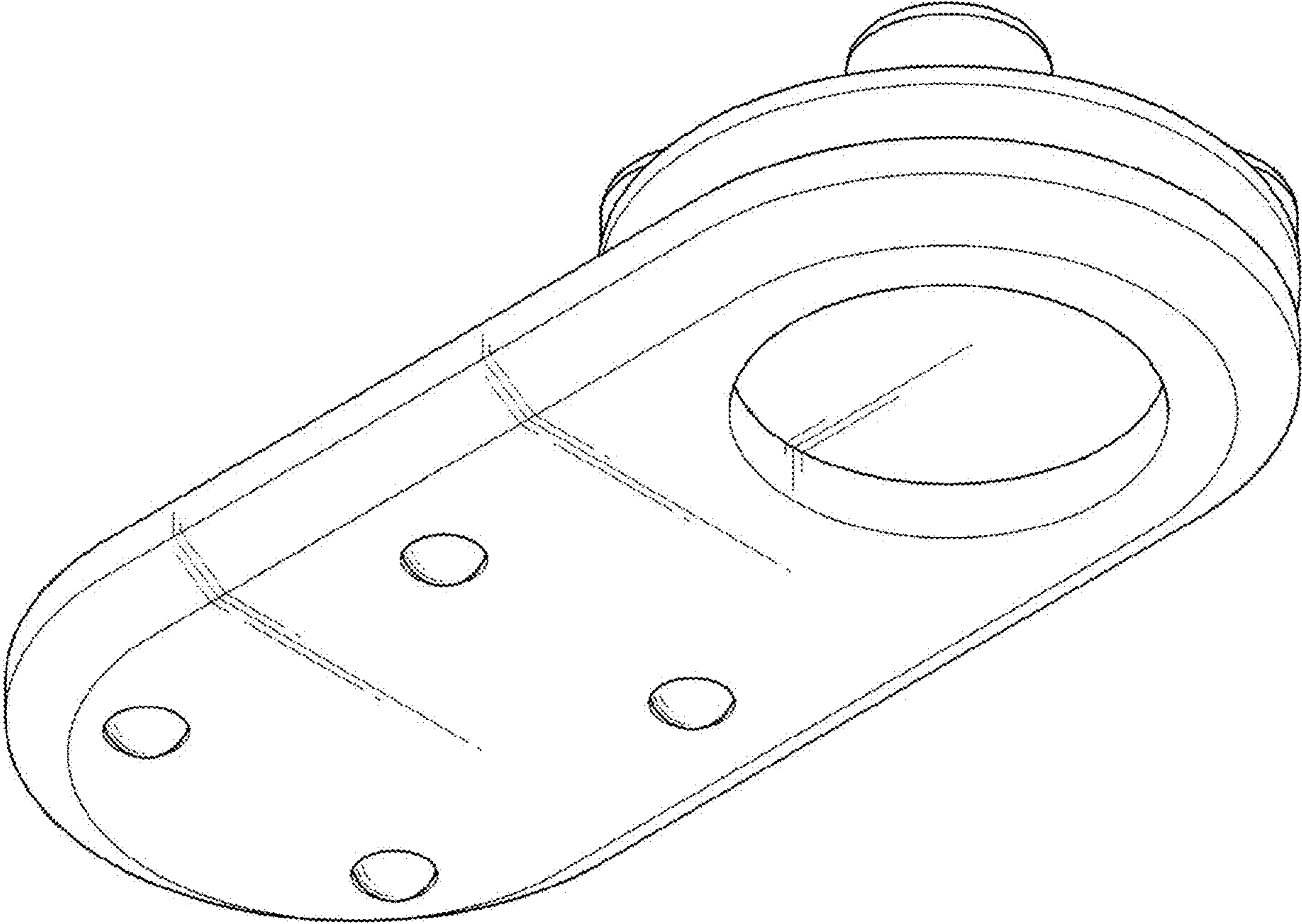


FIG. 18

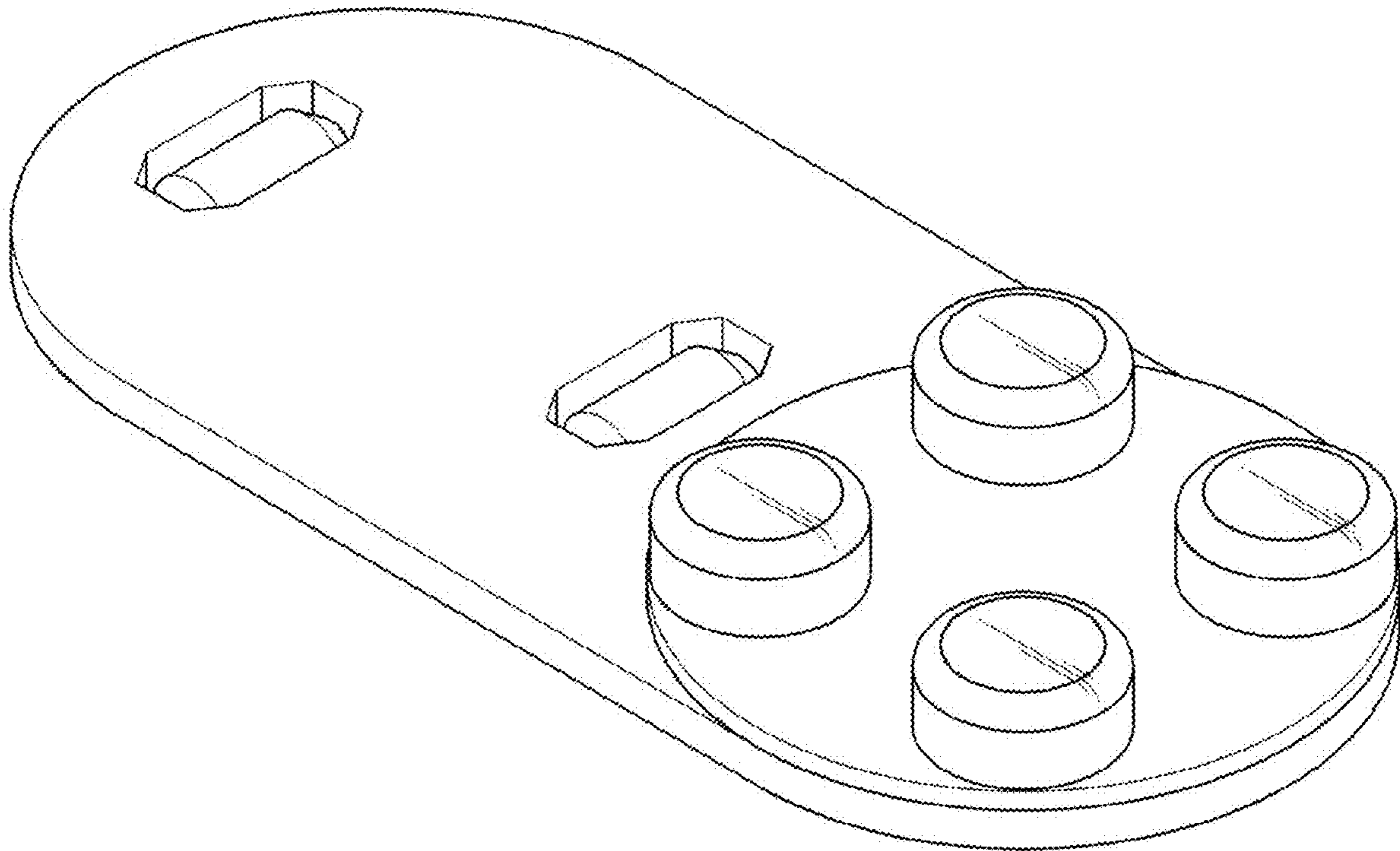


FIG. 19

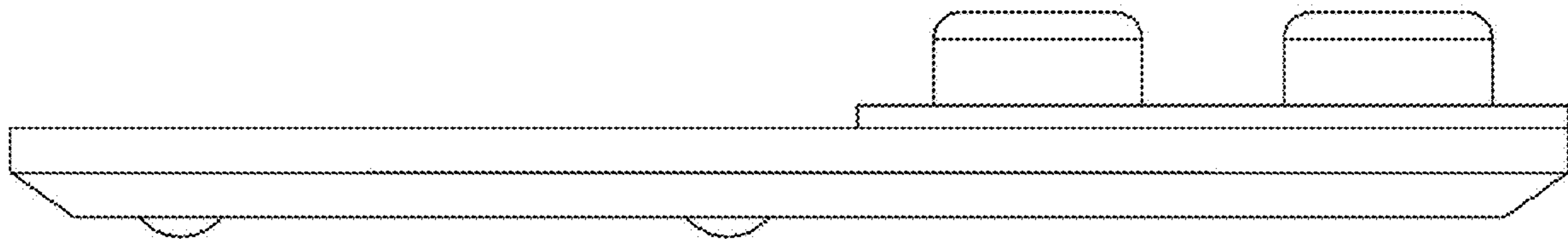


FIG. 20

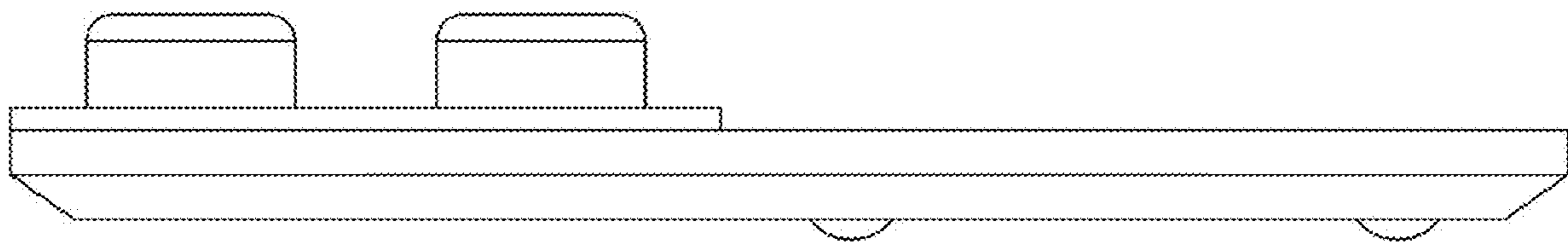


FIG. 21

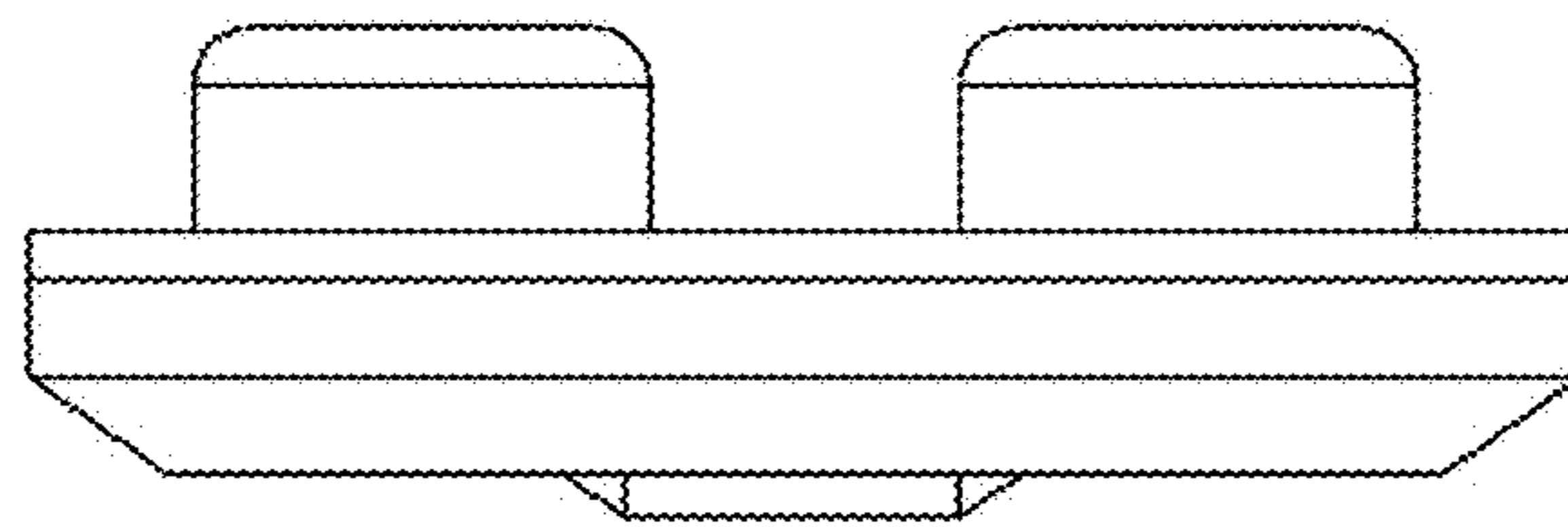


FIG. 22

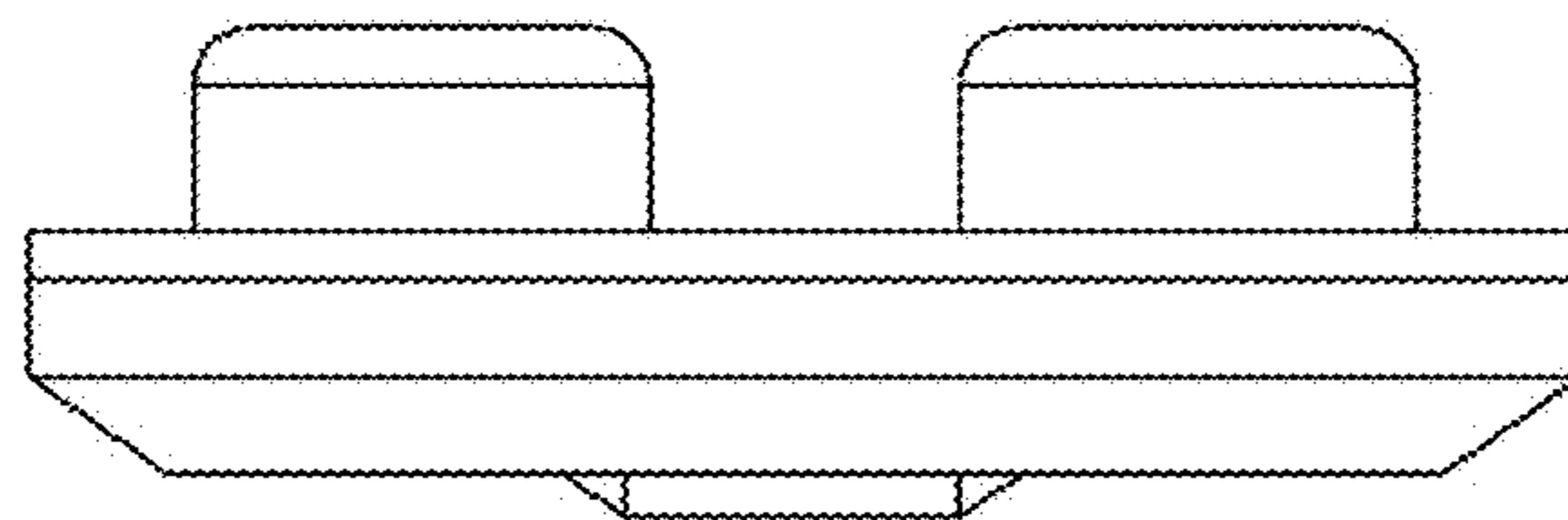


FIG. 23

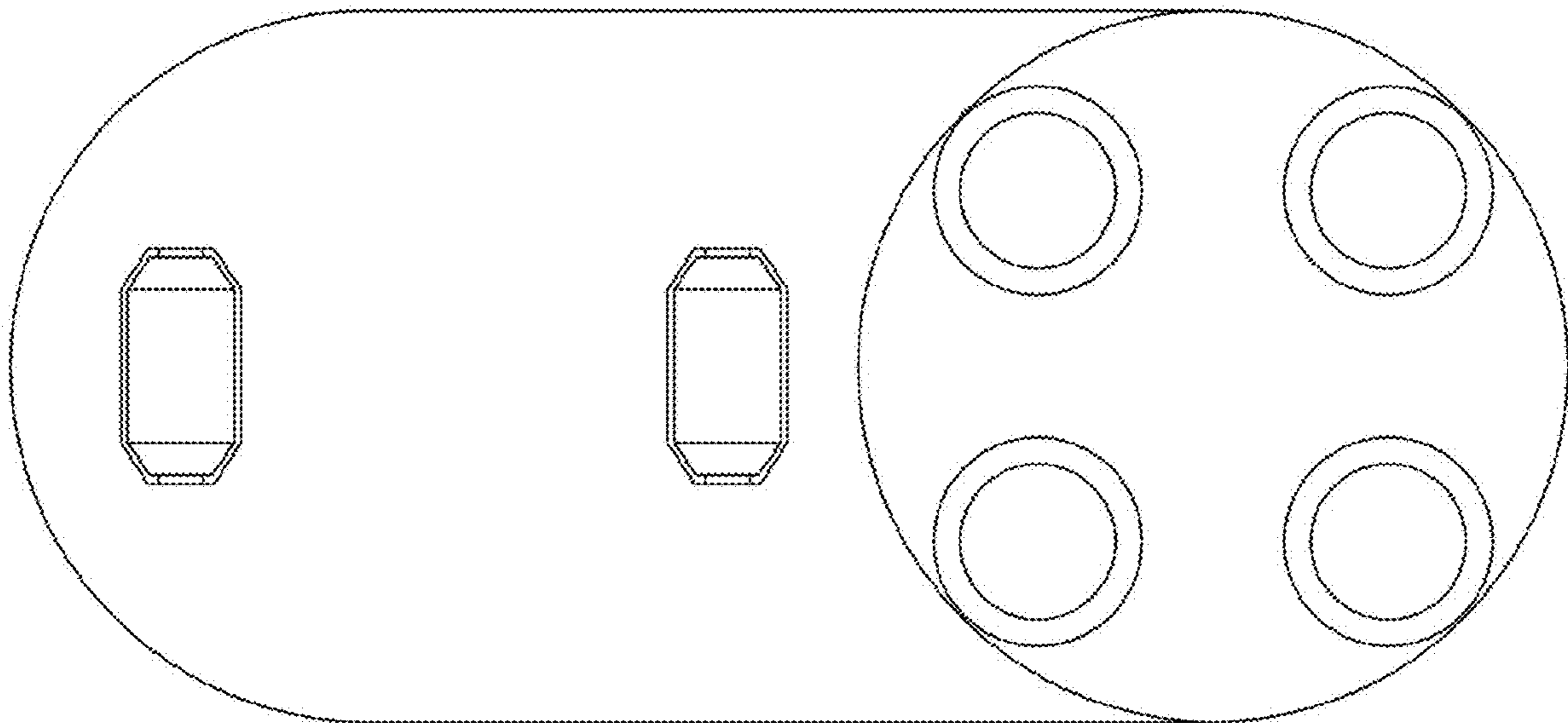


FIG. 24

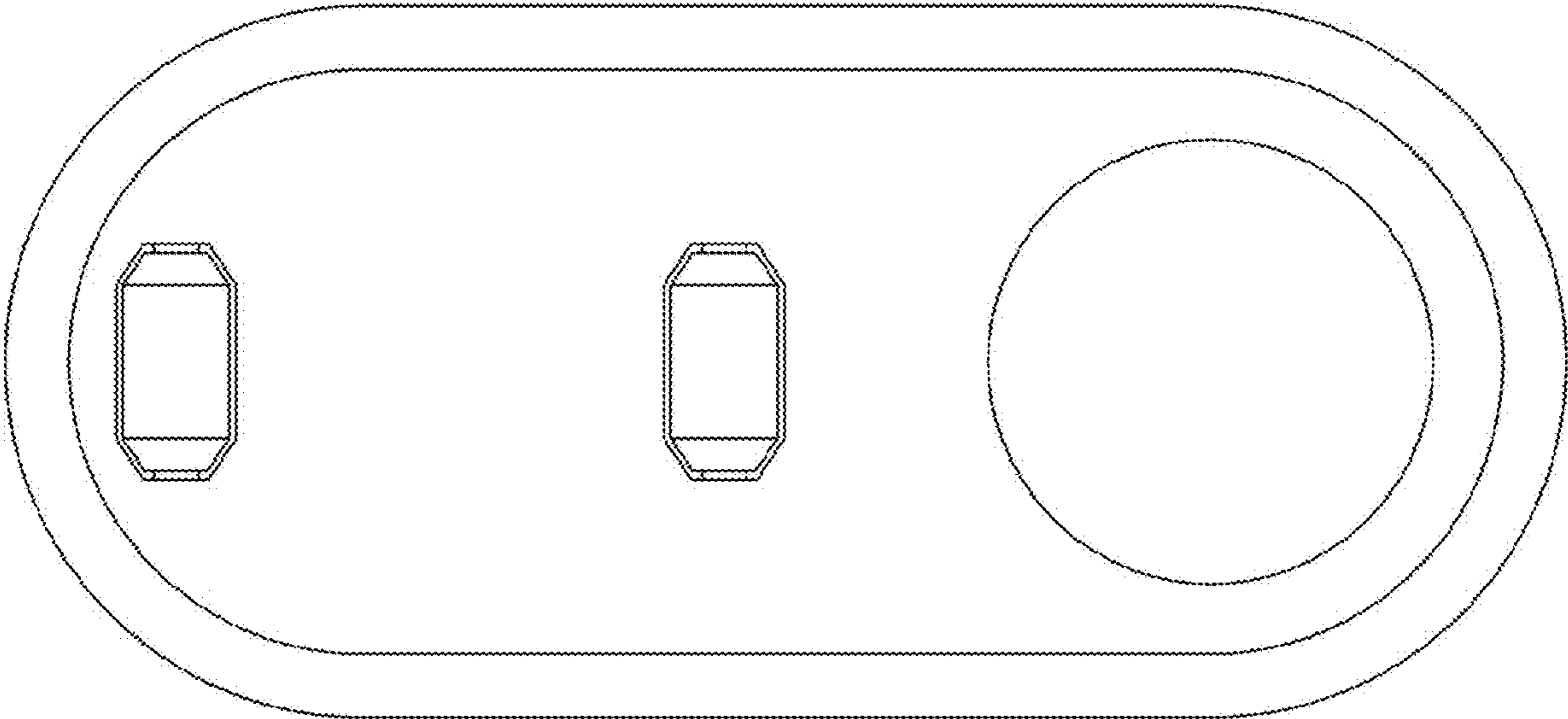


FIG. 25

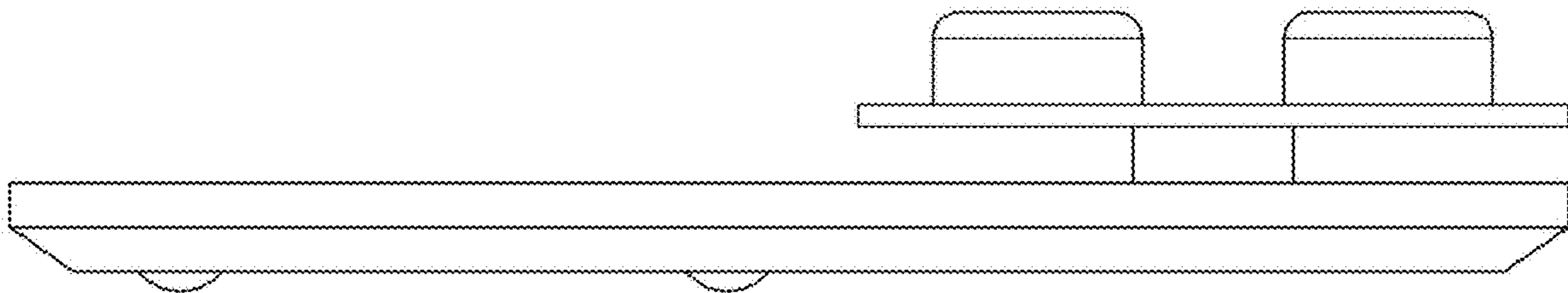


FIG. 26

