



US00D959566S

(12) **United States Design Patent** (10) **Patent No.:** **US D959,566 S**  
**Gil** (45) **Date of Patent:** **\*\* Aug. 2, 2022**

- (54) **BRICK FOR CONSTRUCTION TOYS**
- (71) Applicant: **Sangchul Gil**, Hanam-si (KR)
- (72) Inventor: **Sangchul Gil**, Hanam-si (KR)
- (\*\*) Term: **15 Years**
- (21) Appl. No.: **29/824,030**
- (22) Filed: **Jan. 21, 2022**

D857,112 S 8/2019 Cowie et al.  
 D858,651 S 9/2019 Barwald et al.  
 D868,897 S \* 12/2019 Schlangen ..... D21/302  
 (Continued)

*Primary Examiner* — Joseph Kukella  
 (74) *Attorney, Agent, or Firm* — Revolution IP, PLLC

(57) **CLAIM**

The ornamental design for a brick for construction toys, as shown and described.

**DESCRIPTION**

- Related U.S. Application Data**
- (62) Division of application No. 35/511,106, filed on Jul. 3, 2020 (U.S. filing date under 35 U.S.C. 384), and having an international filing date of Jul. 3, 2020.
  - (51) **LOC (13) Cl.** ..... **21-01**
  - (52) **U.S. Cl.**  
USPC ..... **D21/488**
  - (58) **Field of Classification Search**  
USPC ..... D21/483–505; D25/113–118  
CPC .... A63H 33/04; A63H 33/044; A63H 33/046;  
A63H 33/048; A63H 33/062; A63H  
33/067; A63H 33/08; A63H 33/10; A63H  
33/101; A63H 33/103; A63H 33/105;  
A63H 33/106–108  
See application file for complete search history.

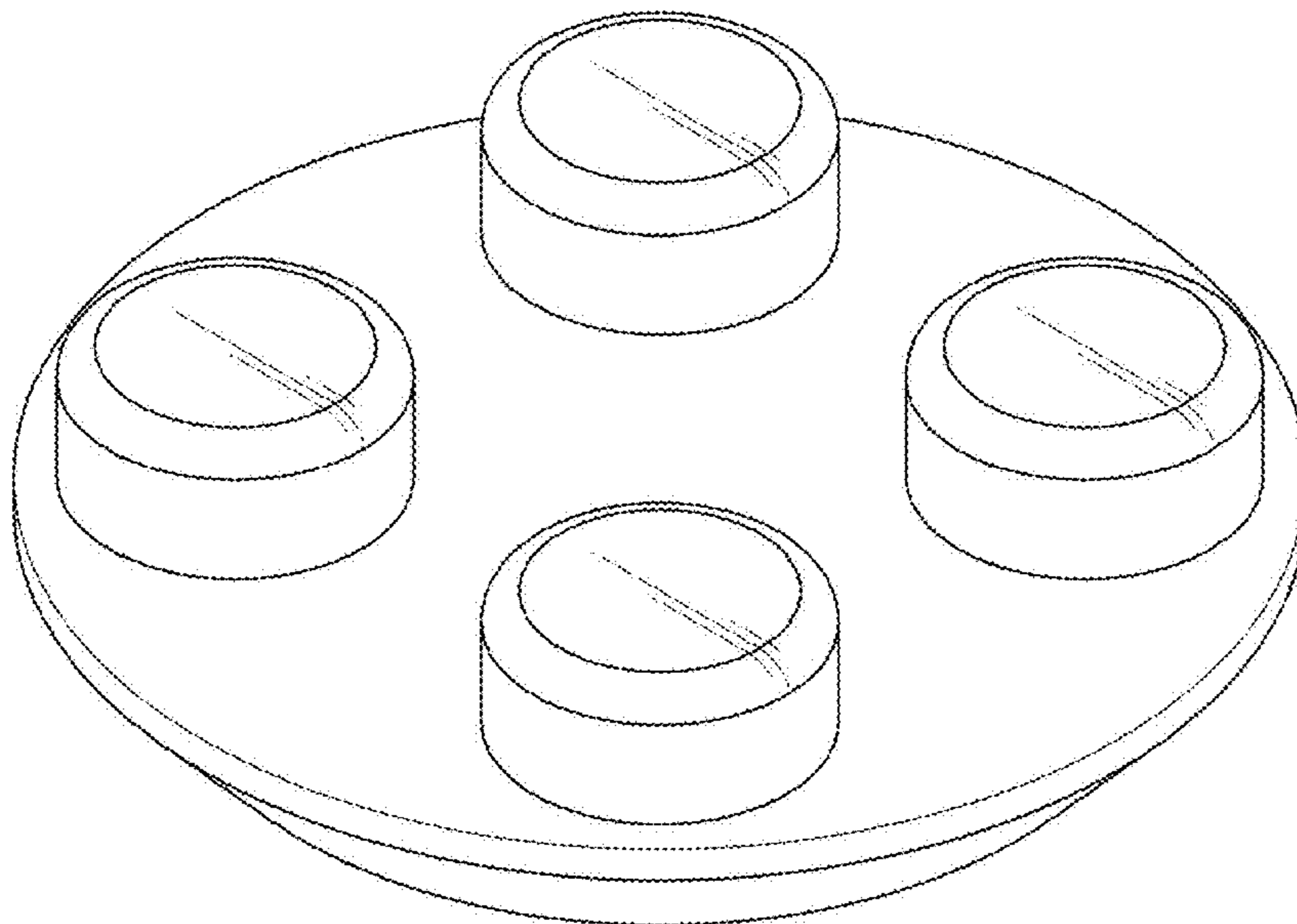
FIG. 1 is a top perspective view of a first embodiment of a brick for construction toys showing the claimed design; FIG. 2 is a front view thereof; FIG. 3 is a rear view thereof; FIG. 4 is a left side view thereof; FIG. 5 is a right side view thereof; FIG. 6 is a top view thereof; FIG. 7 is a bottom view thereof; FIG. 8 is a top perspective view of a second embodiment of a brick for construction toys showing the claimed design; FIG. 9 is a front view thereof; FIG. 10 is a rear view thereof; FIG. 11 is a left side view thereof; FIG. 12 is a right side view thereof; FIG. 13 is a top view thereof; FIG. 14 is a bottom view thereof; FIG. 15 is a bottom perspective view thereof; FIG. 16 is a top perspective view of a third embodiment of a brick for construction toys showing the claimed design; FIG. 17 is a front view thereof; FIG. 18 is a rear view thereof; FIG. 19 is a left side view thereof; FIG. 20 is a right side view thereof; FIG. 21 is a top view thereof; FIG. 22 is a bottom view thereof; and, FIG. 23 is a bottom perspective view thereof.

(56) **References Cited**

**U.S. PATENT DOCUMENTS**

- D689,558 S \* 9/2013 Jensen ..... D21/487
- D689,955 S \* 9/2013 Jensen ..... D21/488
- D707,756 S \* 6/2014 Jensen ..... D21/488
- D757,862 S \* 5/2016 Ryaa ..... D21/497
- D762,267 S 7/2016 Glasband et al.
- D777,264 S 1/2017 Marcil et al.
- D818,056 S 5/2018 Lo
- D830,474 S 10/2018 Holman
- D832,934 S 11/2018 Kogure
- D849,853 S 5/2019 Chen et al.

**1 Claim, 23 Drawing Sheets**



(56)

**References Cited**

U.S. PATENT DOCUMENTS

D869,567 S \* 12/2019 Holman ..... D21/492  
D890,858 S 7/2020 Grove  
D891,531 S 7/2020 Zhang et al.  
10,786,748 B2 \* 9/2020 Deng ..... A63H 33/08  
D903,782 S 12/2020 Semling  
D903,783 S 12/2020 Semling  
D907,521 S 1/2021 Beaver  
11,247,141 B2 \* 2/2022 Tusacciu ..... A63H 33/046  
D944,898 S \* 3/2022 Davies ..... D21/491  
11,273,386 B2 \* 3/2022 Deng ..... A63H 33/08

\* cited by examiner

FIG. 1

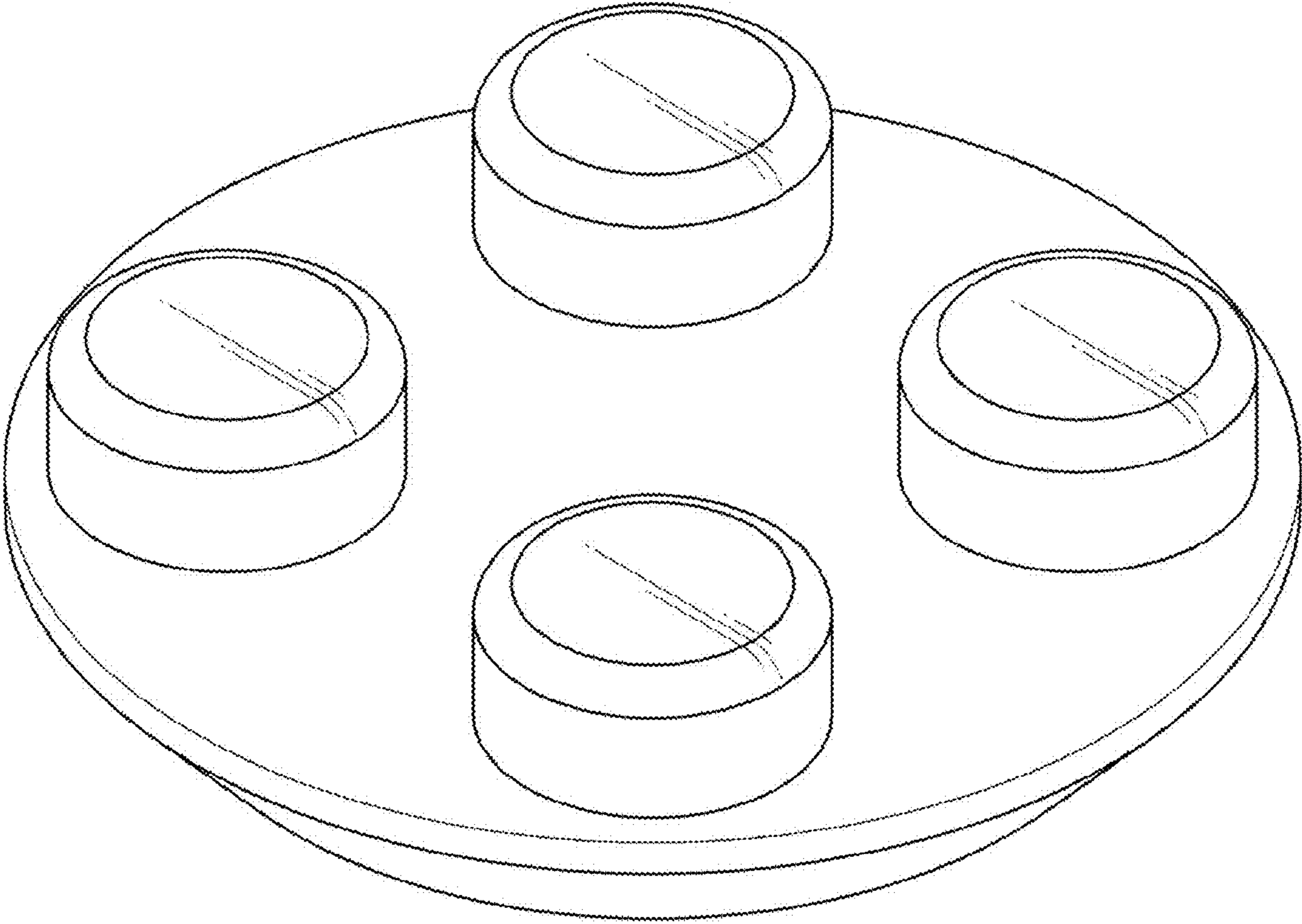


FIG. 2

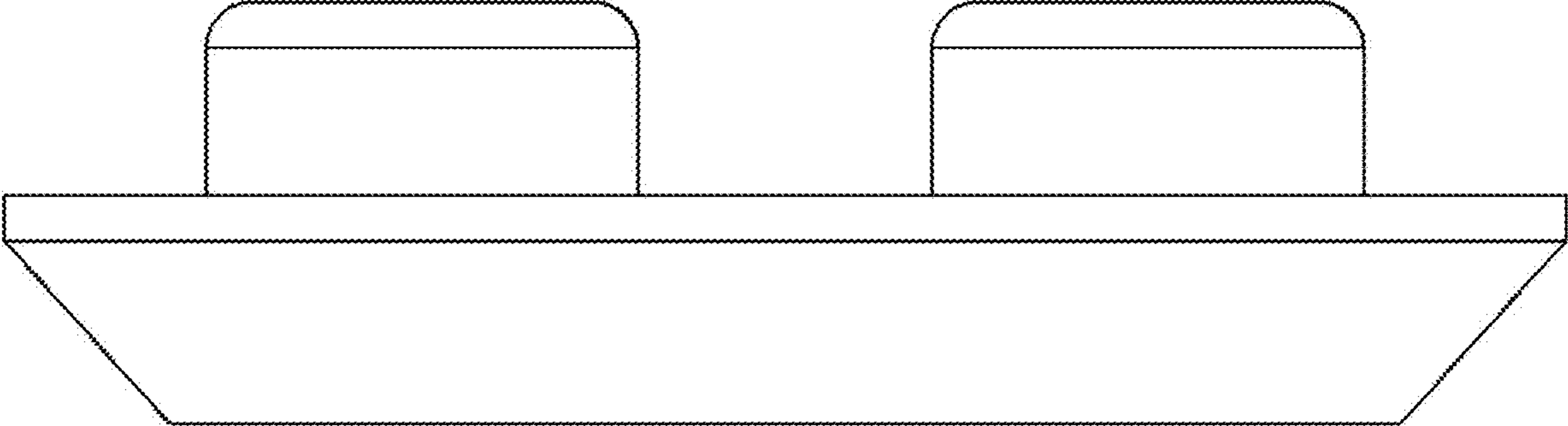


FIG. 3

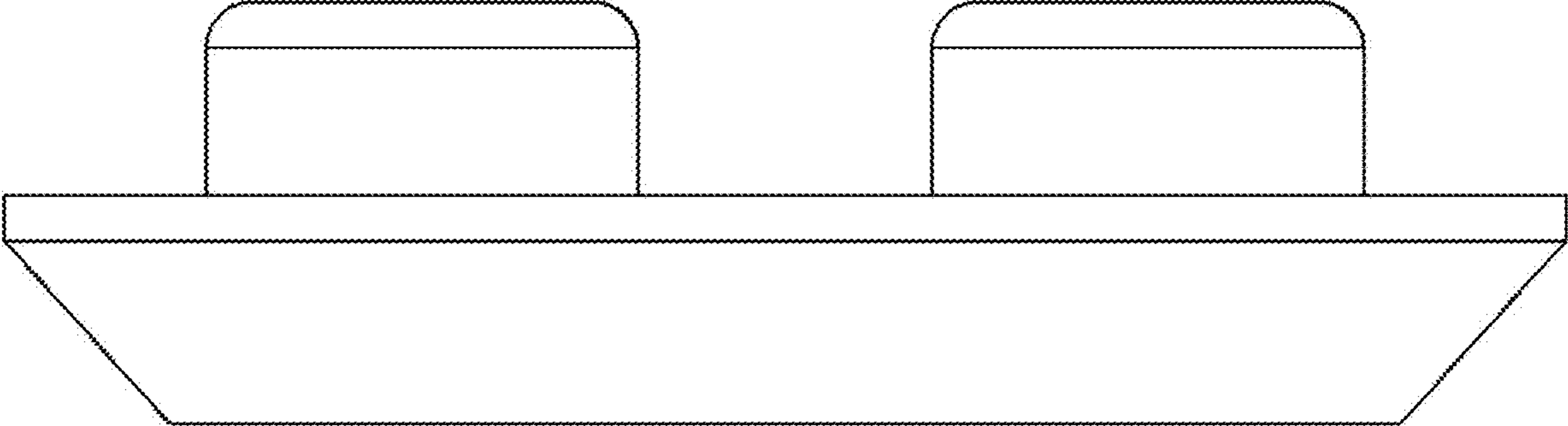


FIG. 4

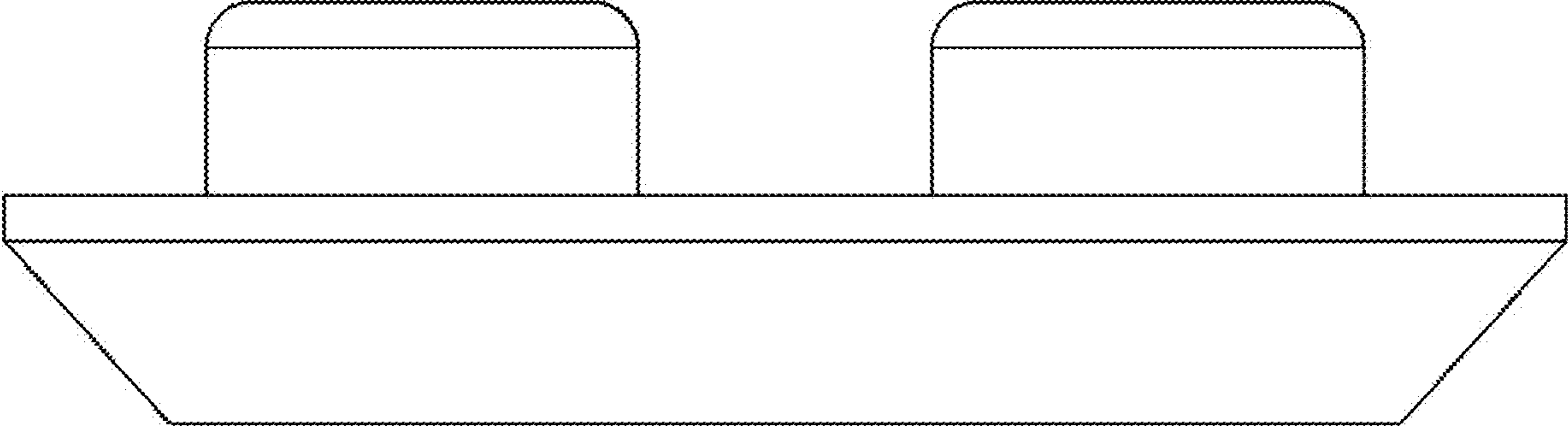


FIG. 5

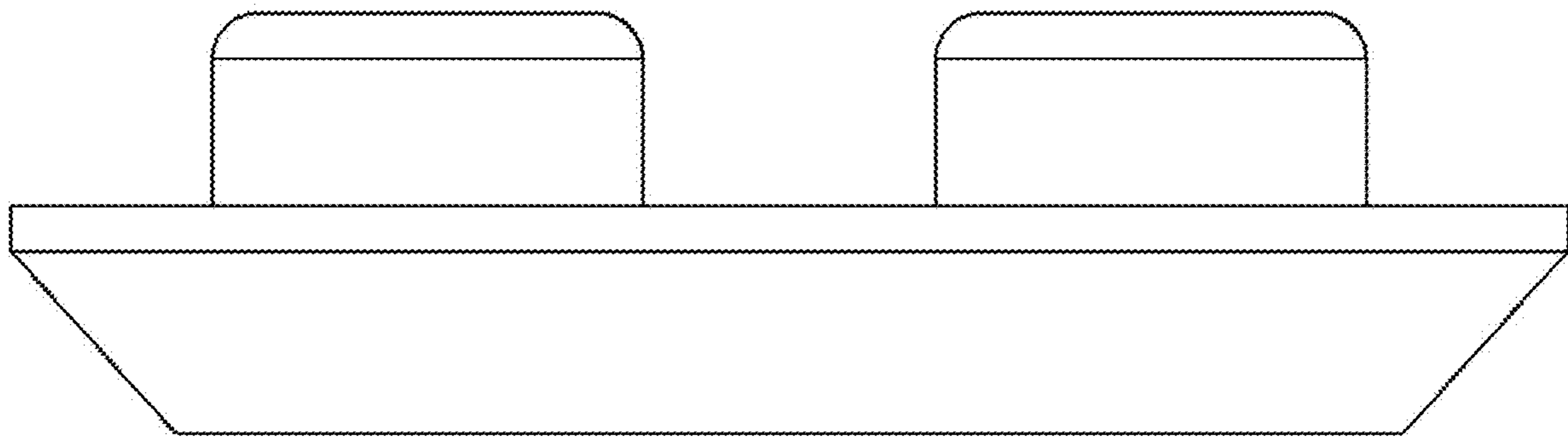


FIG. 6

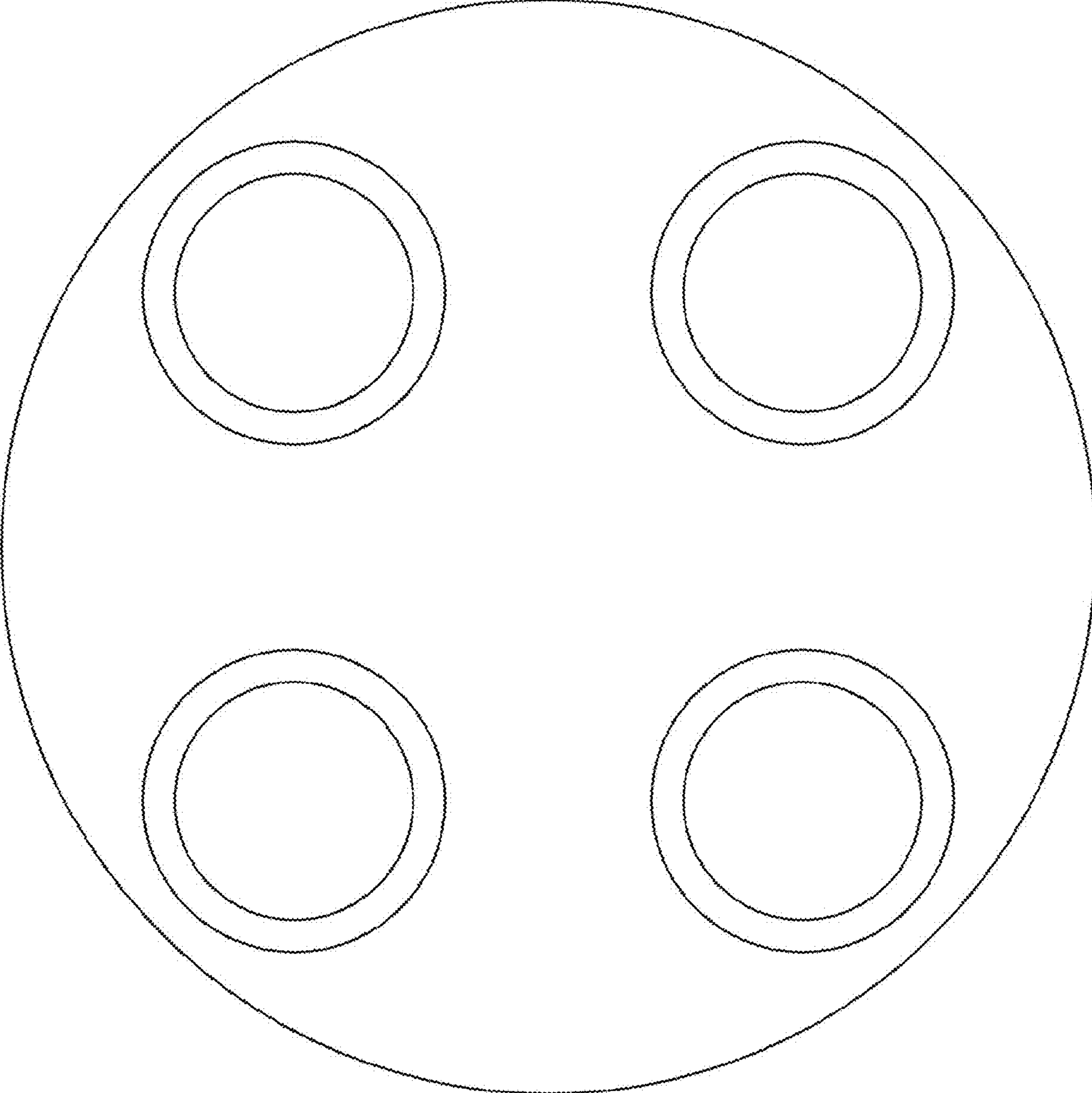




FIG. 7

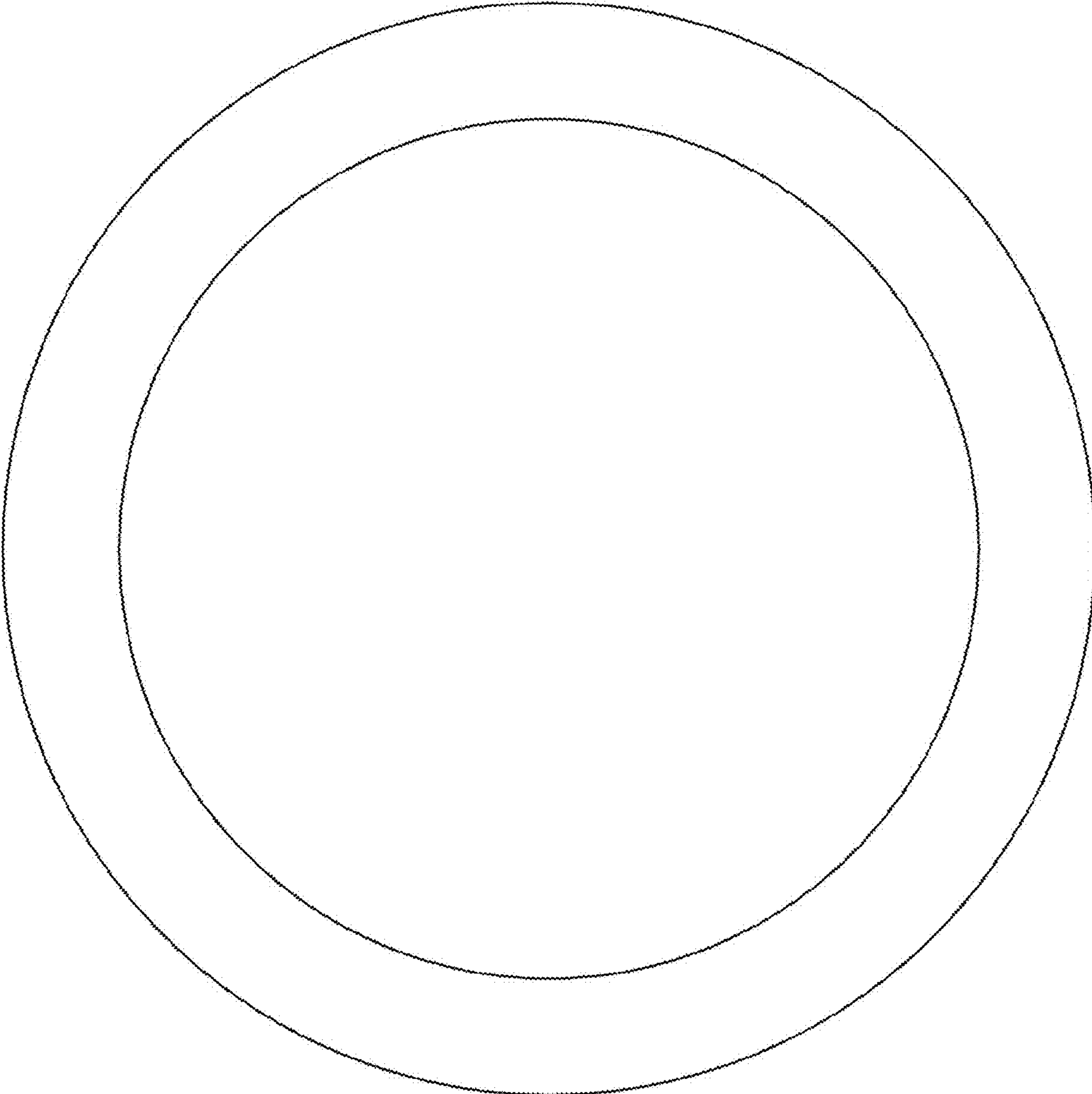


FIG. 8

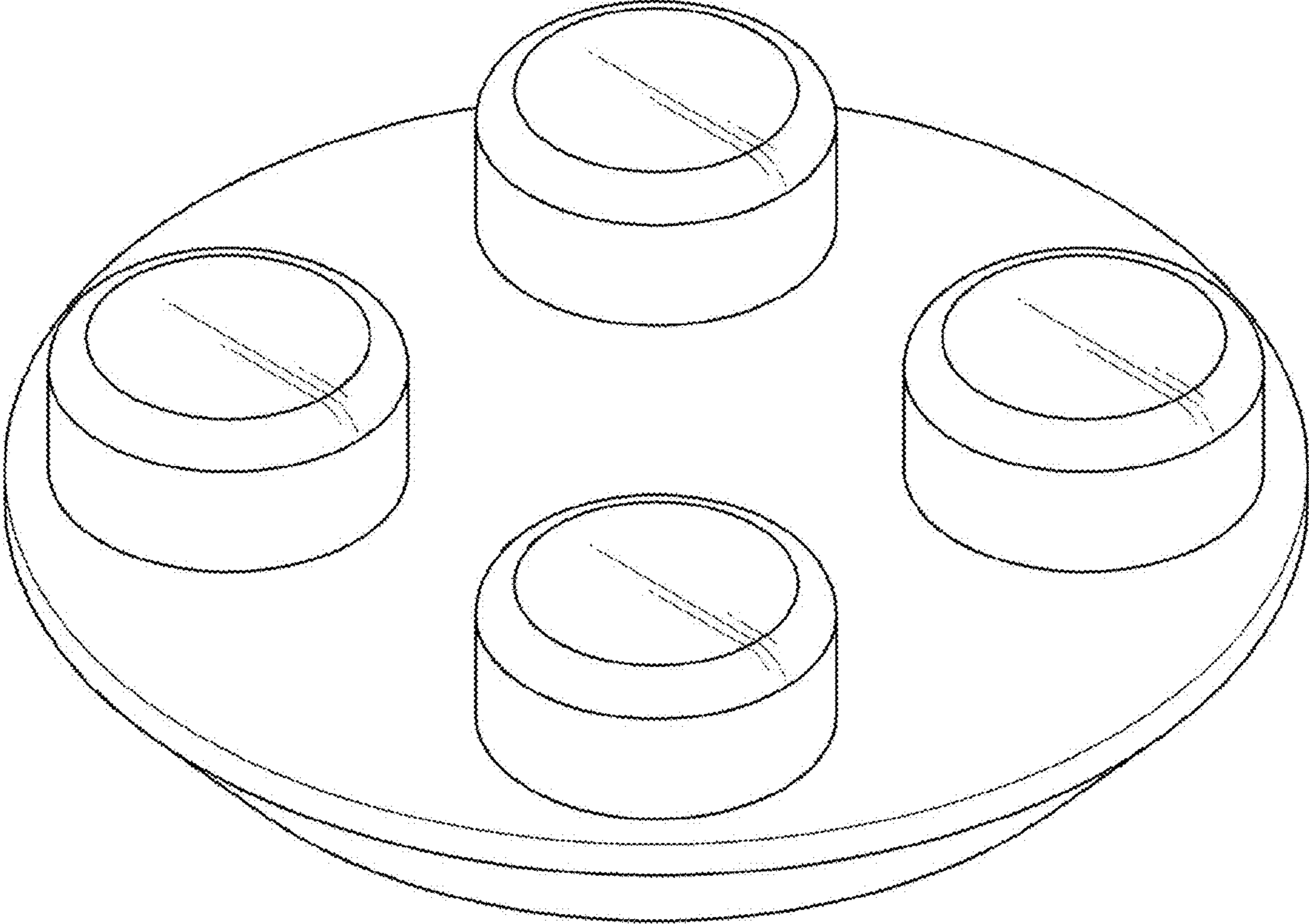


FIG. 9

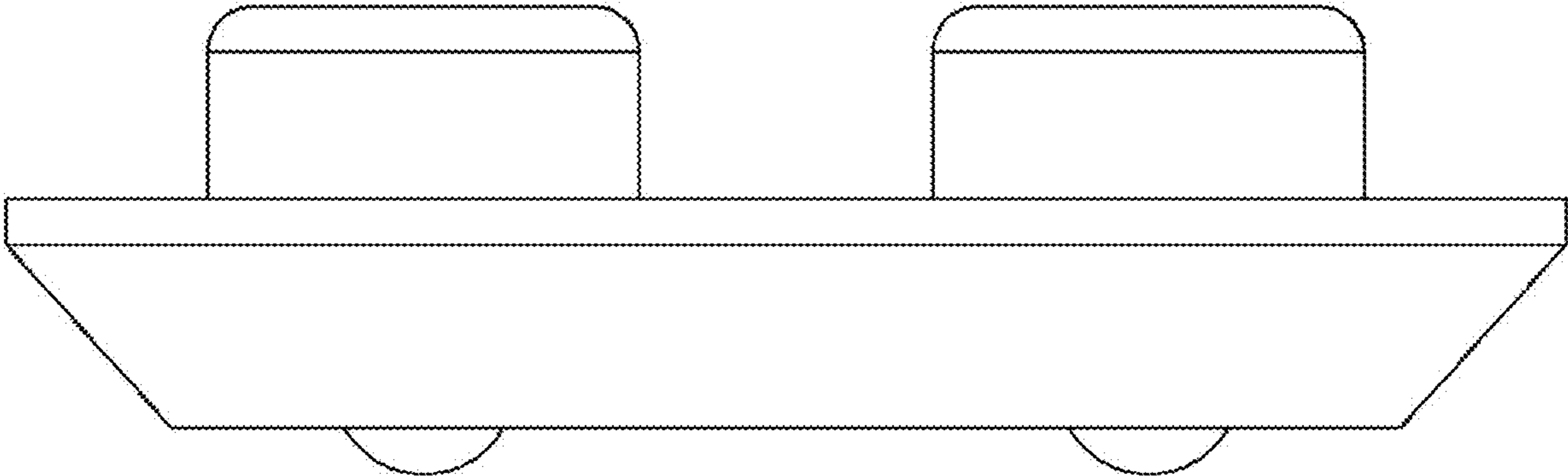


FIG. 10

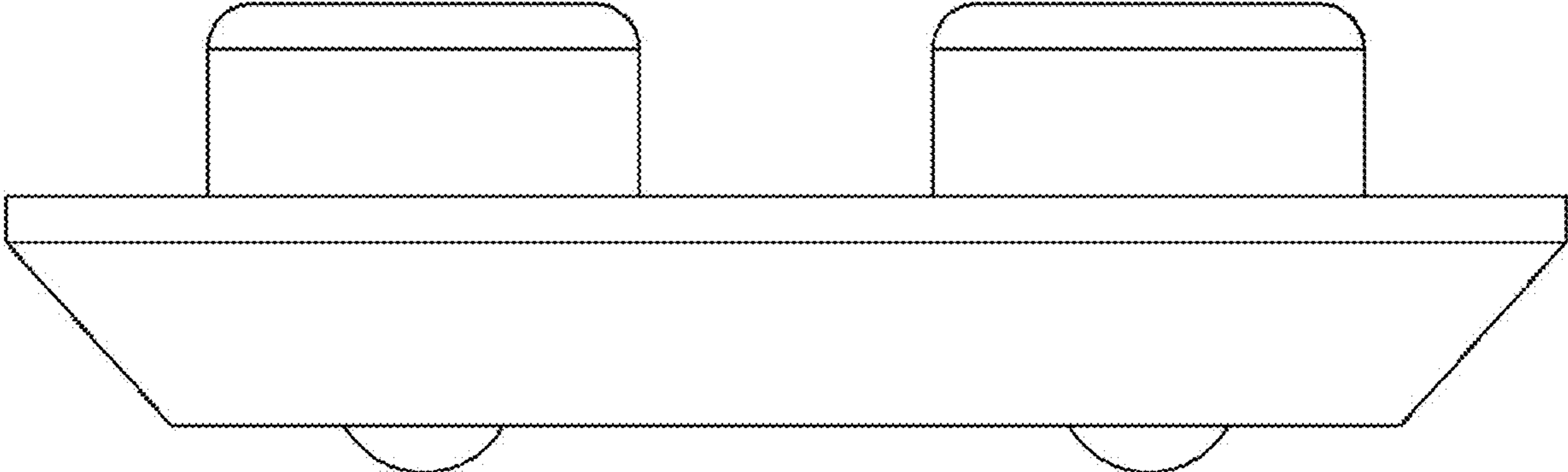


FIG. 11

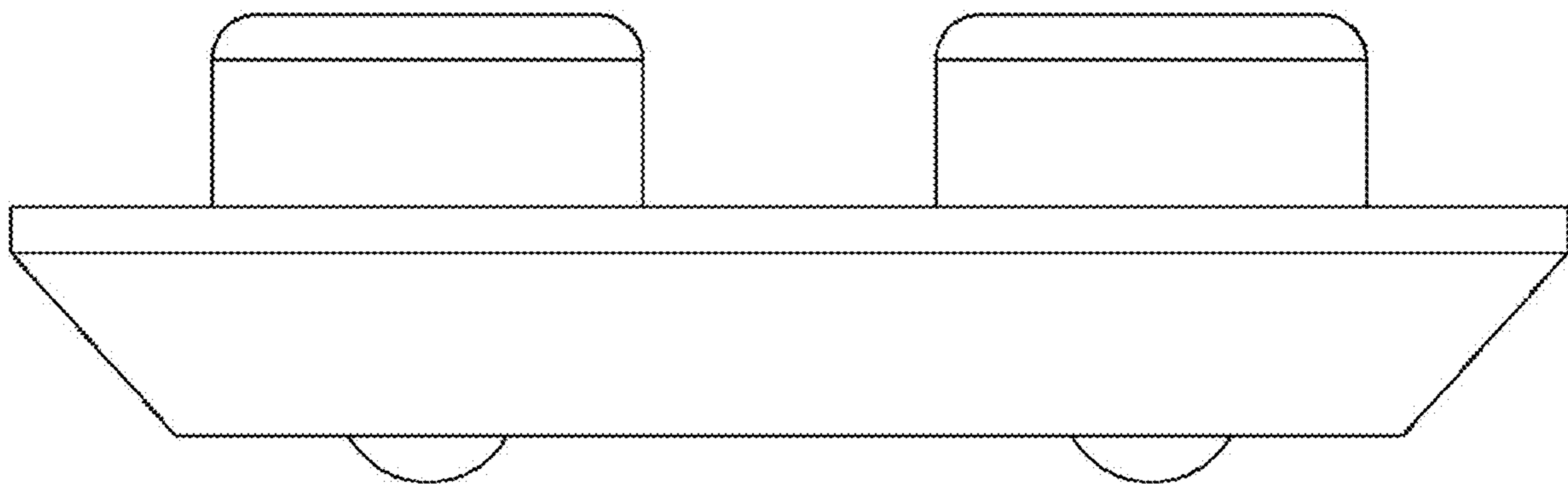


FIG. 12

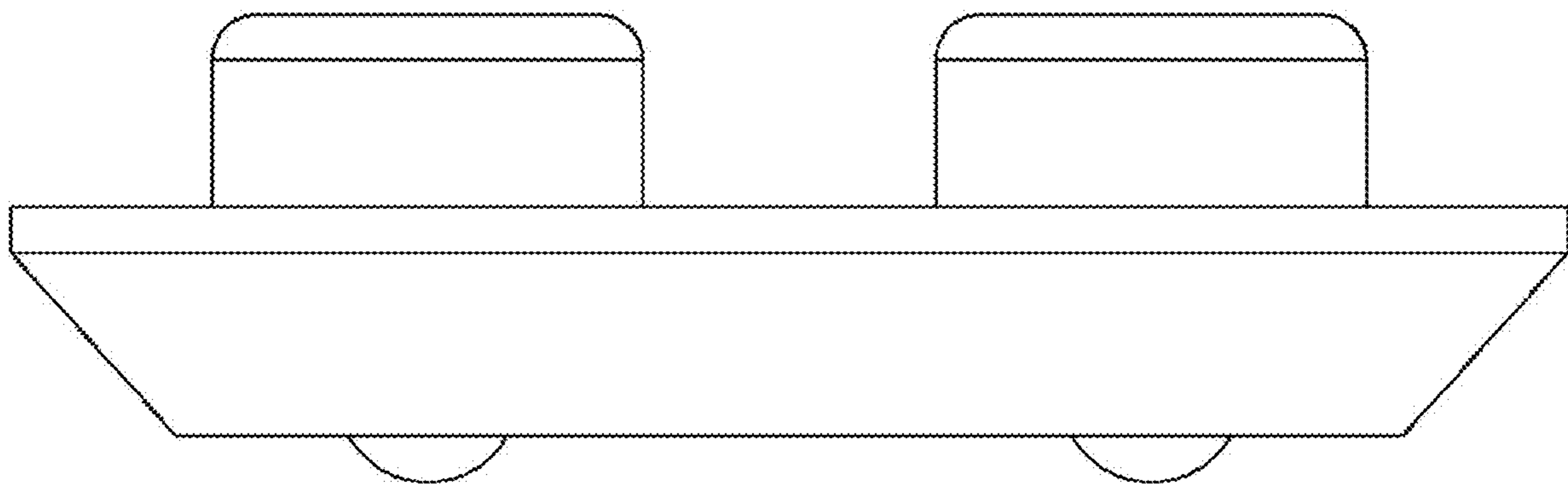


FIG. 13

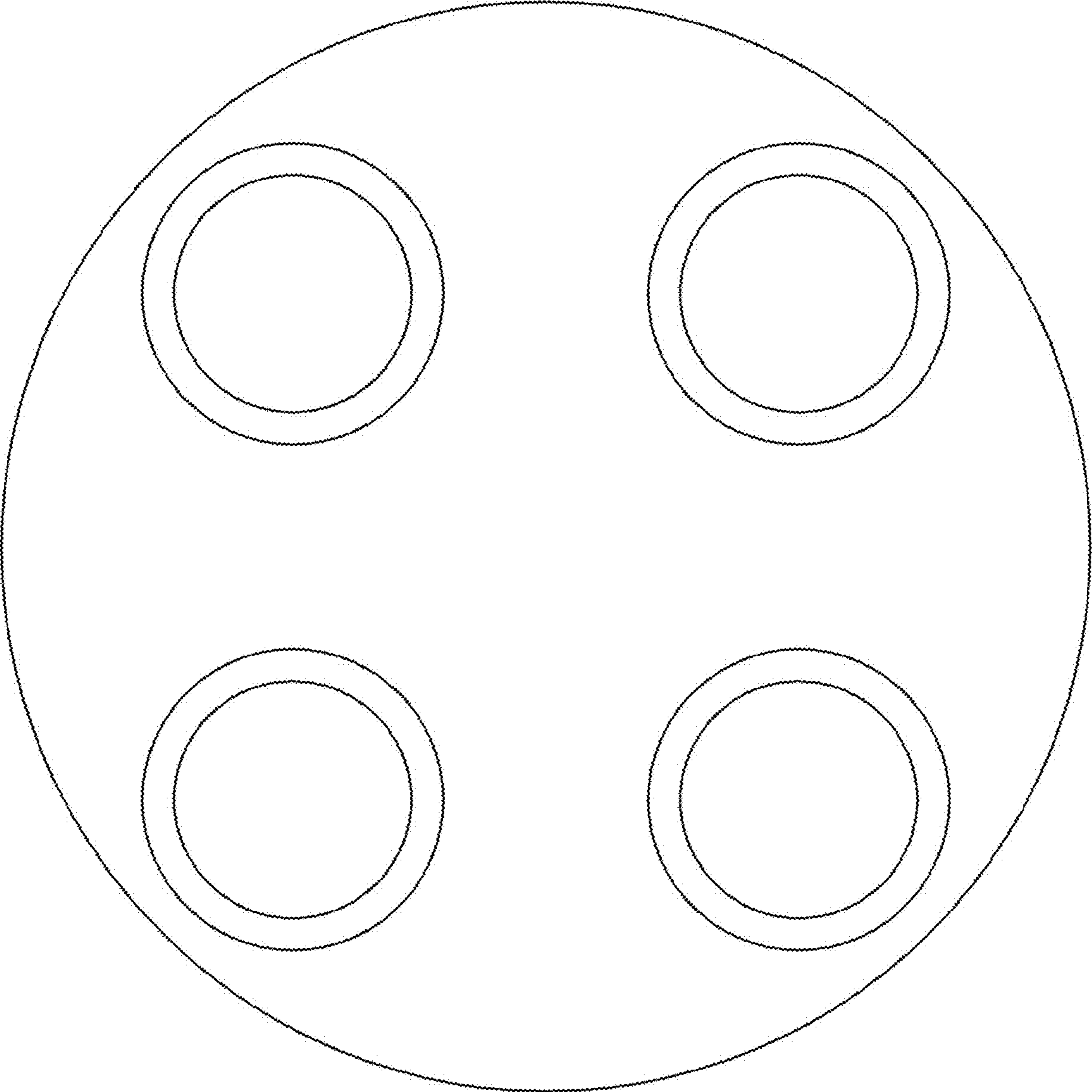


FIG. 14

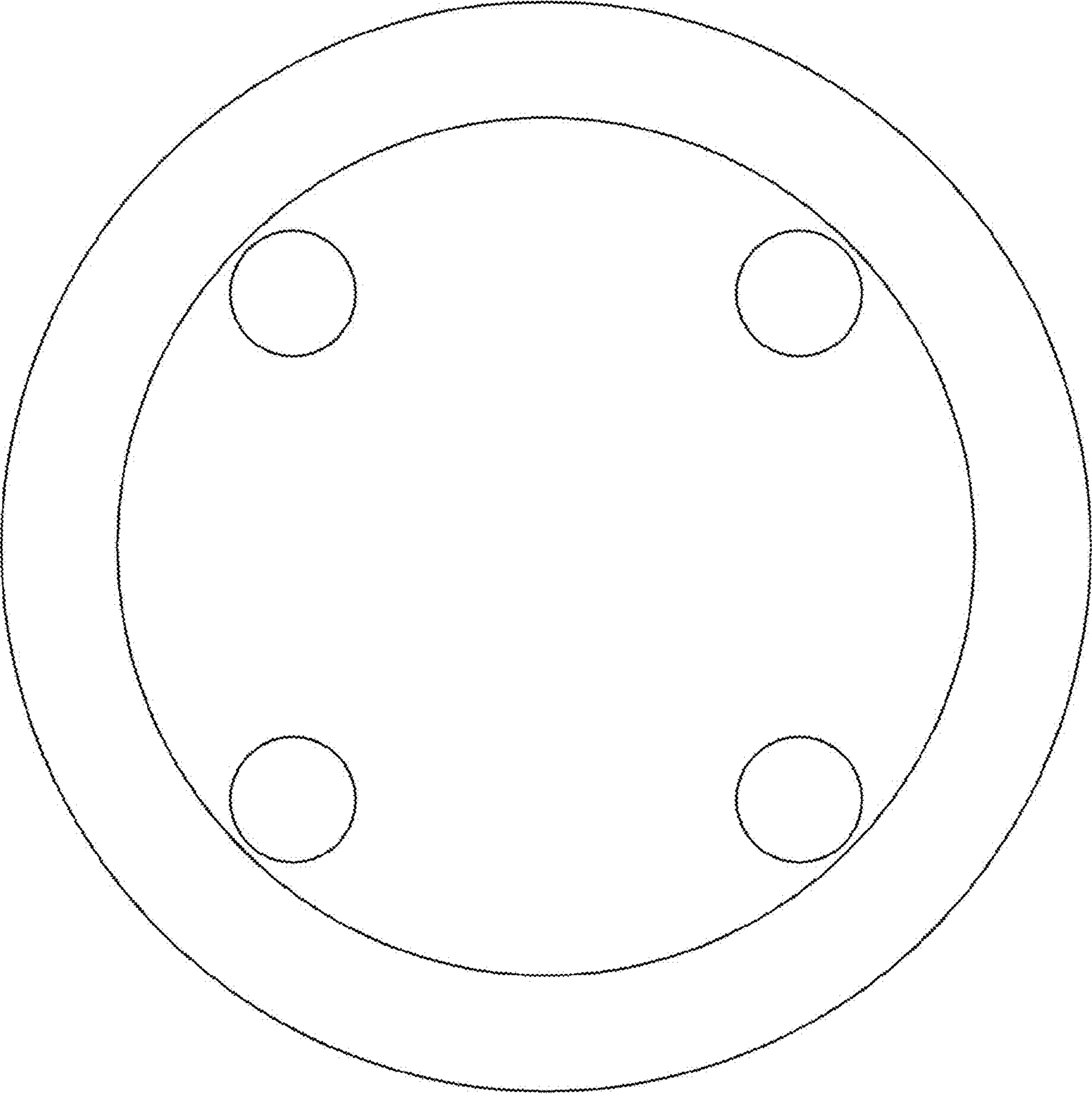




FIG. 15

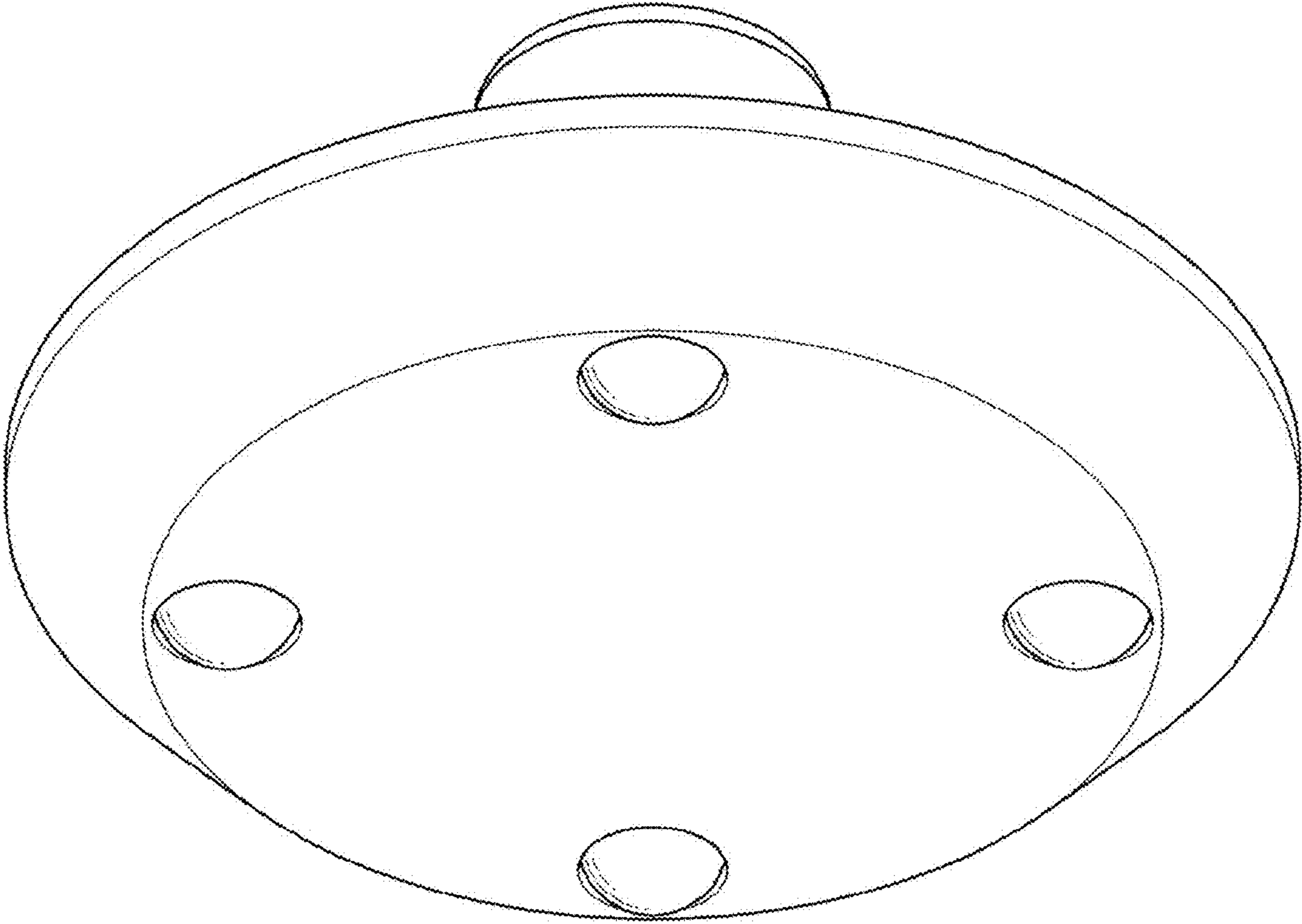


FIG. 16

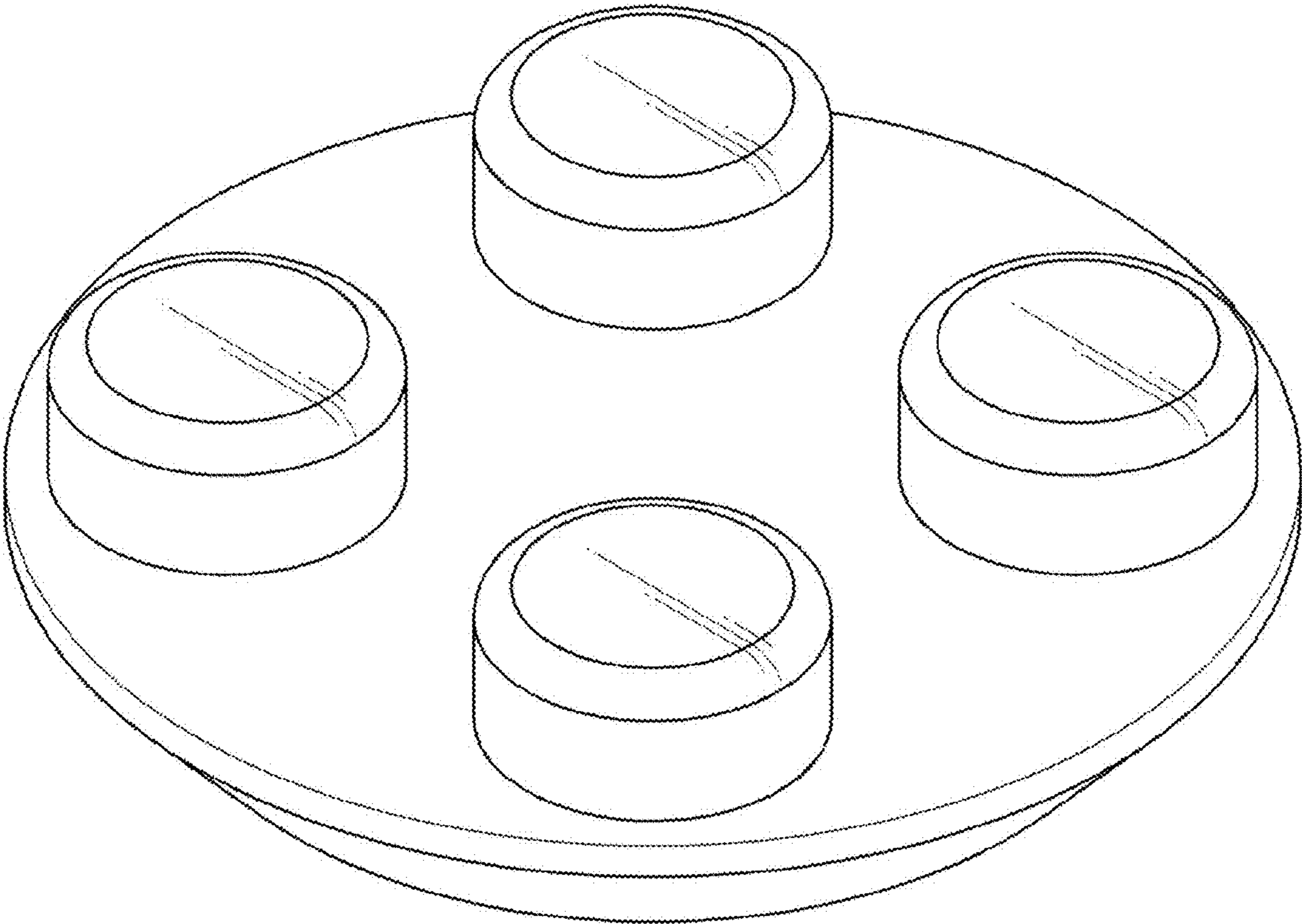


FIG. 17

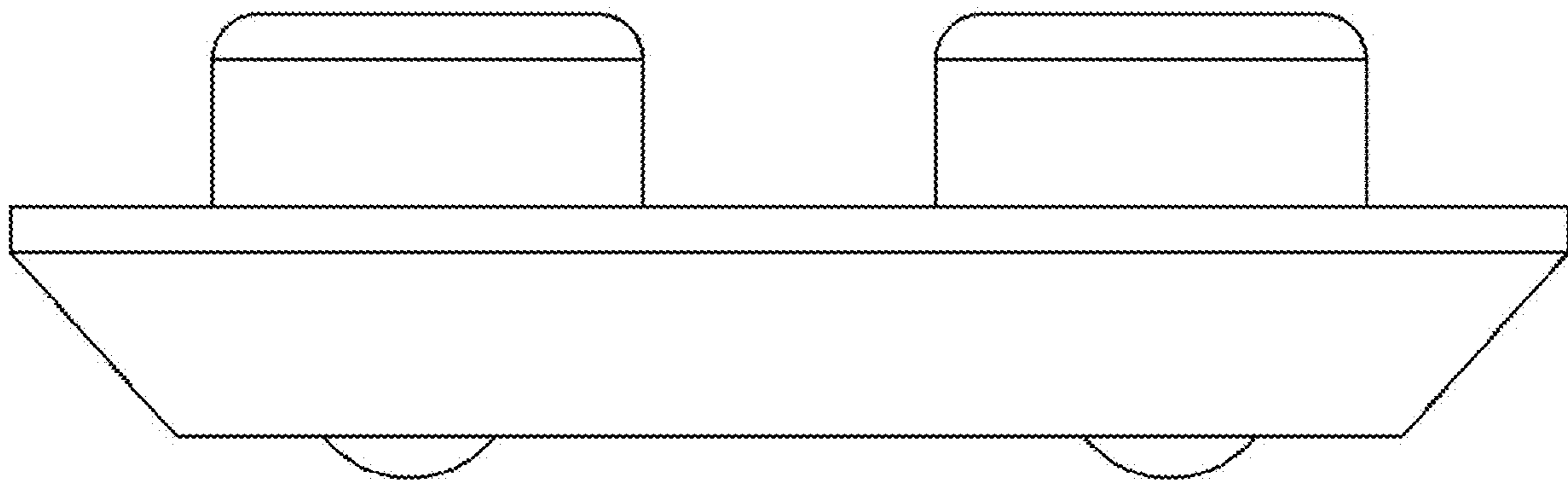


FIG. 18

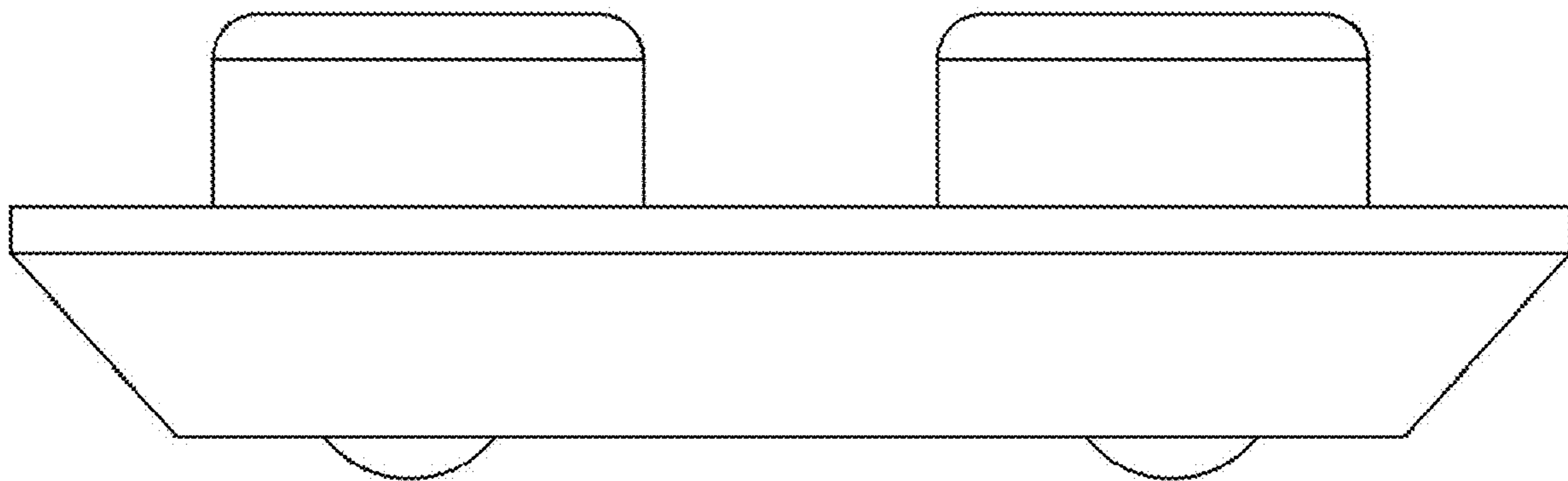


FIG. 19

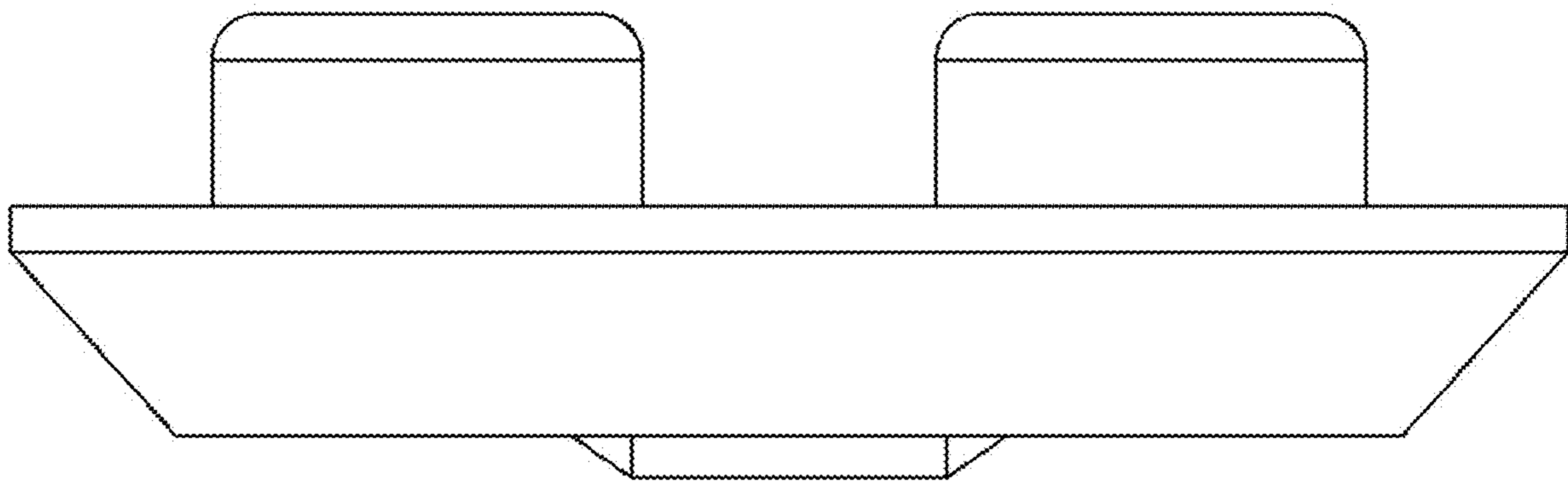


FIG. 20

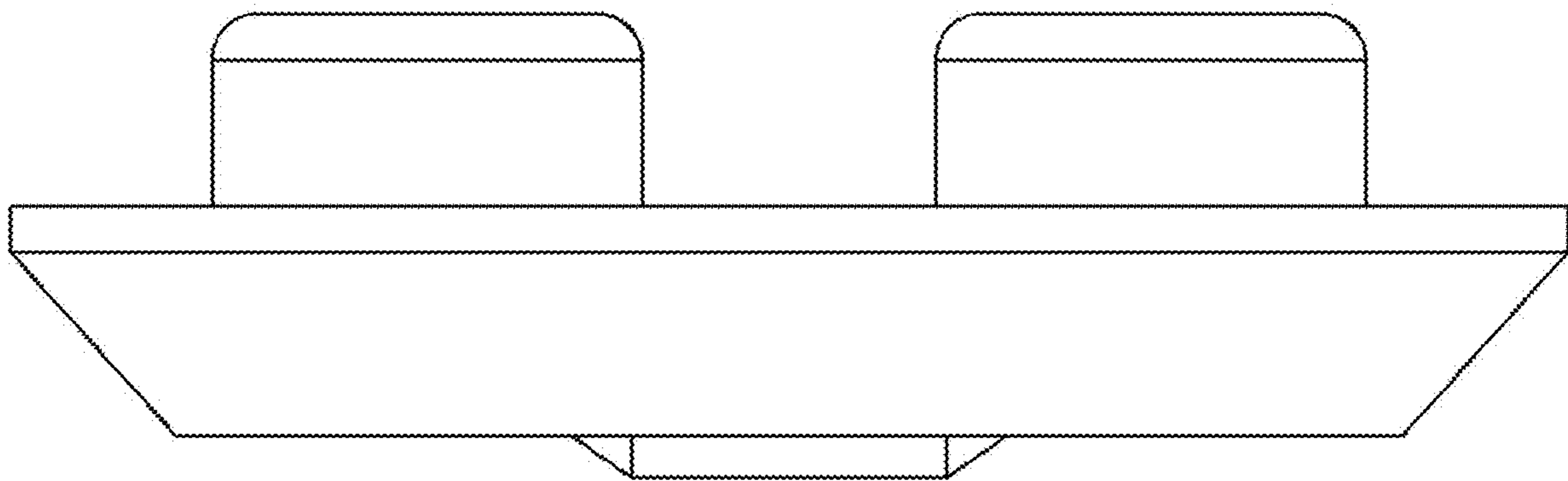


FIG. 21

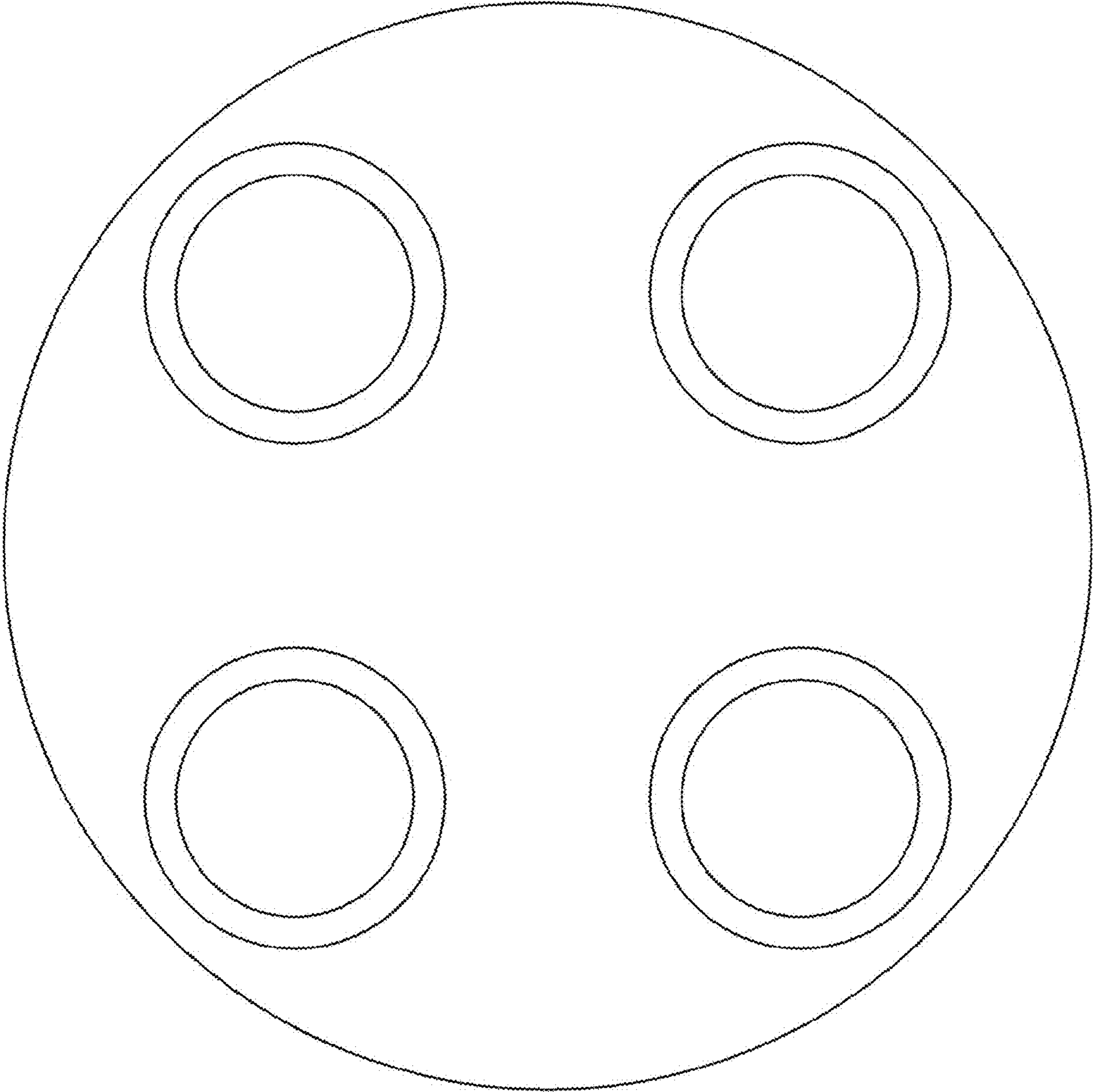


FIG. 22

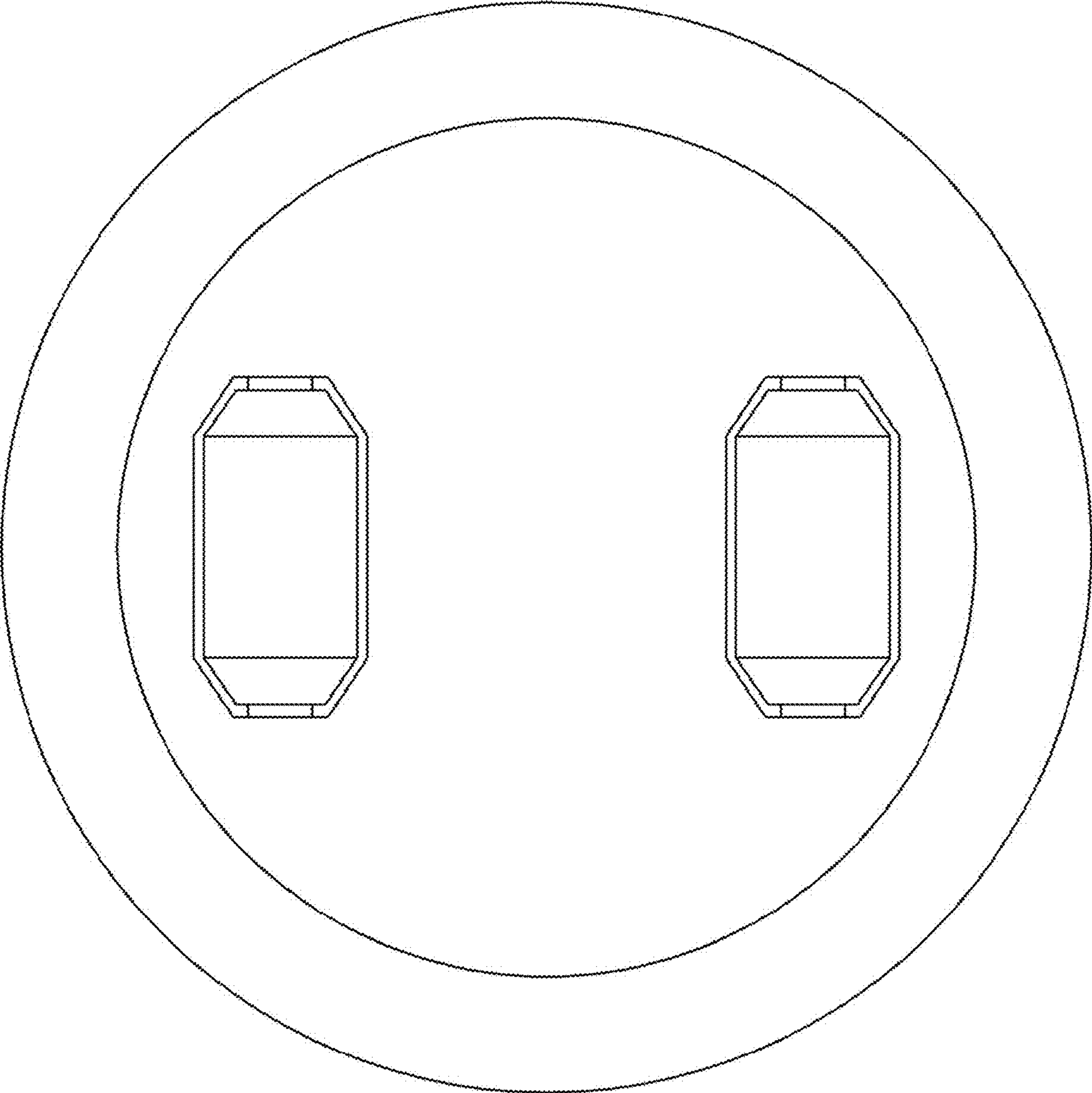




FIG. 23

