



US00D959564S

(12) **United States Design Patent** (10) **Patent No.:** **US D959,564 S**  
**Gil** (45) **Date of Patent:** **\*\* Aug. 2, 2022**

- (54) **BRICK FOR CONSTRUCTION TOYS**
- (71) Applicant: **Sangchul Gil**, Hanam-si (KR)
- (72) Inventor: **Sangchul Gil**, Hanam-si (KR)
- (\*\*) Term: **15 Years**
- (21) Appl. No.: **29/824,032**
- (22) Filed: **Jan. 21, 2022**

**Related U.S. Application Data**

- (62) Division of application No. 35/511,106, filed on Jul. 3, 2020 (U.S. filing date under 35 U.S.C. 384), and having an international filing date of Jul. 3, 2020.

- (51) **LOC (13) Cl.** ..... **21-01**
- (52) **U.S. Cl.**  
USPC ..... **D21/486**
- (58) **Field of Classification Search**  
USPC ..... D21/483–505; D25/113–118  
CPC .... A63H 33/04; A63H 33/044; A63H 33/046;  
A63H 33/048; A63H 33/062; A63H  
33/067; A63H 33/08; A63H 33/10; A63H  
33/101; A63H 33/103; A63H 33/105;  
A63H 33/106–108

See application file for complete search history.

(56) **References Cited**

**U.S. PATENT DOCUMENTS**

- 3,528,192 A \* 9/1970 Meates ..... A63H 33/086  
446/124
- D285,948 S \* 9/1986 Mazzoleni ..... D21/486
- D290,721 S \* 7/1987 Ryaa ..... D21/484
- D304,212 S \* 10/1989 Moe ..... D21/486
- D367,085 S \* 2/1996 Donly ..... D21/486

- D394,091 S \* 5/1998 Parry ..... D21/486
- D685,861 S \* 7/2013 Holman ..... D21/484
- D702,772 S \* 4/2014 Jensen ..... D21/486
- D762,267 S 7/2016 Glasband et al.
- D777,264 S 1/2017 Marcil et al.
- D818,056 S 5/2018 Lo
- D830,473 S \* 10/2018 Holman ..... A63H 33/086  
D21/484
- D830,474 S 10/2018 Holman
- D832,934 S 11/2018 Kogure
- D849,853 S 5/2019 Chen et al.
- D857,112 S 8/2019 Cowie et al.
- D858,651 S 9/2019 Barwald et al.
- D890,858 S 7/2020 Grove
- D891,531 S 7/2020 Zhang et al.
- D903,782 S 12/2020 Semling
- D903,783 S 12/2020 Semling
- D907,521 S 1/2021 Beaver
- D938,527 S \* 12/2021 Purwar ..... D21/486

\* cited by examiner

*Primary Examiner* — Joseph Kukella

(74) *Attorney, Agent, or Firm* — Revolution IP, PLLC

(57) **CLAIM**

The ornamental design for a brick for construction toys, as shown and described.

**DESCRIPTION**

FIG. 1 is a perspective view of a brick for construction toys showing the claimed design;  
 FIG. 2 is a front view thereof;  
 FIG. 3 is a rear view thereof;  
 FIG. 4 is a left side view thereof;  
 FIG. 5 is a right side view thereof;  
 FIG. 6 is a top view thereof; and,  
 FIG. 7 is a bottom view thereof.

**1 Claim, 7 Drawing Sheets**

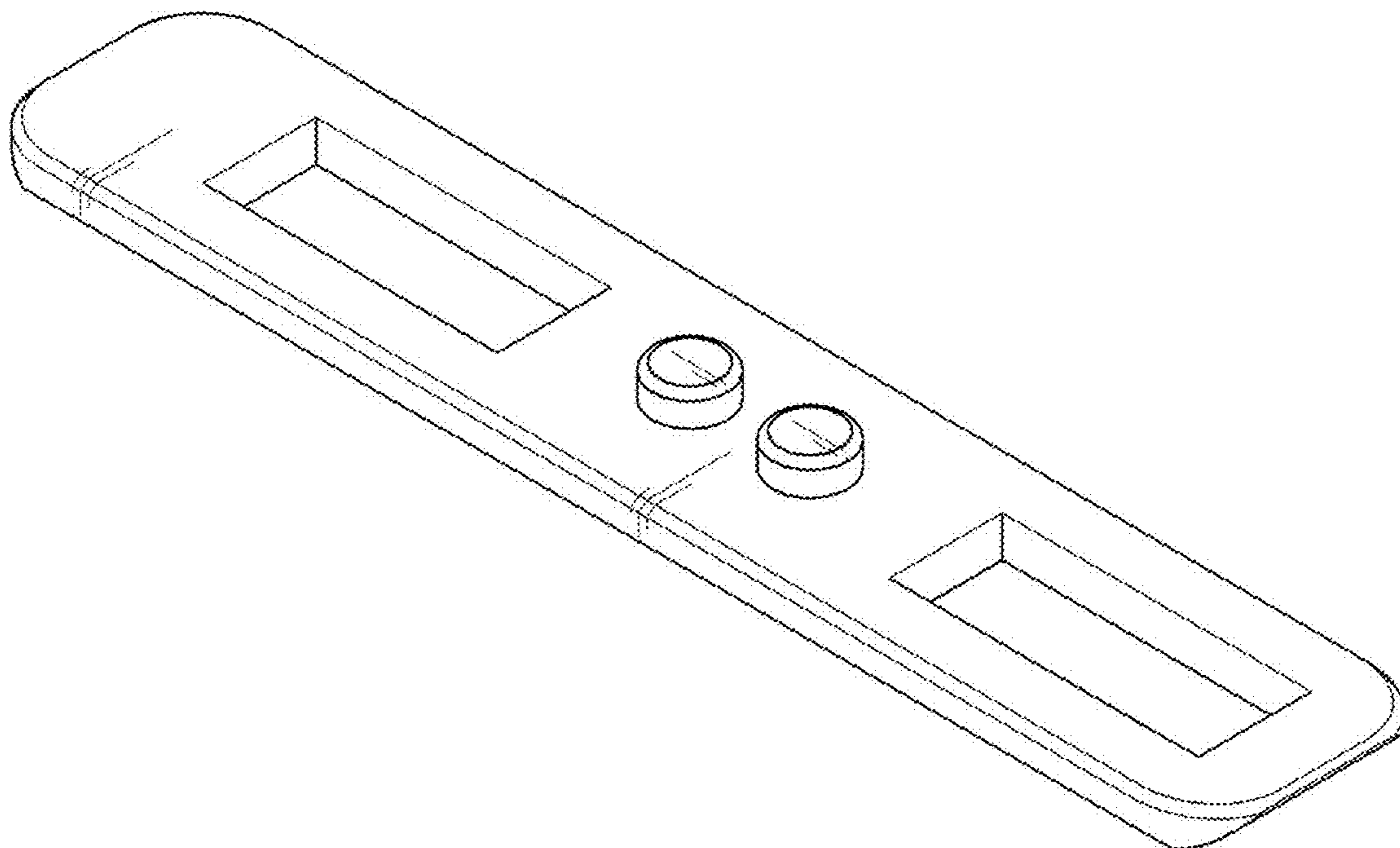


FIG. 1

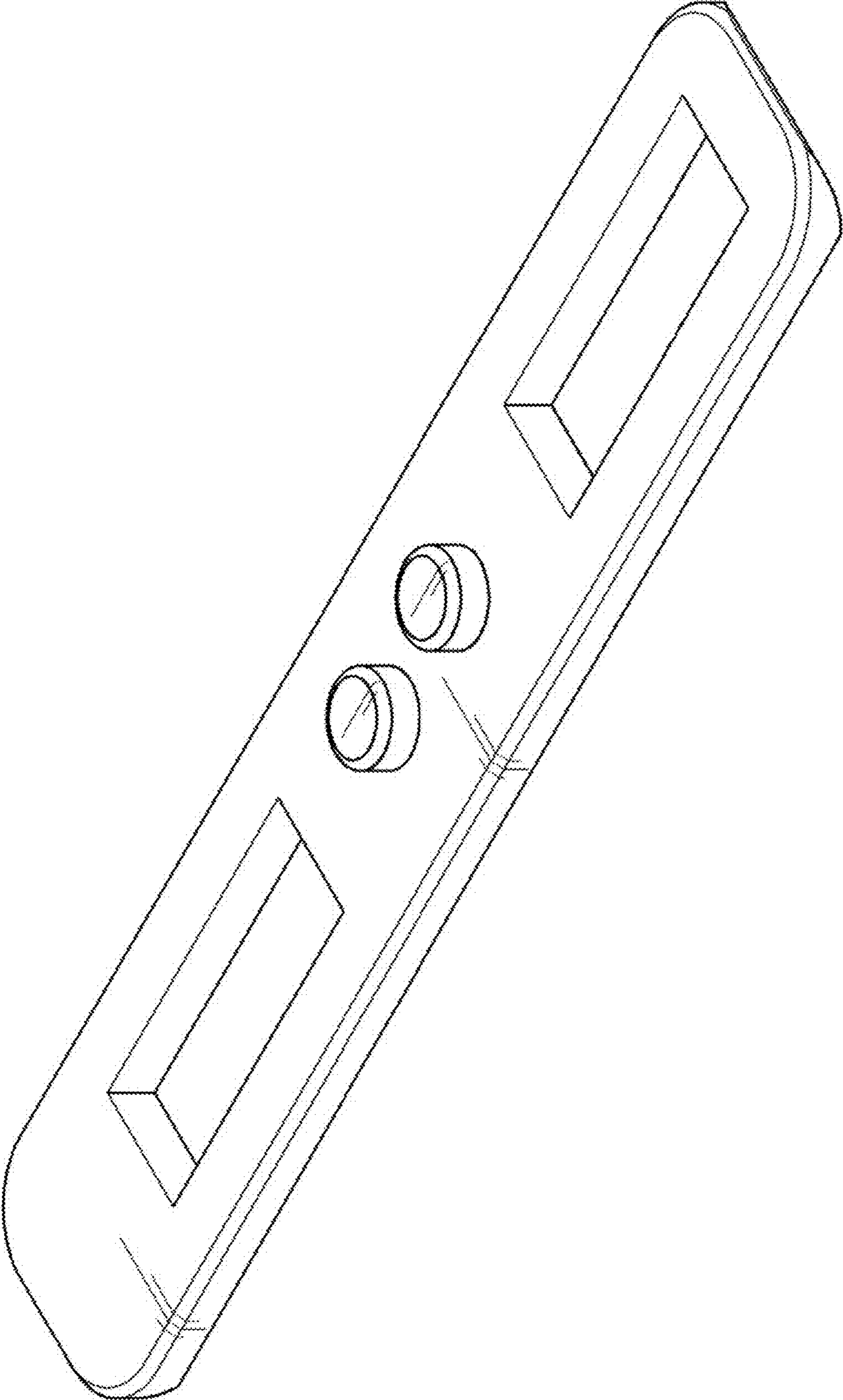


FIG. 2

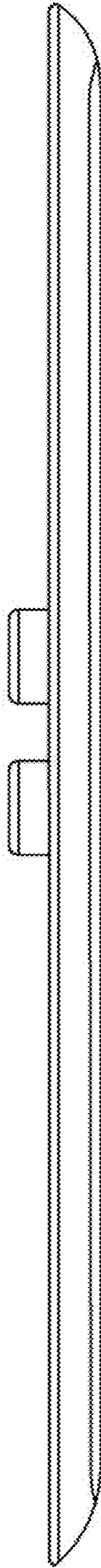


FIG. 3

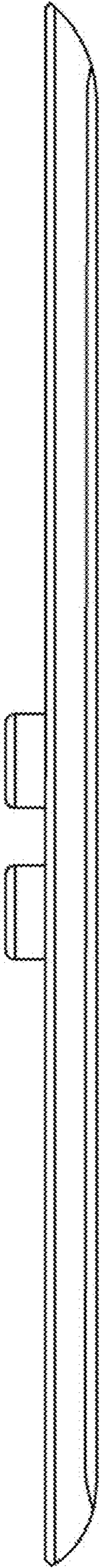


FIG. 4

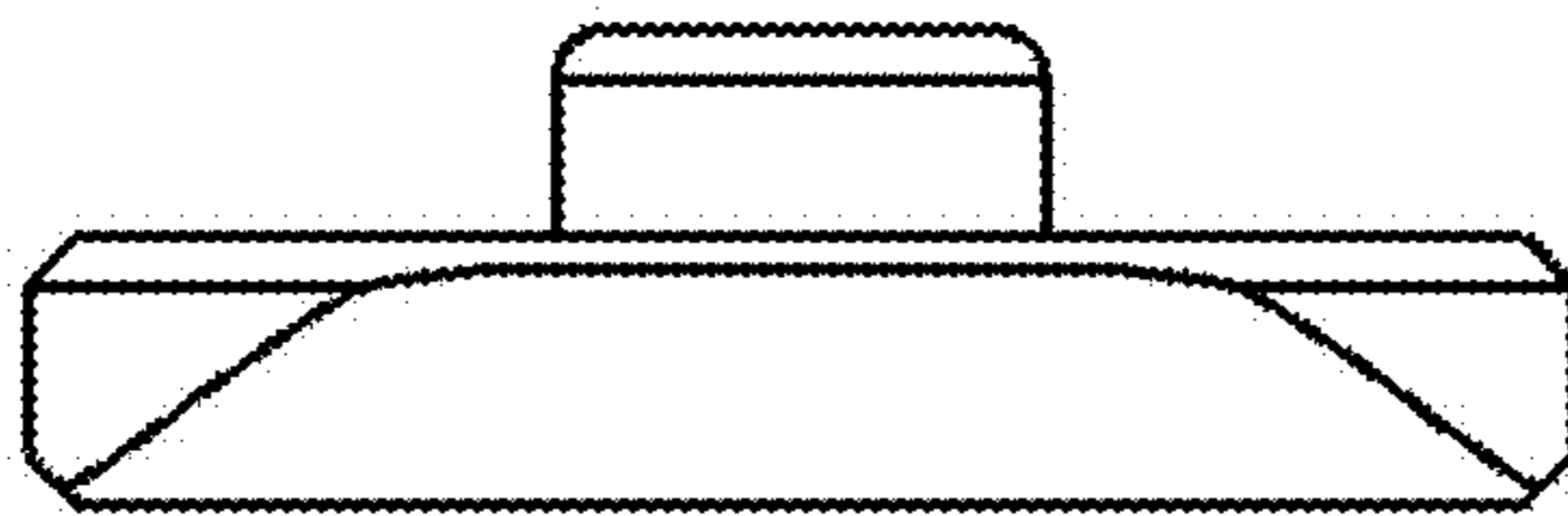


FIG. 5

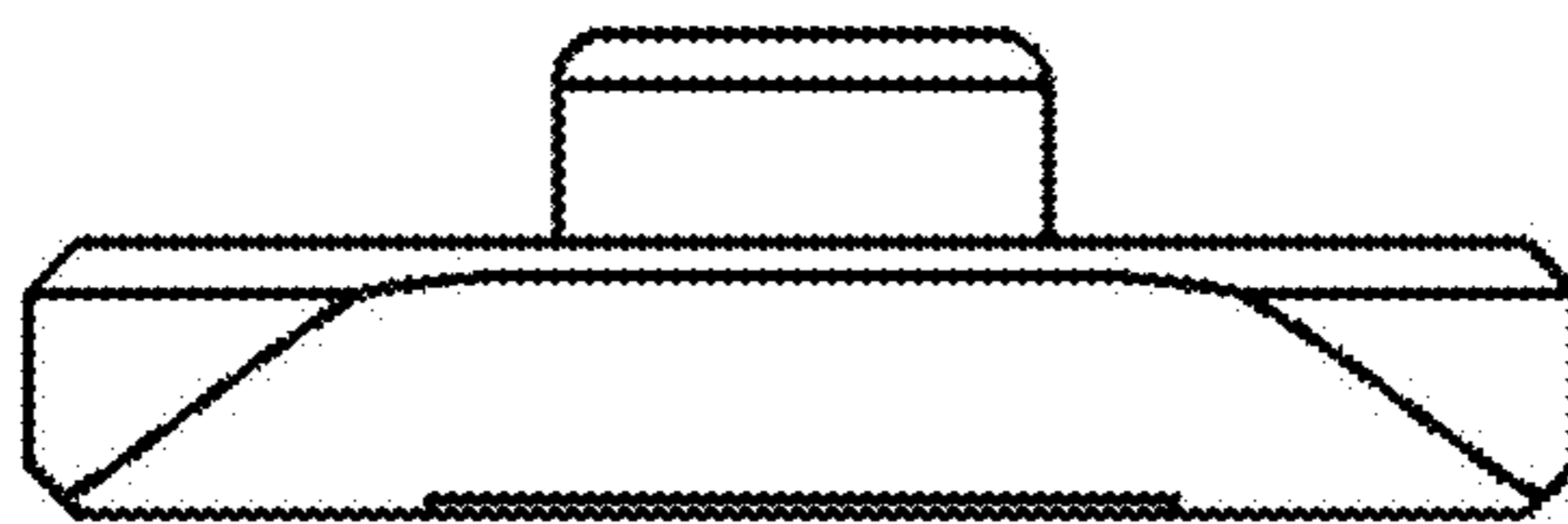




FIG. 6

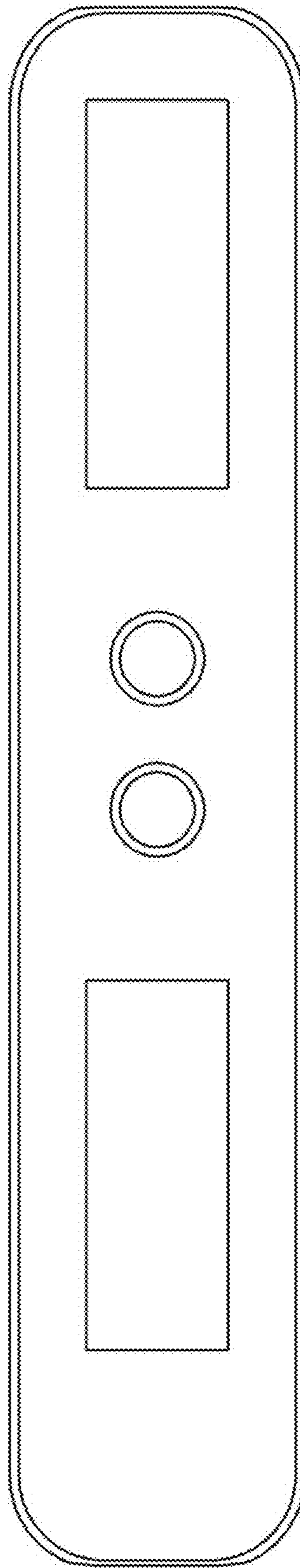


FIG. 7

