



US00D959563S

(12) **United States Design Patent** (10) **Patent No.:** **US D959,563 S**  
**Lyu** (45) **Date of Patent:** **\*\* Aug. 2, 2022**

(54) **SET OF MAGNETIC TOY COMPONENTS**

(71) Applicant: **HangZhou JinJuYou Technology co. LTD**, Hangzhou (CN)

(72) Inventor: **Yongdi Lyu**, Jinhua (CN)

(\*\*) Term: **15 Years**

(21) Appl. No.: **29/750,671**

(22) Filed: **Sep. 16, 2020**

(51) **LOC (13) Cl.** ..... **21-01**

(52) **U.S. Cl.**  
USPC ..... **D21/404**

(58) **Field of Classification Search**  
USPC ..... D21/404, 484, 489, 490, 491, 494, 500, D21/501, 504, 505, 385, 386, 364, 365; D6/303, 312, 314; D13/183; D5/15, 1, D5/2, 41; D25/103, 104, 106, 109, 110, D25/111  
CPC ..... A63F 9/34; A63F 2003/00391; A63H 33/044; A63H 33/046; A63H 33/26; A63H 33/10; A63H 33/00; A63H 33/06; A63H 33/08; A63H 33/12; A63H 33/14; G09B 1/38; B44F 1/06; B44F 1/066; B44F 1/08; B44F 7/00; B44F 3/00  
See application file for complete search history.

(56) **References Cited**

**U.S. PATENT DOCUMENTS**

D17,735 S *	9/1887	Rowe	.....	D25/104
D44,948 S *	11/1913	Walsh	.....	D25/103
D270,921 S *	10/1983	Morgan	.....	D21/364
D423,794 S *	5/2000	Brownfield	.....	D6/300
D771,752 S *	11/2016	Henkin	.....	D21/491
D773,562 S *	12/2016	Kiribuchi	.....	D21/489
D789,312 S *	6/2017	Wang	.....	D21/491
D813,955 S *	3/2018	Henkin	.....	D21/489
D827,720 S *	9/2018	Whang	.....	D21/404

D827,721 S *	9/2018	Whang	.....	D21/404
D829,825 S *	10/2018	Henkin	.....	D21/404
D893,635 S *	8/2020	Henkin	.....	D21/404
D894,284 S *	8/2020	Kogure	.....	D21/364
D894,289 S *	8/2020	Henkin	.....	D21/404
D922,495 S *	6/2021	Lv	.....	D21/404
D922,501 S *	6/2021	Lv	.....	D21/491
D928,239 S *	8/2021	Wang	.....	D21/489
D929,505 S *	8/2021	Wang	.....	D21/490
2016/0184727 A1 *	6/2016	Ornstein	.....	A63H 33/046 446/92
2020/0246715 A1 *	8/2020	Bensussan	.....	A63H 33/10

**OTHER PUBLICATIONS**

MegagonTiles 110PCS Premium Magnetic Tiles. Date First Available: Aug. 5, 2021. Retrieved from internet: <<https://www.amazon.com.au/dp/B08XZMST3F>> [site visited Apr. 20, 2022] (Year: 2021).\*

(Continued)

*Primary Examiner* — Katherine Glennon

*Assistant Examiner* — Yuan Yuan

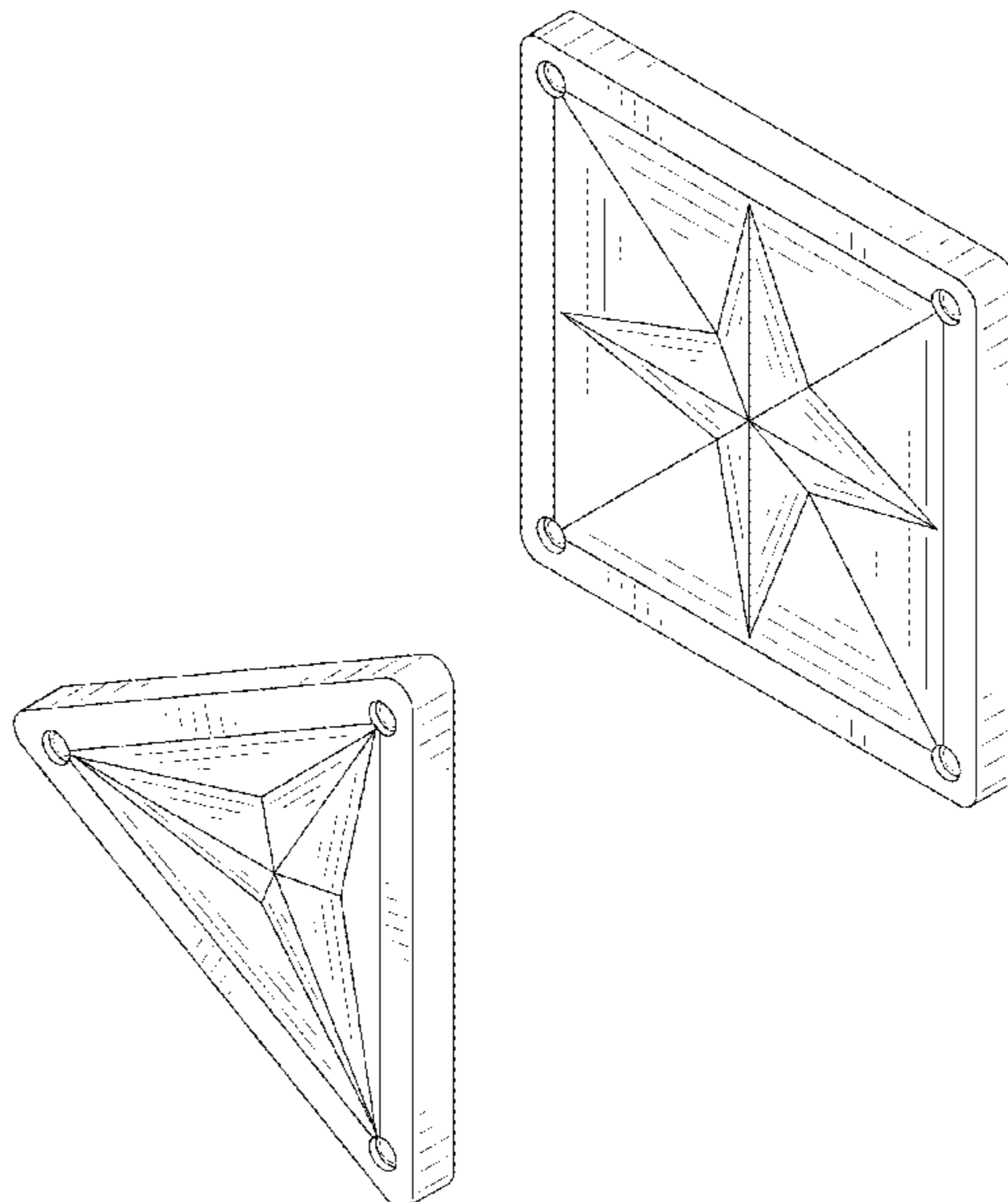
(57) **CLAIM**

The ornamental design for a set of magnetic toy components, as shown and described.

**DESCRIPTION**

FIG. 1 is a front and top perspective view of a set of magnetic toy components, showing my new design; FIG. 2 is a rear and bottom perspective view thereof; FIG. 3 is a front elevational view thereof; FIG. 4 is a rear elevational view thereof; FIG. 5 is a left side elevational view thereof; FIG. 6 is a right side elevational view thereof; FIG. 7 is a top plan view thereof; and, FIG. 8 is a bottom plan view thereof. The broken lines in the figures illustrate portions of the article that form no part of the claimed design.

**1 Claim, 8 Drawing Sheets**



(56)

**References Cited**

OTHER PUBLICATIONS

Steam Studio 110pcs Premium Magnetic Tiles. Date First Available:  
Jun. 16, 2021. Retrieved from internet: <<https://www.amazon.com.au/dp/B091BY74M8>> [site visited Apr. 20, 2022] (Year: 2021).\*

\* cited by examiner

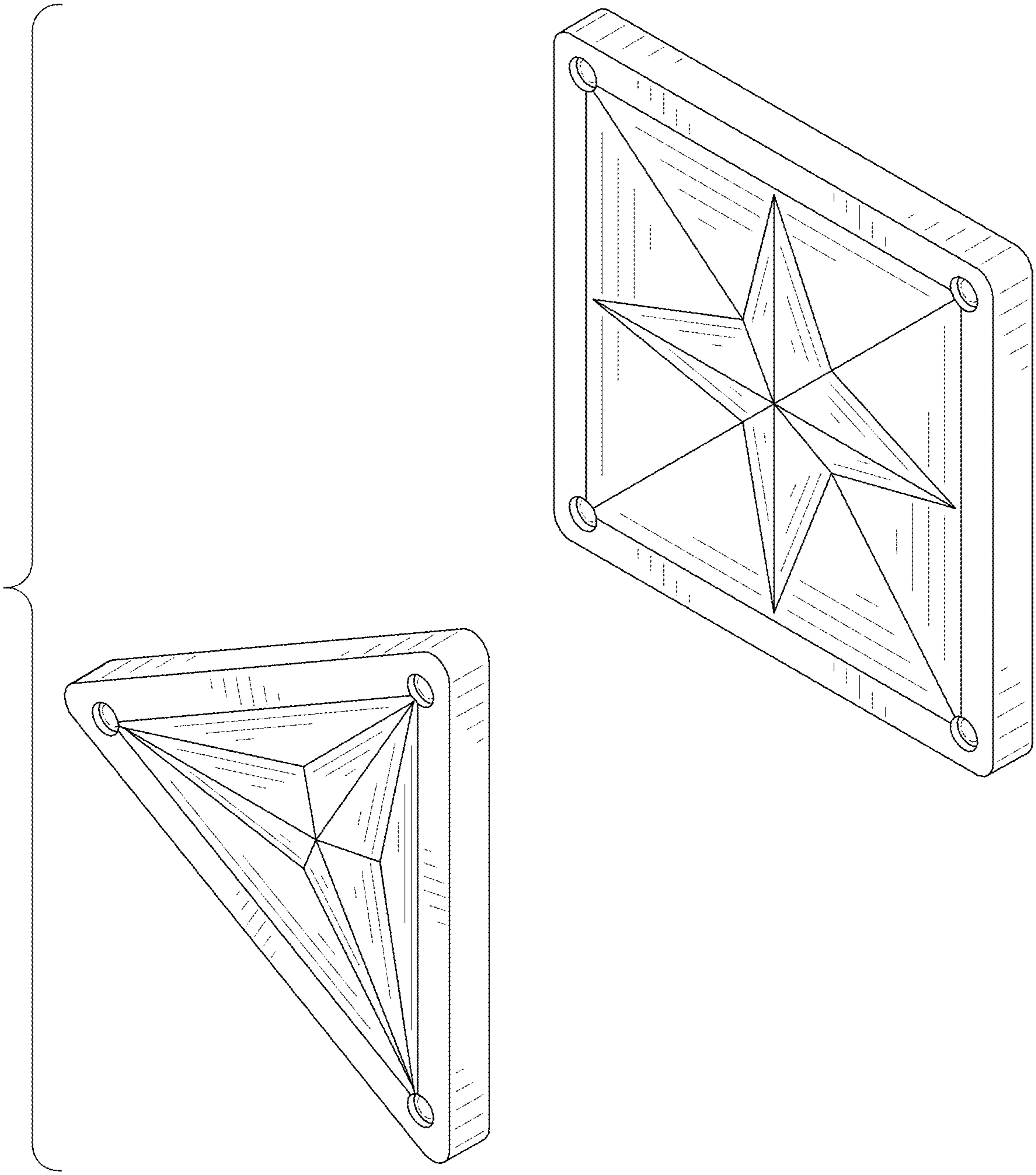


FIG. 1

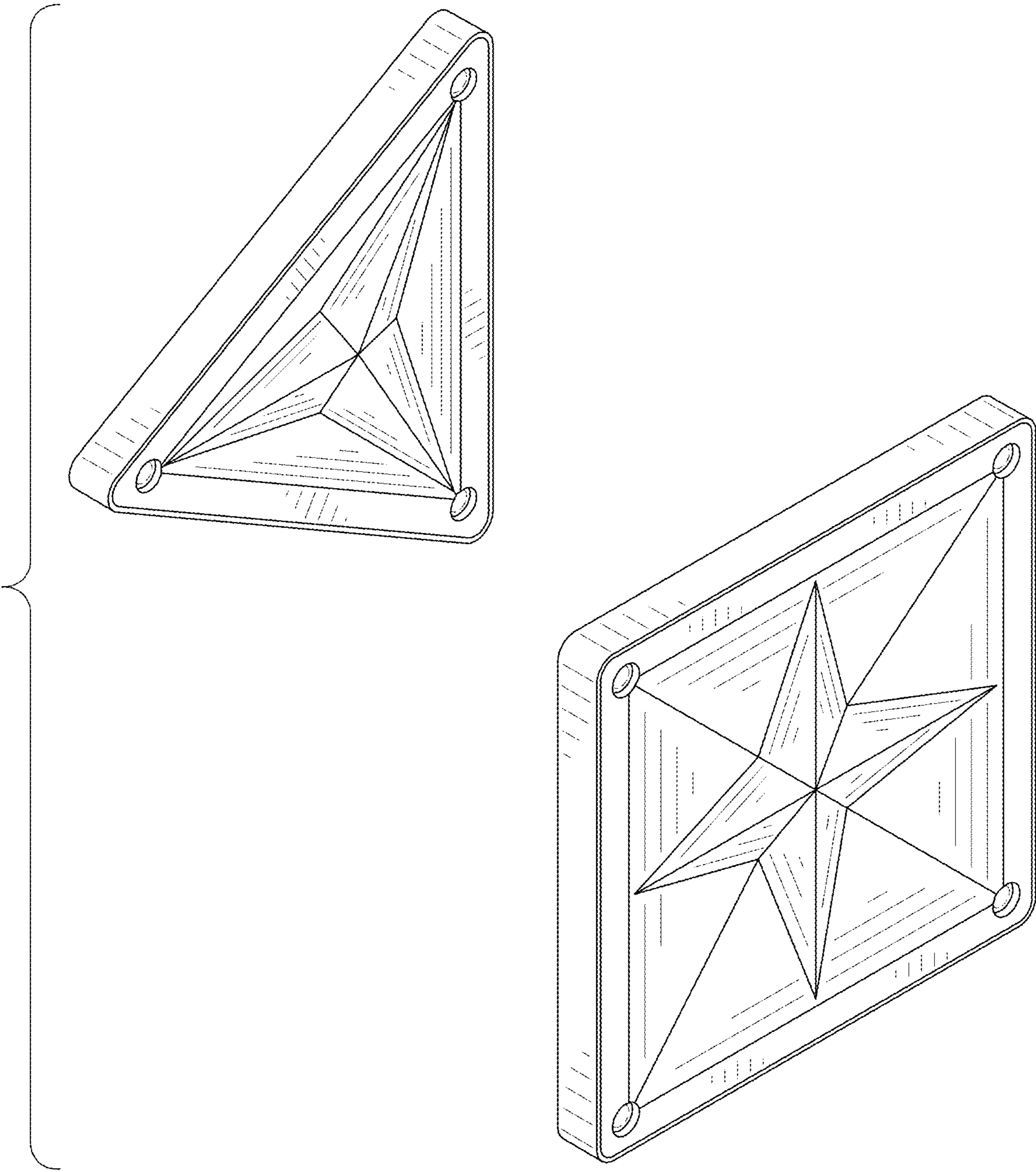


FIG. 2

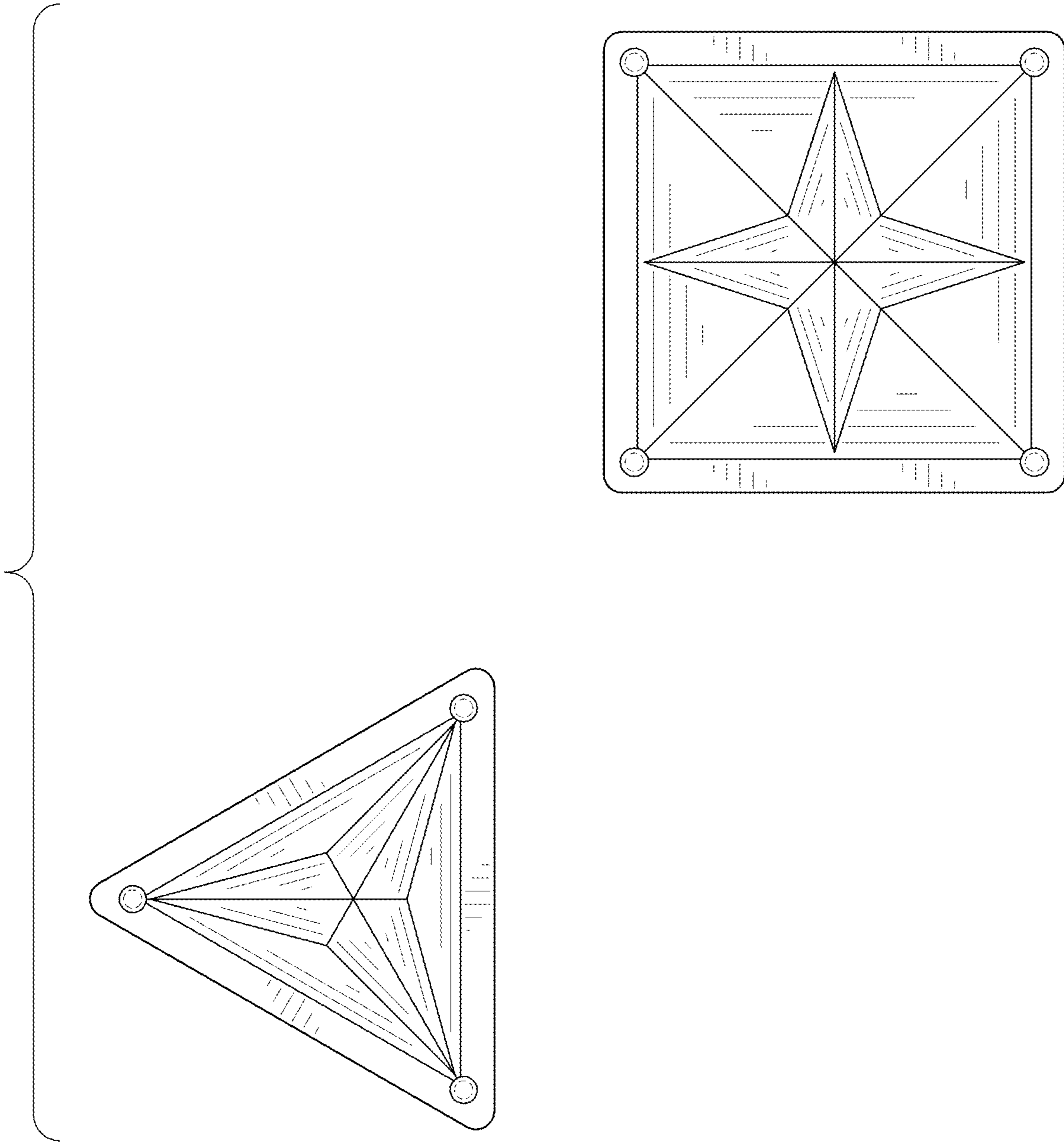


FIG. 3

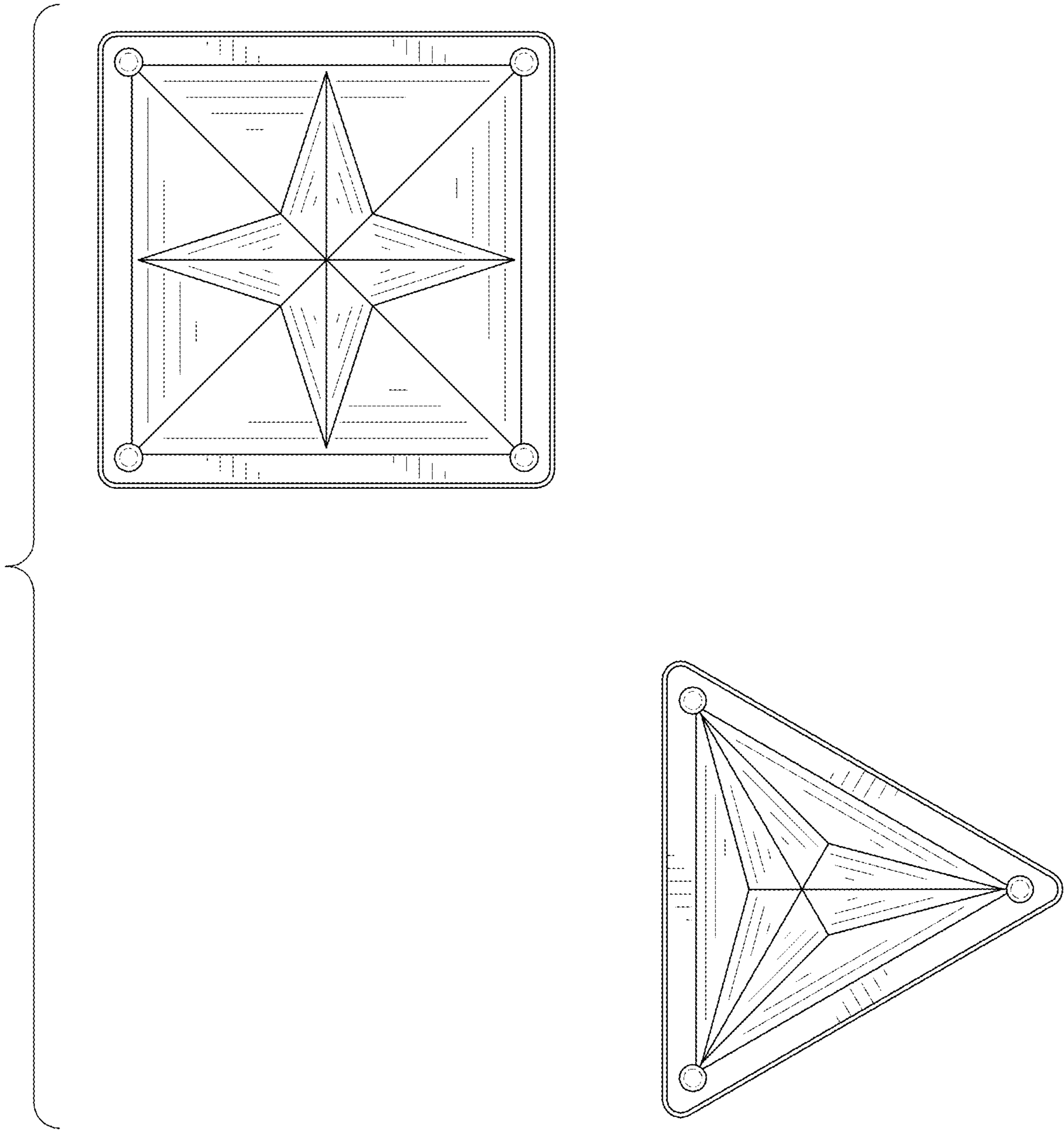


FIG. 4

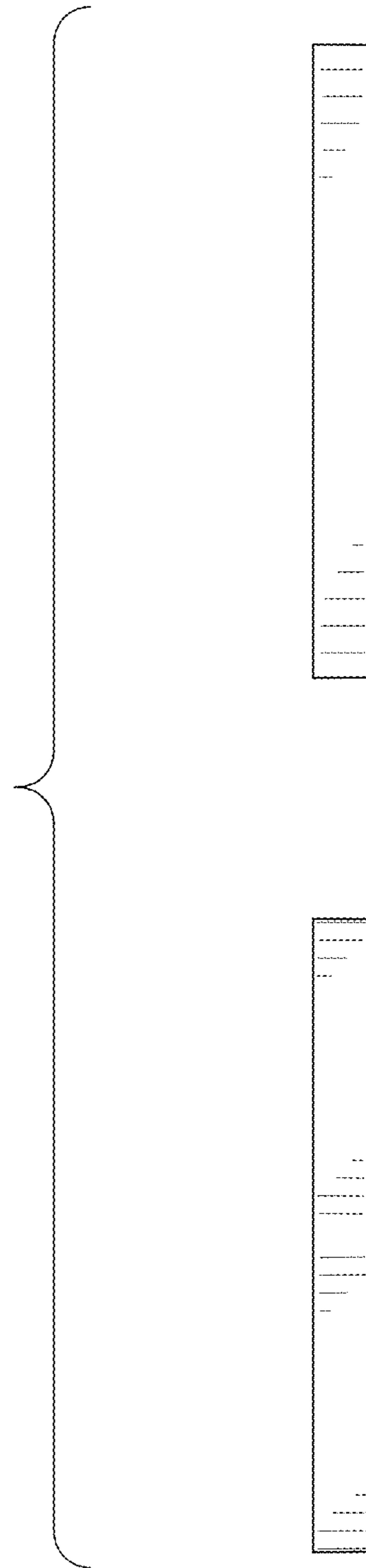


FIG. 5

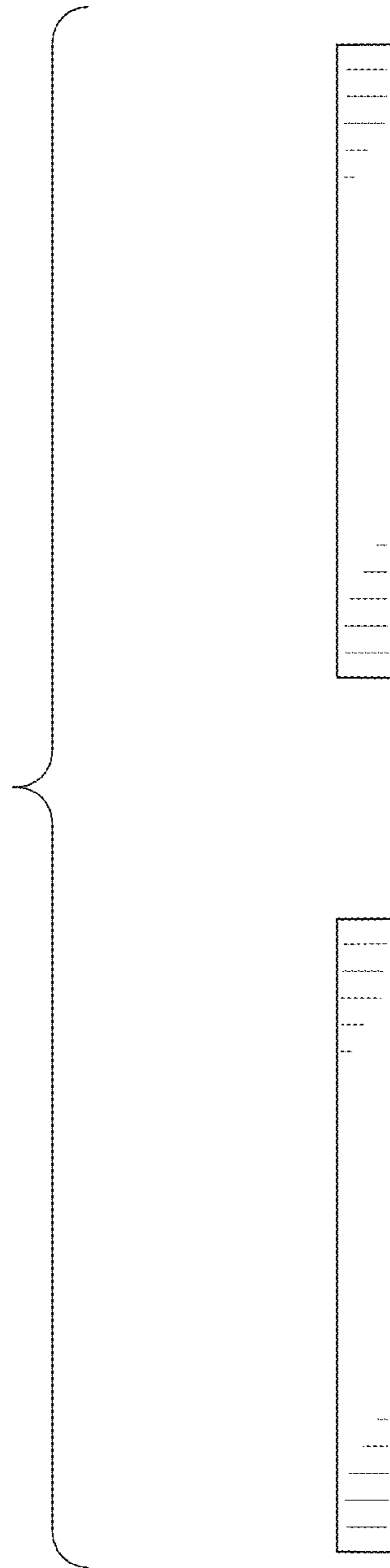


FIG. 6



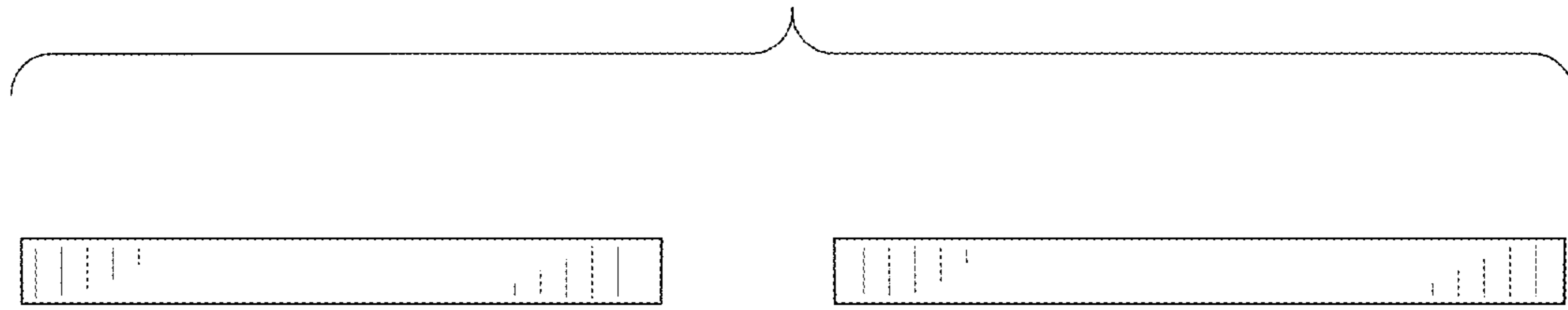


FIG. 7

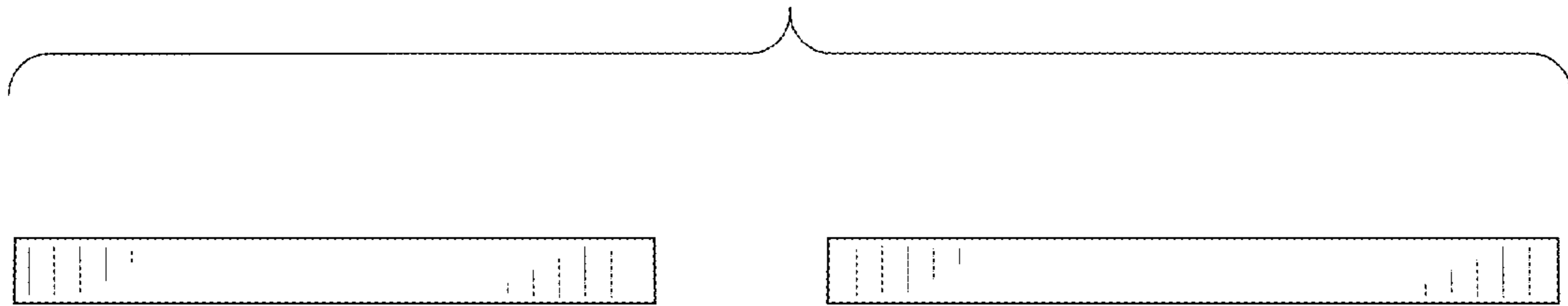


FIG. 8