



US00D959561S

(12) **United States Design Patent** (10) **Patent No.:** **US D959,561 S**
Zhang (45) **Date of Patent:** **** Aug. 2, 2022**

(54) **GAME CONSOLE PROTECTIVE SHELL**

(71) Applicant: **Shenzhen LeyuSmart Technology Co., Ltd.**, Shenzhen (CN)

(72) Inventor: **Xinbin Zhang**, Puning (CN)

(**) Term: **15 Years**

(21) Appl. No.: **29/777,002**

(22) Filed: **Apr. 1, 2021**

(51) **LOC (13) Cl.** **21-01**

(52) **U.S. Cl.**
USPC **D21/333**

(58) **Field of Classification Search**

USPC D21/324–29, 330, 331, 333, 341, 342, D21/349, 386; D14/137, 138, 160, 168, D14/174, 177, 190, 217, 218, 250, 299, D14/322, 341, 345, 346, 353, 354, 356, D14/387, 388, 389, 399–401, 412–416, D14/421, 432, 440, 443, 449, 450, 454, D14/463, 471, 474, 483, 493, 496, 511; D22/100, 103–105; D13/162, 162.1, 168; D10/78, 98, 103; D12/174, 177, 190, D12/218; D18/10

CPC .. A63F 9/02; A63F 9/24; A63F 9/0291; A63F 9/0252; A63F 13/00; A63F 13/23; A63F 13/24; A63F 13/26; A63F 13/98; A63F 13/02; A63F 13/12

See application file for complete search history.

(56) **References Cited**

U.S. PATENT DOCUMENTS

D673,618 S	1/2013	Harper	
D702,684 S *	4/2014	Huang	D14/401
D712,484 S *	9/2014	Sumii	D21/333
D712,973 S *	9/2014	Sumii	D21/333
D718,818 S *	12/2014	Sumii	D21/333
D723,032 S *	2/2015	Schoenith	D14/401
D737,273 S *	8/2015	Schoenith	D14/401
D784,989 S *	4/2017	Kujawski	D14/401
D795,260 S *	8/2017	Schlossberg	D14/432

D806,078 S *	12/2017	Goldman	D14/401
D816,083 S *	4/2018	Wu	D14/401
D816,674 S *	5/2018	Wu	D14/401
D819,641 S *	6/2018	Tsuchiya	D14/401
D843,364 S *	3/2019	Sasaki	D14/250
D845,395 S *	4/2019	Strahle	D21/333
D856,334 S *	8/2019	Salter	D14/401
D863,286 S *	10/2019	Hong	D14/250
D864,302 S *	10/2019	Strahle	D21/333
D868,898 S *	12/2019	Fei	D21/333

(Continued)

OTHER PUBLICATIONS

“LeyuSmart Protective Case”, posted Nov. 30, 2020 [Online], [retrieved Jan. 6, 2022]. Retrieved from Internet, <https://www.amazon.com/LeyuSmart-Protective-Tempered-Protector-Nintendo/dp/B08PBN2JZD>.*

Primary Examiner — Mehri F Bajoul

(57) **CLAIM**

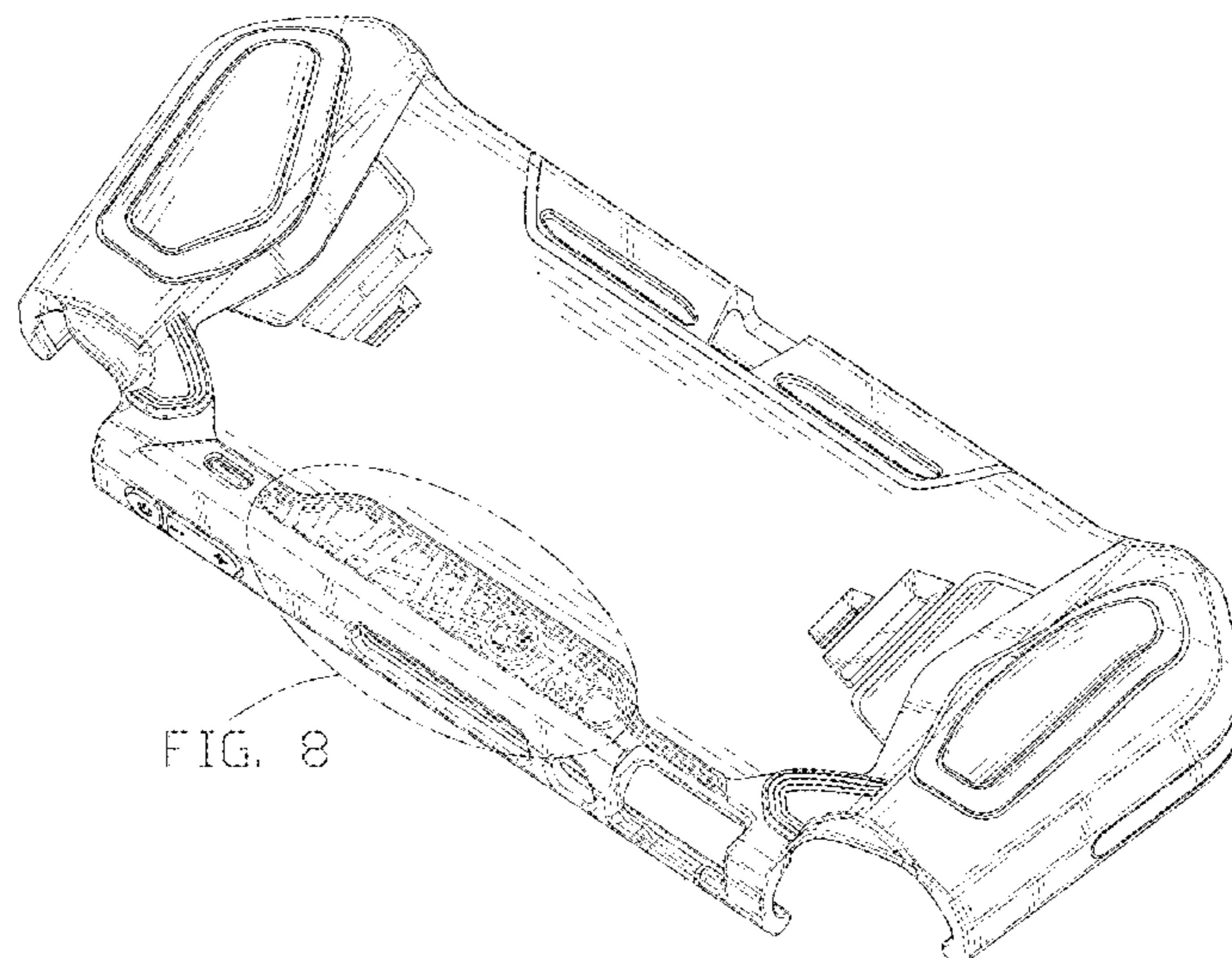
The ornamental design for a game console protective shell, as shown and described.

DESCRIPTION

FIG. 1 is a front and top perspective view of a game console protective shell, showing my new design; FIG. 2 is a front elevation view thereof; FIG. 3 is a rear elevation view thereof; FIG. 4 is a left side elevation view thereof; FIG. 5 is a right side elevation view thereof; FIG. 6 is a top plan view thereof; FIG. 7 is a bottom plan view thereof; and, FIG. 8 is an enlarged view of a portion labeled, ‘FIG. 8’ in FIG. 1.

The dashed broken lines of portions of the game console protective shell form no part of the claimed design. The long-short dash broken lines in FIGS. 1 and 8 depict the bounds of the magnified portions and form no part of the claimed design.

1 Claim, 8 Drawing Sheets



(56)

References Cited

U.S. PATENT DOCUMENTS

D872,183	S	*	1/2020	Chatterjee	D21/333
D874,467	S	*	2/2020	Piper	D14/440
D875,180	S	*	2/2020	Wang	D21/333
D875,834	S	*	2/2020	Tien	D21/333
D876,420	S	*	2/2020	Armstrong	D14/250
D879,083	S	*	3/2020	Feng	D14/250
D879,100	S	*	3/2020	Li	D14/432
D882,576	S	*	4/2020	Crisp	D14/432
D897,440	S	*	9/2020	Weng	D21/333
D900,935	S	*	11/2020	Lo	D21/333
D922,392	S	*	6/2021	Chan	D14/440
D937,842	S	*	12/2021	Hung	D14/440
2015/0068934	A1	*	3/2015	Armstrong	H04B 1/3888 206/320

* cited by examiner

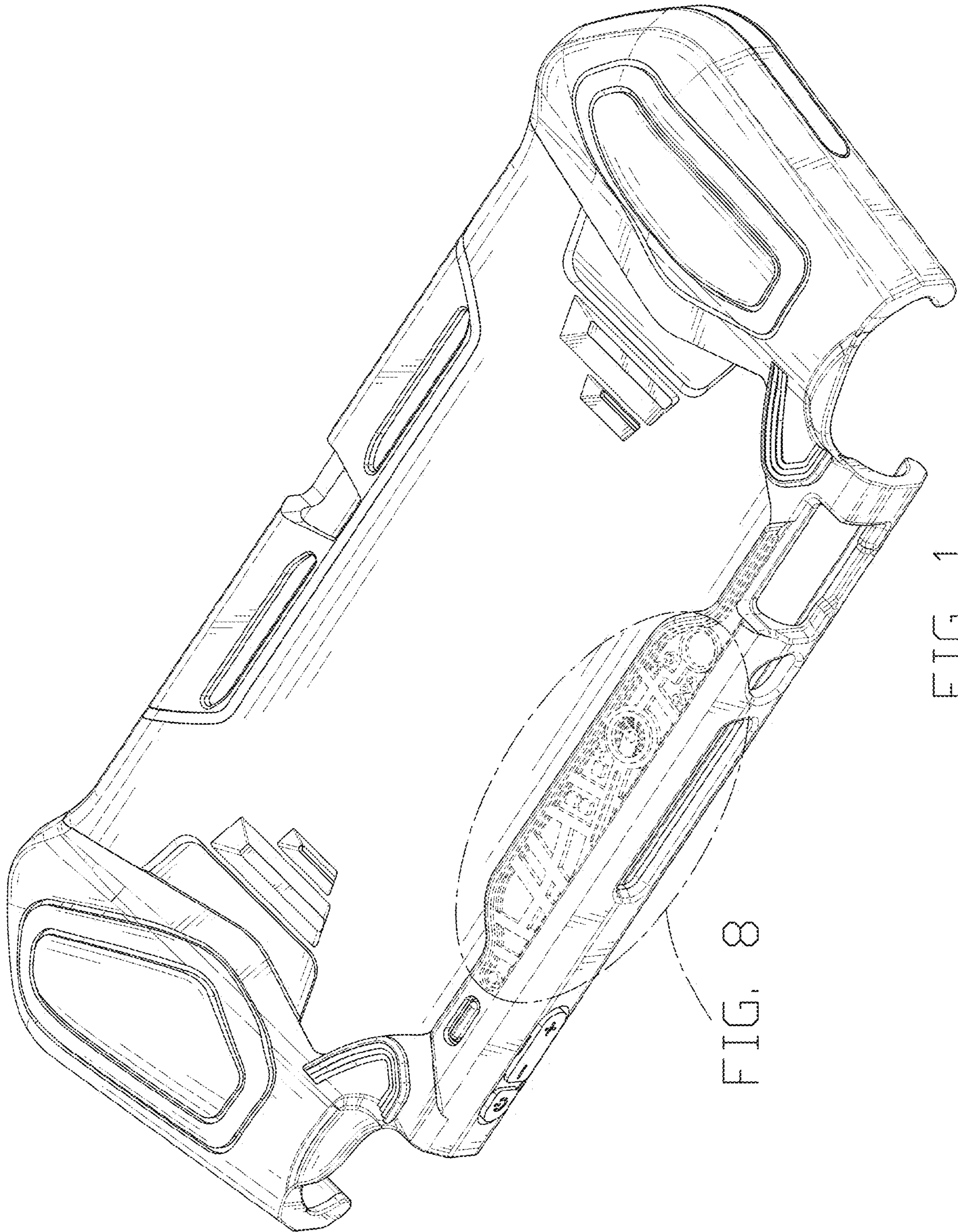


FIG. 1

FIG. 8

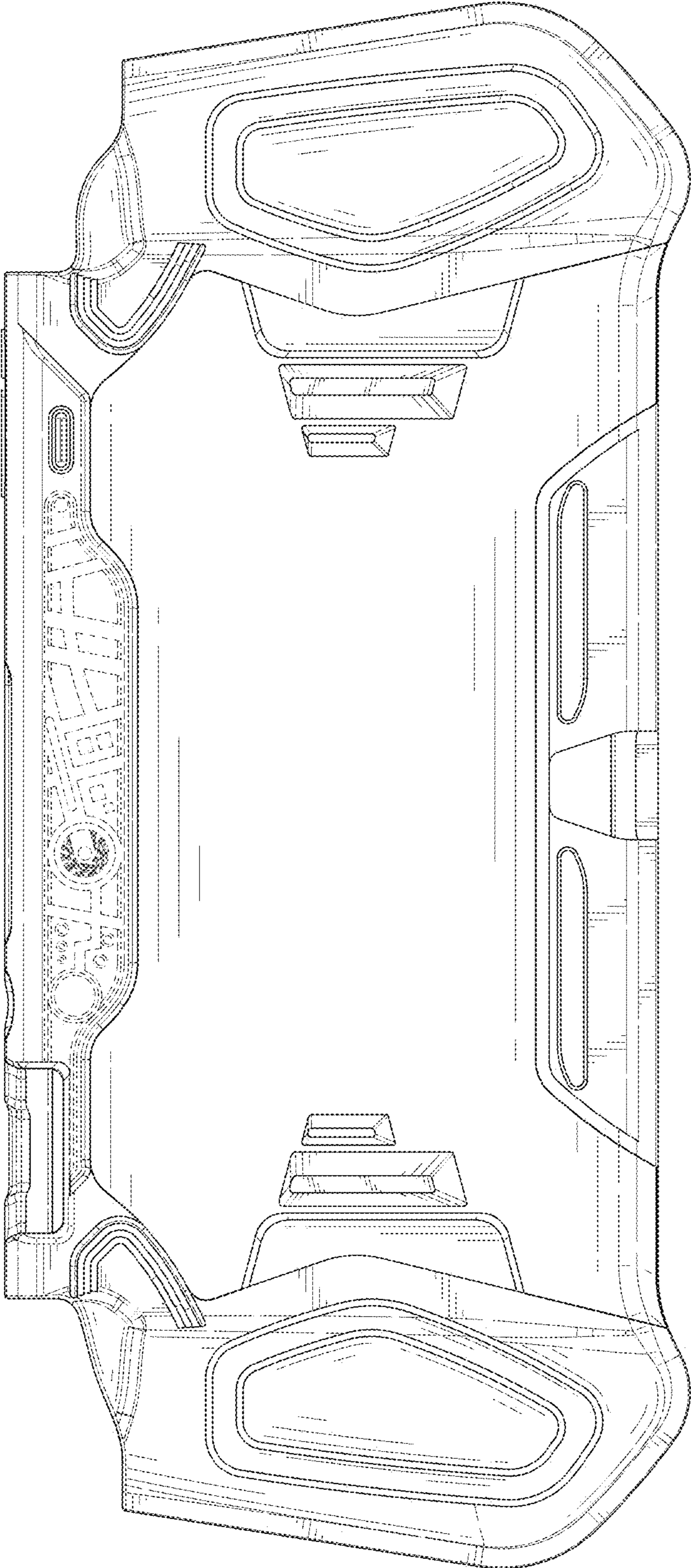


FIG. 2

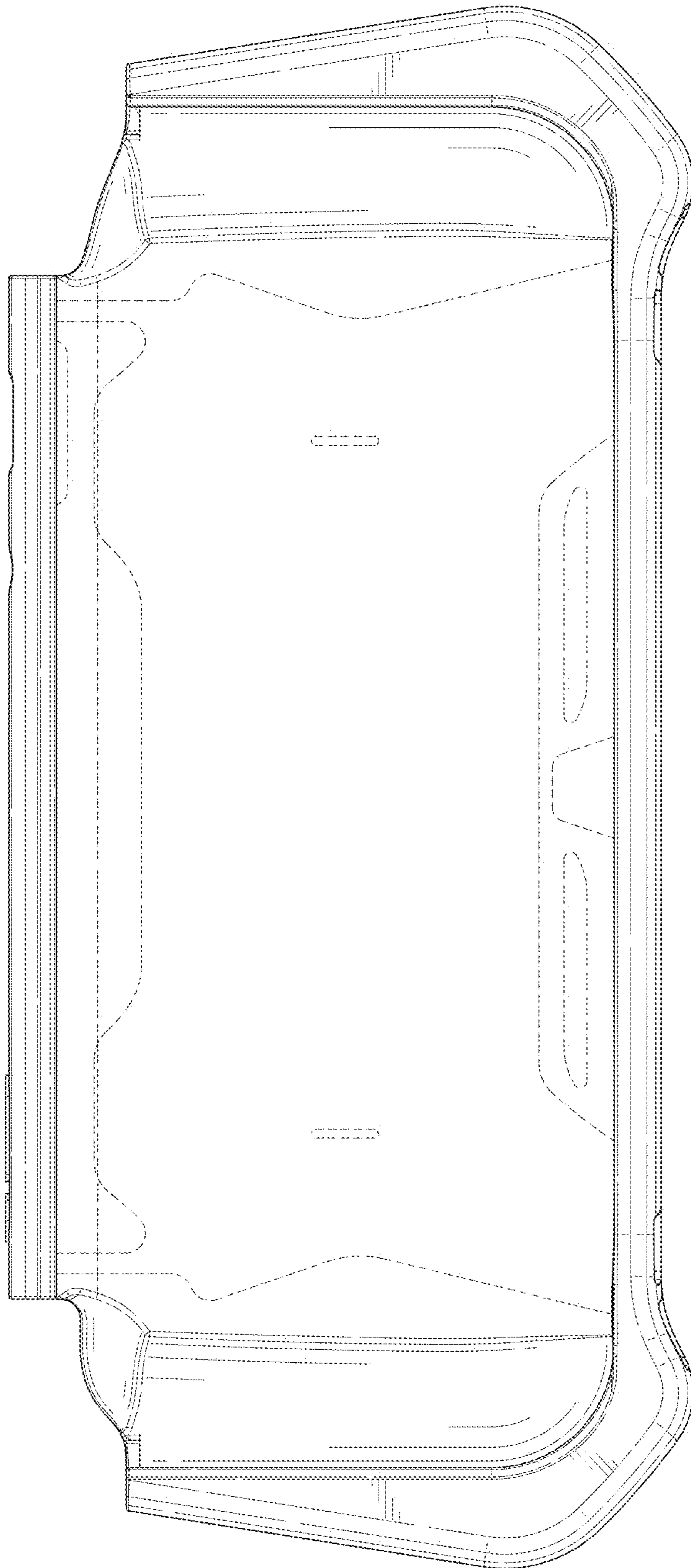


FIG. 3

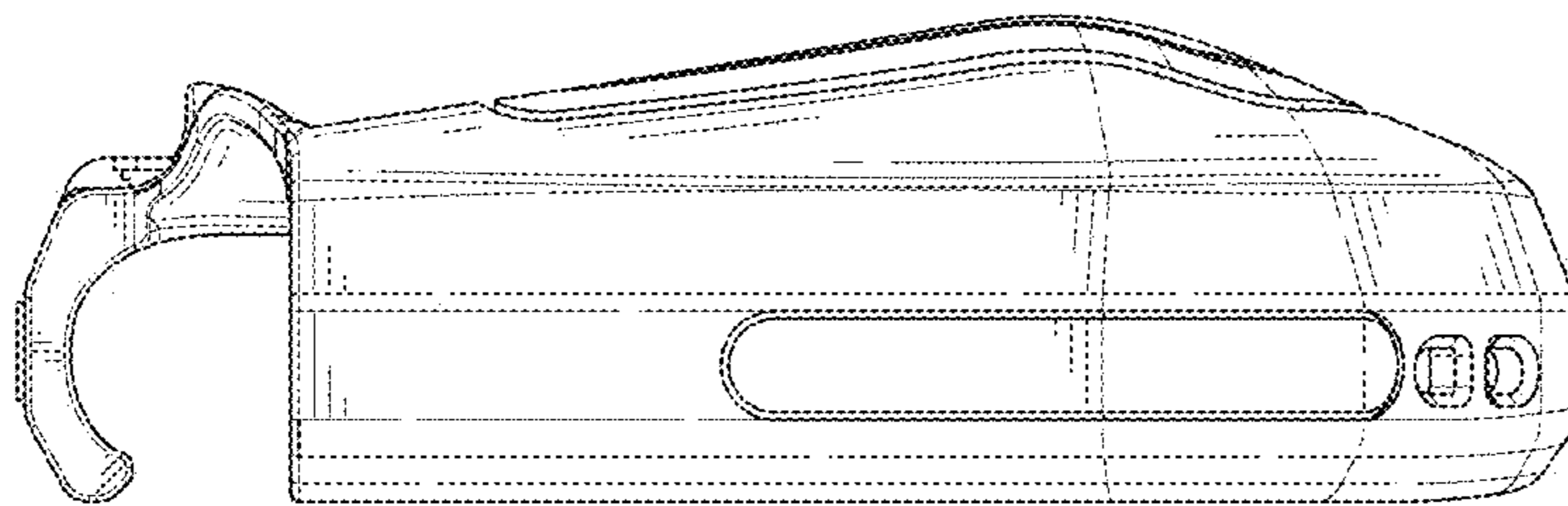


FIG. 4

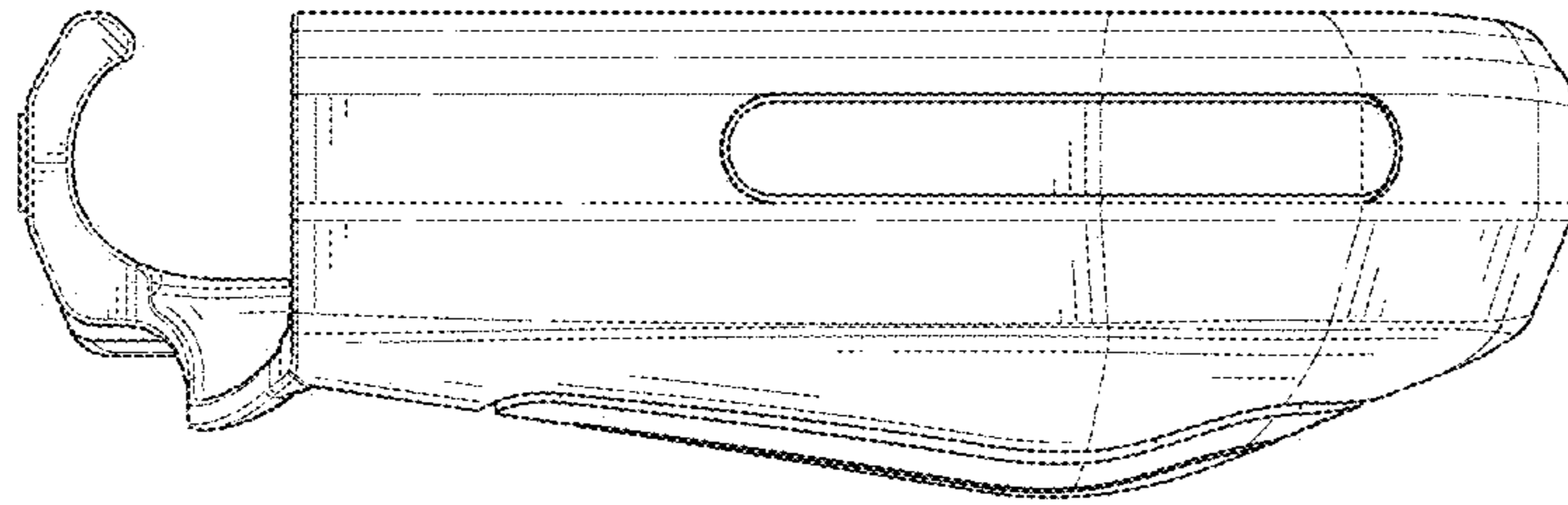


FIG. 5

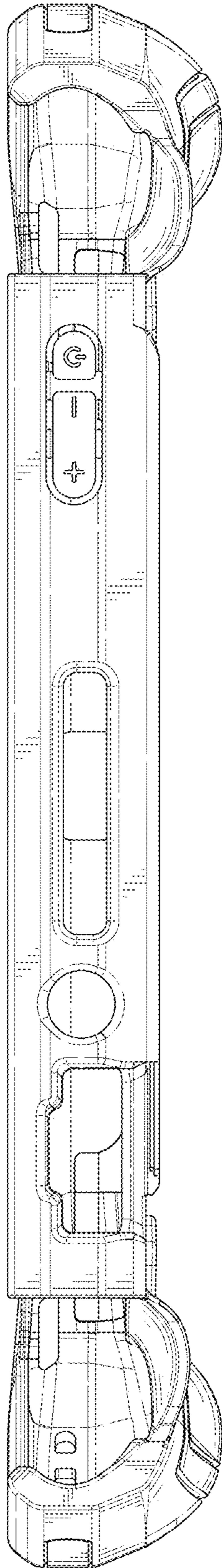


FIG. 6

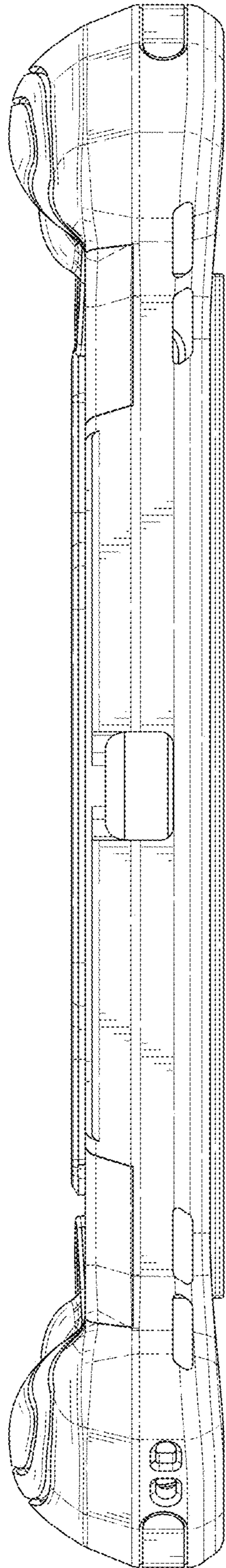


FIG. 7

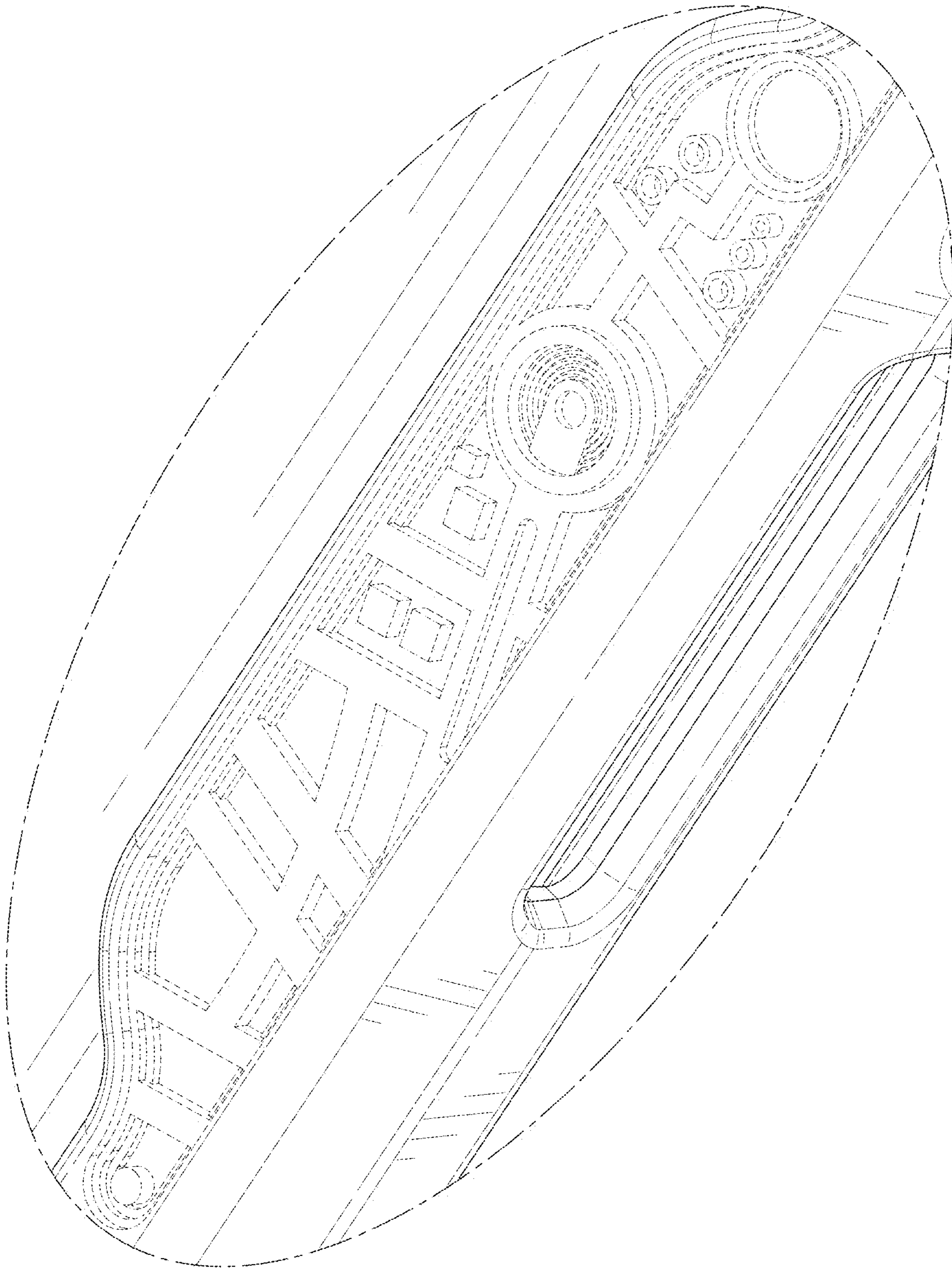


FIG. 8