



US00D959557S

(12) **United States Design Patent** (10) **Patent No.:** **US D959,557 S**
Sakai et al. (45) **Date of Patent:** **** Aug. 2, 2022**

(54) **AMUSEMENT GAME MACHINE**
(71) Applicant: **BANDAI NAMCO Amusement Inc.**,
Tokyo (JP)
(72) Inventors: **Tsuyoshi Sakai**, Tokyo (JP); **Takafumi Shirai**, Tokyo (JP); **Hiroki Nakamura**, Tokyo (JP); **Yasuji Fukutomi**, Tokyo (JP); **Yumeto Tsukada**, Tokyo (JP)

(74) *Attorney, Agent, or Firm* — Burns & Levinson LLP;
Joseph M. Maraia

(57) **CLAIM**

The ornamental design for an amusement game machine, as shown and described.

DESCRIPTION

(73) Assignee: **Bandai Namco Amusement Inc.**,
Tokyo (JP)
(**) Term: **15 Years**

- 1. Amusement game machine
- 1.1 : Perspective
- 1.2 : Perspective
- 1.3 : Front
- 1.4 : Back
- 1.5 : Top
- 1.6 : Right
- 1.7 : Left
- 1.8 : Cross sectional
- 1.9 : Cross sectional
- 1.10 : Cross sectional
- 1.11 : Front view without a seat
- 1.12 : Back view without a main body

(21) Appl. No.: **35/511,780**
(22) Filed: **Oct. 28, 2020**

(80) **Hague Agreement Data**
Int. Filing Date: **Oct. 28, 2020**
Int. Reg. No.: **DM/211764**
Int. Reg. Date: **Oct. 28, 2020**
Int. Reg. Pub. Date: **Apr. 30, 2021**
(51) **LOC (13) Cl.** **21-03**
(52) **U.S. Cl.**
USPC **D21/326**
(58) **Field of Classification Search**
USPC D21/324, 325, 326, 327, 328, 329, 333
CPC A63F 13/08; A63F 13/90
See application file for complete search history.

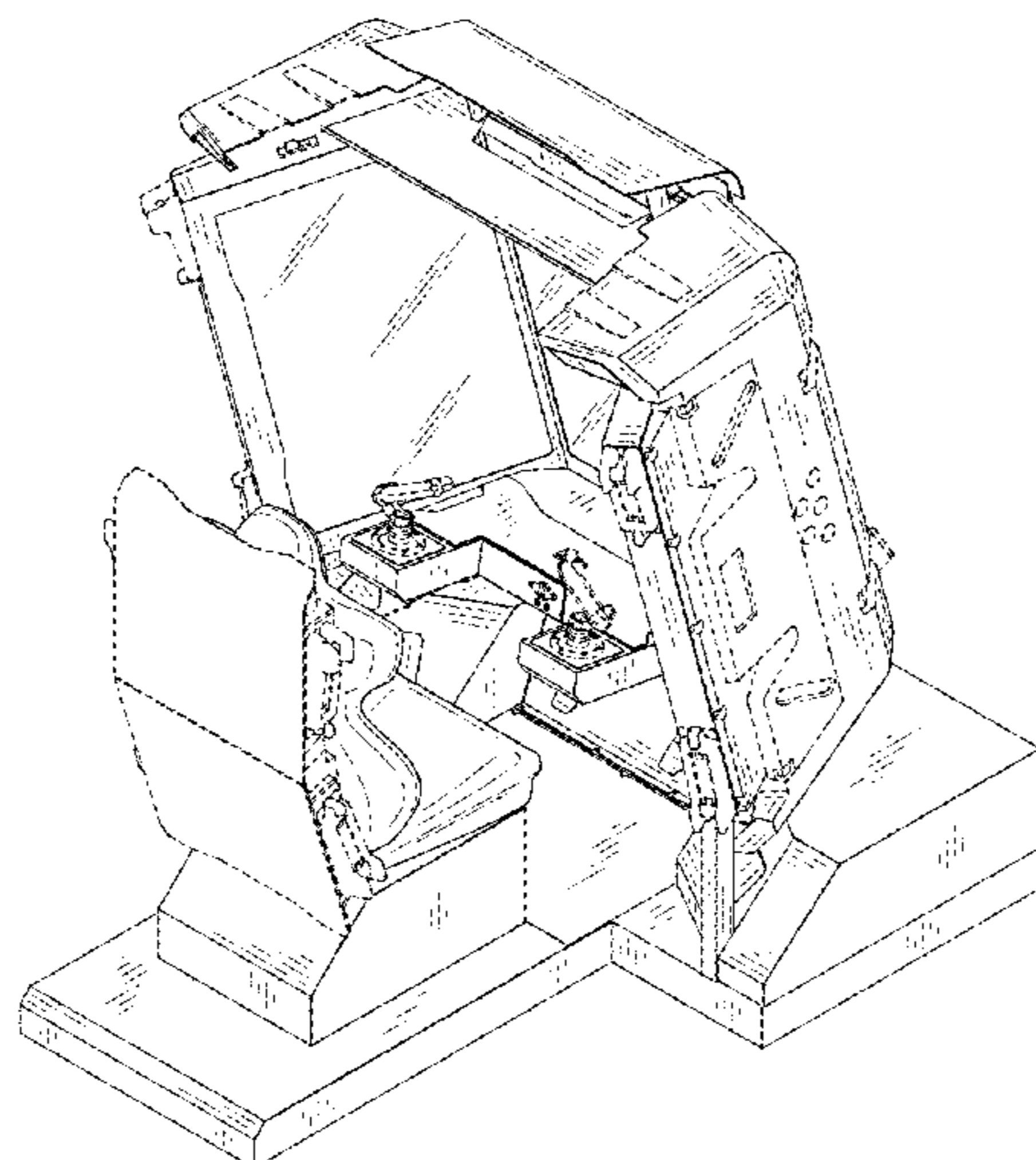
The present design is an amusement game machine in which a player plays a game by operating a handle while viewing video and hearing sound; the front, left, and right displays are tilted forward so as to surround the player, making the player feel more present in the game. Fig. 1.8 is a center vertical cross-sectional view of Fig. 1.3 seen from the right with internal structure omitted; Fig. 1.9 is a center vertical cross-sectional view of Fig. 1.3 seen from the left with internal structure omitted; Fig. 1.10 is a center horizontal cross-sectional view of Fig. 1.3 seen from the top with internal structure omitted. For clarity of illustration, Fig. 1.11 is a front view with the seat removed, and Fig. 1.12 is a back view with the main body removed.

(56) **References Cited**
U.S. PATENT DOCUMENTS
D376,391 S * 12/1996 Okumura D21/326
D380,779 S * 7/1997 Shinzato D21/326
D392,689 S * 3/1998 Muraki D21/326
D396,898 S * 8/1998 Tsuda D21/326
D402,707 S * 12/1998 Shinzato D21/326
D658,721 S * 5/2012 Yang D21/370
(Continued)

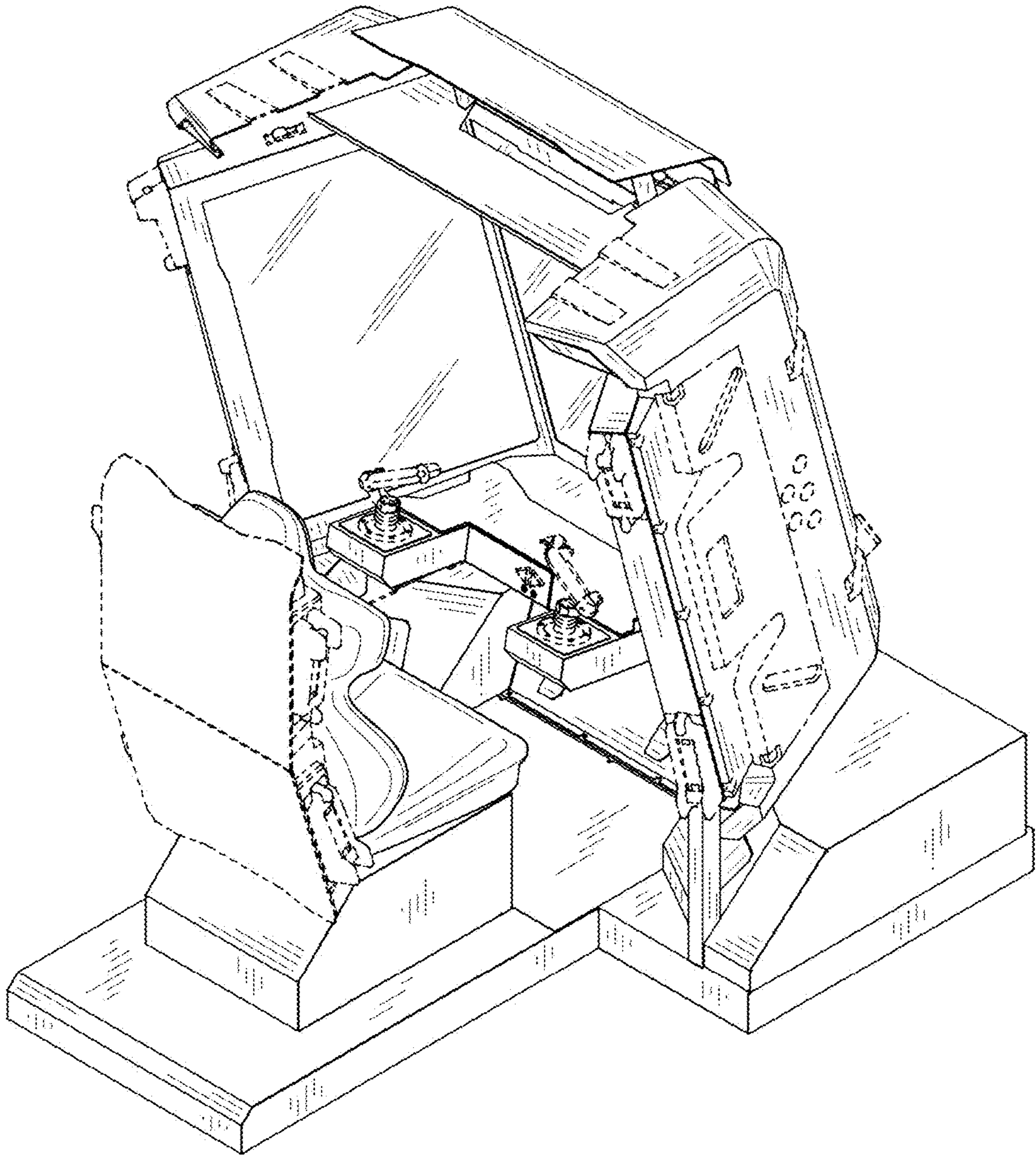
The long-dash-short-dash lines in the drawings denote boundaries of the claimed design and form no part thereof; the elements illustrated with oblique line shading are displays with reflective surfaces; the dash-dash broken lines depict environmental subject matter that forms no part of the claimed design.

Primary Examiner — Joseph Kukella

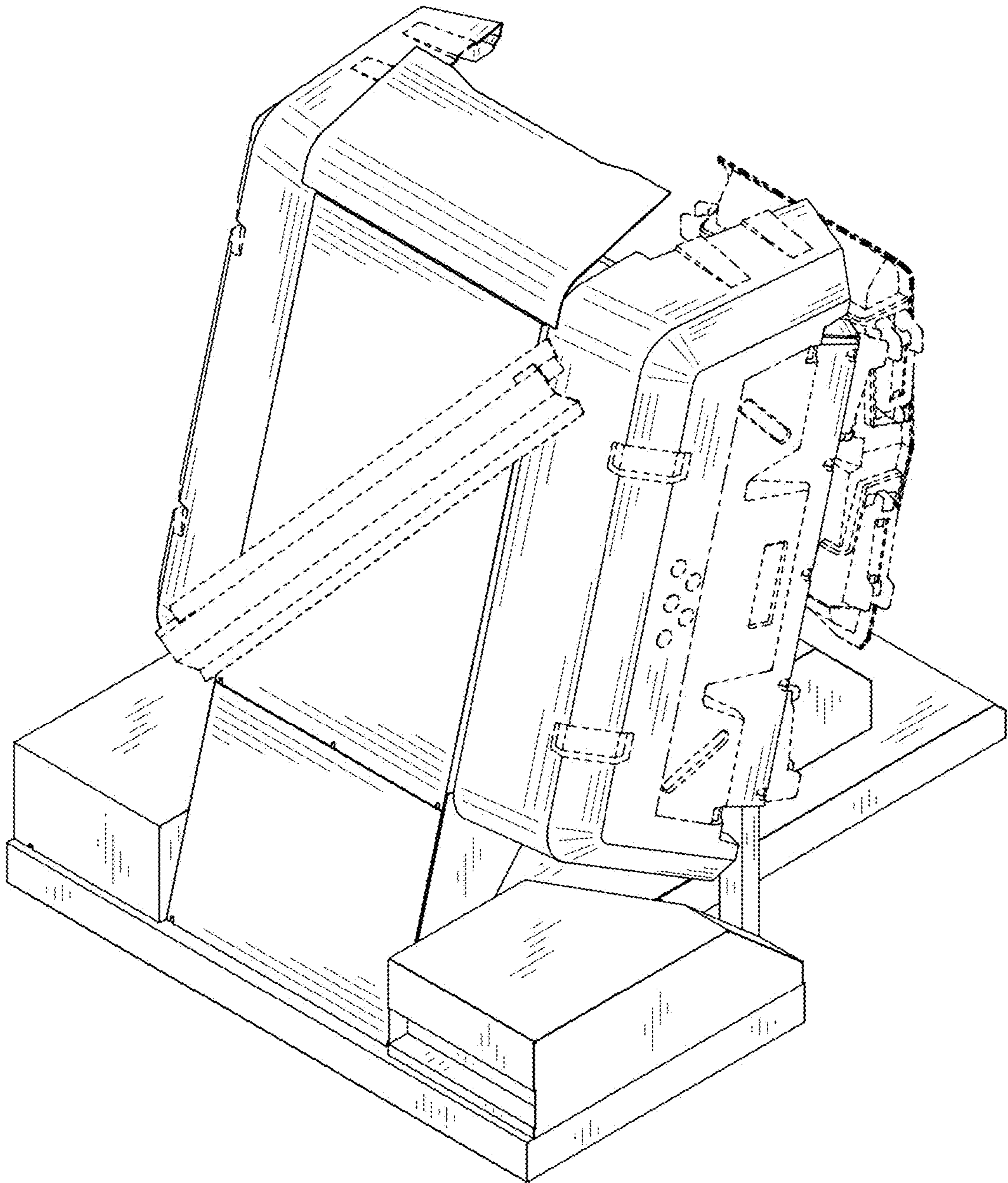
1 Claim, 12 Drawing Sheets



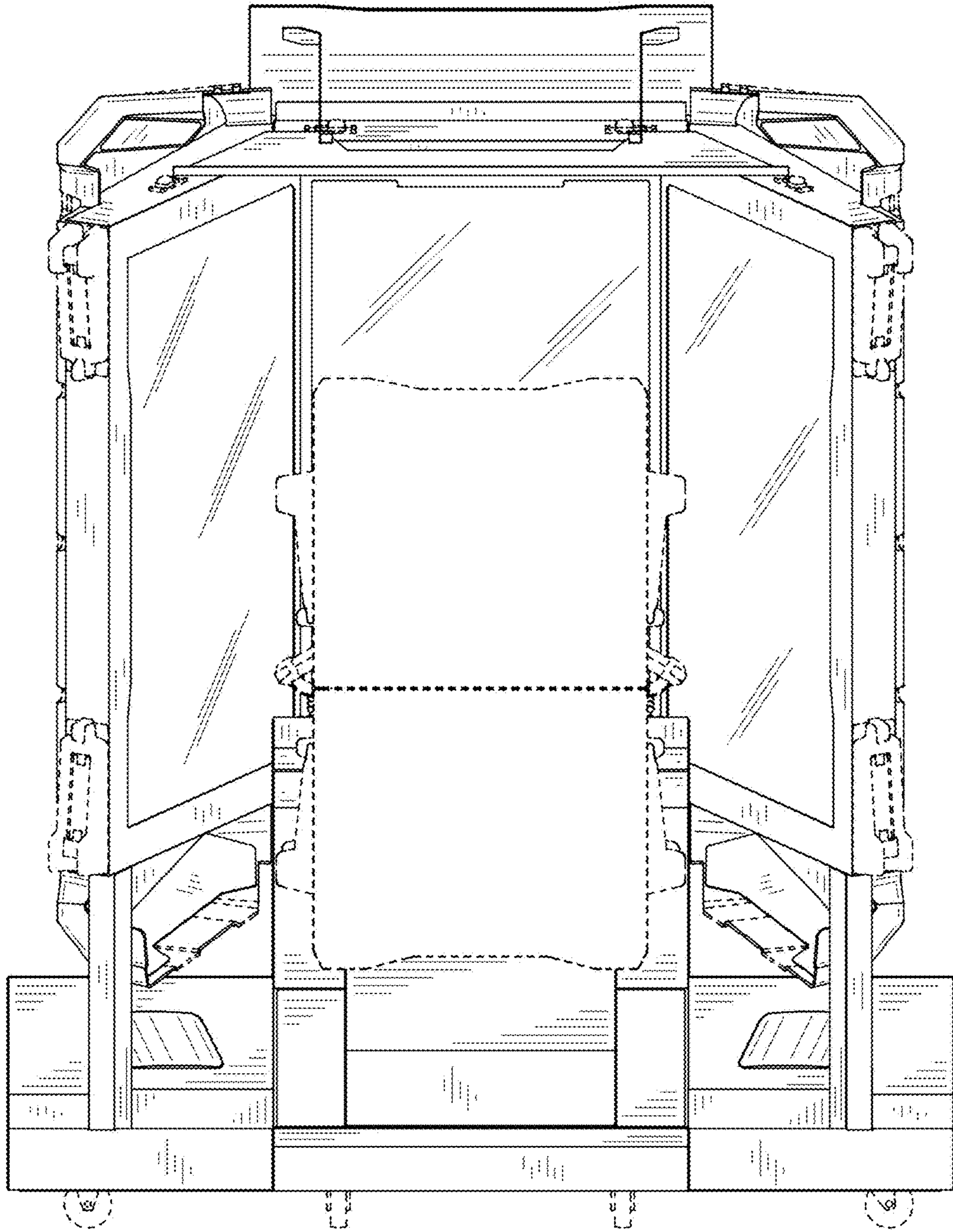
1.1



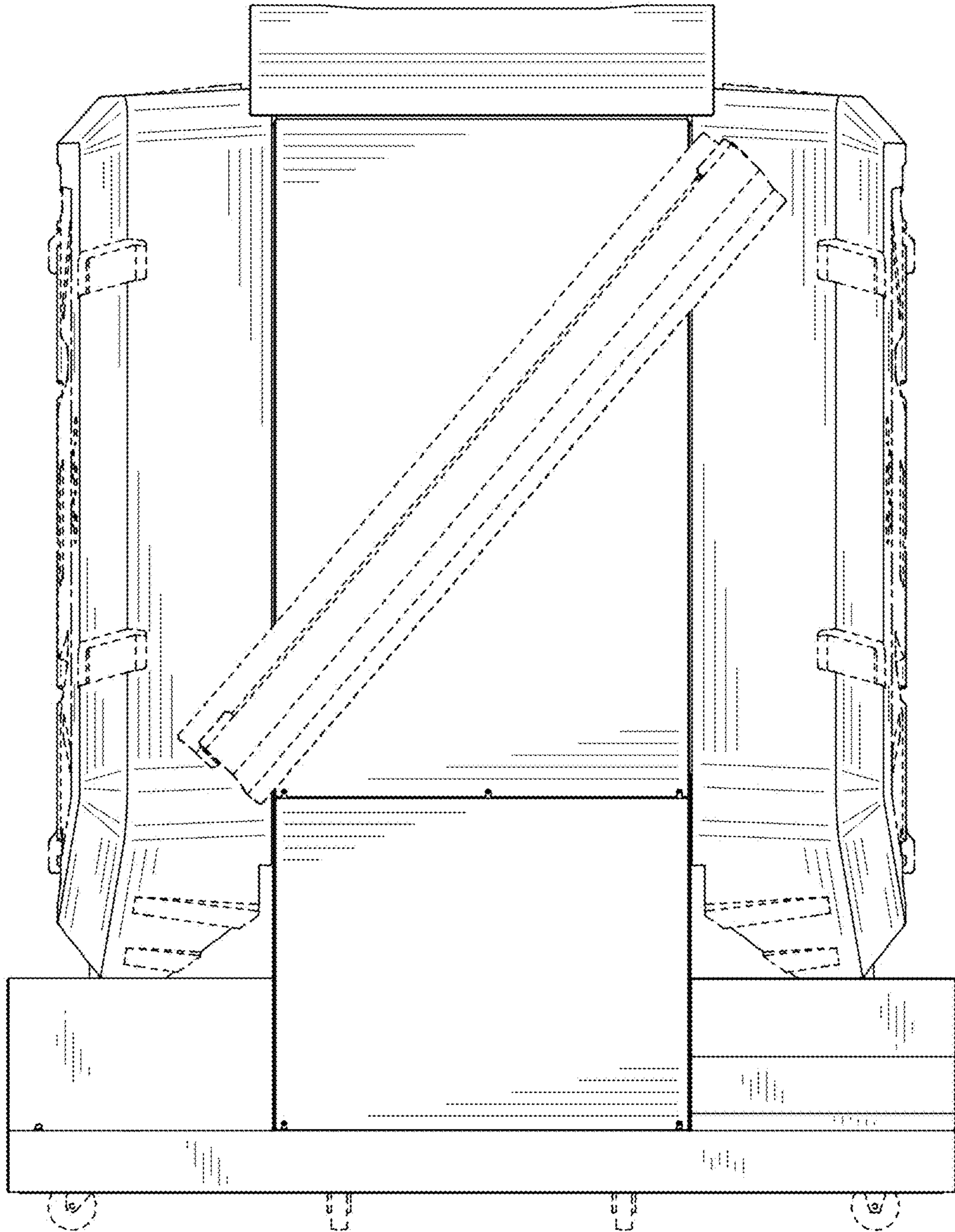
1.2



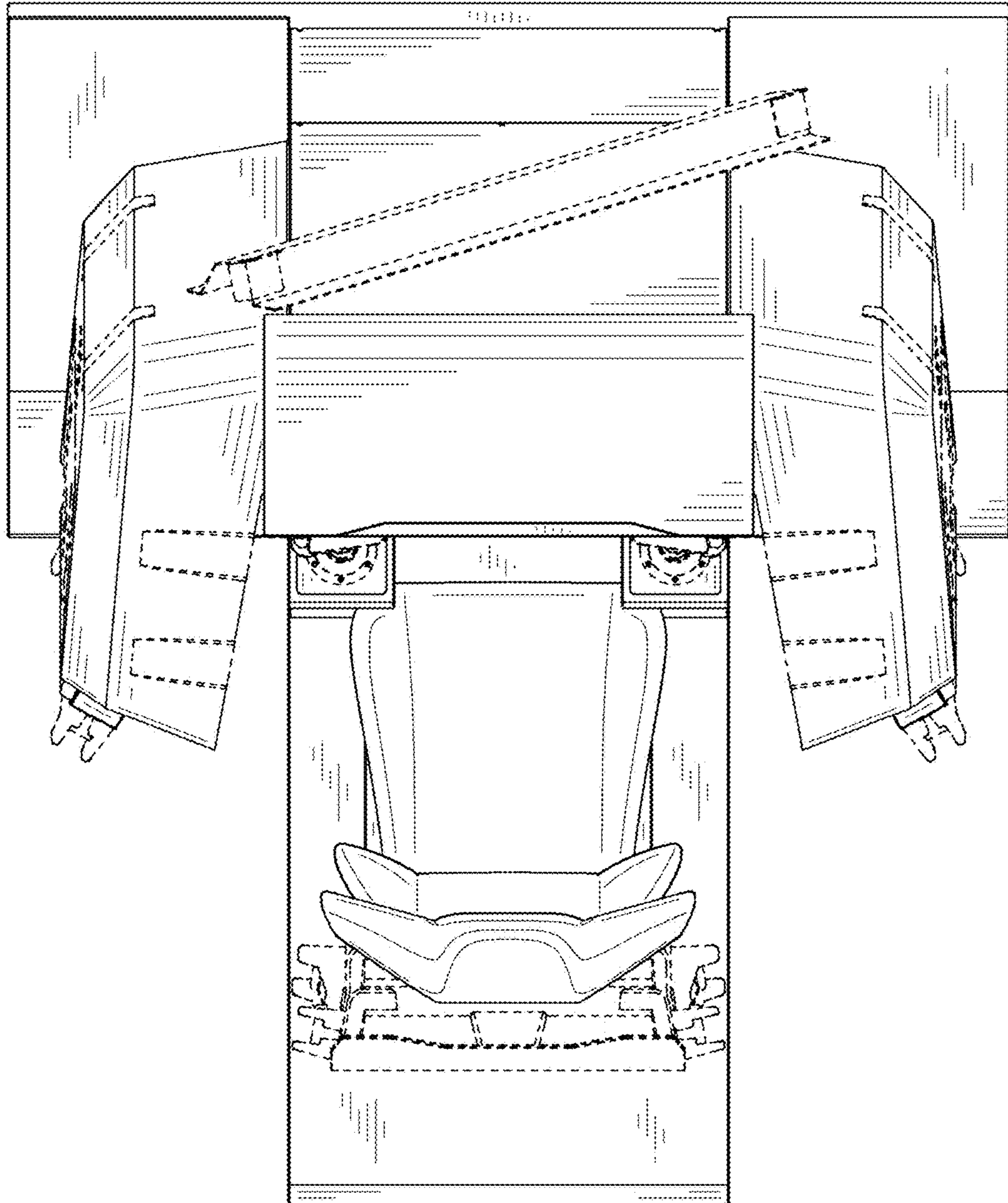
1.3



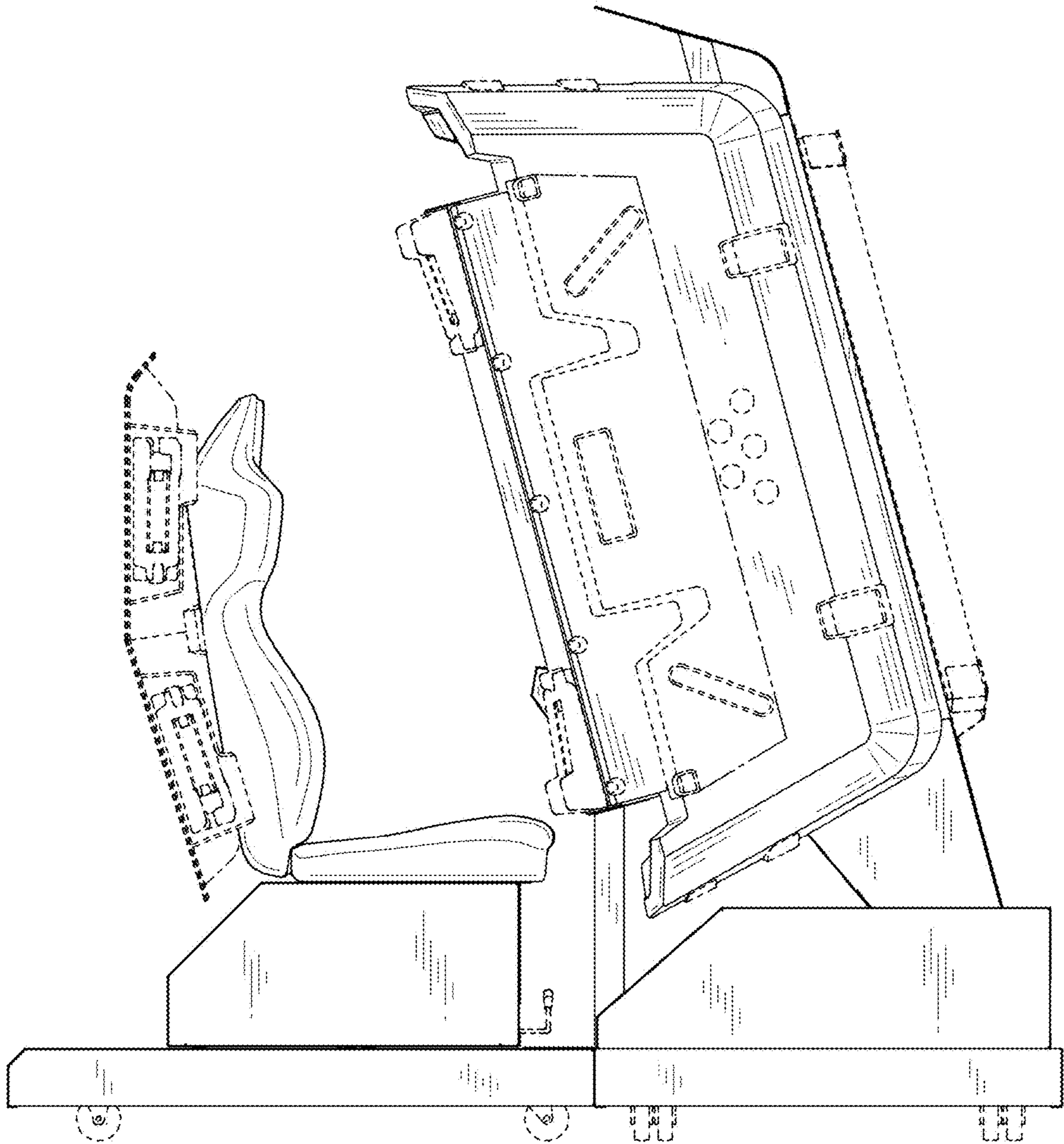
1.4



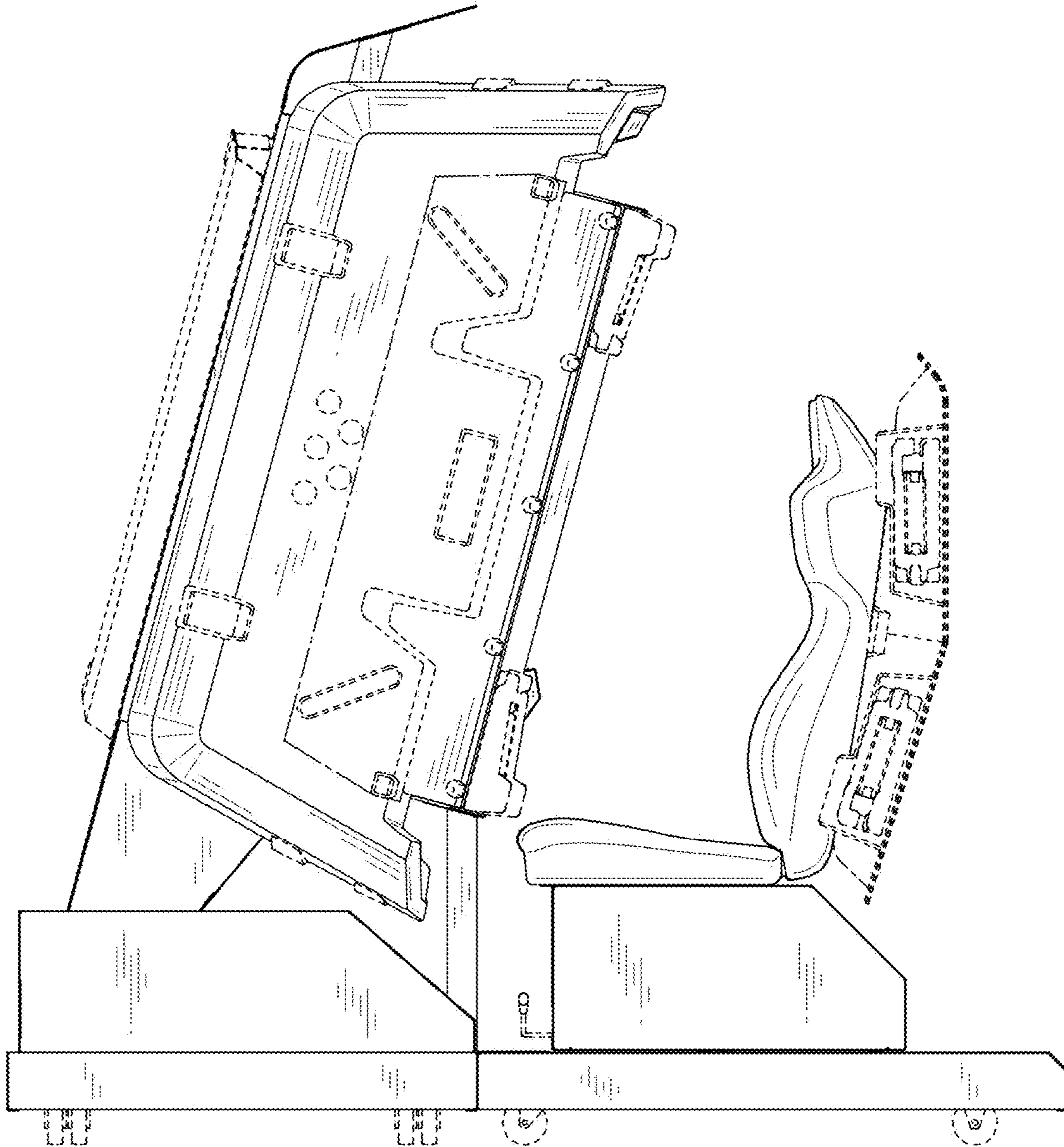
1.5



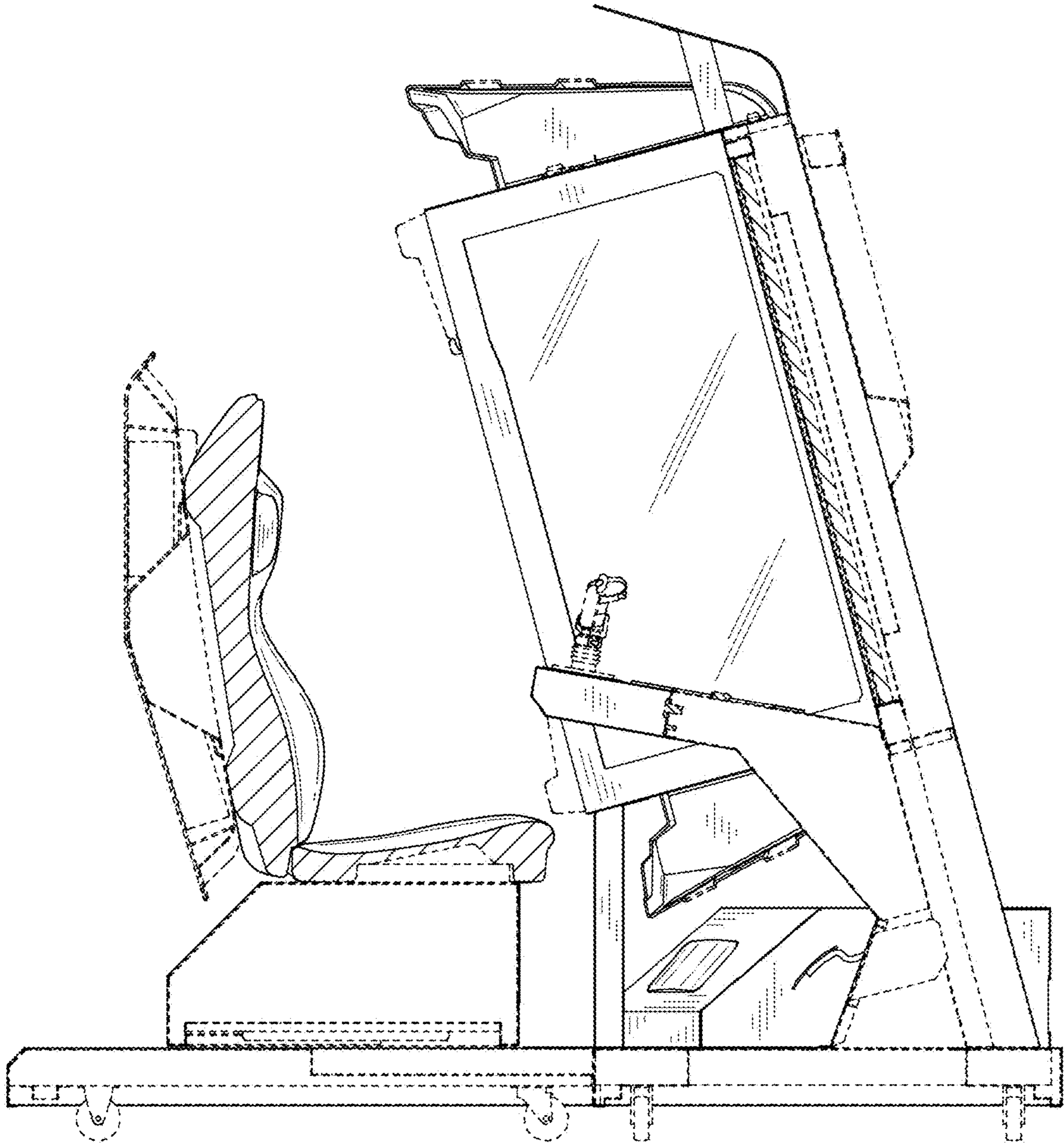
1.6



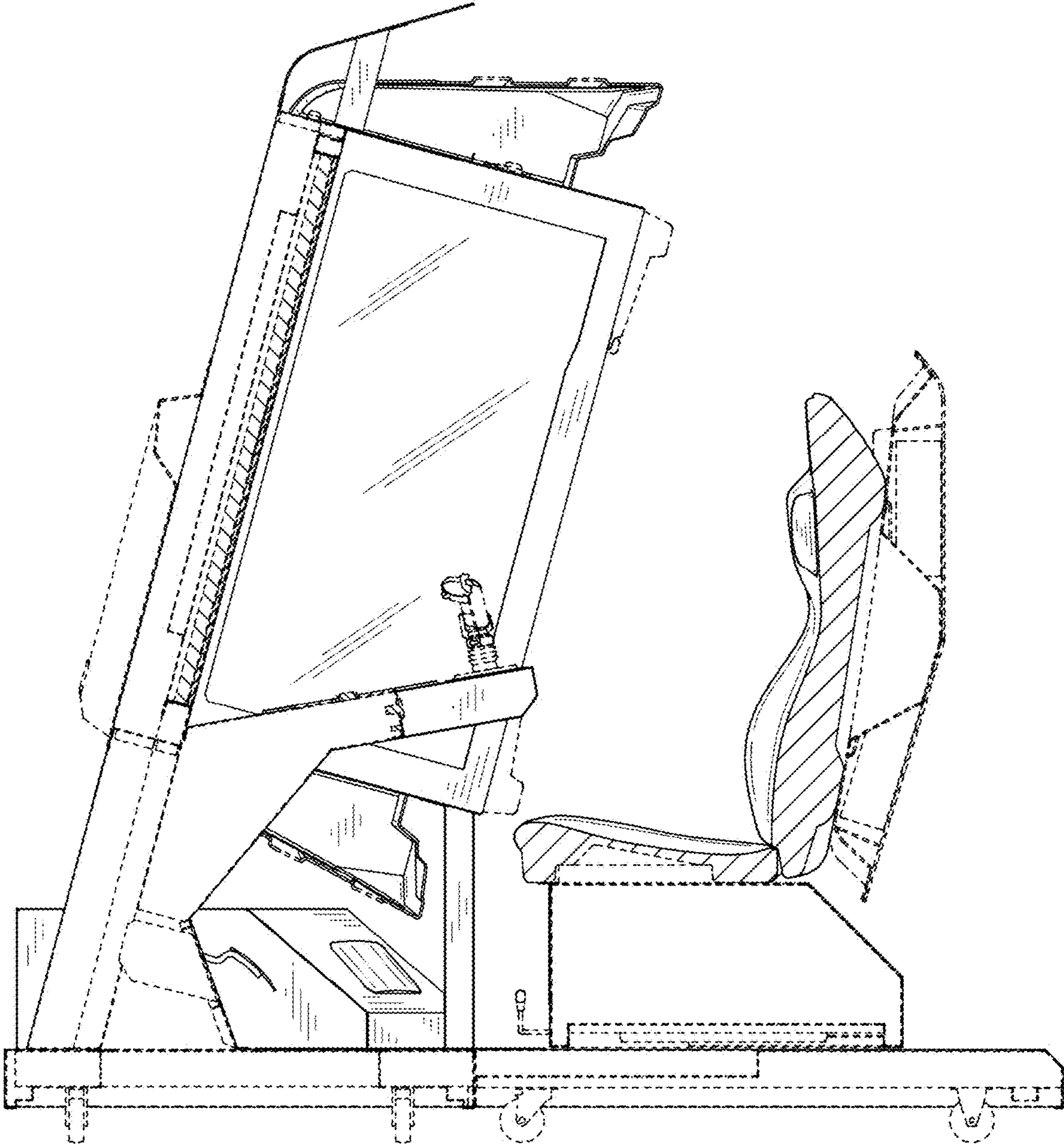
1.7



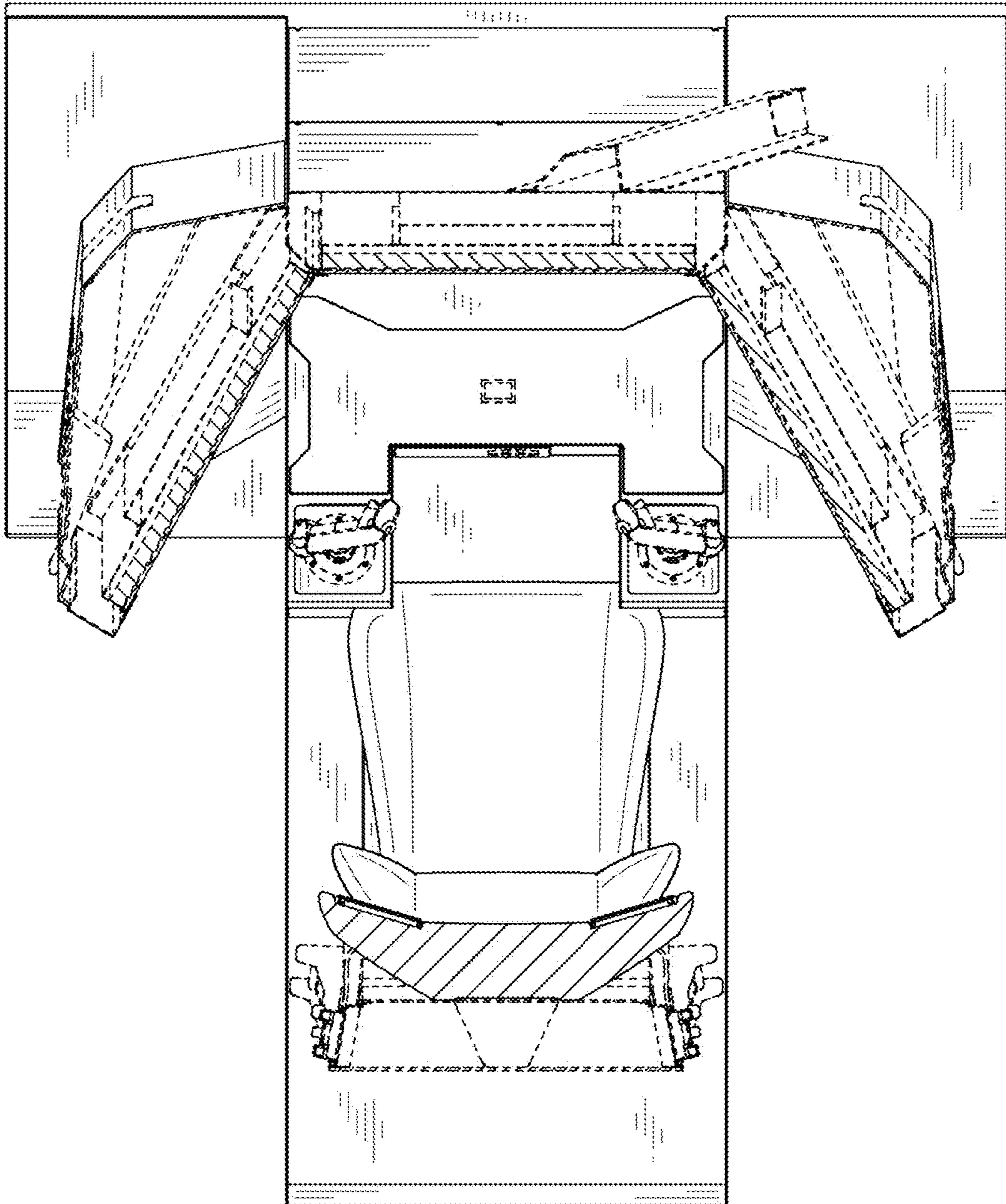
1.8



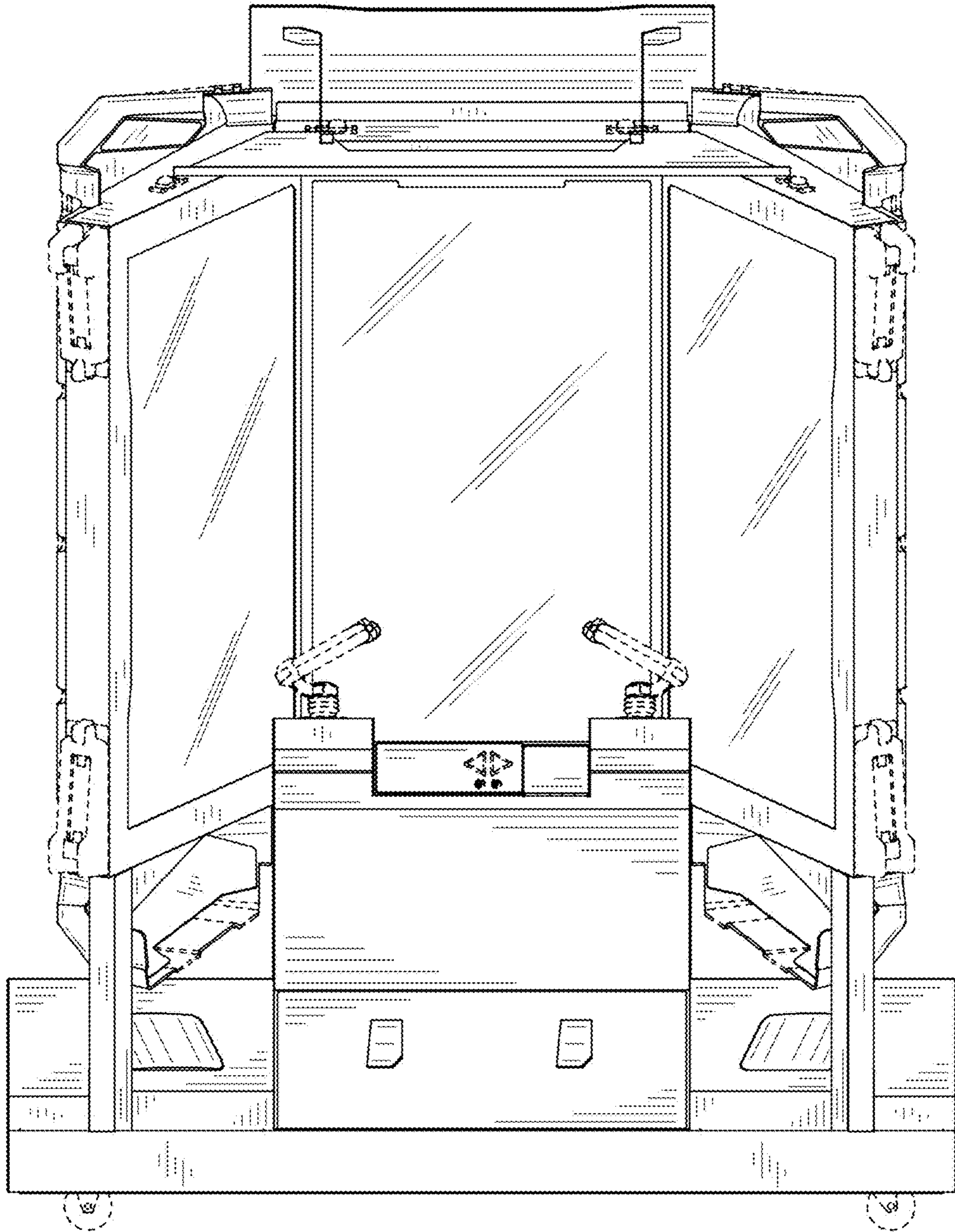
1.9



1.10



1.11



1.12

