



US00D959556S

(12) **United States Design Patent**
Travis, II

(10) **Patent No.:** **US D959,556 S**

(45) **Date of Patent:** **** Aug. 2, 2022**

(54) **BILLIARD STROKE TRAINING AID**

(71) Applicant: **Robert L. Travis, II**, Morgantown, PA
(US)

(72) Inventor: **Robert L. Travis, II**, Morgantown, PA
(US)

(**) Term: **15 Years**

(21) Appl. No.: **29/756,381**

(22) Filed: **Oct. 28, 2020**

(51) **LOC (13) Cl.** **21-01**

(52) **U.S. Cl.**
USPC **D21/316; D21/782**

(58) **Field of Classification Search**
USPC D21/316, 385, 386, 726, 782, 784;
D8/324, 325, 326, 327, 328; D2/639,
D2/535, 837, 853; 351/138; 211/68;
473/2, 42, 44, 48
CPC A63D 15/105; A63D 15/086; A63D 15/08;
A63D 15/00; A63D 15/10; A63D 15/006
See application file for complete search history.

(56) **References Cited**

U.S. PATENT DOCUMENTS

D32,769	S *	5/1900	Williams	D21/316
D151,201	S *	9/1948	Wescott	D21/316
4,053,153	A	10/1977	Josenhaus		
D263,191	S *	3/1982	Moore	D19/90
D279,300	S *	6/1985	Wolf	D21/408
D298,510	S *	11/1988	Marsh	D8/382
D312,290	S *	11/1990	Rodriguez	D21/726
5,501,468	A *	3/1996	Browne	A63B 67/06 473/588
5,628,691	A *	5/1997	Shaner	A63D 15/086 473/48
5,643,095	A *	7/1997	Probst	A63D 15/08 473/44
D391,326	S *	2/1998	Golz	D21/726

D391,614	S *	3/1998	Meredith	D21/792
D397,375	S *	8/1998	Fletcher	D21/386
5,846,137	A	12/1998	Tremblay		
D404,996	S *	2/1999	Ross	D8/382
D406,051	S *	2/1999	Ross	D8/395
6,267,685	B1	7/2001	Cannon		
D448,280	S *	9/2001	Bourgerie	D8/382
D453,364	S *	2/2002	Brothers	D21/726
7,125,294	B2 *	10/2006	Bruno	H05K 3/303 439/876
D534,610	S	1/2007	Weinstein		
7,429,217	B1	9/2008	Lawrence		
D615,847	S *	5/2010	Tezak	D8/349

(Continued)

Primary Examiner — Mehri F Bajoul

(74) *Attorney, Agent, or Firm* — Cramer Patent & Design,
PLLC; Aaron R. Cramer

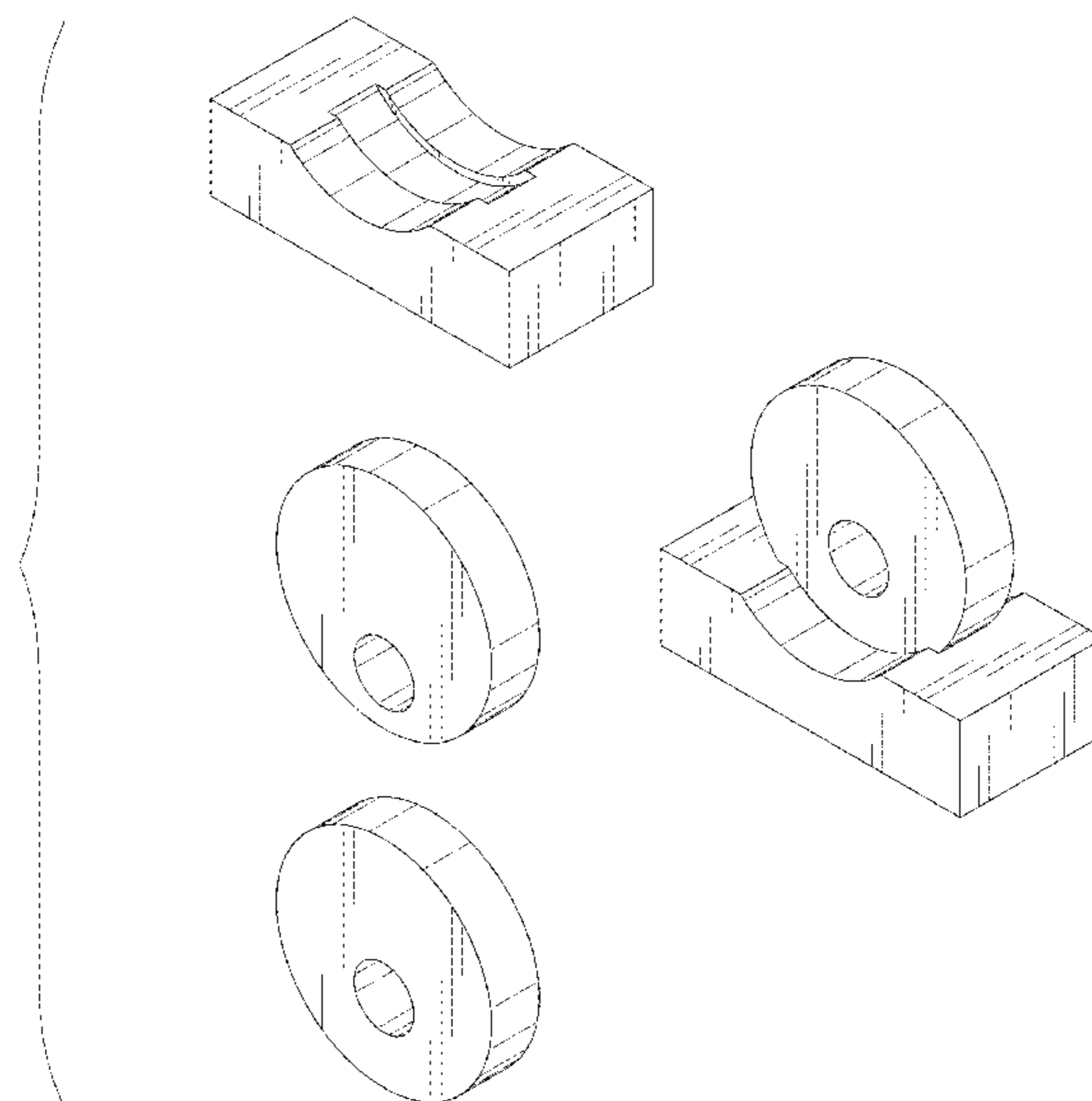
(57) **CLAIM**

The ornamental design for a billiard stroke training aid, as shown and described.

DESCRIPTION

FIG. 1 is a top front right perspective view of a billiard stroke training device in an exploded state, showing the stand, first and second holder components;
FIG. 2 is a top rear left perspective view thereof;
FIG. 3 is a front elevation view thereof;
FIG. 4 is a rear elevation view thereof;
FIG. 5 is a right elevation view thereof;
FIG. 6 is a left elevation view thereof; and,
FIG. 7 is a top plan view thereof.
FIG. 8 is a bottom plan view thereof;
FIG. 9 is a top front right perspective view of the billiard stroke training device with the base and the first holder component, shown separately for ease of illustration; and,
FIG. 10 is a top front right perspective view of the billiard stroke training device with the base and the second holder component, shown separately for ease of illustration.

1 Claim, 9 Drawing Sheets



(56)

References Cited

U.S. PATENT DOCUMENTS

D627,412	S	11/2010	Bruce	
8,870,669	B1	10/2014	Griffin et al.	
9,539,492	B1	1/2017	Eager	
D800,858	S	10/2017	D'Ambrosio	
D863,428	S *	10/2019	Suess	D19/81
2006/0189397	A1	8/2006	Tucker	
2007/0219005	A1 *	9/2007	Jones	A63D 15/105 473/2
2009/0111594	A1 *	4/2009	Spence	A63D 15/006 473/2
2009/0186715	A1 *	7/2009	Bush	A63D 15/10 473/42

* cited by examiner

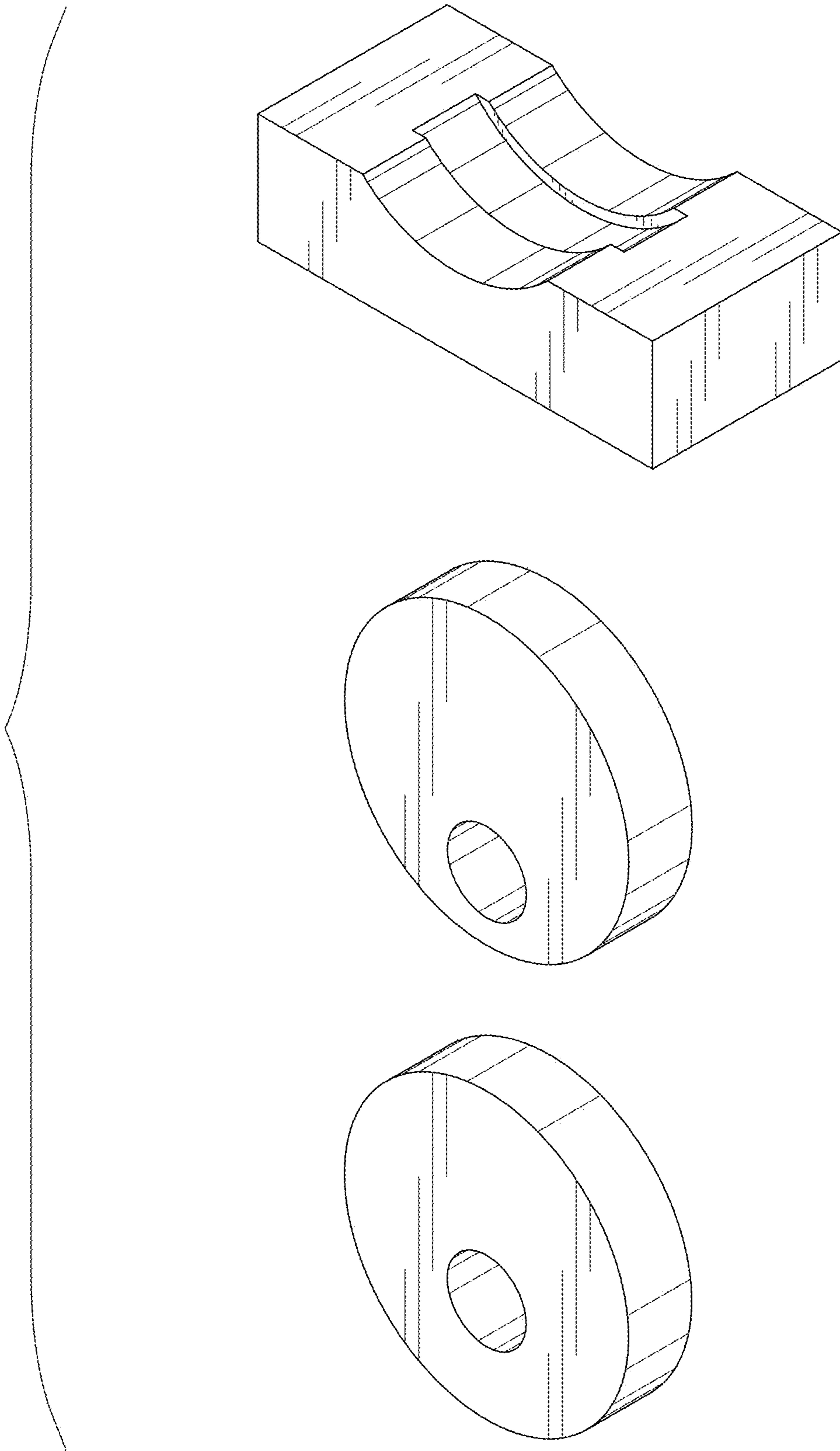


FIG. 1

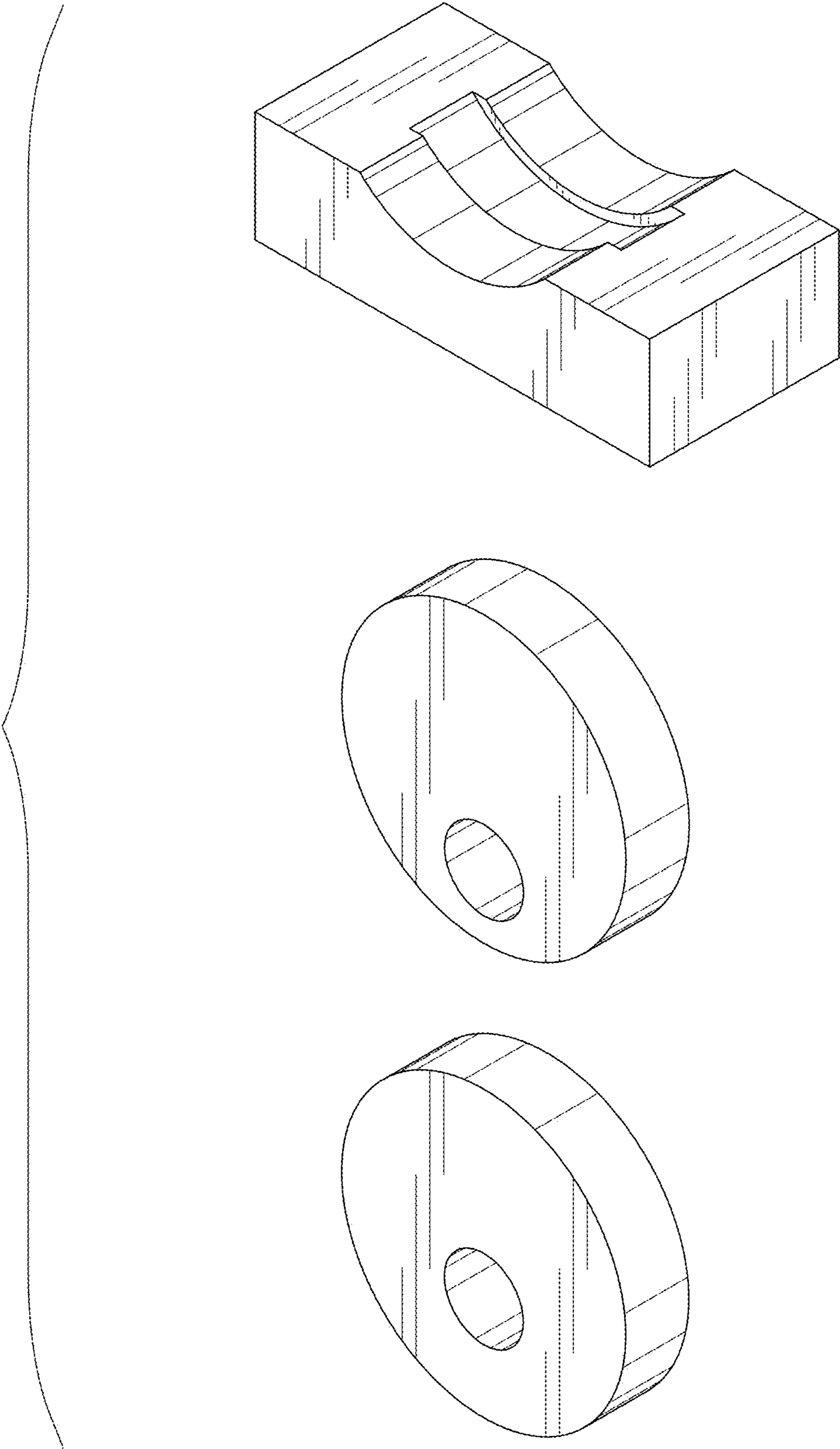


FIG. 2

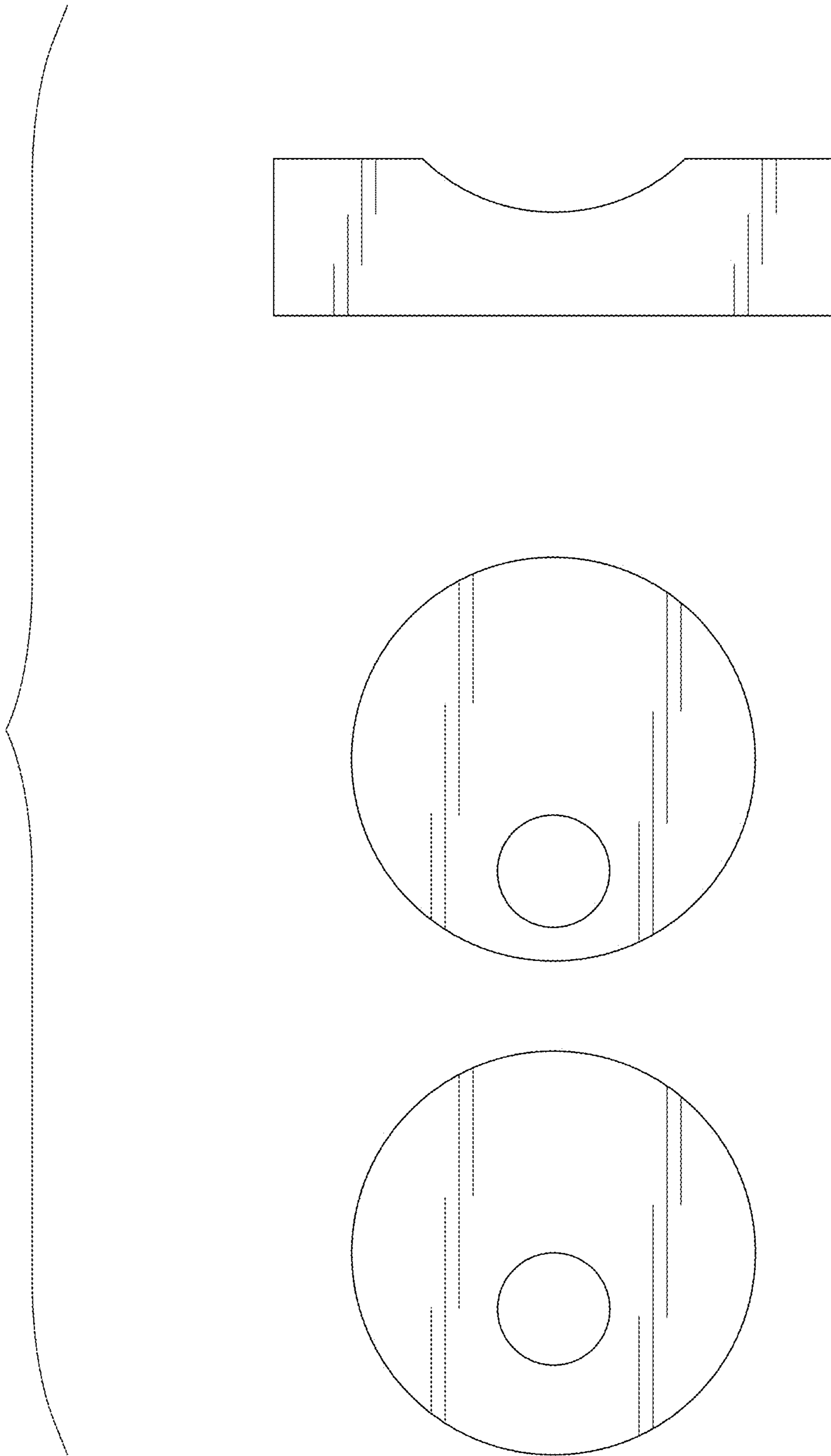


FIG. 3

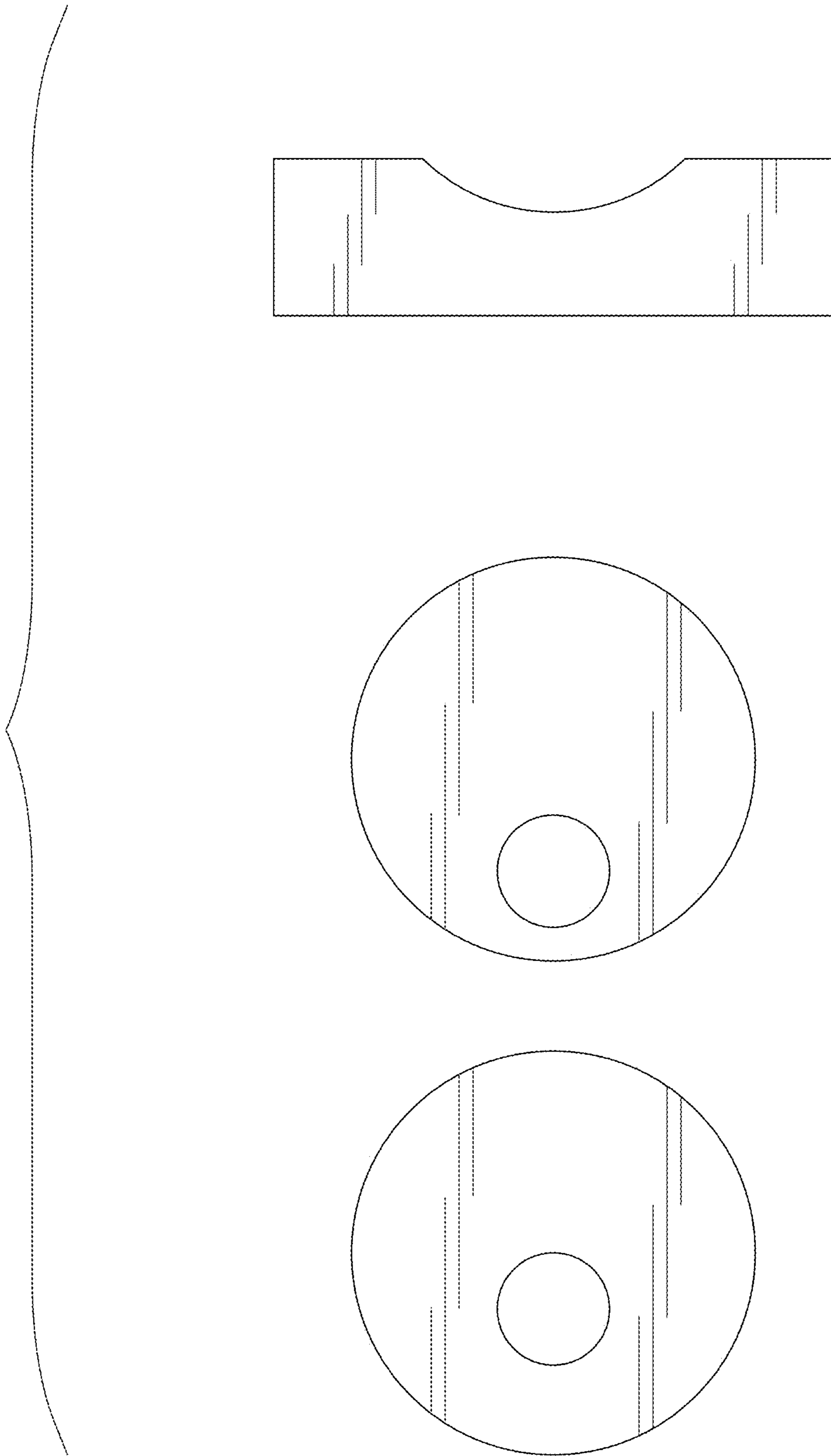


FIG. 4

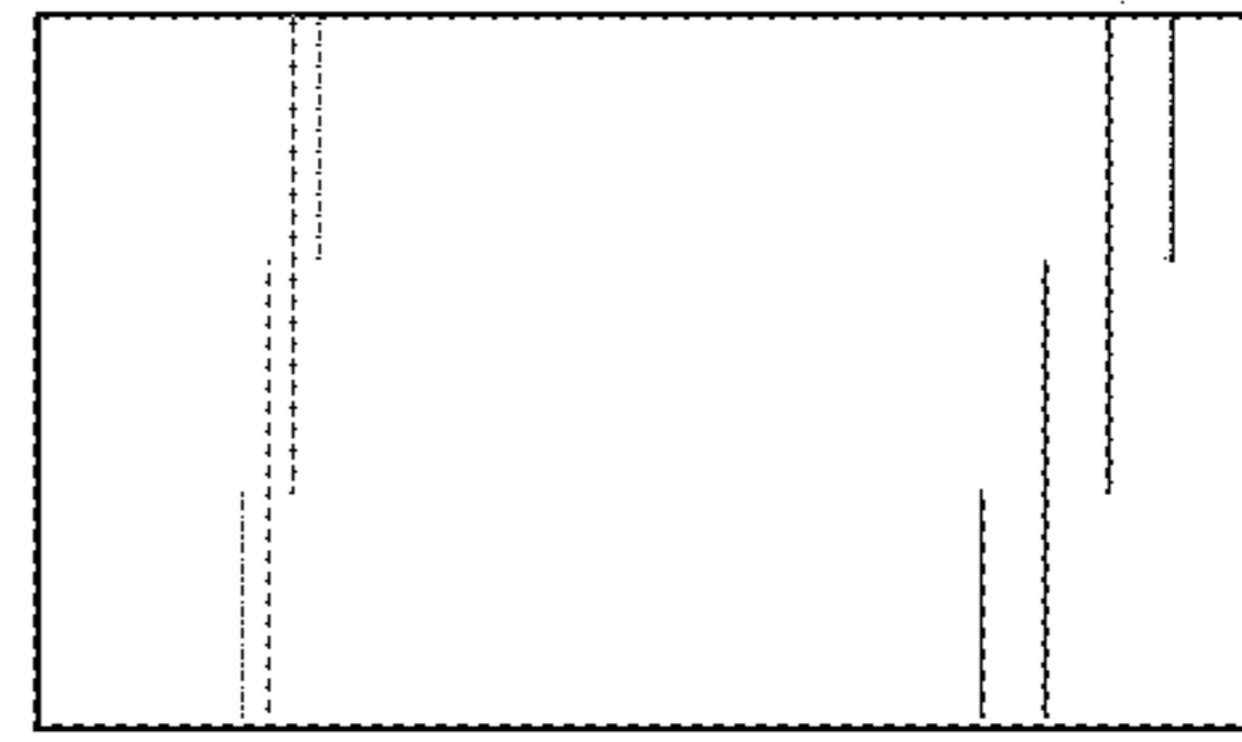


FIG. 5

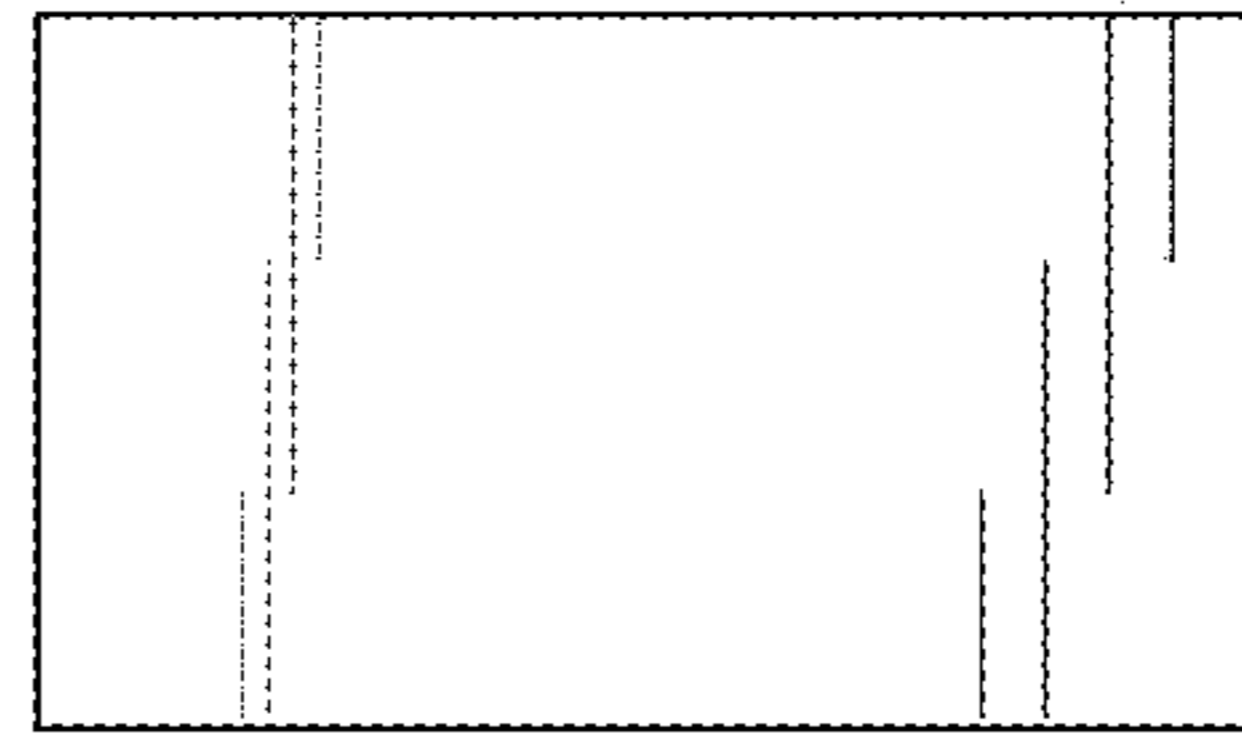


FIG. 6

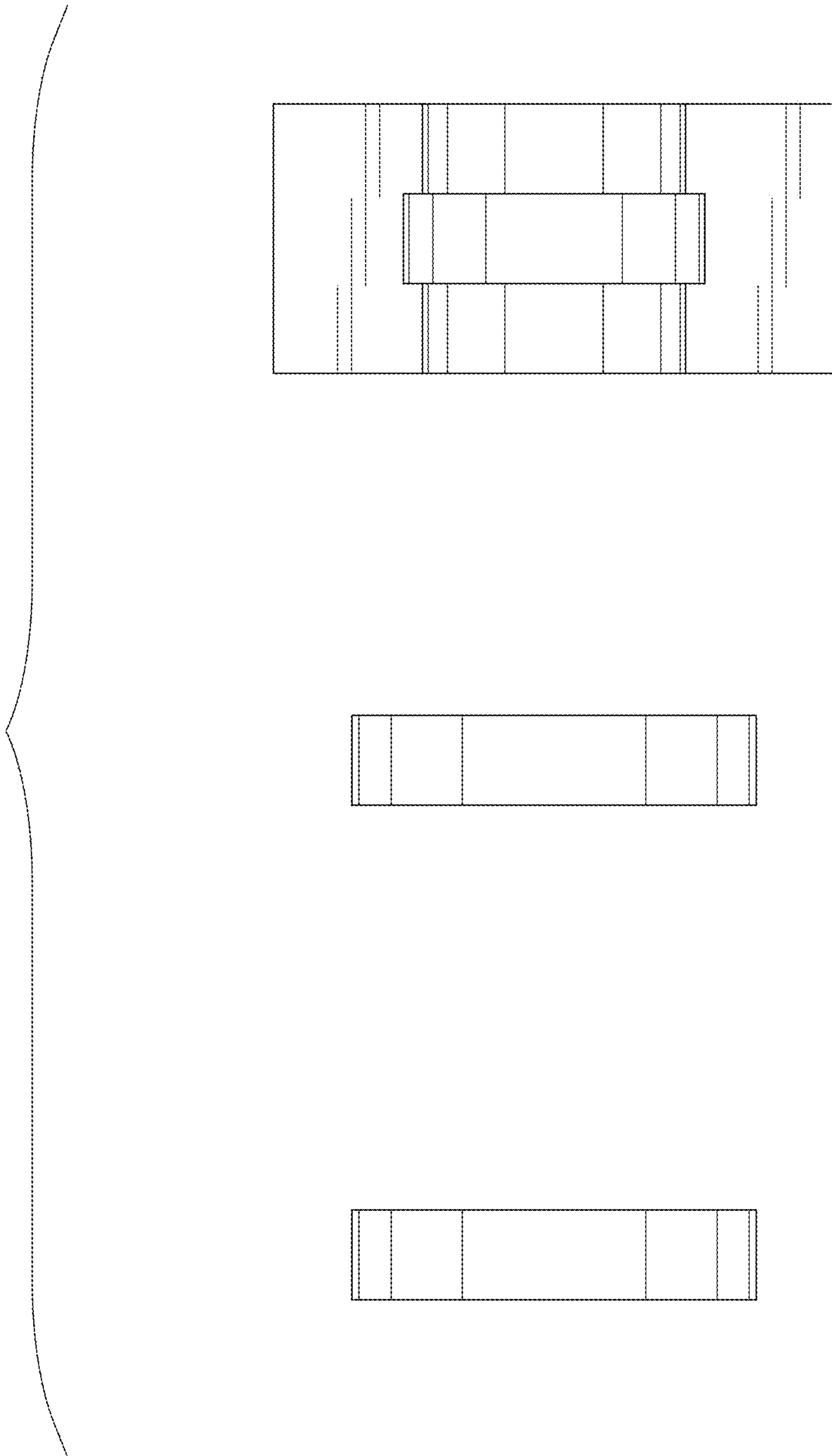


FIG. 7

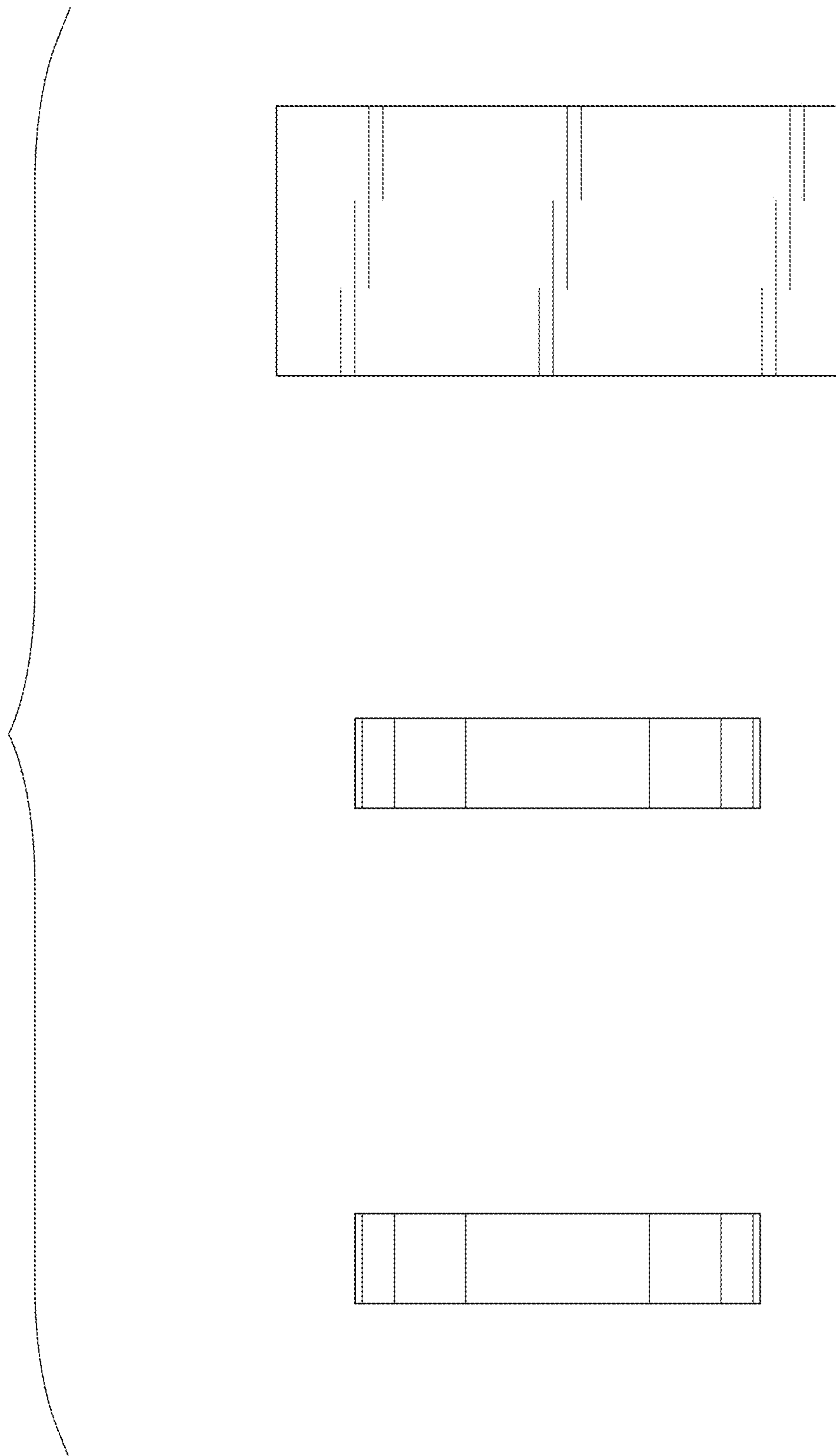


FIG. 8

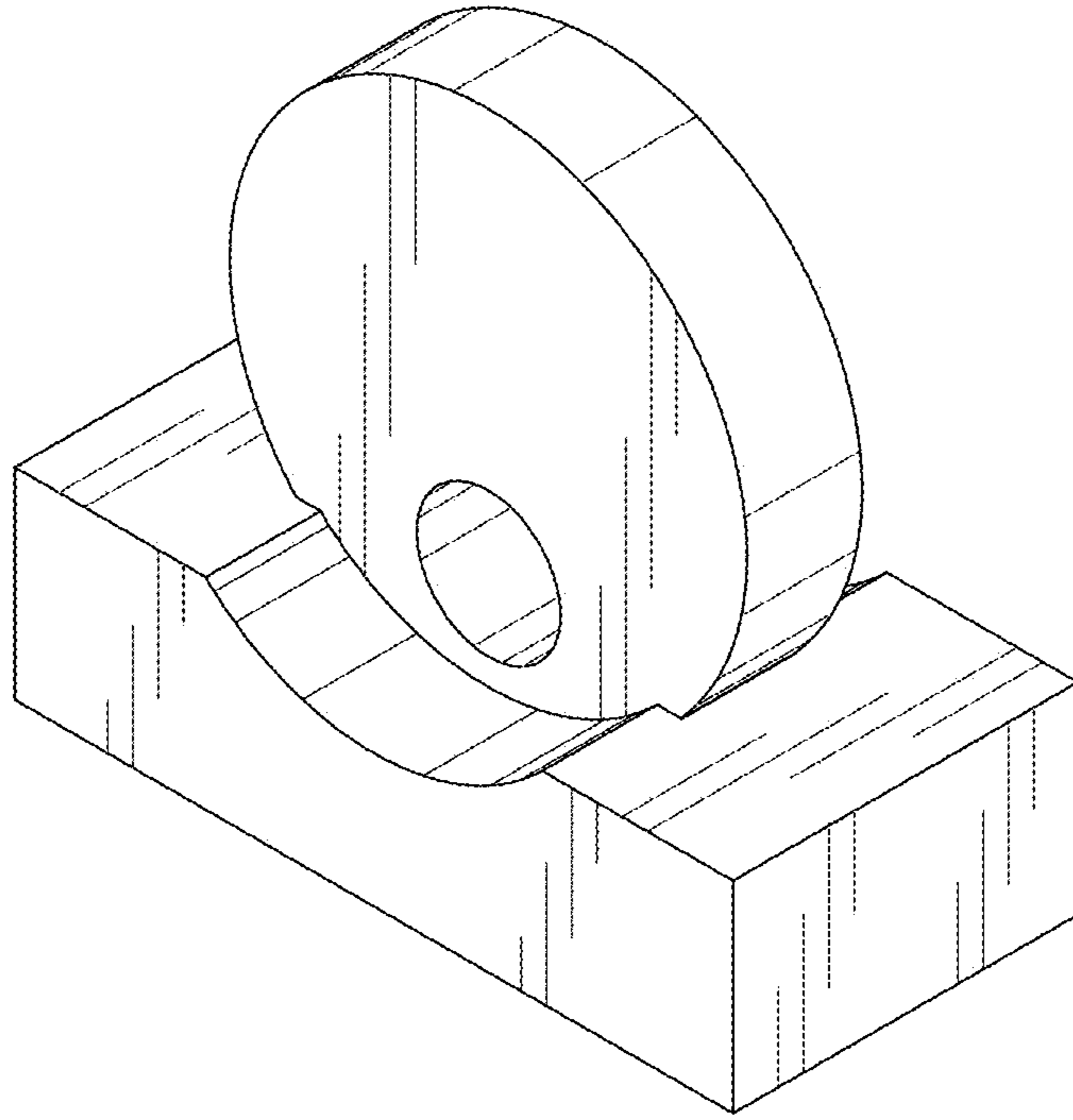


FIG. 9

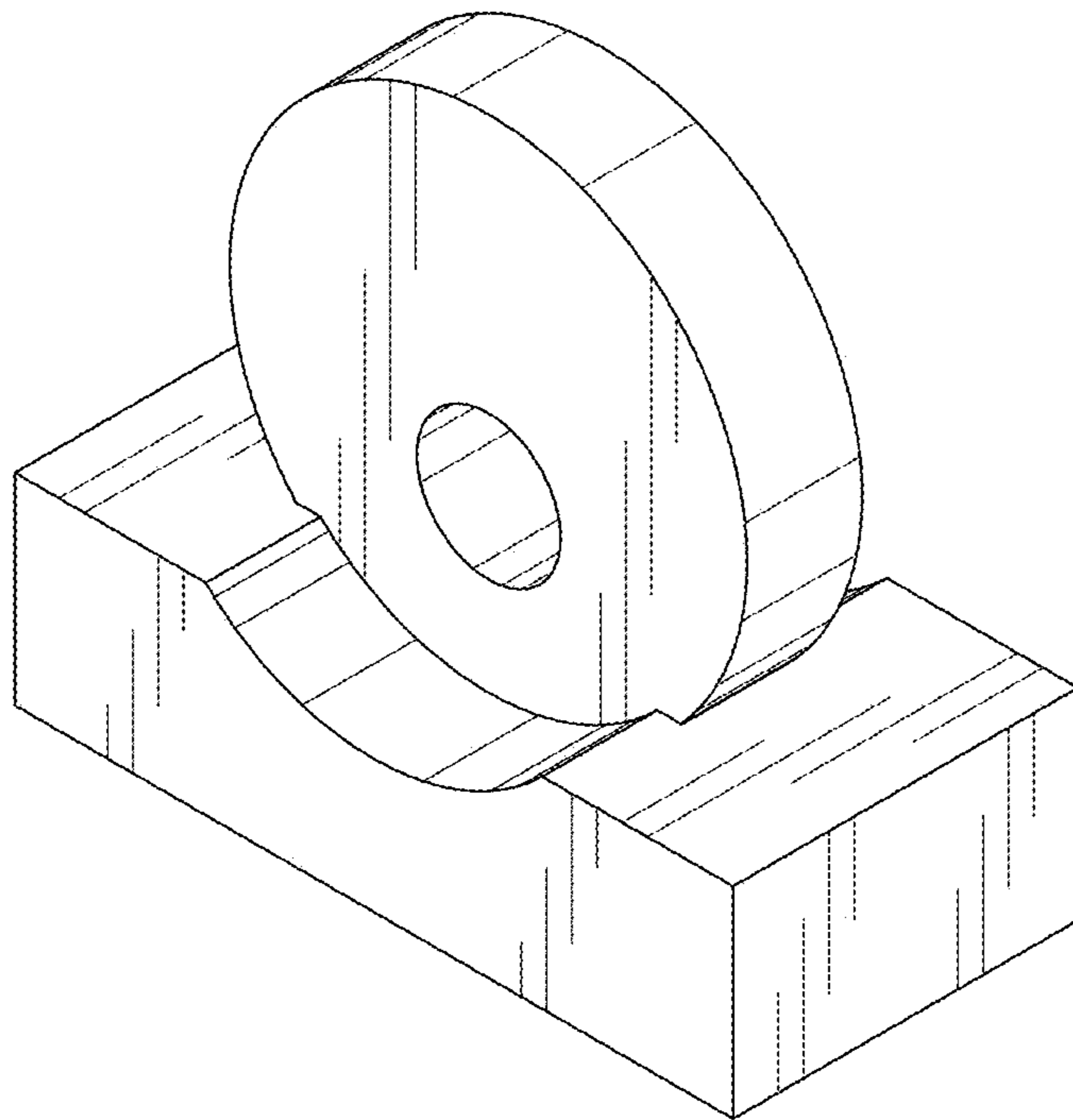


FIG. 10