



US00D959555S

(12) **United States Design Patent**
Wen

(10) **Patent No.:** **US D959,555 S**

(45) **Date of Patent:** **** Aug. 2, 2022**

(54) **INFLATABLE TOY**

(71) Applicant: **Yajie Wen**, Shenzhen (CN)

(72) Inventor: **Yajie Wen**, Shenzhen (CN)

(**) Term: **15 Years**

(21) Appl. No.: **29/828,239**

(22) Filed: **Feb. 25, 2022**

(51) **LOC (13) Cl.** **21-02**

(52) **U.S. Cl.**

USPC **D21/304**; D21/808

(58) **Field of Classification Search**

USPC D21/304, 801, 808

CPC A63F 3/00094; A63F 3/00574

See application file for complete search history.

(56) **References Cited**

U.S. PATENT DOCUMENTS

3,556,526 A * 1/1971 Currie A63F 3/00094
273/282.3

D341,382 S * 11/1993 Deming D21/304

D370,032 S * 5/1996 Bidwell D21/304

D798,620 S 10/2017 Liu

D858,674 S 9/2019 Shu

D866,697 S * 11/2019 Zhu D21/808

D909,526 S * 2/2021 Engler D21/808

D950,667 S * 5/2022 Huang D21/615

* cited by examiner

Primary Examiner — Zenia I Bennett

(57) **CLAIM**

The ornamental design for an inflatable toy, as shown and described.

DESCRIPTION

FIG. 1 is a perspective view of an inflatable toy showing my new design;

FIG. 2 is another perspective view thereof;

FIG. 3 is a front elevational view thereof;

FIG. 4 is a rear elevational view thereof;

FIG. 5 is a left side elevational view thereof;

FIG. 6 is a right side elevational view thereof;

FIG. 7 is a top plan view thereof;

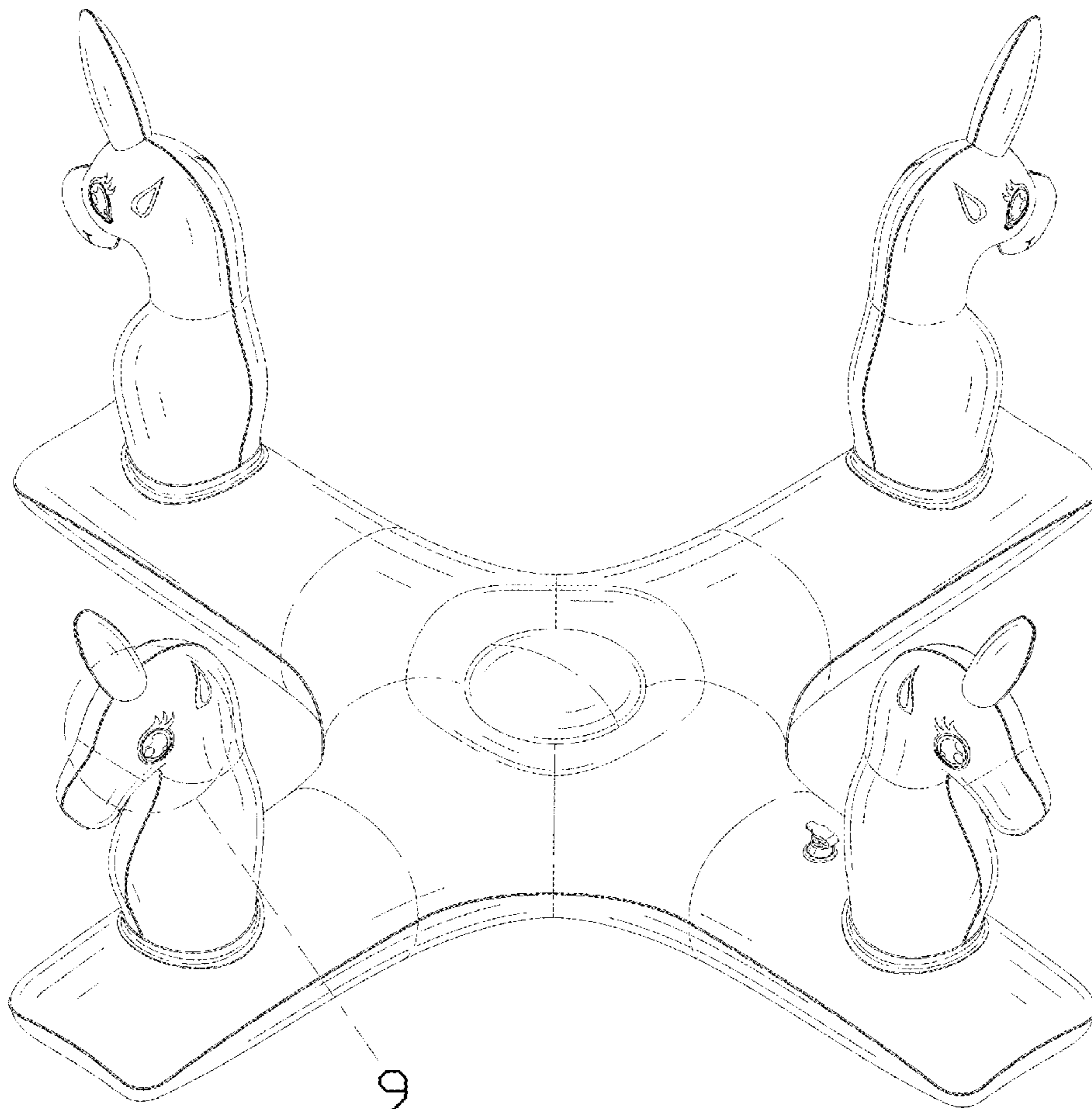
FIG. 8 is a bottom plan view thereof; and

FIG. 9 is an enlarged view of portion 9 shown in FIG. 1; and,

FIG. 10 is an enlarged view of portion 10 shown in FIG. 2.

The dot-dash broken lines represent boundaries of the enlarged portions and form no part of the claimed design.

1 Claim, 10 Drawing Sheets



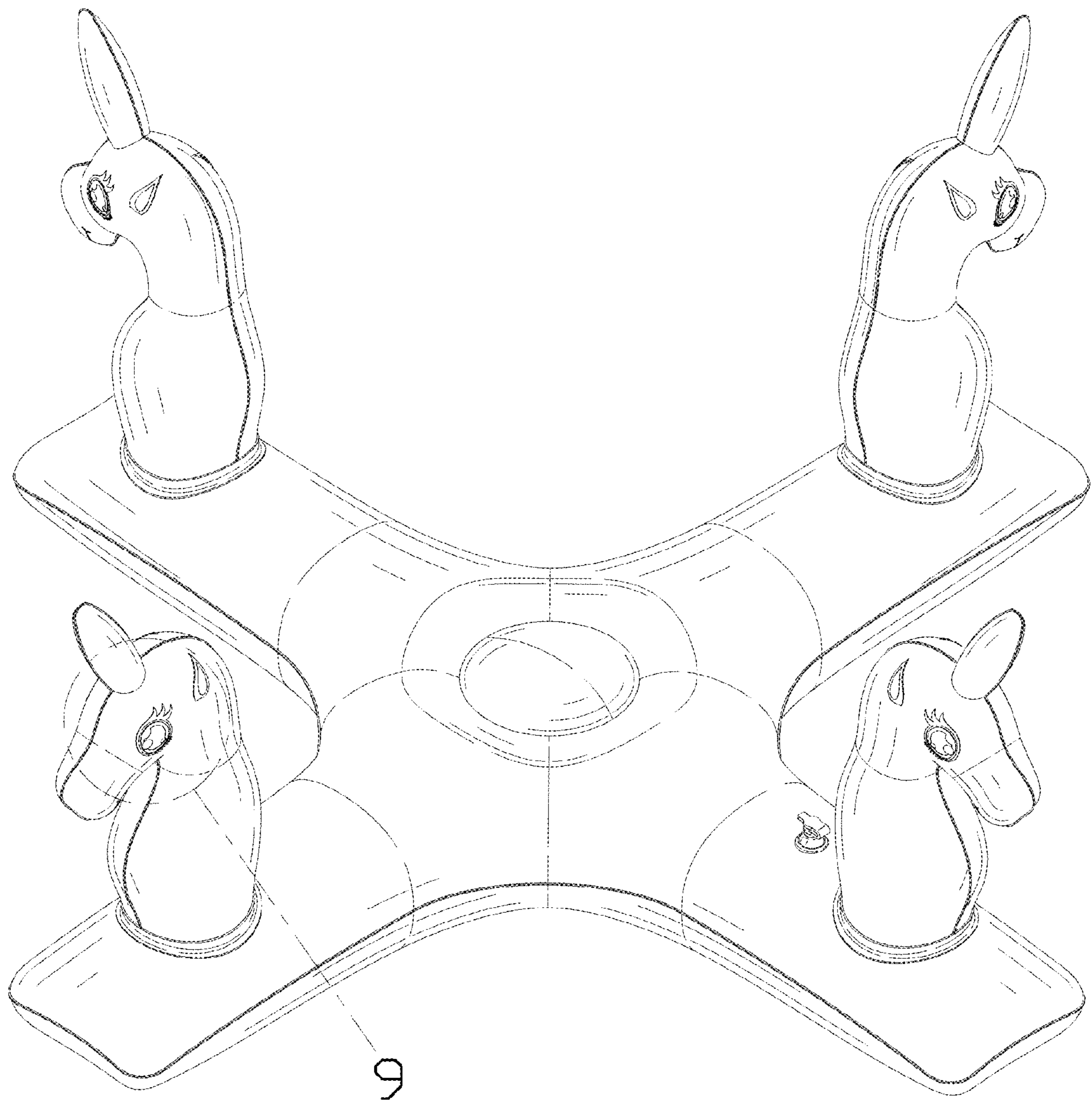


FIG. 1

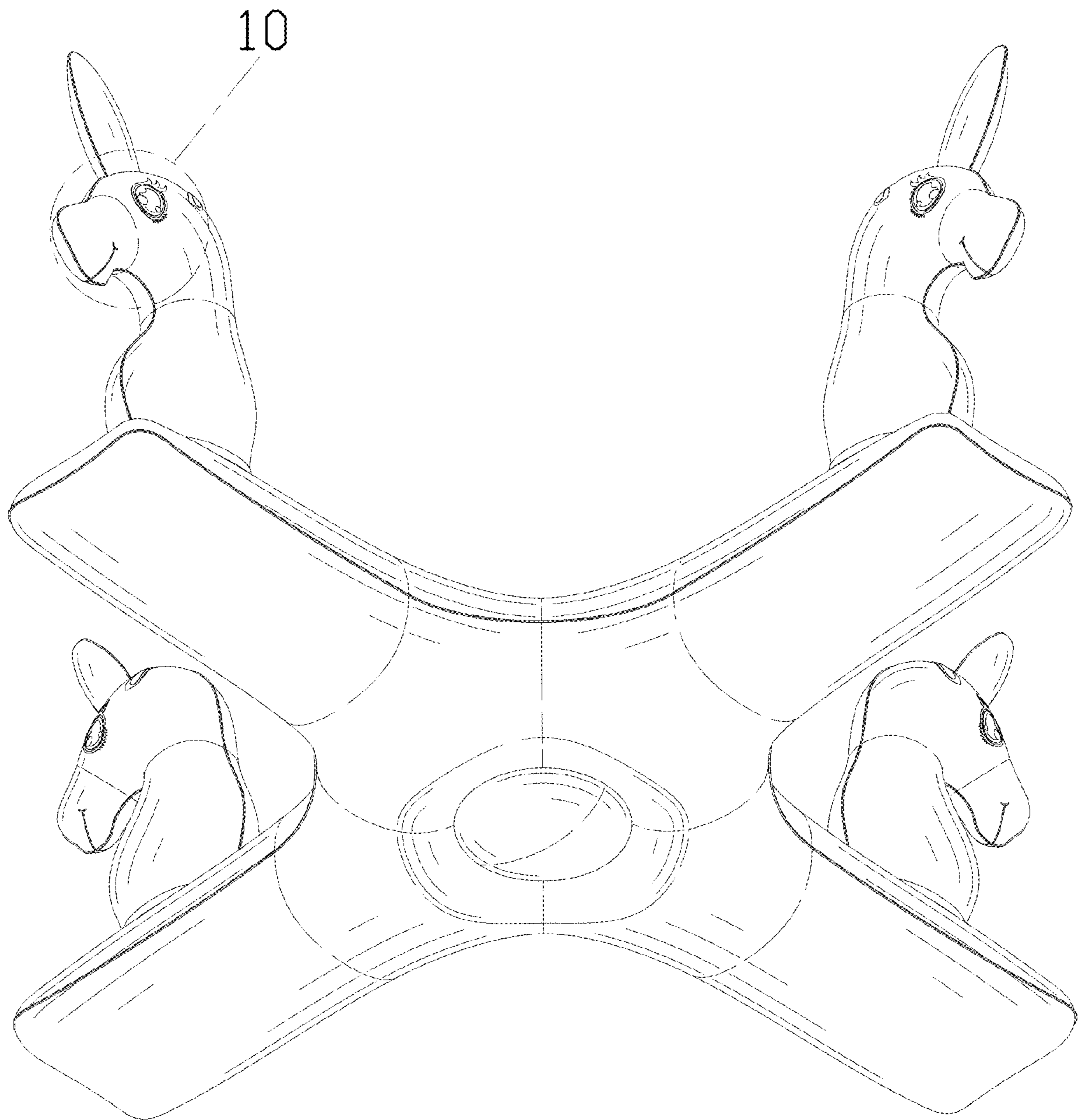


FIG. 2

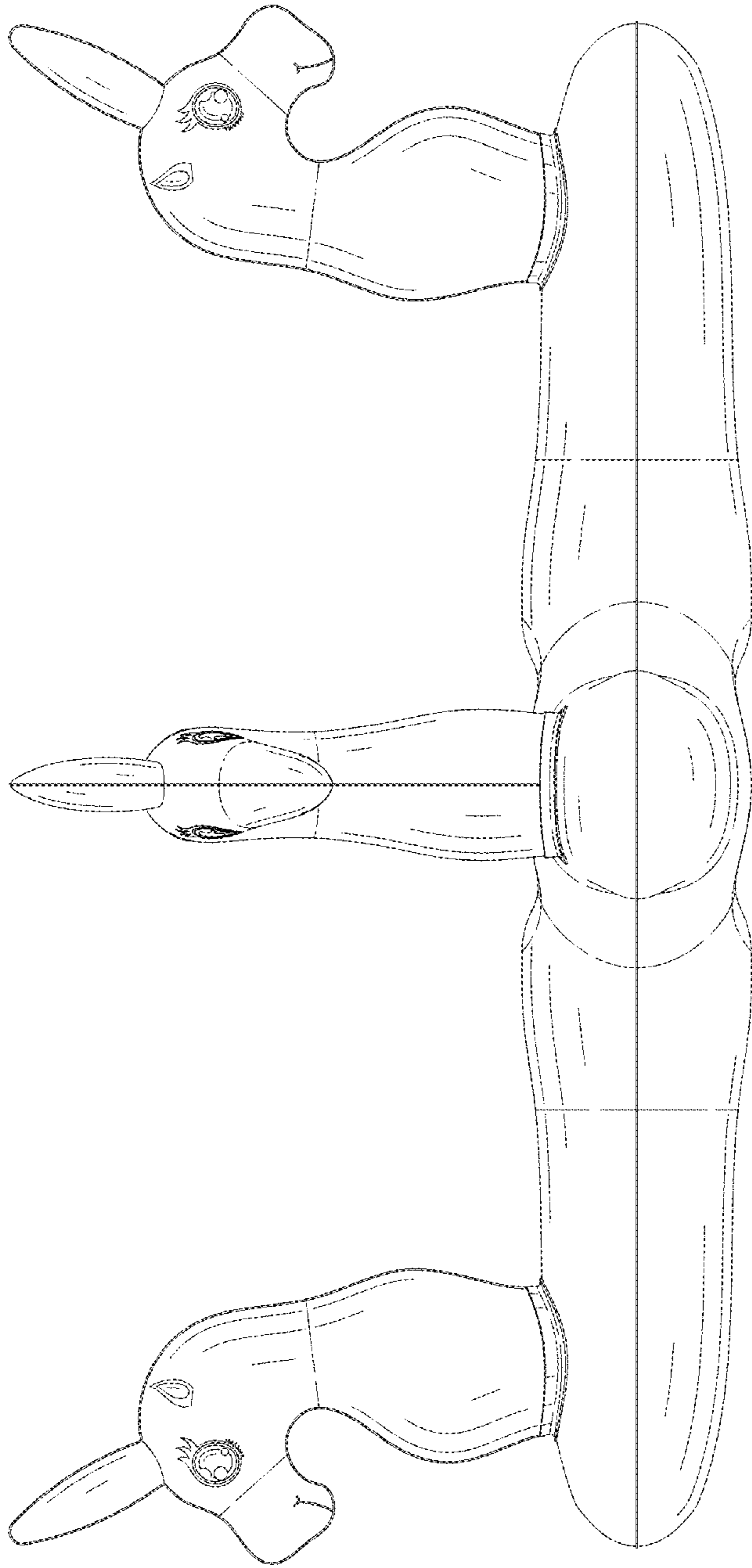


FIG. 3

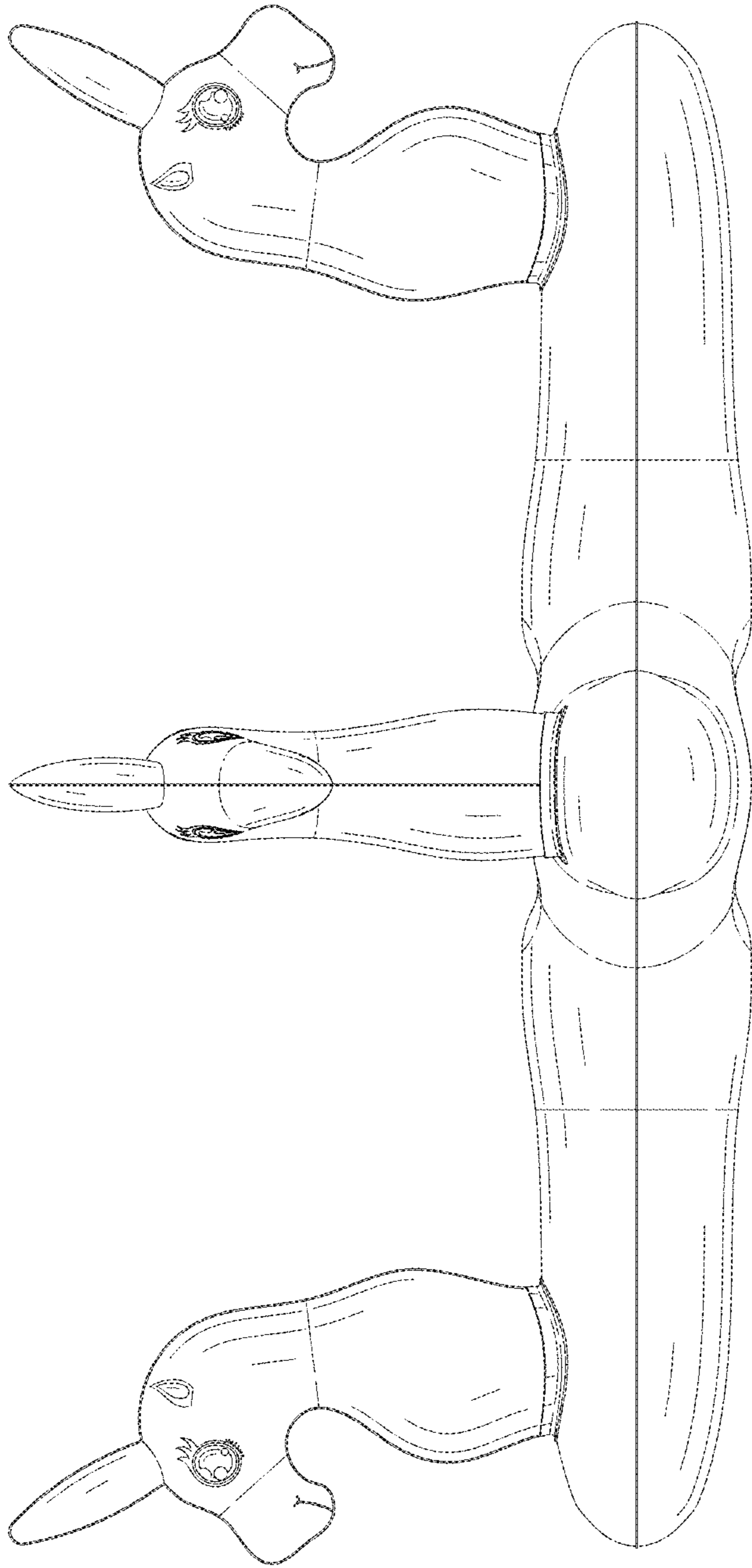


FIG. 4

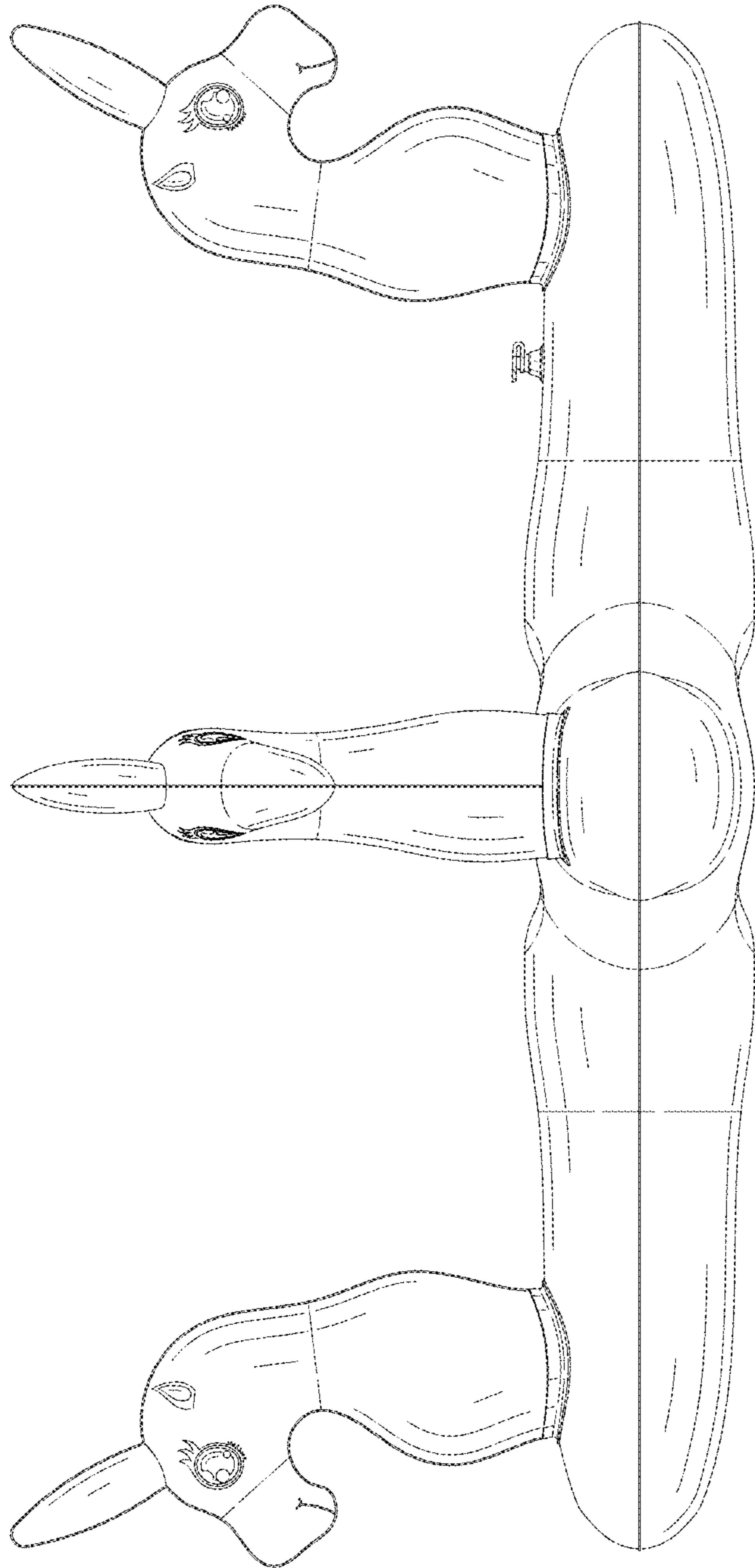


FIG. 5

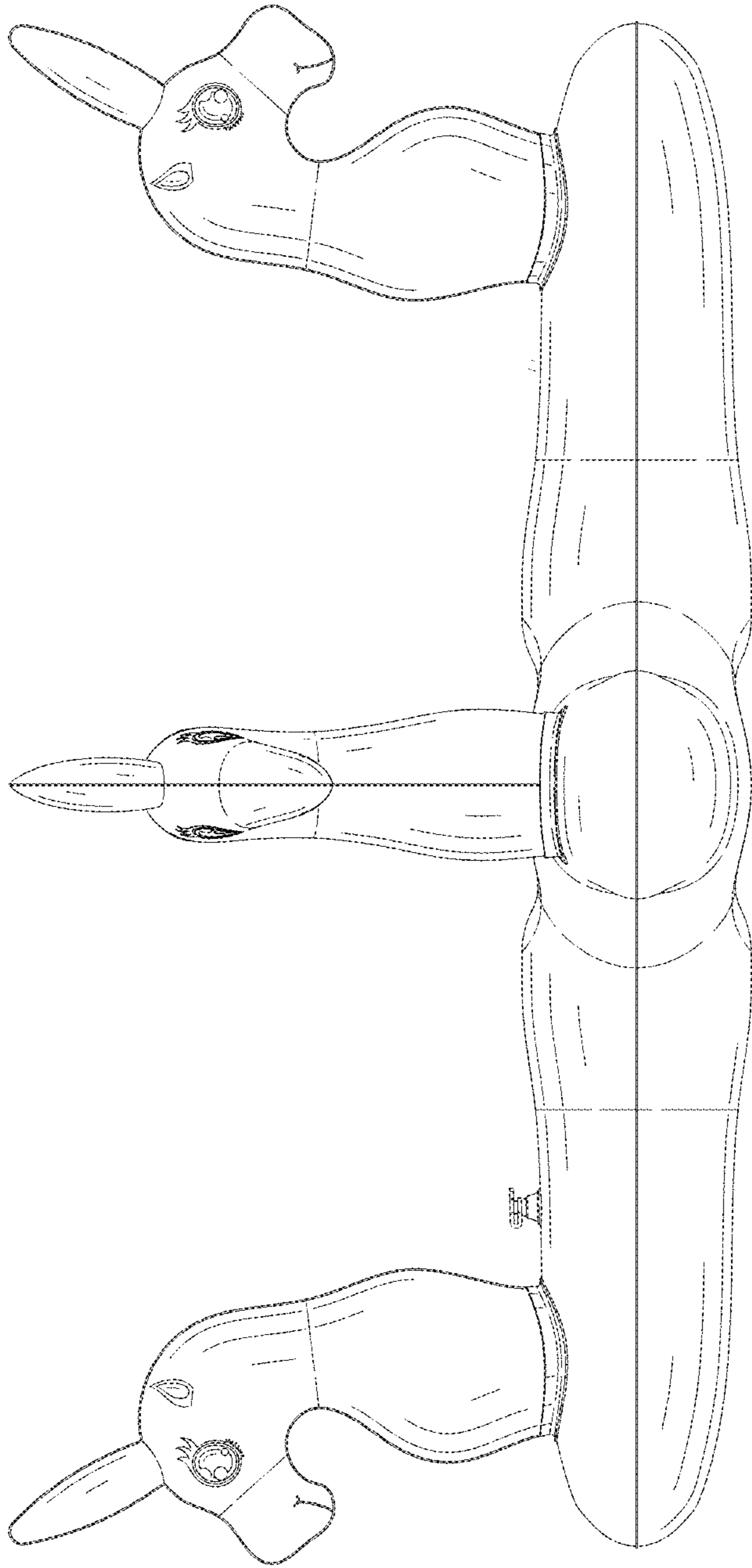


FIG. 6

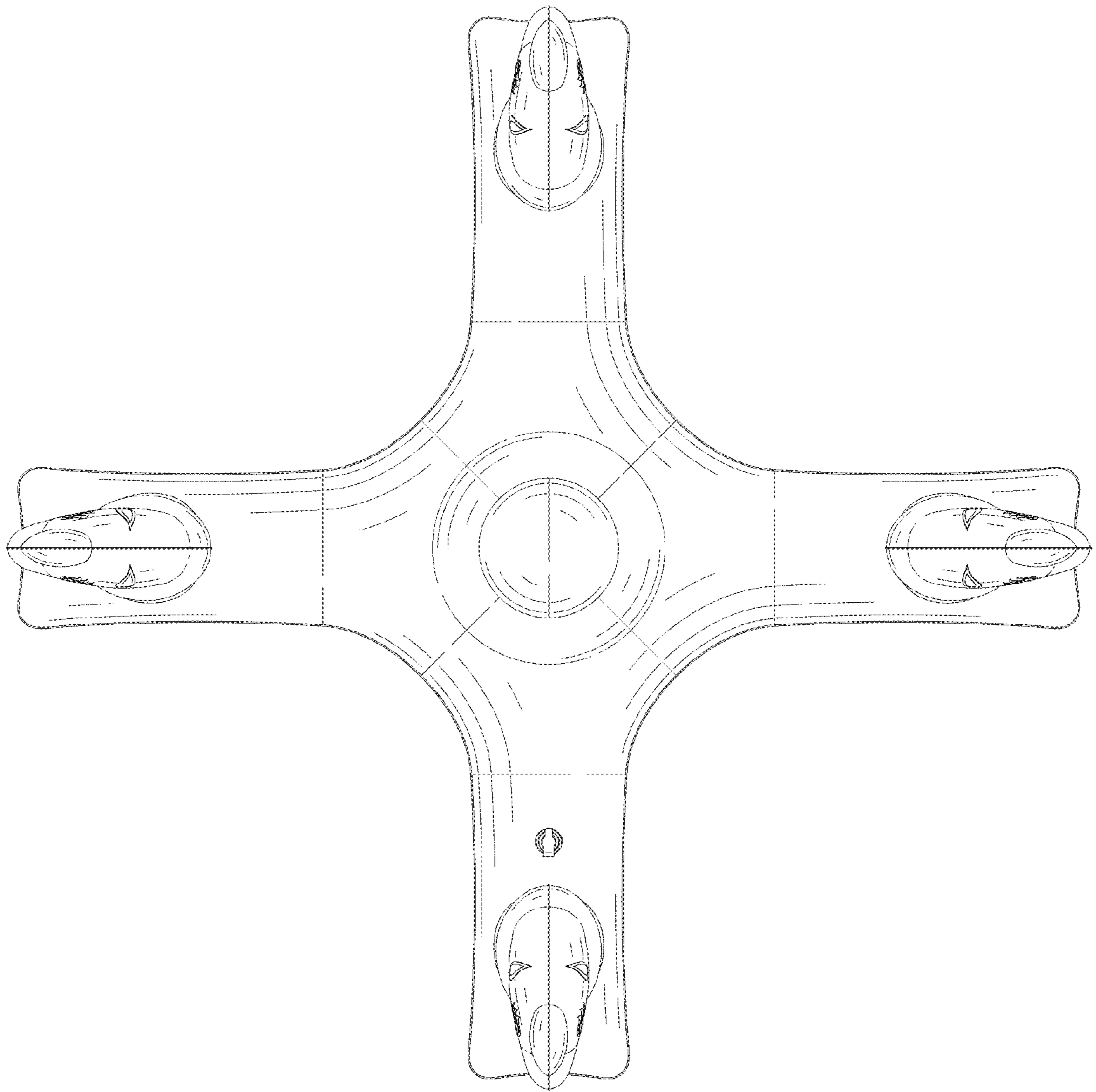


FIG. 7

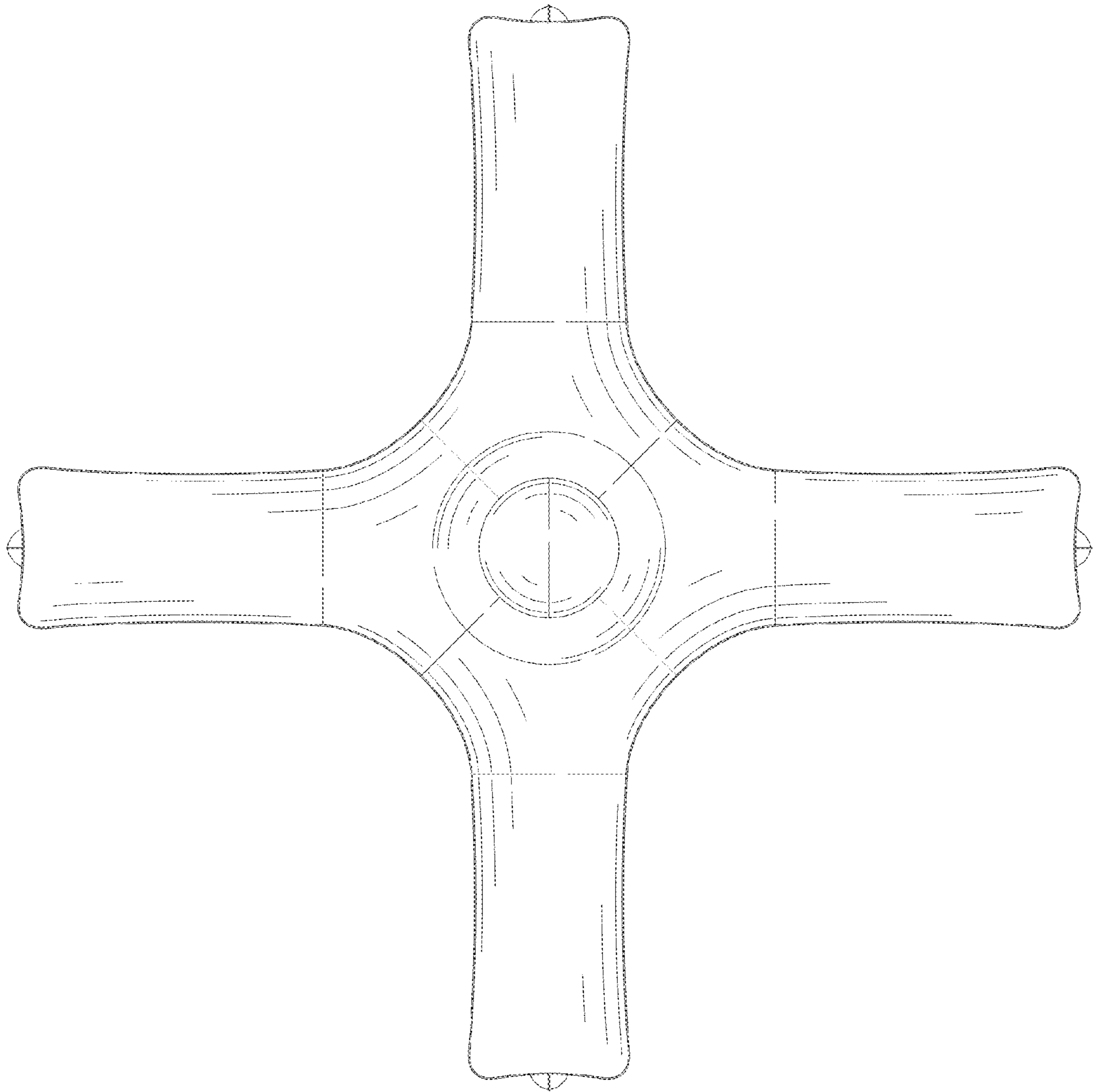


FIG. 8

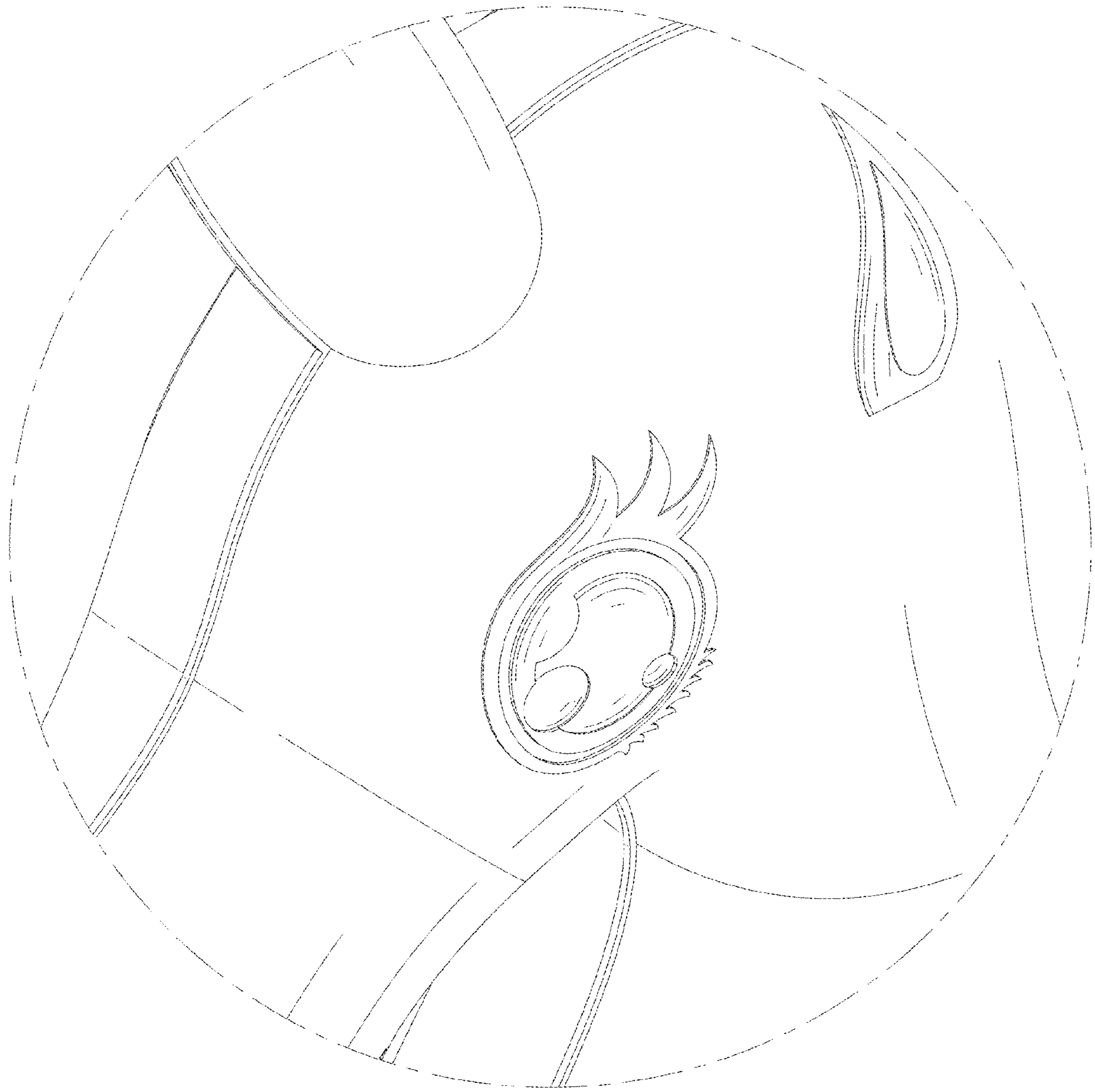


FIG. 9

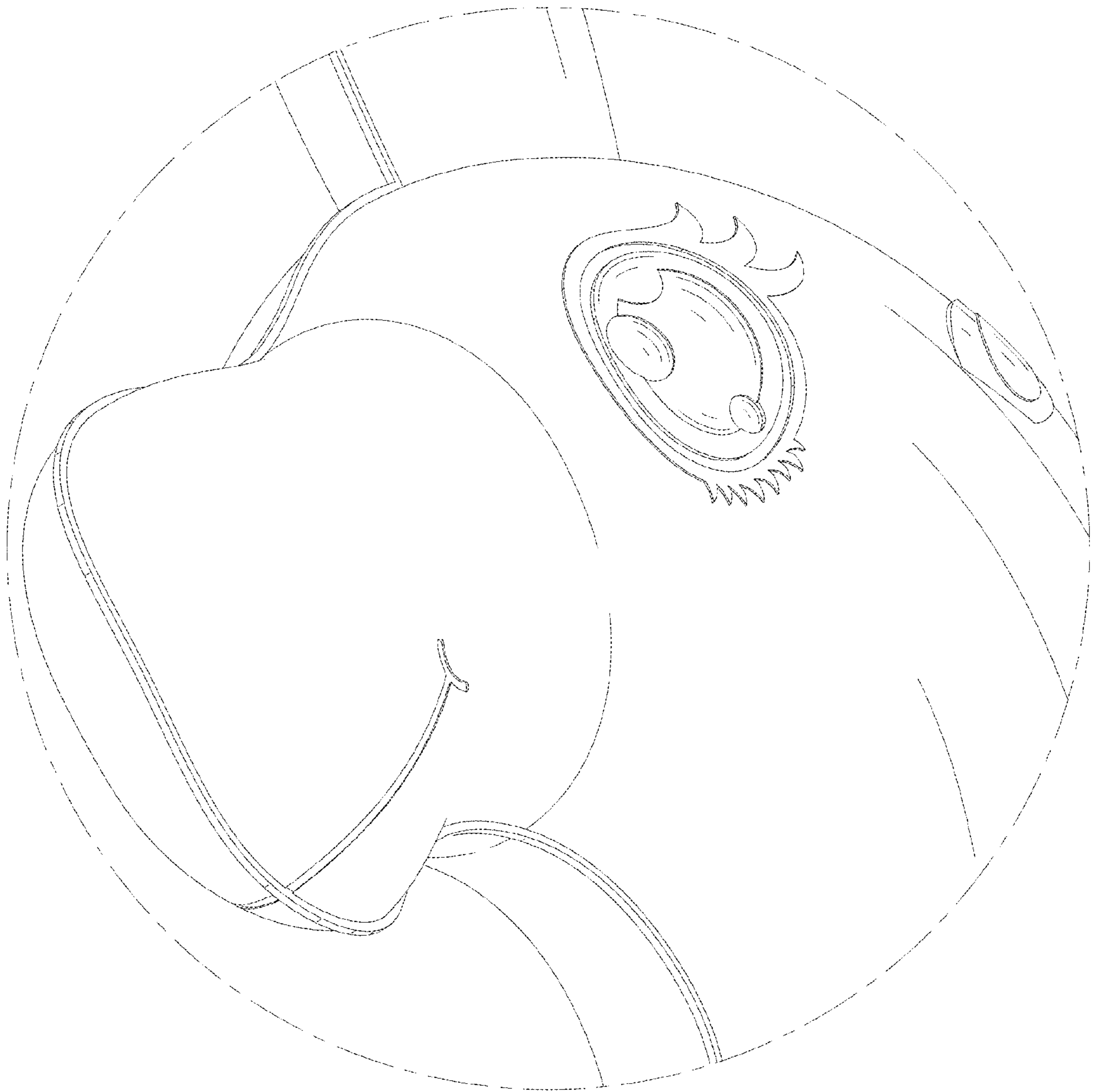


FIG. 10