



US00D959554S

(12) **United States Design Patent** (10) **Patent No.:** **US D959,554 S**  
**Engler et al.** (45) **Date of Patent:** **\*\* Aug. 2, 2022**

(54) **GAME TARGET**  
 (71) Applicant: **P&P IMPORTS LLC**, Irvine, CA (US)  
 (72) Inventors: **Peter Engler**, Newport Beach, CA (US); **Peter Tanoury**, Newport Beach, CA (US); **Sean Kyne**, Dana Point, CA (US)

D872,181 S \* 1/2020 Engler ..... D21/302  
 D872,182 S \* 1/2020 Engler ..... D21/305  
 D873,919 S \* 1/2020 Emmerson ..... D21/303  
 D876,548 S \* 2/2020 Wolters ..... D21/302  
 D877,256 S \* 3/2020 Engler ..... D21/303  
 D933,132 S \* 10/2021 Engler ..... D21/305

(\*\*) Term: **15 Years**  
 (21) Appl. No.: **29/752,980**

(22) Filed: **Sep. 29, 2020**  
 (51) **LOC (13) Cl.** ..... **21-01**  
 (52) **U.S. Cl.**  
 USPC ..... **D21/302**

(58) **Field of Classification Search**  
 USPC ..... D21/300, 301, 302, 303, 304, 305, 309,  
 D21/310, 312, 313, 314, 315, 699, 701,  
 D21/702, 703, 704, 705, 706, 707, 708,  
 D21/759, 781, 789  
 CPC ..... A63B 65/00; A63B 1/00; A63B 67/00;  
 A63B 63/00; A63B 63/04; A63B 63/045;  
 A63B 63/08; A63B 67/06; A63F 1/067;  
 A47B 25/00  
 See application file for complete search history.

(56) **References Cited**  
 U.S. PATENT DOCUMENTS

D706,354 S \* 6/2014 Montenare ..... D21/303  
 D808,465 S \* 1/2018 Wolters ..... D21/303  
 D838,791 S \* 1/2019 Schneider ..... D21/699  
 D868,916 S \* 12/2019 Engler ..... D21/303  
 D868,917 S \* 12/2019 Engler ..... D21/303

OTHER PUBLICATIONS

“GoSports Foam Fire Games” posted Nov. 22, 2019 [Online], [retrieved Jan. 26, 2022]. Retrieved from internet: <https://amzn.to/3o47SCm>.\*

\* cited by examiner

*Primary Examiner* — Mehri F Bajoul  
 (74) *Attorney, Agent, or Firm* — Casey H. Kempner;  
 Siamak S. Hefazi

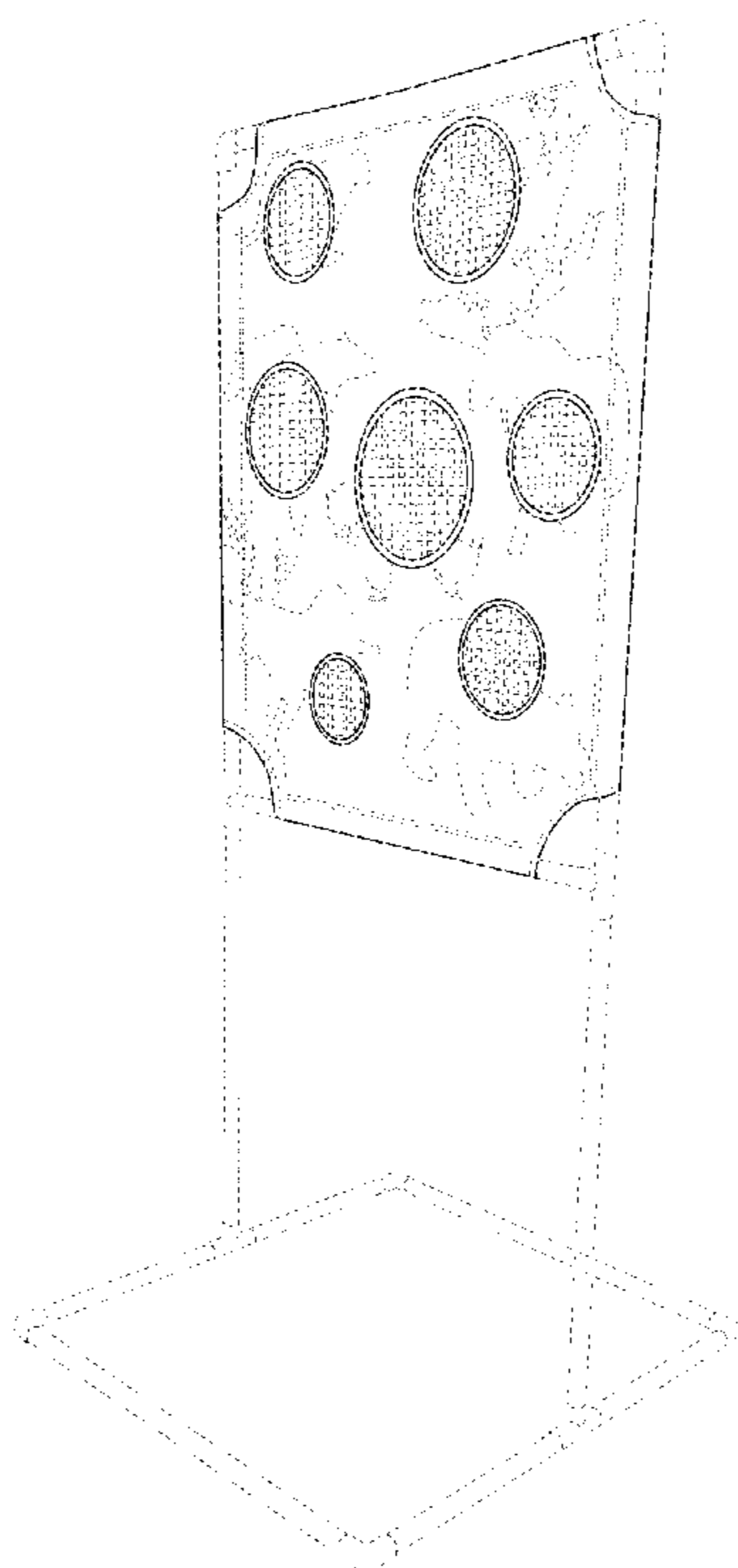
(57) **CLAIM**

The ornamental design for a game target, as shown and described.

**DESCRIPTION**

FIG. 1 is a perspective view of a game target showing the claimed design;  
 FIG. 2 is a front view thereof;  
 FIG. 3 is a back view thereof;  
 FIG. 4 is a right-side view thereof;  
 FIG. 5 is a left-side view thereof;  
 FIG. 6 is a bottom view thereof; and,  
 FIG. 7 is a top view thereof.  
 Broken lines in the figures show portions of the game target that form no part of the claimed design.

**1 Claim, 7 Drawing Sheets**



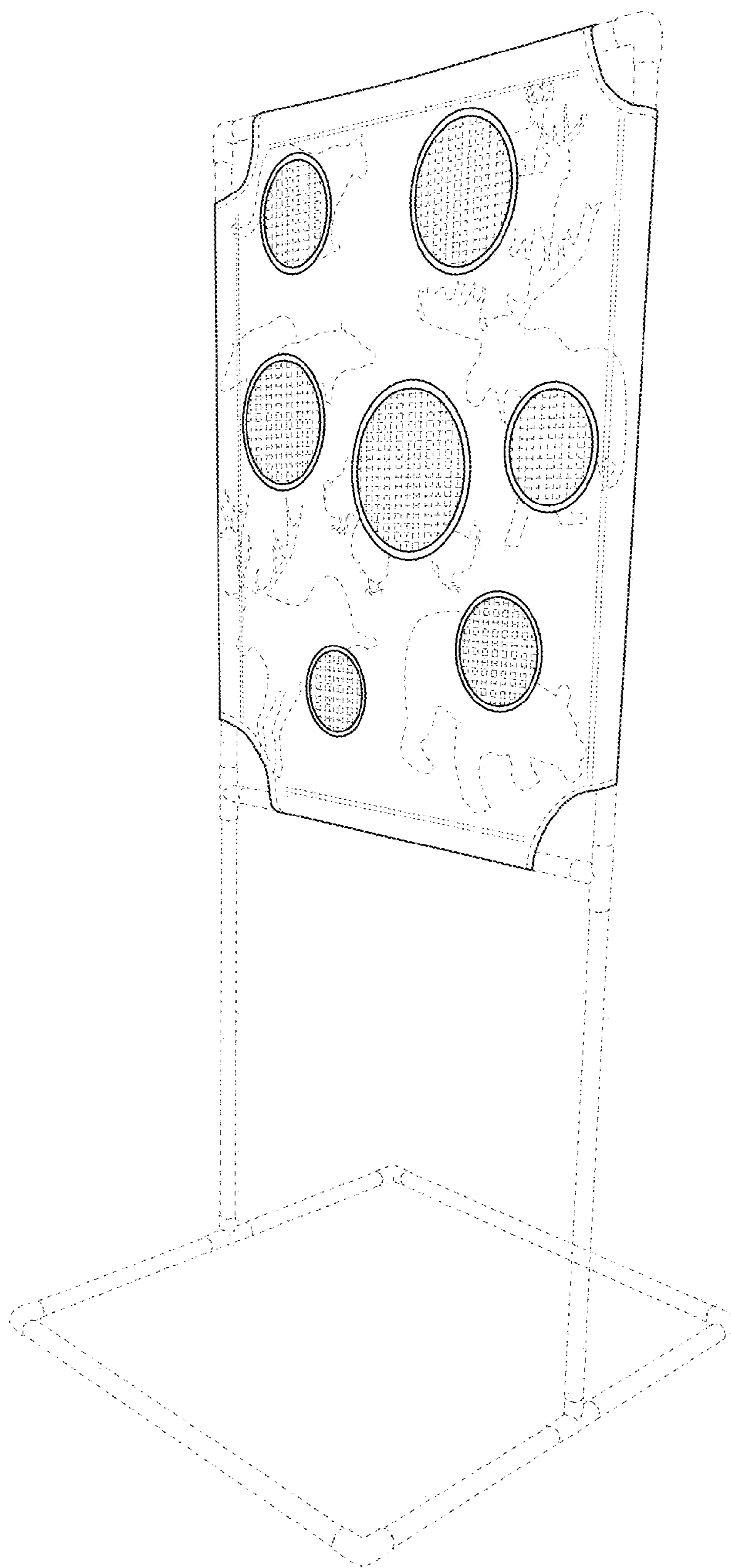


FIG. 1

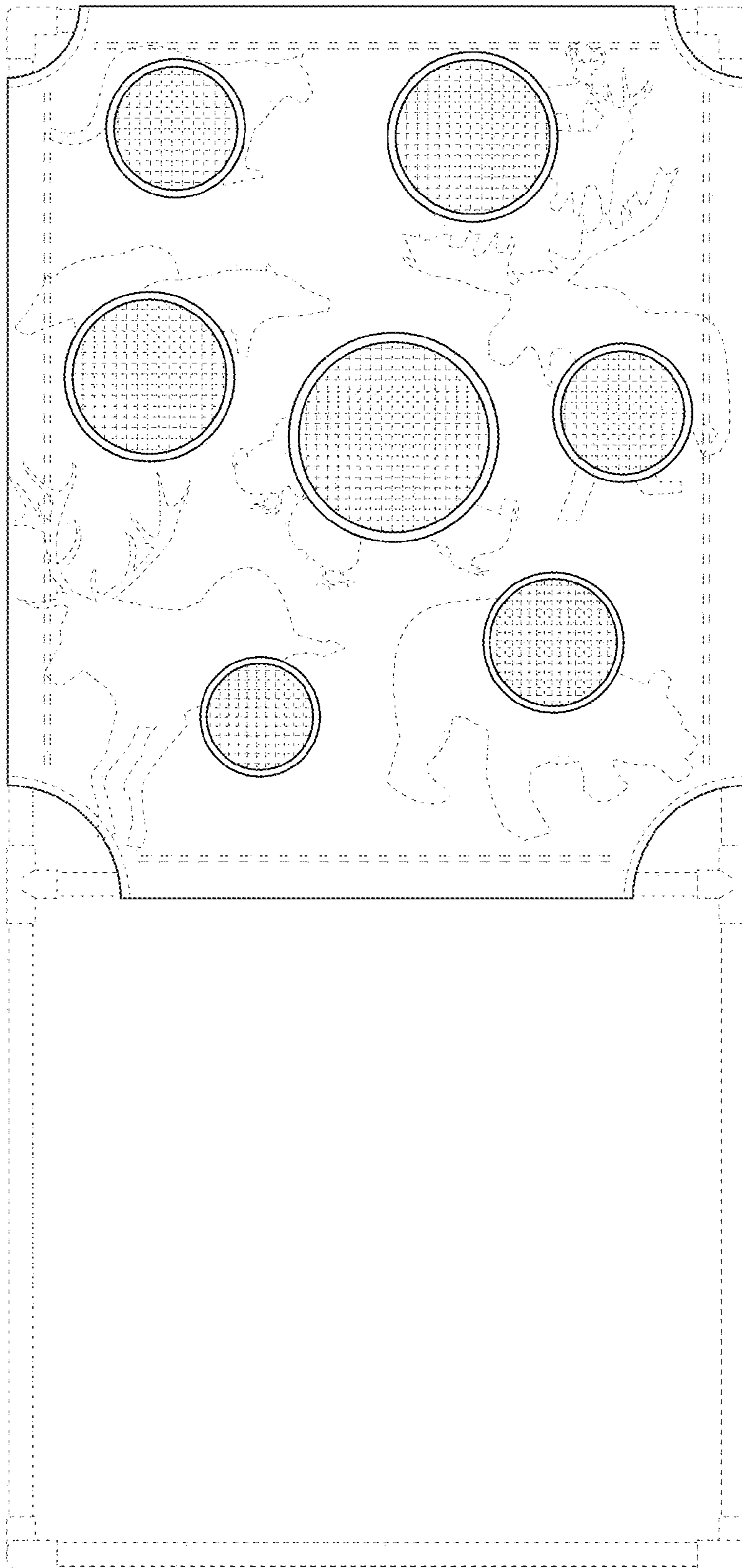


FIG. 2

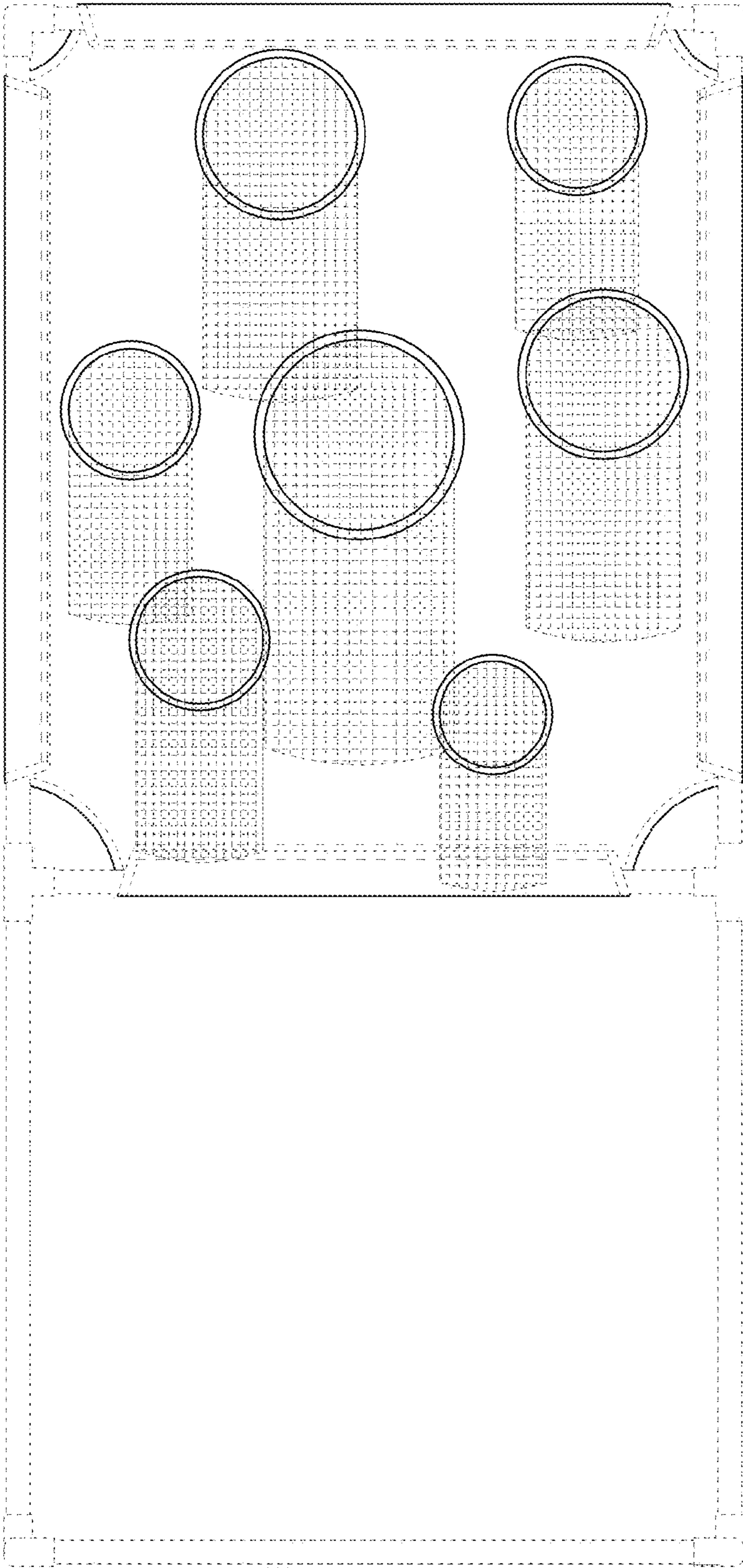


FIG. 3

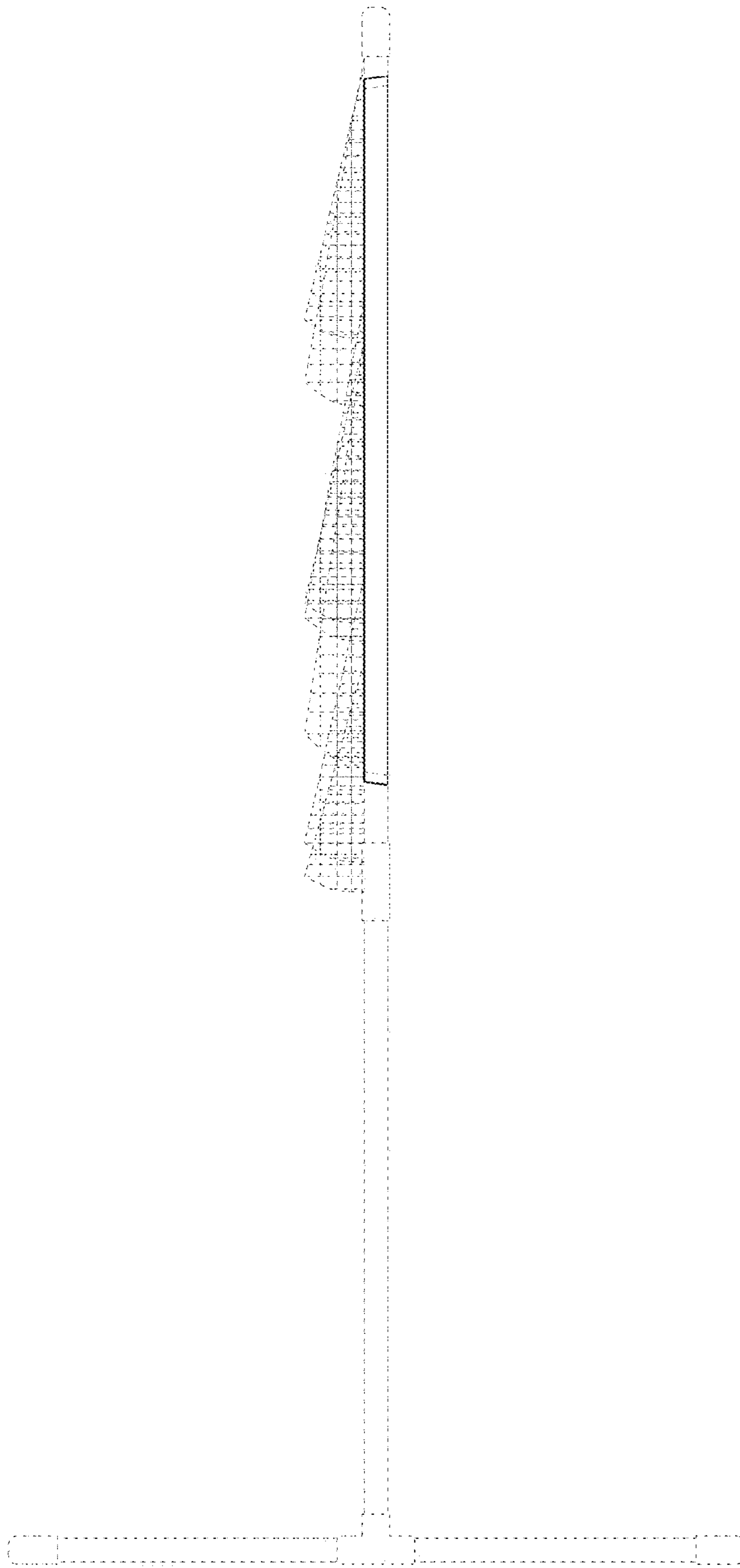


FIG. 4

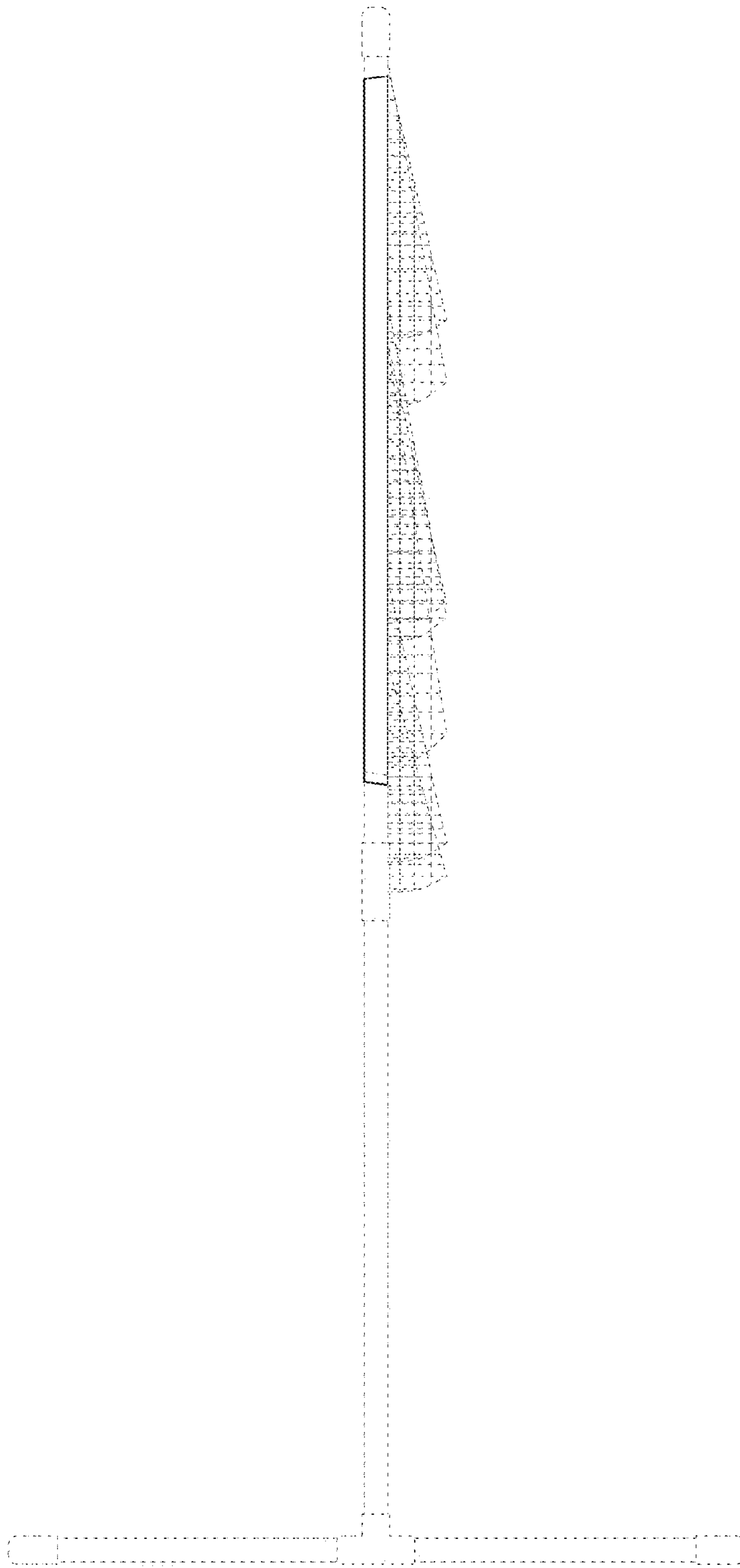


FIG. 5

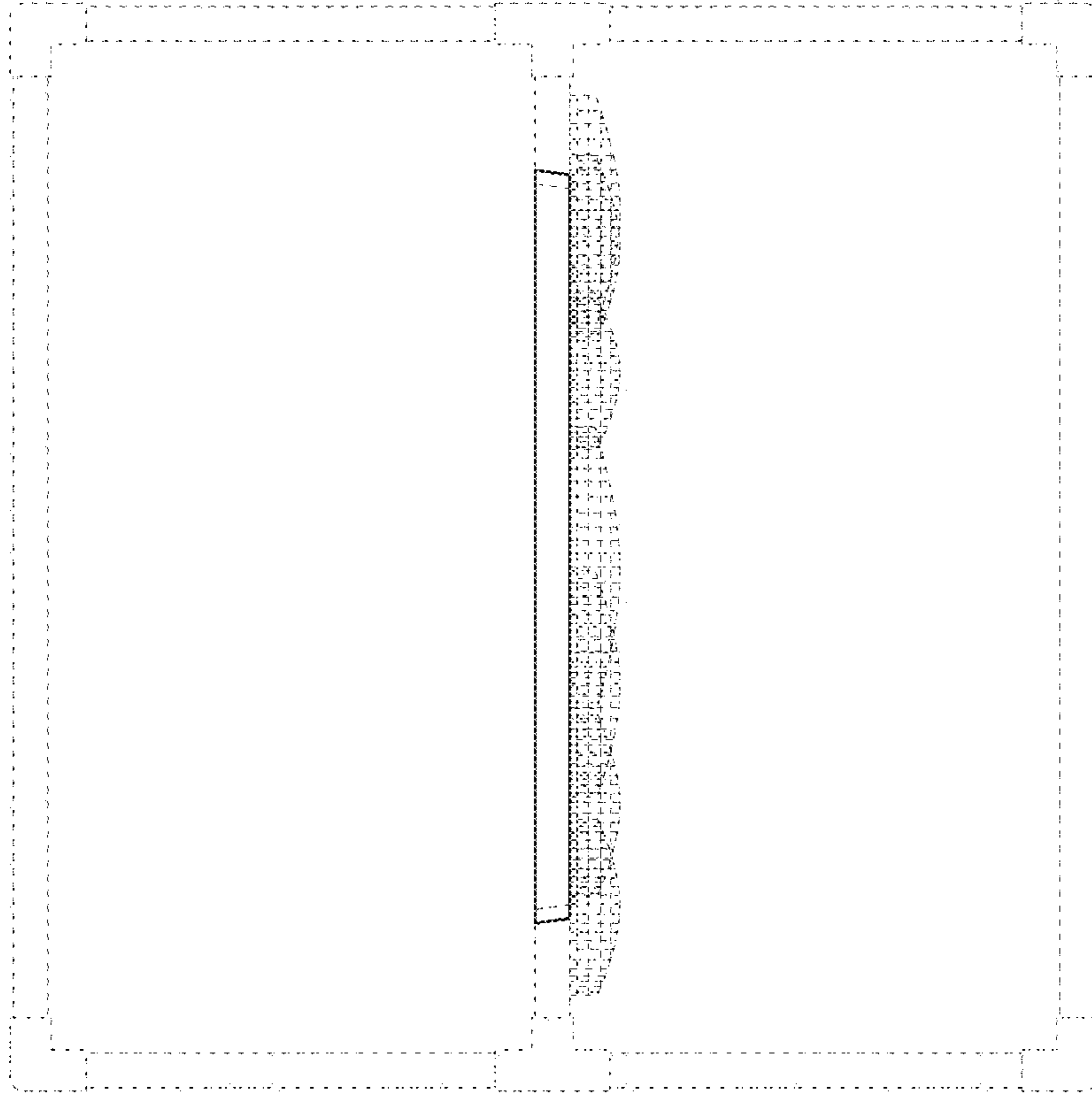


FIG. 6

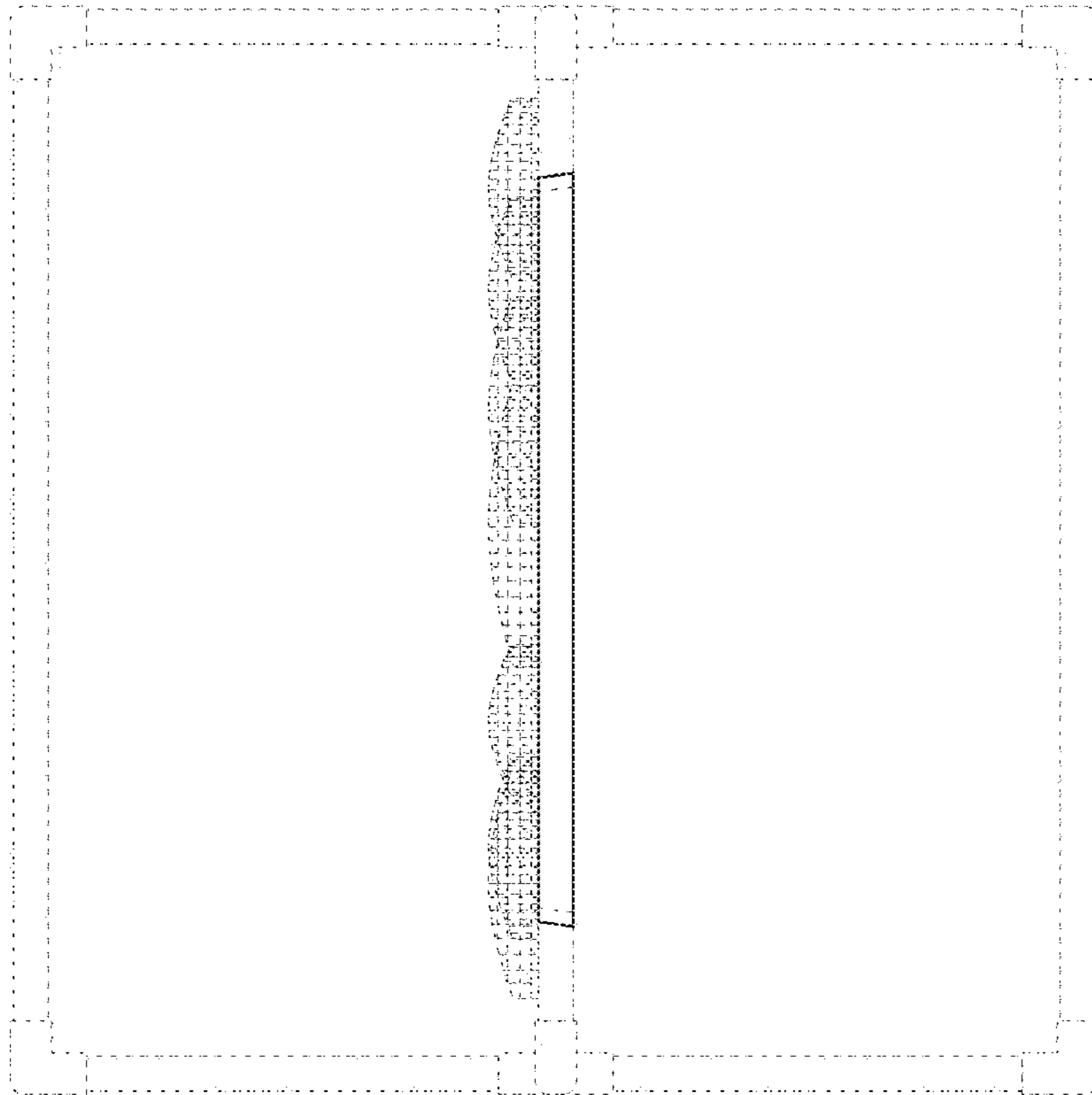


FIG. 7