



US00D959553S

(12) **United States Design Patent** (10) **Patent No.:** **US D959,553 S**  
**Crawford** (45) **Date of Patent:** **\*\* Aug. 2, 2022**

(54) **TICKET HOLDER**  
(71) Applicant: **Donald F. Crawford**, Ephrata, WA (US)  
(72) Inventor: **Donald F. Crawford**, Ephrata, WA (US)  
(\*\*) Term: **15 Years**  
(21) Appl. No.: **29/757,210**  
(22) Filed: **Nov. 4, 2020**  
(51) **LOC (13) Cl.** ..... **20-03**  
(52) **U.S. Cl.**  
USPC ..... **D20/43**  
(58) **Field of Classification Search**  
USPC .... D6/325, 328; D8/1, 71, 72, 73, 321, 349, D8/354, 355, 356, 357, 366, 367, 370, D8/371, 373, 376, 380, 381, 382, 400; D19/20, 86, 90, 91; D20/10, 19, 22, 23, D20/27, 40, 42, 43, 44, 99; D25/119  
CPC ..... G09F 3/16; G09F 7/02; G09F 7/16; G09F 2007/122; G09F 13/00; G09F 13/04; G09F 13/06; G09F 13/18; G09F 13/22; G09F 13/24; G09F 13/26; G09F 2013/1895; G09F 15/00; B43M 99/009; Y10T 24/203; B42F 1/02; B42F 5/00; B42F 5/02; B42F 5/04; B42F 5/005; B29C 65/52; B29C 65/56; B23P 19/00; B32B 37/02; B32B 38/00; B42D 3/12; B42D 3/045; B65D 11/00; B65D 11/10; B65D 25/10; B65D 25/54  
See application file for complete search history.

D252,578 S \* 8/1979 Charowhas ..... D19/86  
4,195,429 A \* 4/1980 Wegner ..... B41J 29/15 40/356  
D307,301 S \* 4/1990 Kraus ..... D20/43  
D390,883 S \* 2/1998 Watkins ..... D20/15  
5,896,624 A \* 4/1999 Horswell ..... B42F 1/006 24/67.5  
D550,292 S 9/2007 Crawford  
7,305,741 B2 \* 12/2007 Joe ..... B42F 1/006 24/558  
D652,457 S \* 1/2012 Robins ..... D21/491  
D663,237 S \* 7/2012 Dunn ..... D20/10  
9,308,769 B1 \* 4/2016 Lau ..... B42F 21/06  
9,511,615 B2 \* 12/2016 Isserstedt ..... B42F 1/006

\* cited by examiner

*Primary Examiner* — Mary Ann Calabrese  
*Assistant Examiner* — Catherine Ho  
(74) *Attorney, Agent, or Firm* — Randall Danskin P.S.

(57) **CLAIM**

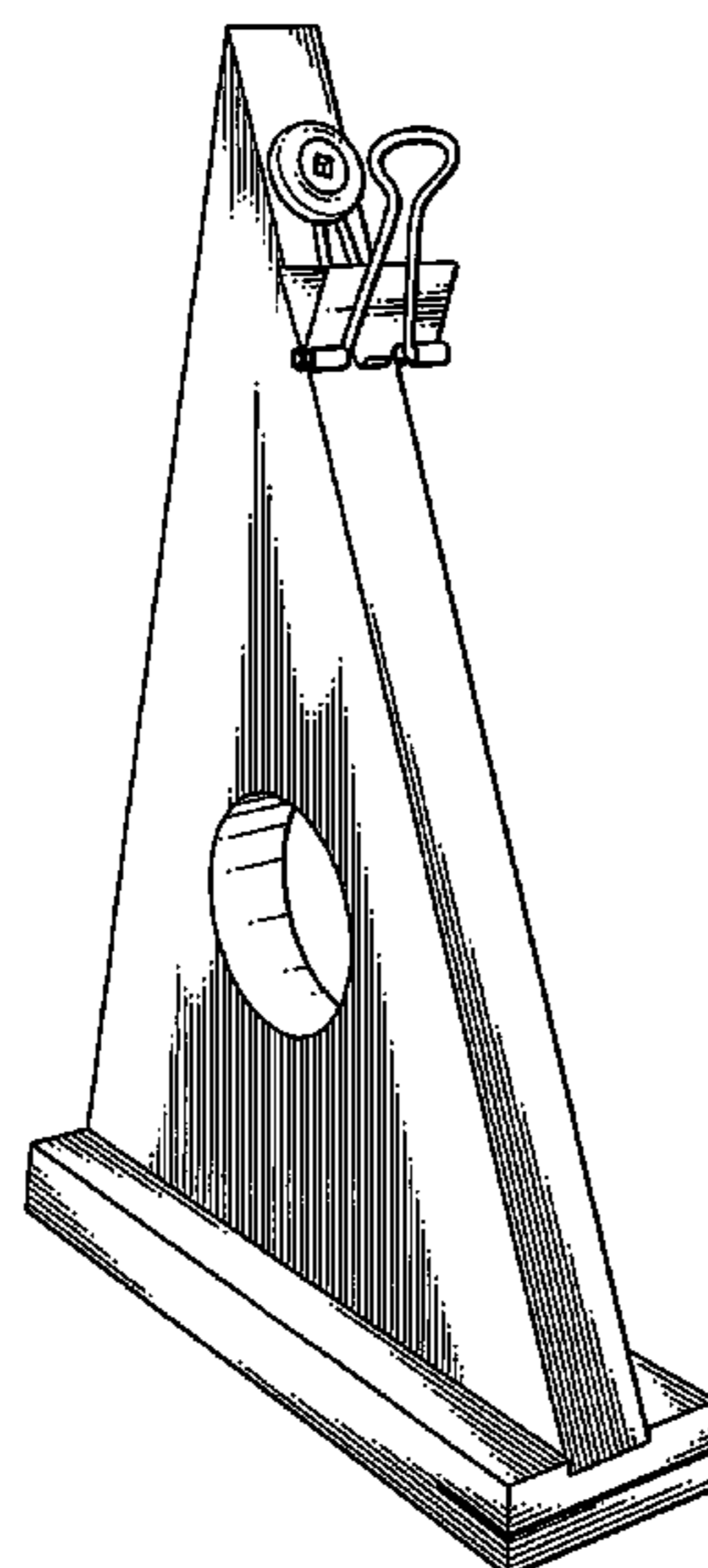
I claim the ornamental design for a ticket holder, as shown and described.

**DESCRIPTION**

FIG. 1 is a front, top and left side perspective view of a ticket holder showing my new design.  
FIG. 2 is a left side view thereof, the right side view being a mirror image thereof.  
FIG. 3 is a front view thereof.  
FIG. 4 is a rear side view thereof.  
FIG. 5 is a top, plan view thereof.  
FIG. 6 is a bottom, plan view thereof.  
FIG. 7 is front, top and left side perspective view of a ticket holder shown in environment of use.  
FIG. 8 is bottom, front left side perspective view thereof; and,  
FIG. 9 is bottom front right side perspective view thereof.  
The broken line portion of the figure drawings is included to show environment that forms no part of the claimed design.

**1 Claim, 7 Drawing Sheets**

(56) **References Cited**  
U.S. PATENT DOCUMENTS  
3,153,400 A \* 10/1964 Mendels ..... B41J 29/15 40/352  
3,449,850 A \* 6/1969 Eckert ..... B41J 29/15 40/356



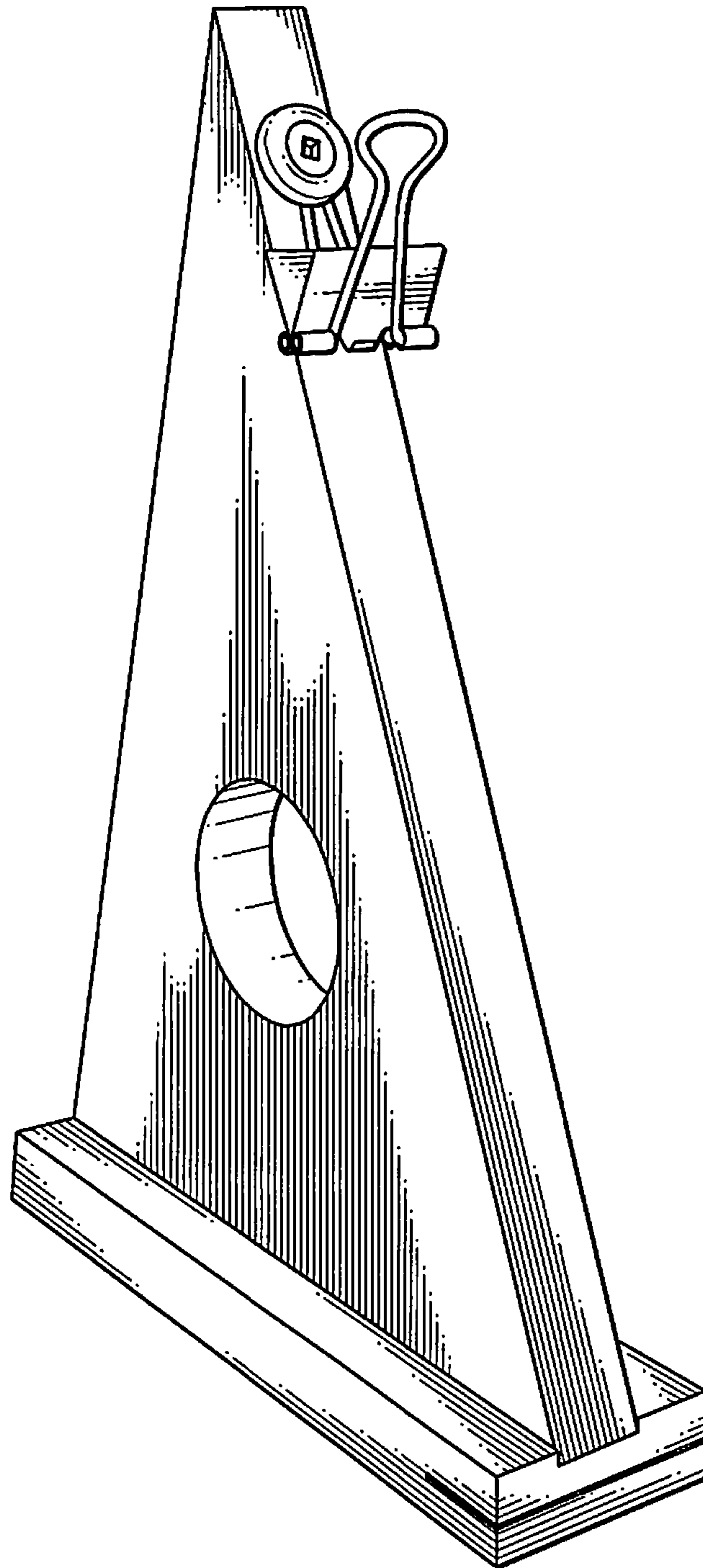


FIG. 1

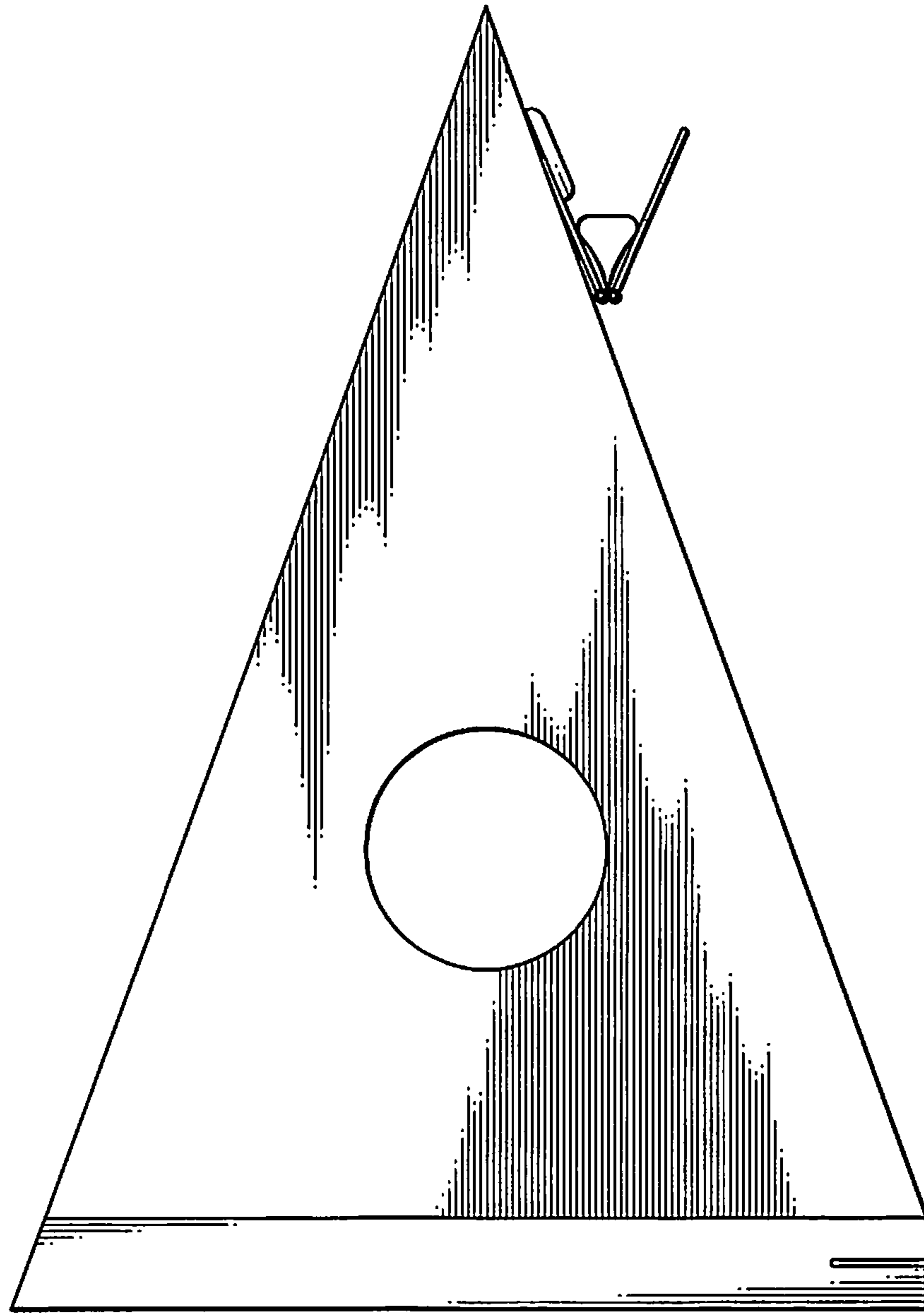


FIG. 2

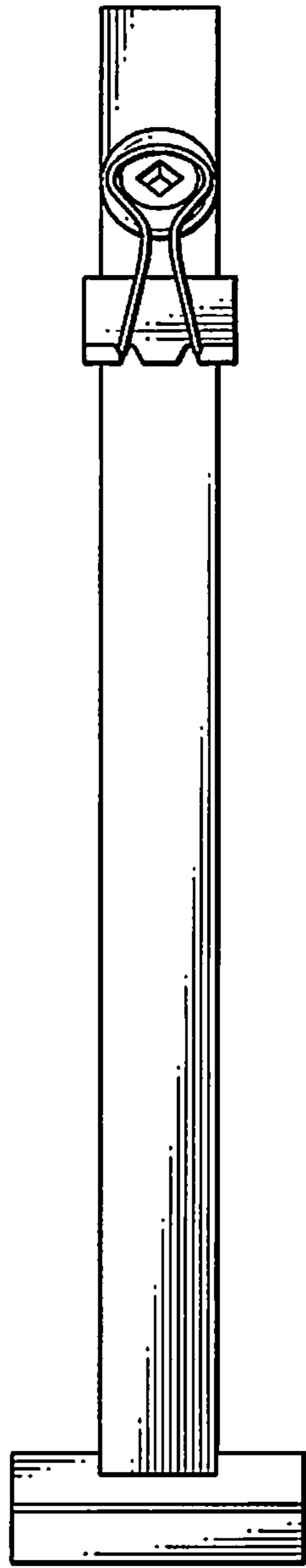


FIG. 3

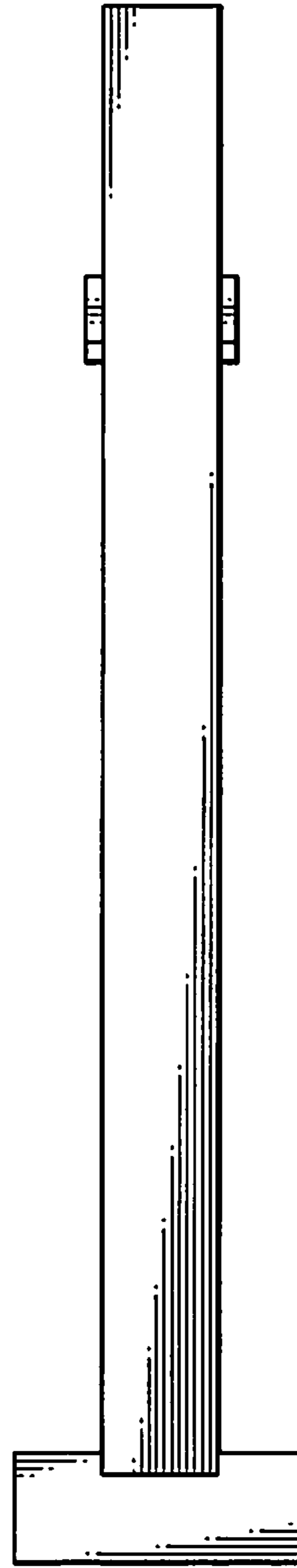


FIG. 4

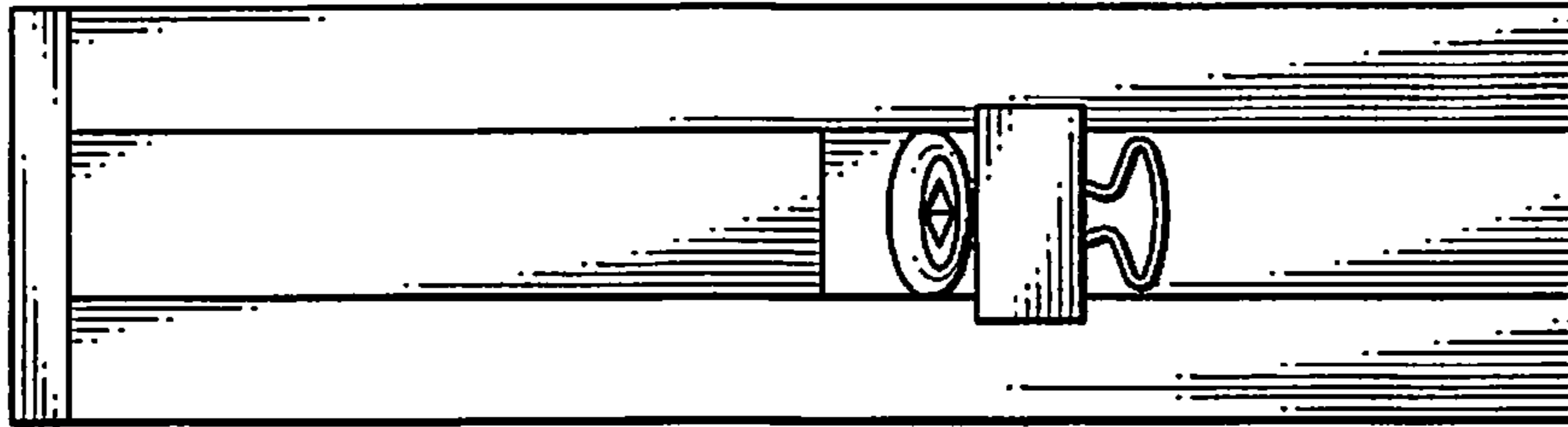


FIG. 5

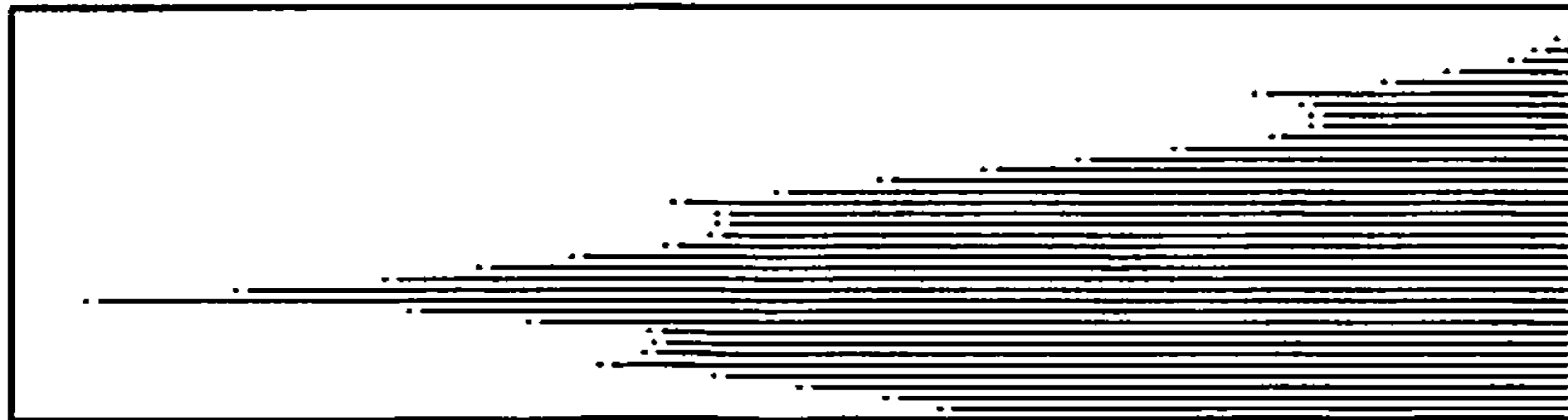


FIG. 6

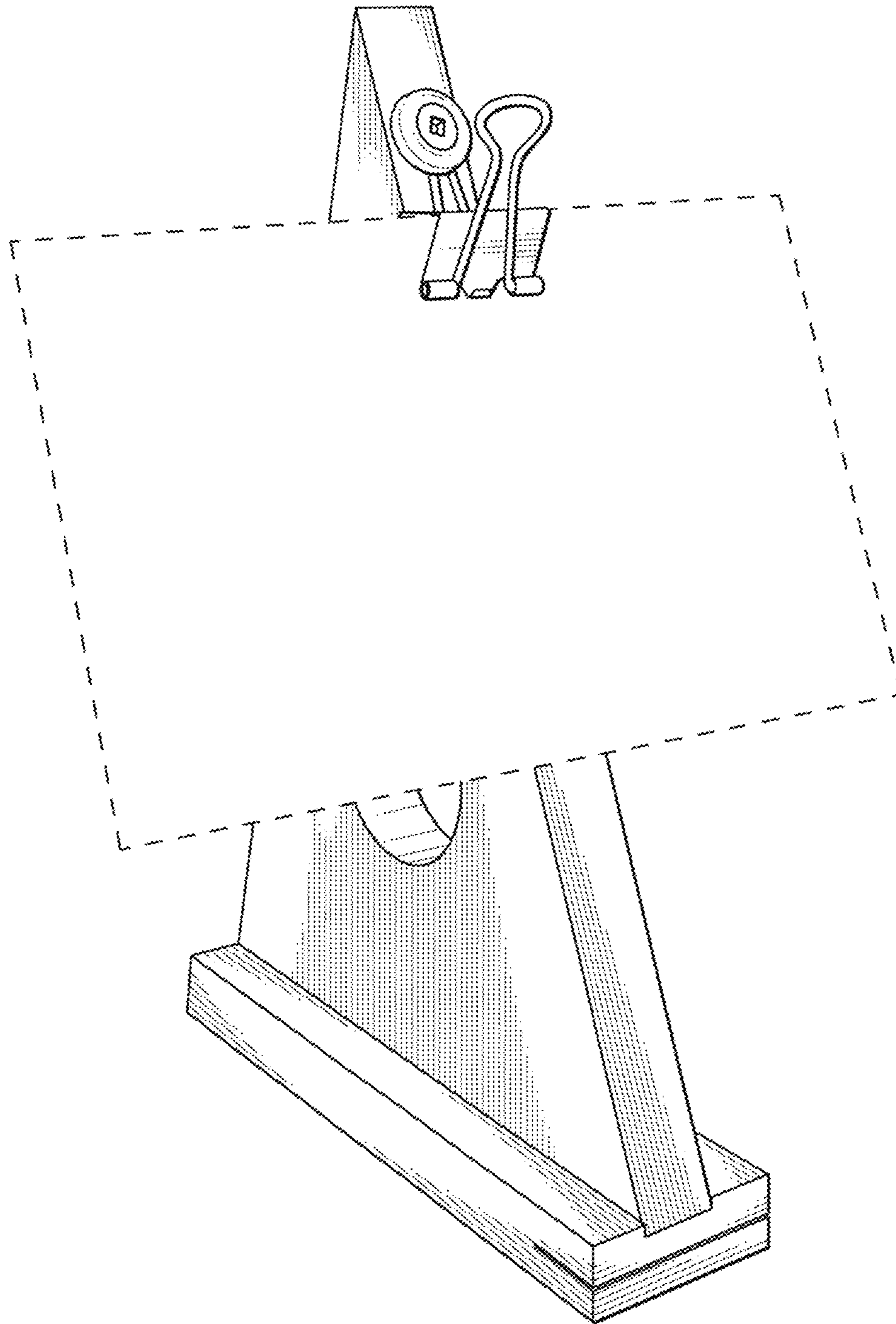


FIG. 7

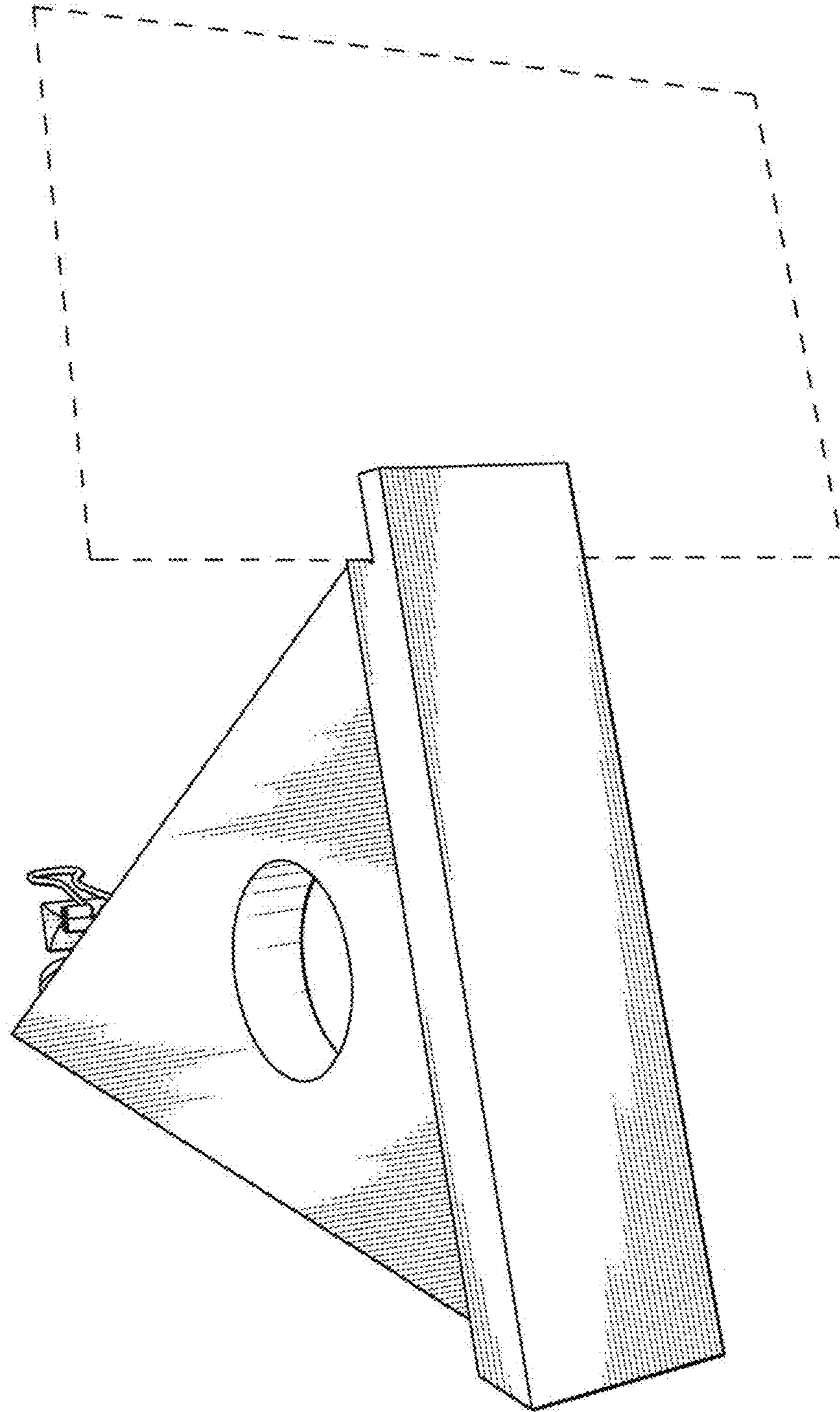


FIG. 8

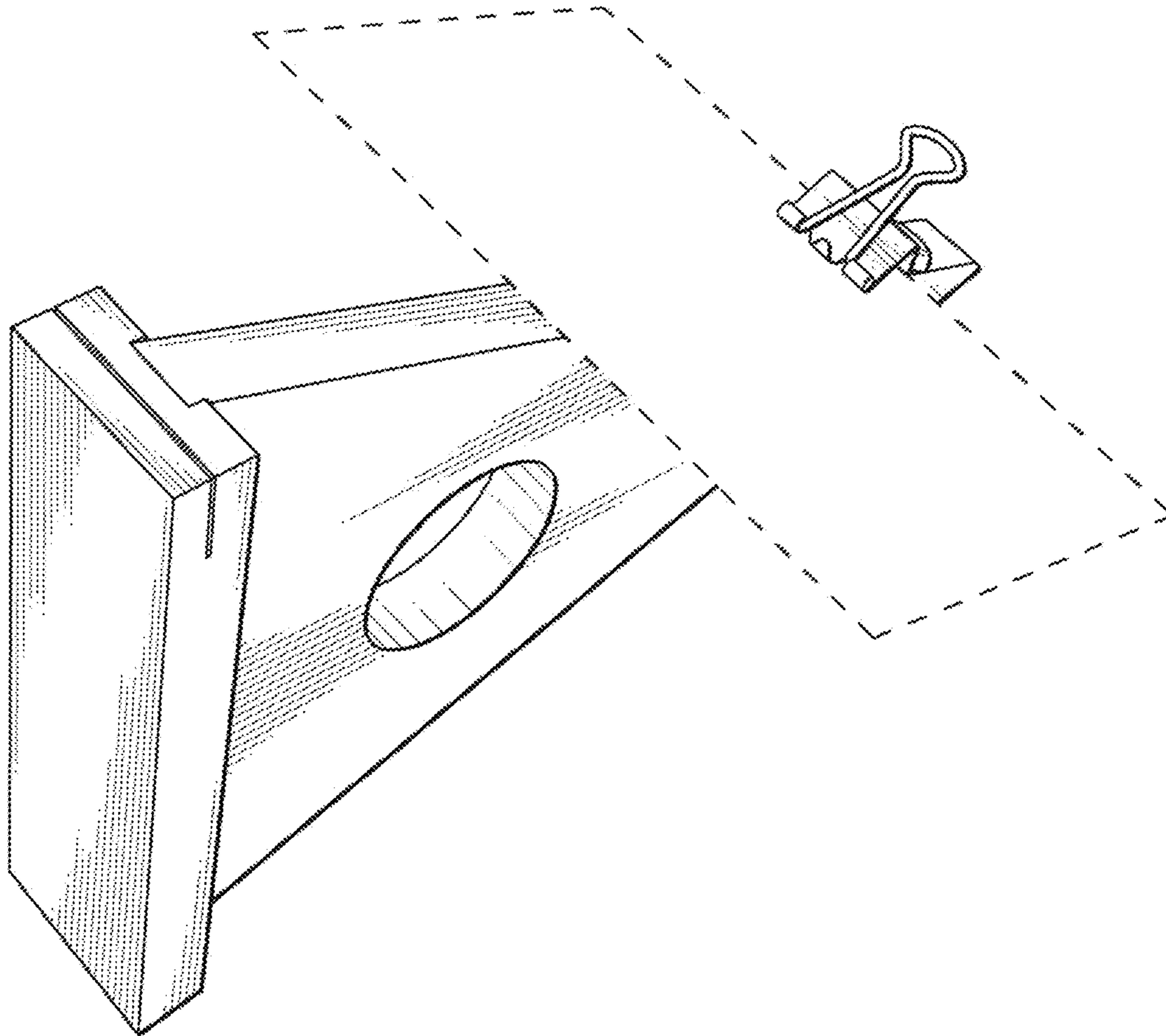


FIG. 9



UNITED STATES PATENT AND TRADEMARK OFFICE  
**CERTIFICATE OF CORRECTION**


PATENT NO. : D959,553 S  
APPLICATION NO. : 29/757210  
DATED : August 2, 2022  
INVENTOR(S) : Donald F. Crawford

Page 1 of 1

It is certified that error appears in the above-identified patent and that said Letters Patent is hereby corrected as shown below:

On the Title Page

Description Fig. 7: Insert the word --an-- after the word --in-- and before the word --environment--.

Signed and Sealed this  
Twenty-fifth Day of April, 2023  
  
Katherine Kelly Vidal  
Director of the United States Patent and Trademark Office