



US00D959551S

(12) **United States Design Patent** (10) **Patent No.:** **US D959,551 S**
Fincham (45) **Date of Patent:** **** Aug. 2, 2022**

(54) **DESK ORGANIZER**

(71) Applicant: **Sharon Victoria Fincham,**
Cockeysville, MD (US)

(72) Inventor: **Sharon Victoria Fincham,**
Cockeysville, MD (US)

(**) Term: **15 Years**

(21) Appl. No.: **29/788,810**

(22) Filed: **Jul. 30, 2021**

(51) **LOC (13) Cl.** **19-02**

(52) **U.S. Cl.**
USPC **D19/78**

(58) **Field of Classification Search**
USPC D19/75, 77, 78, 85, 86, 90; D3/901, 902;
D6/670, 663
CPC .. B43M 99/00; B43M 99/001; B43M 99/008;
B43M 99/009; A45C 11/36
See application file for complete search history.

(56) **References Cited**

U.S. PATENT DOCUMENTS

D51,640 S	1/1918	Frawley	
1,502,605 A *	7/1924	Welcker	B42F 17/00
			D19/86
1,667,564 A *	4/1928	Pearson	A45C 5/005
			312/227
D94,709 S *	2/1935	Piffath	D6/670
2,755,154 A *	7/1956	Mele	A45C 11/16
			312/274
D179,652 S *	2/1957	Olson	D19/78
D213,381 S *	2/1969	Clerico	D6/670
D249,426 S *	9/1978	Parsons	D6/670
D250,960 S *	1/1979	Bitner, Jr.	D6/675.4
D257,361 S *	10/1980	Leung	D19/75
D305,246 S *	12/1989	Kirchhoff	D19/78
D316,565 S	4/1991	Rust	
D341,715 S *	11/1993	Ancona	D3/901

D355,217 S	2/1995	Luna	
D357,600 S *	4/1995	Chen	D6/670
D417,783 S *	12/1999	Wolf	D3/276
D471,029 S	3/2003	Brady	
D474,600 S *	5/2003	Lewis	D3/298
D483,963 S	12/2003	Cassel	
D524,079 S *	7/2006	Grosfillex	D6/671.1
D585,494 S	1/2009	Yoshikawa	
D590,021 S *	4/2009	Hughes	D19/76
D602,264 S	10/2009	Sheridoni	
D664,803 S *	8/2012	Argondizzo	D7/368
D672,164 S *	12/2012	Christopher	D6/667
D676,259 S	2/2013	Lu	
D677,934 S *	3/2013	Grela	D6/670
D734,549 S *	7/2015	Waller	D3/901
D734,626 S *	7/2015	Deka	D6/670
D757,434 S *	5/2016	Beilman	D3/901
D799,860 S *	10/2017	Schmitt	D6/663

(Continued)

Primary Examiner — Elizabeth A. Albert
(74) *Attorney, Agent, or Firm* — Dunlap Bennett &
Ludwig, PLLC; Brendan E. Squire

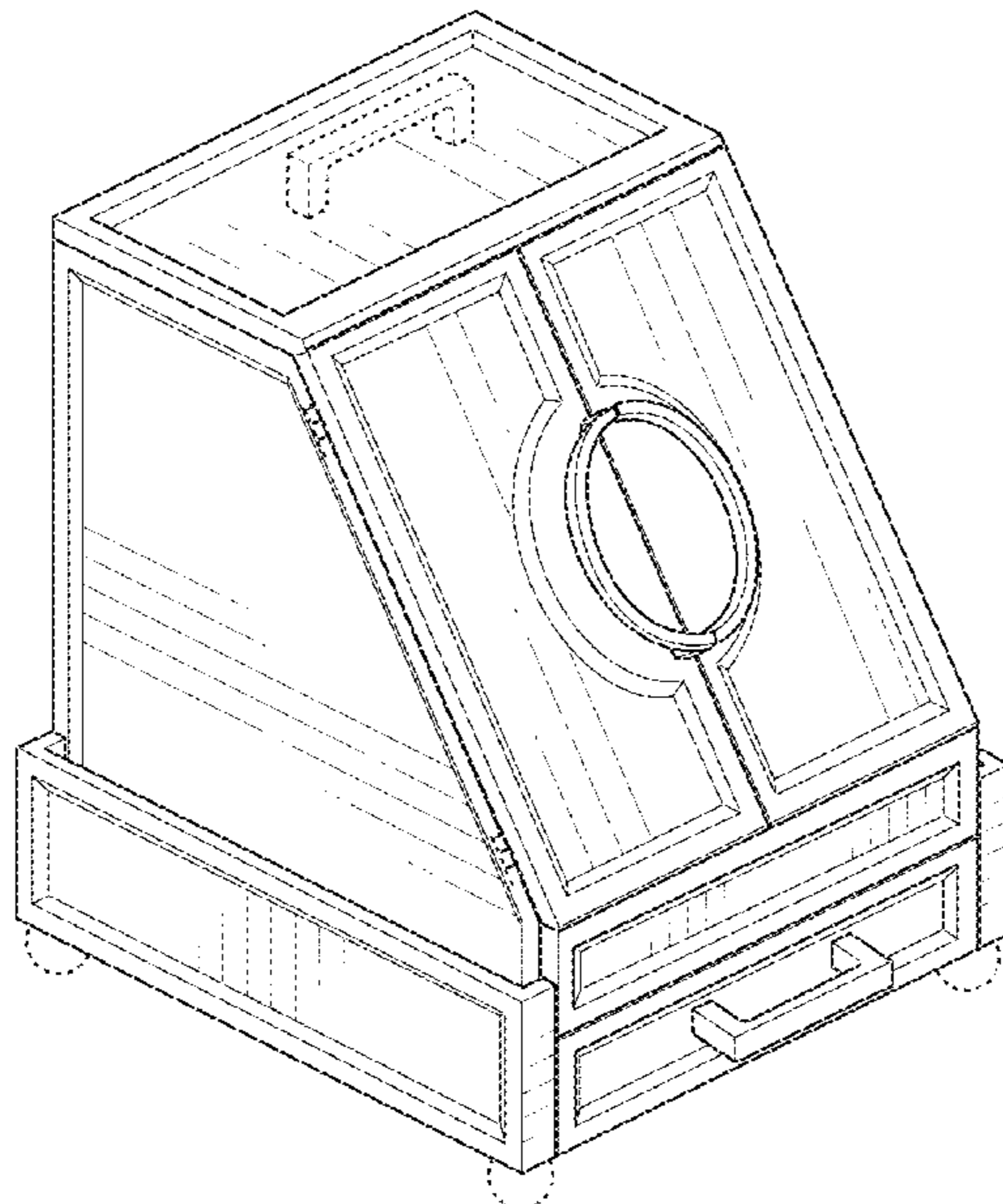
(57) **CLAIM**

The ornamental design for a desk organizer, as shown and described.

DESCRIPTION

FIG. 1 is a perspective view of the desk organizer showing my new design.
FIG. 2 is a front elevation view thereof.
FIG. 3 is a rear elevation view thereof.
FIG. 4 is a right elevation view thereof.
FIG. 5 is a left elevation view thereof.
FIG. 6 is a top plan view thereof.
FIG. 7 is a bottom plan view thereof; and,
FIG. 8 is an in-use view thereof.
The broken lines shown in the drawings illustrate portions of the desk organizer that form no part of the claimed design.

1 Claim, 5 Drawing Sheets



(56)

References Cited

U.S. PATENT DOCUMENTS

D918,625 S * 5/2021 Xu D6/667
D932,216 S * 10/2021 Stravitz D6/670
2006/0196837 A1 9/2006 Dao

* cited by examiner

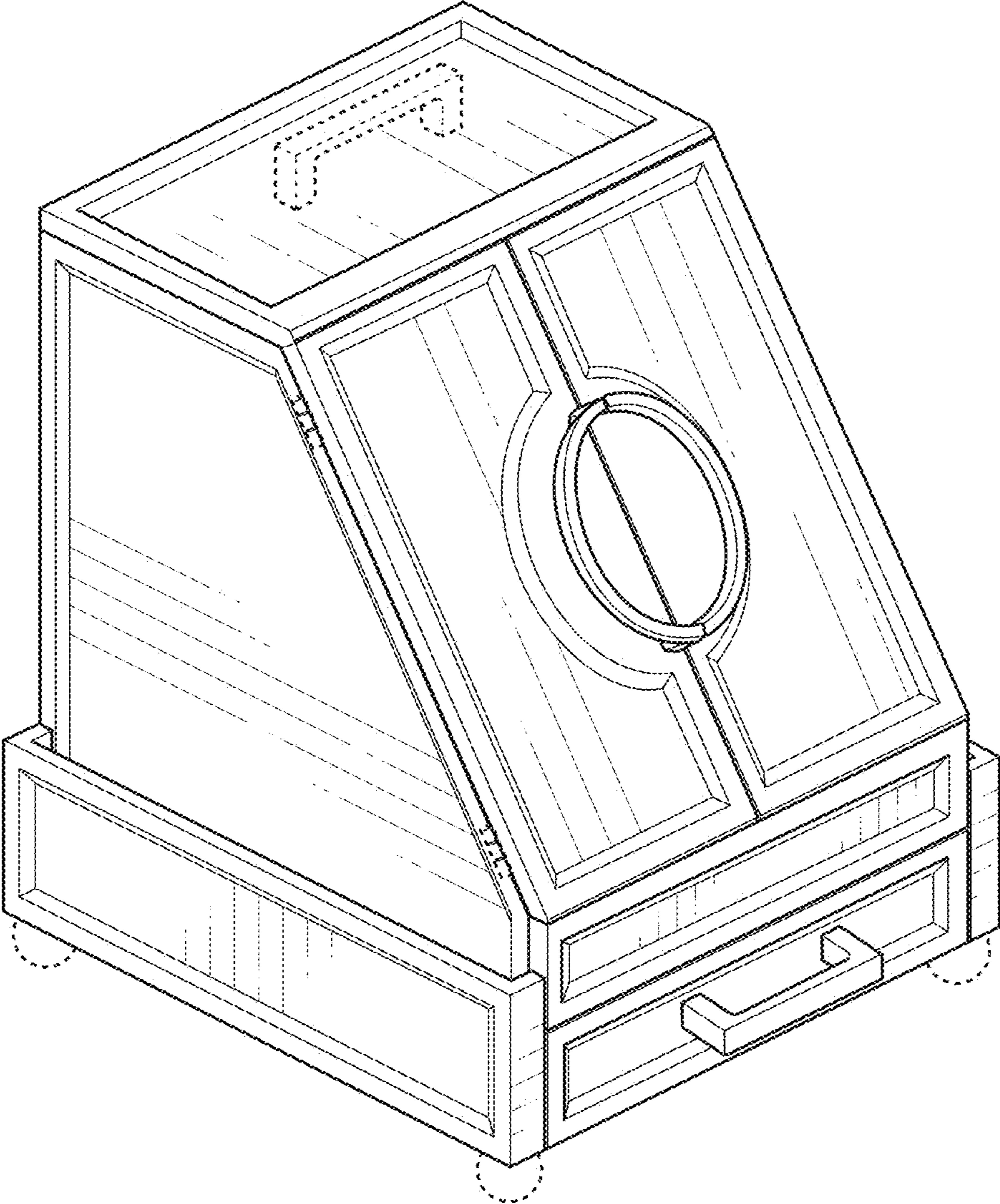


FIG. 1

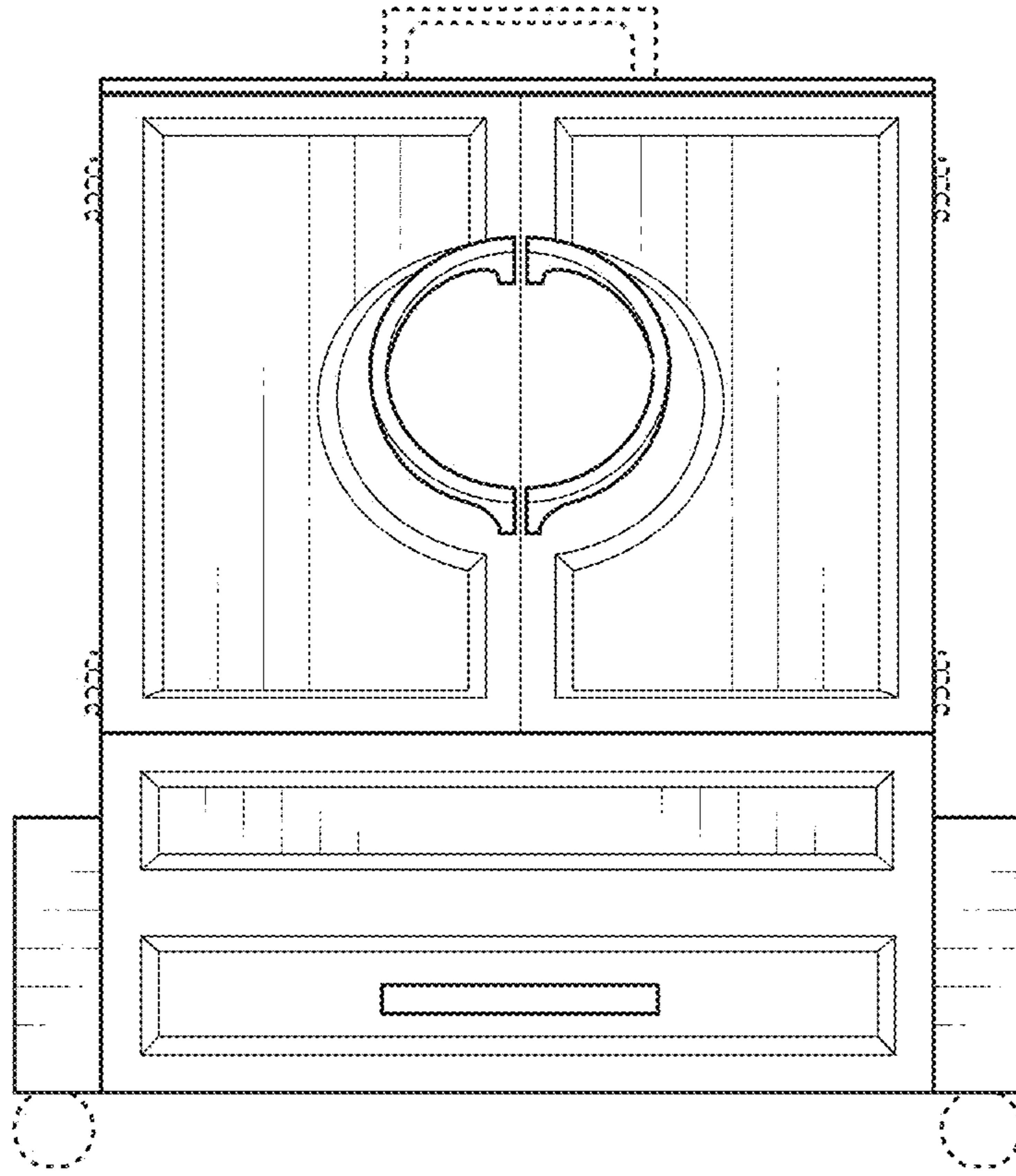


FIG. 2

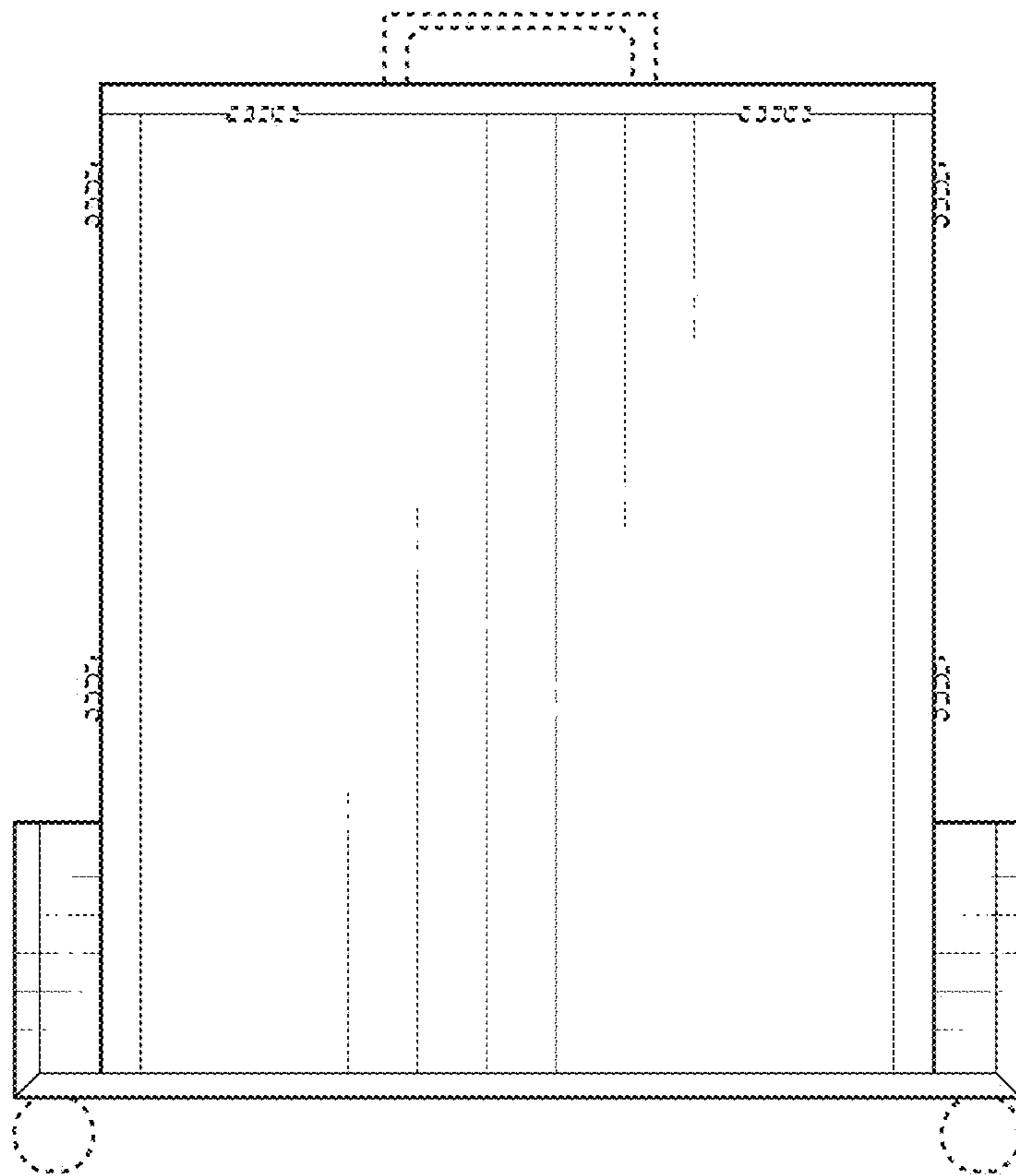


FIG. 3

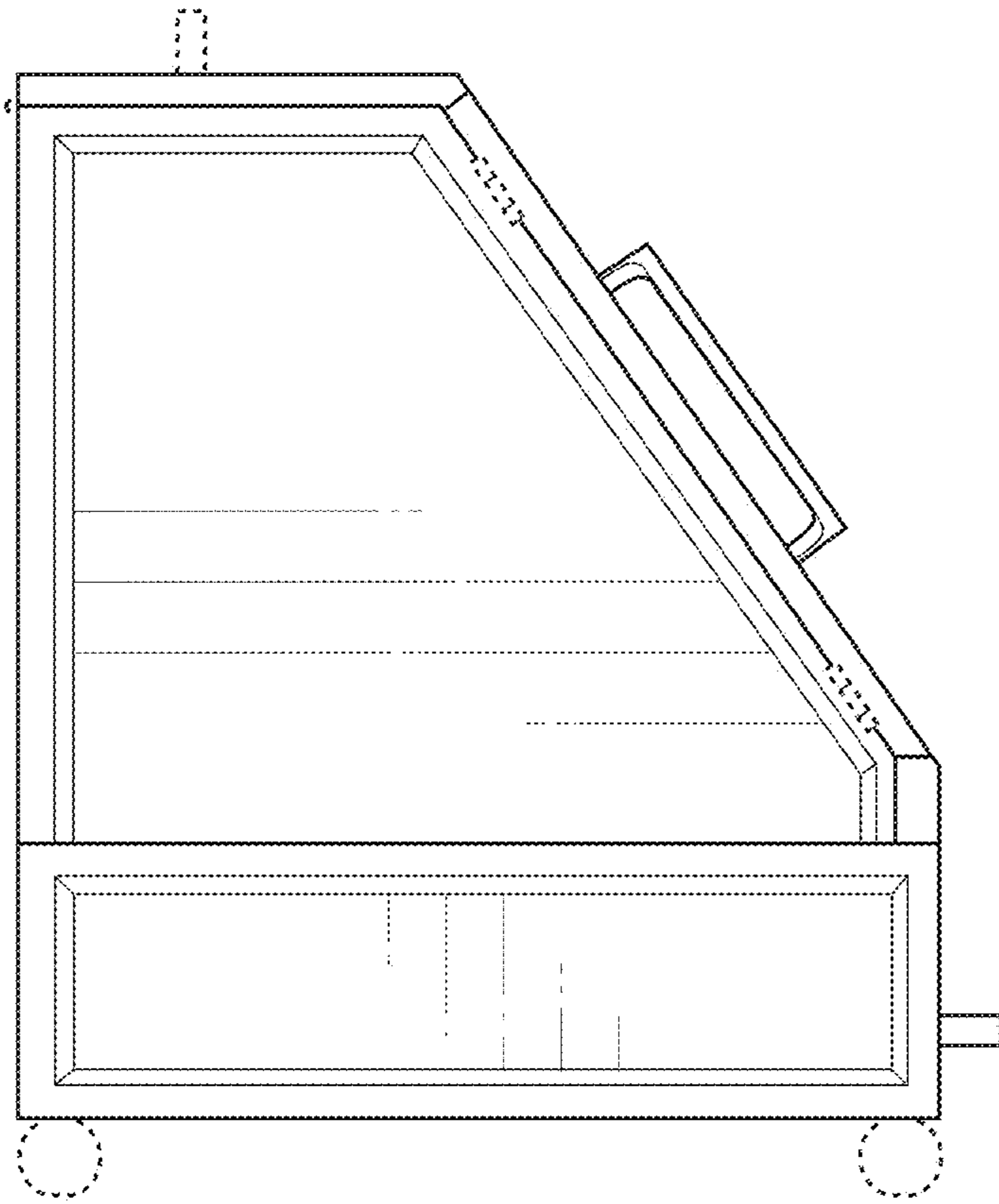


FIG. 4

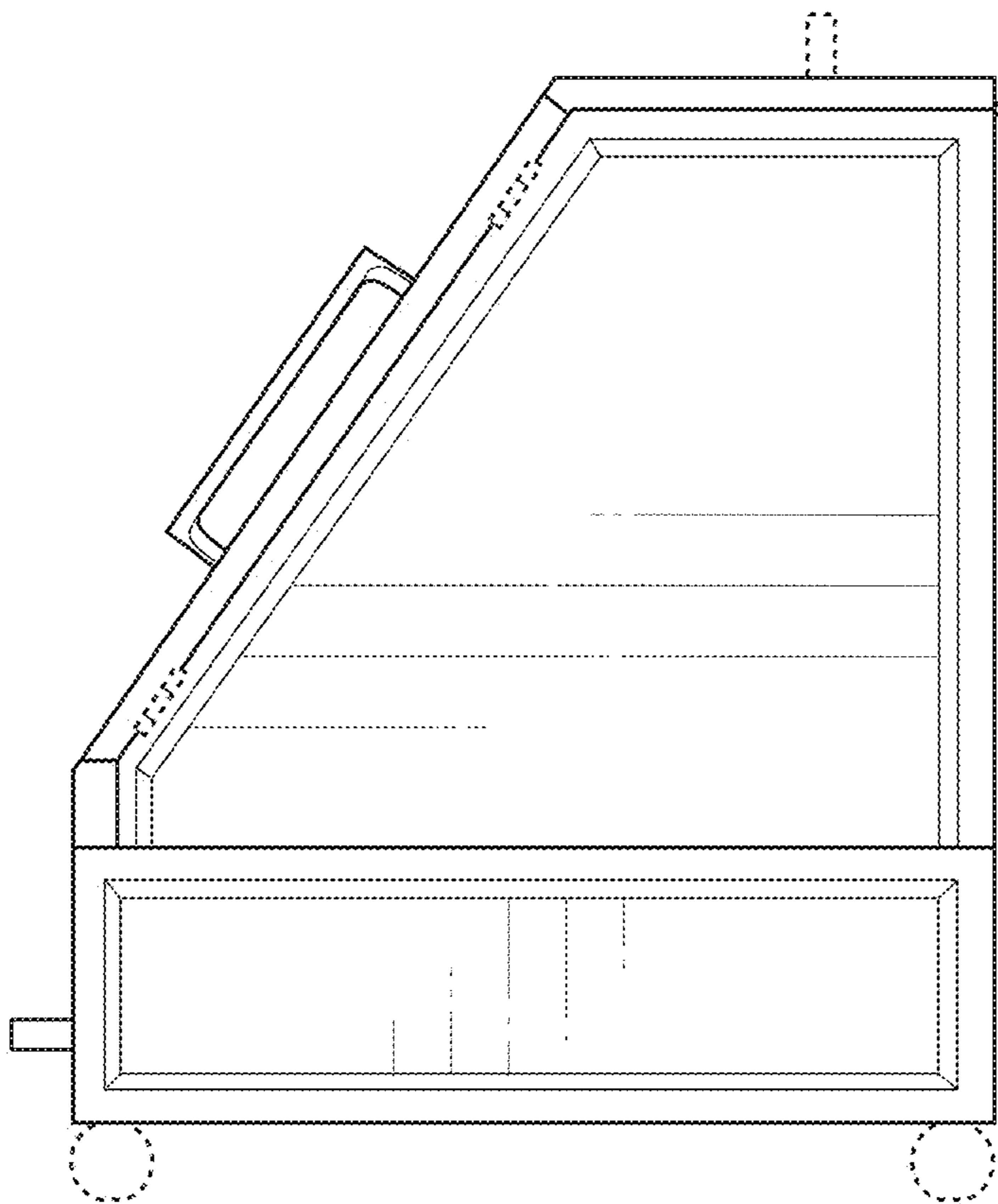


FIG. 5

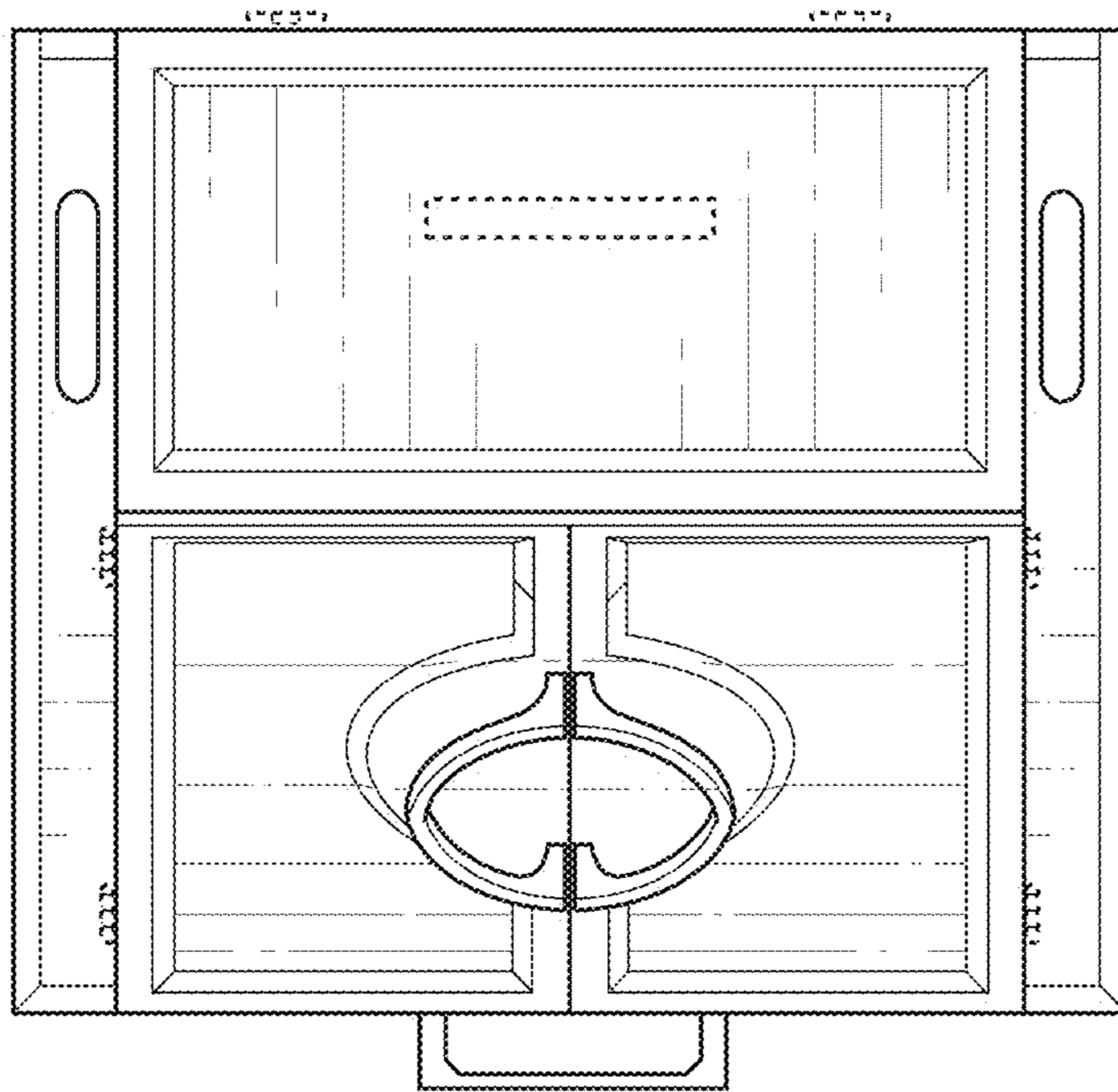


FIG. 6

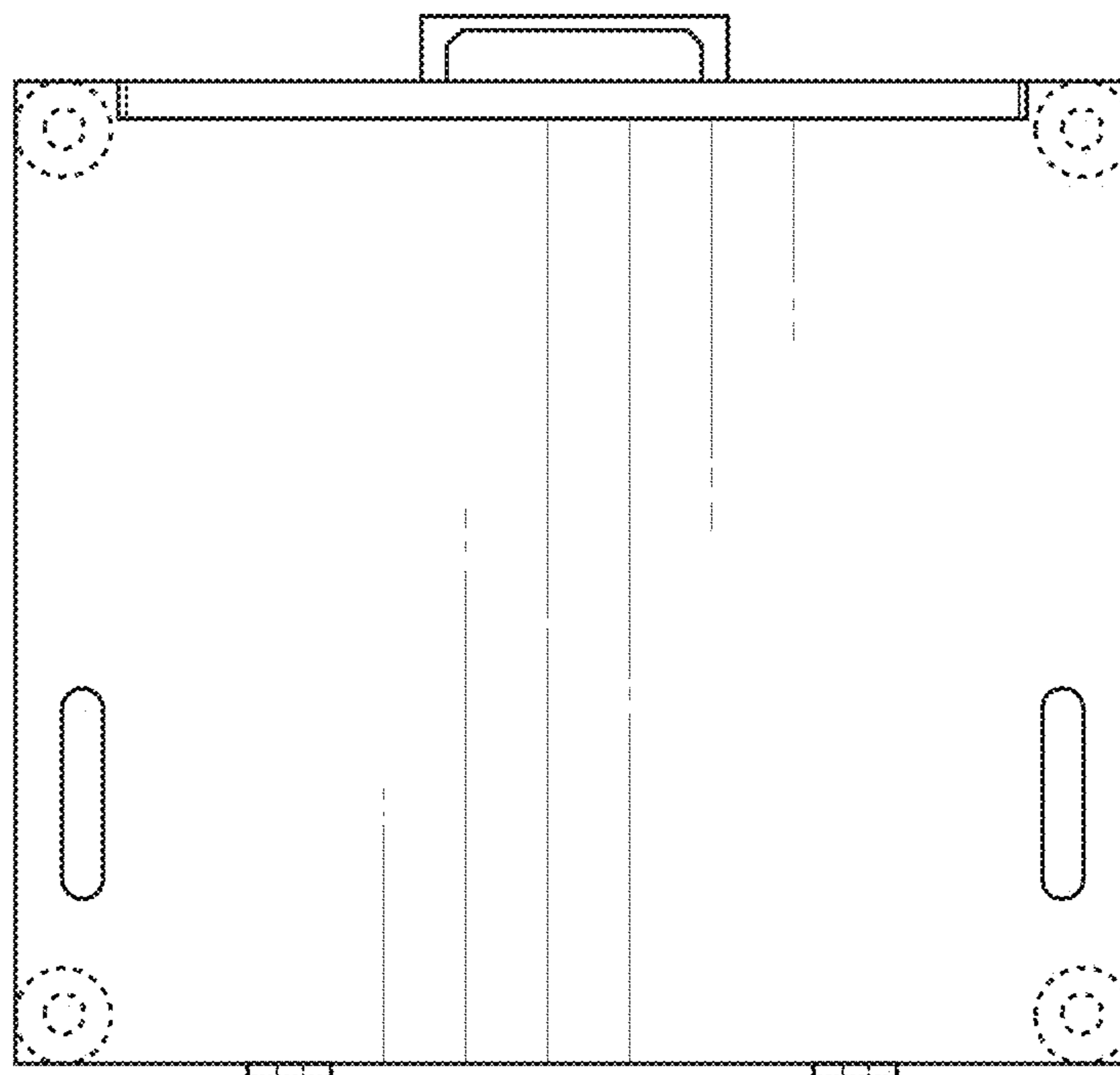


FIG. 7

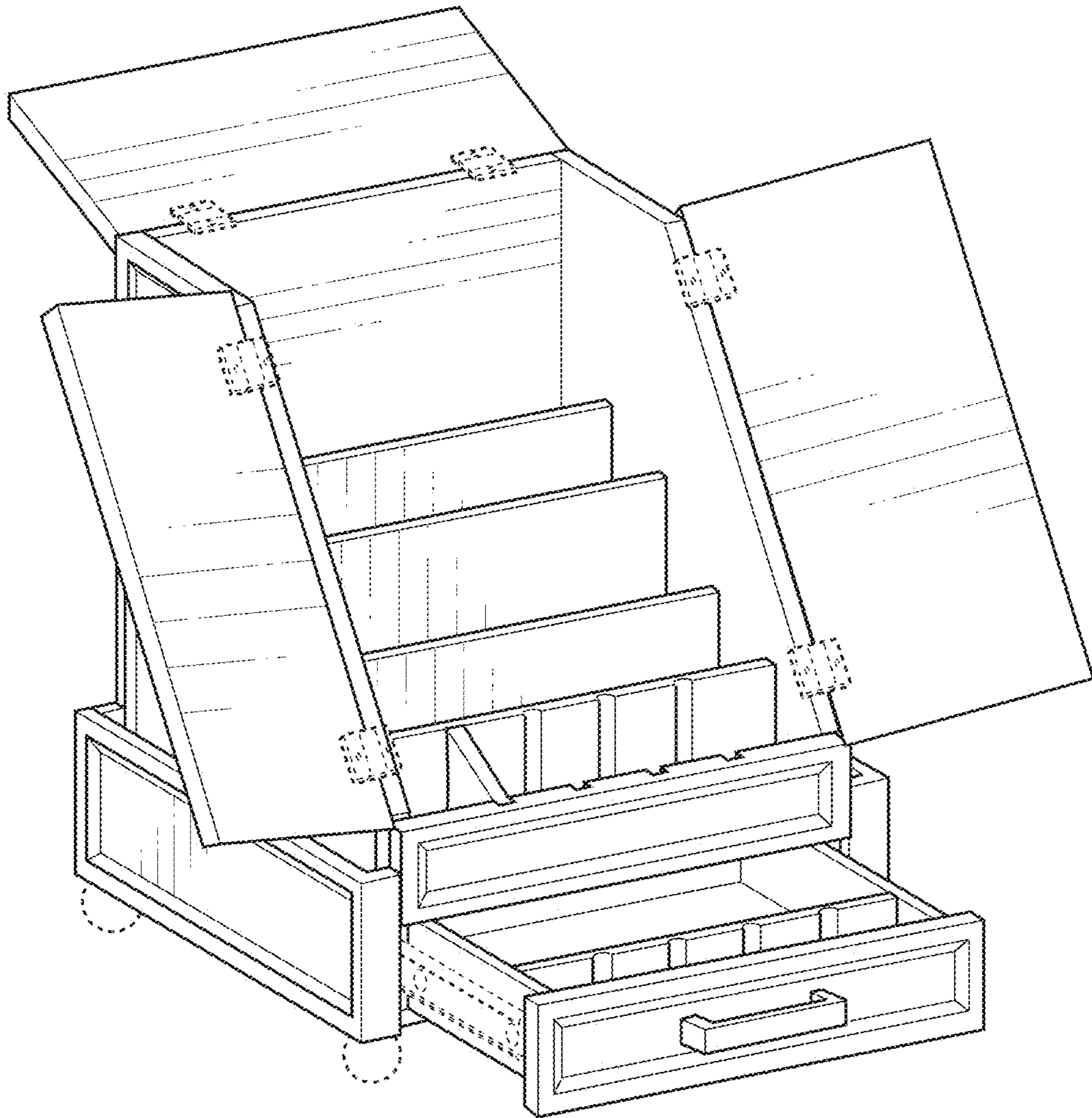


FIG. 8