



US00D959549S

(12) **United States Design Patent** (10) **Patent No.:** **US D959,549 S**
Busam et al. (45) **Date of Patent:** **** Aug. 2, 2022**

(54) **BINDER WITH THREE HOLE PUNCH**

(71) Applicant: **ACCO Brands Corporation**, Lake Zurich, IL (US)

(72) Inventors: **Edward P. Busam**, Mason, OH (US); **Jeff Akins**, Springboro, OH (US)

(73) Assignee: **ACCO Brands Corporation**, Lake Zurich, IL (US)

(**) Term: **15 Years**

(21) Appl. No.: **29/738,820**

(22) Filed: **Jun. 19, 2020**

(51) **LOC (13) Cl.** **19-04**

(52) **U.S. Cl.**
USPC **D19/26**

(58) **Field of Classification Search**
USPC D19/26, 27, 32, 33, 34, 34.1-34.5, 124, D19/100, 86, 2, 3, 91; D3/303, 227, 900, D3/248; D6/626

(Continued)

(56) **References Cited**

U.S. PATENT DOCUMENTS

1,142,032 A 6/1915 Faifer
2,139,159 A 12/1938 Hammen

(Continued)

FOREIGN PATENT DOCUMENTS

DE 3130055 A1 * 3/1983 B26F 1/36
FR 1390060 A * 2/1965 B42F 13/404

(Continued)

OTHER PUBLICATIONS

Target. Link: <https://www.target.com/p/1-5-34-ring-three-hole-punch-binder-five-star-colors-may-vary/-/A-78802630>. visited Jan. 4, 2022. 1.5" Ring Three-Hold Punch Binder (Year: 2022).*

(Continued)

Primary Examiner — Lauren D McVey

(74) *Attorney, Agent, or Firm* — Fitch, Even, Tabin & Flannery LLP

(57) **CLAIM**

The ornamental design for a binder with three hole punch, as shown and described.

DESCRIPTION

FIG. 1 is a top perspective view of a binder with three hole punch shown with the binder in an open configuration and the three hole punch in a closed configuration;

FIG. 2 is an enlarged top perspective view of the encircled portion of FIG. 1;

FIG. 3 is an enlarged top perspective view of the encircled portion of FIG. 1 shown with the three hole punch in an open configuration;

FIG. 4 is an enlarged left side elevation view of the encircled portion of FIG. 1;

FIG. 5 is an enlarged right side elevation view of the encircled portion of FIG. 1;

FIG. 6 is an enlarged front elevation view of the encircled portion of FIG. 1;

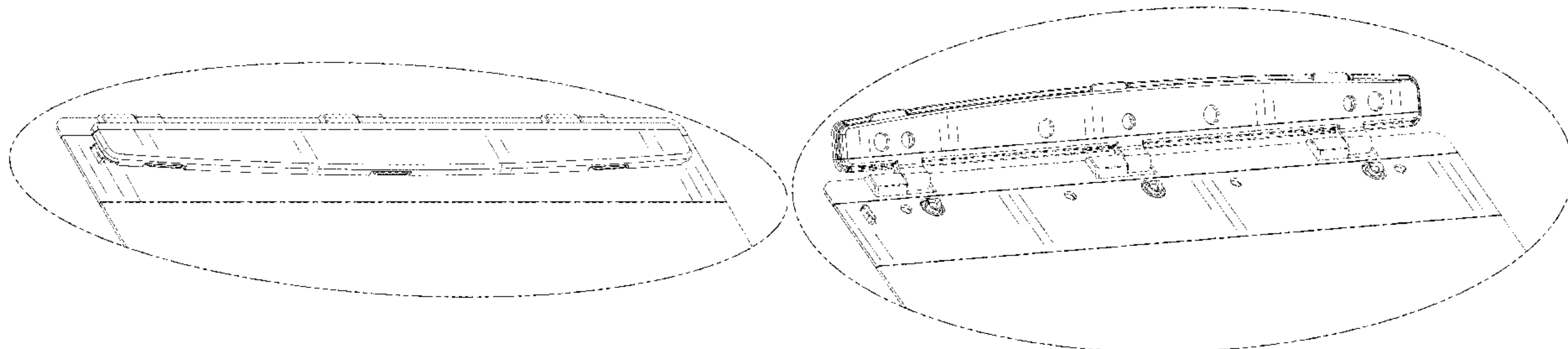
FIG. 7 is an enlarged rear elevation view of the encircled portion of FIG. 1;

FIG. 8 is an enlarged top plan view of the encircled portion of FIG. 1; and,

FIG. 9 is an enlarged bottom plan view of the encircled portion of FIG. 1.

The dot-dash broken lines and the evenly spaced broken lines immediately adjacent to the shaded areas in the drawings depict the bounds of the claimed design, while all other evenly spaced broken lines are directed to environment and form no part of the claimed design. In addition, the dot-dot-dash broken lines indicating the enlargement portion of the design forms no part of the claimed design.

1 Claim, 7 Drawing Sheets



(58) **Field of Classification Search**

CPC B42F 17/00; B42F 19/00; B42F 21/00;
 B42F 21/02; B42F 23/00; B42F 15/0011;
 B42F 15/0017; B42F 15/0023; B42F
 15/007; B42F 15/0082; B42F 15/0088;
 B42F 15/0094; B42F 13/02; B42F 13/04;
 B42F 13/06; B42F 13/08; B42F 13/10;
 B42F 13/14; B42F 13/65; B42F 13/16;
 B42F 13/165; B42F 13/18; B42F 13/20;
 B42F 13/22; B42F 13/24; B42F 13/26;
 B42F 13/28; B42F 13/30; B42F 13/32;
 B42F 13/34; B42F 13/36; B42F 13/38;
 B42F 13/40; B42F 3/00; B42F 3/003;
 B42F 3/006; B42F 3/02; B42F 3/04;
 B42F 3/06; B42F 5/00; B42F 5/005;
 B42F 5/02; B42F 5/04; B42F 5/06; B42F
 13/12; G09F 5/00; G09F 5/02; G09F
 5/04; G09F 2005/041; G09F 5/042; B42D
 5/00

See application file for complete search history.

(56) **References Cited**

U.S. PATENT DOCUMENTS

2,445,440 A 7/1948 Klemm
 3,612,709 A * 10/1971 Miyamoto B42F 13/28
 402/2
 4,729,688 A * 3/1988 Manz B26F 1/32
 402/1
 4,749,297 A 6/1988 Roy
 5,340,229 A * 8/1994 Schwartzman B26F 1/36
 402/1

D354,770 S * 1/1995 Bedol D10/64
 5,403,108 A 4/1995 Karlis
 5,409,319 A * 4/1995 Bedol B42F 13/404
 30/123
 5,429,445 A 7/1995 Un-tae
 5,553,958 A * 9/1996 Bedol B42F 13/404
 402/1
 D396,245 S * 7/1998 Ng D10/71
 5,839,843 A 11/1998 Bedol
 6,200,057 B1 * 3/2001 Youngs B42F 13/12
 402/60
 6,261,020 B1 7/2001 Wyant
 6,705,793 B2 3/2004 Wyant
 D546,878 S * 7/2007 Bharna D19/26
 D606,585 S * 12/2009 Lapsker D19/26
 D629,842 S * 12/2010 Lapsker D19/26
 9,421,812 B2 8/2016 Jacobson
 2002/0064414 A1 * 5/2002 Wyant B42F 13/404
 402/4
 2011/0305499 A1 12/2011 Lorenzen

FOREIGN PATENT DOCUMENTS

FR 2545409 11/1984
 GB 2587439 A * 3/2021 B42F 13/22
 JP D1039920 * 4/2002
 JP 2016112876 6/2016
 WO 2004052658 6/2004
 WO WO-2006112736 A1 * 10/2006 B26F 1/36

OTHER PUBLICATIONS

Photographs of "Gizmos" binder, presently believed to be sold by Mead at least as of 1999 (4 pages).

* cited by examiner

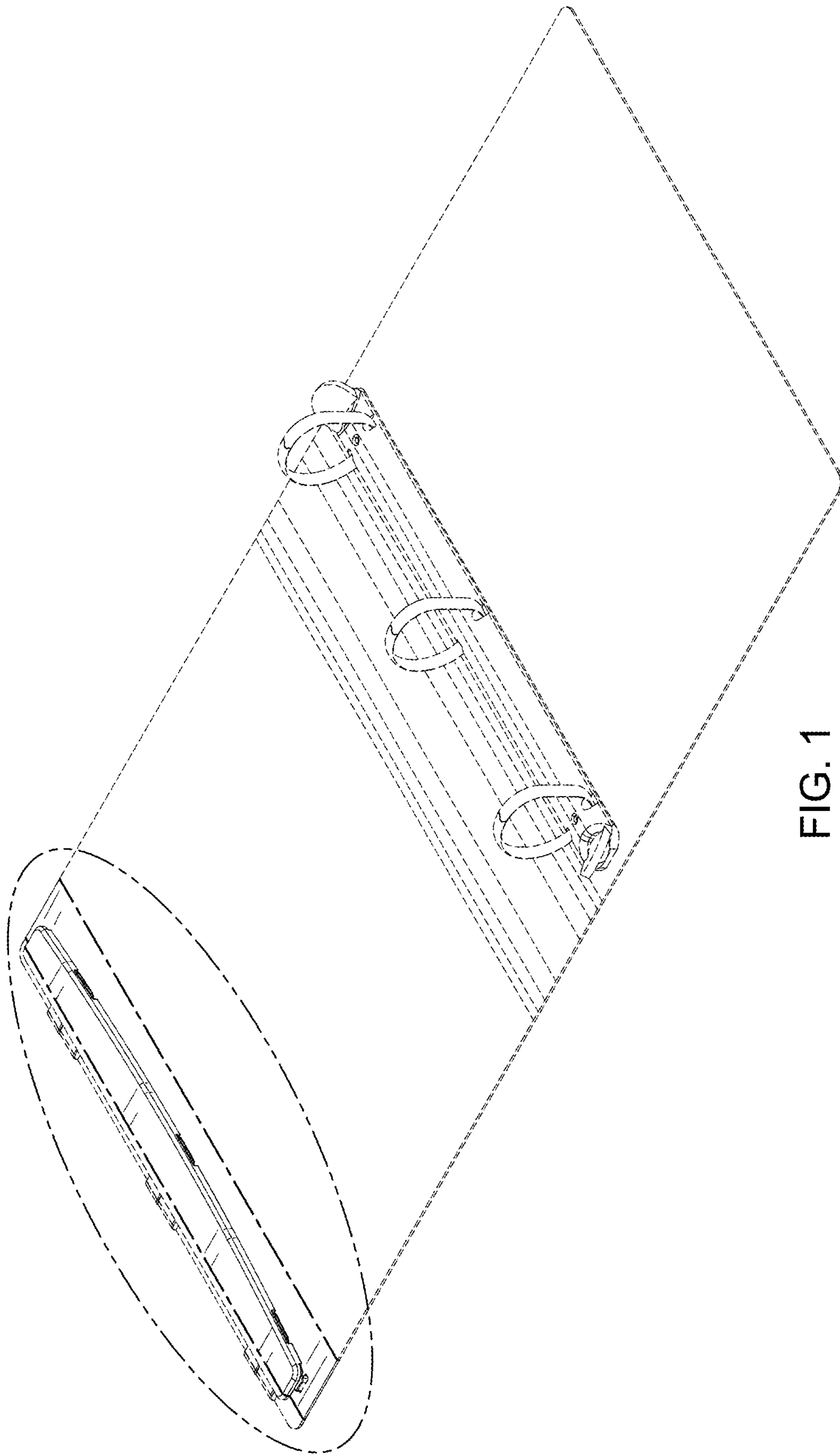


FIG. 1

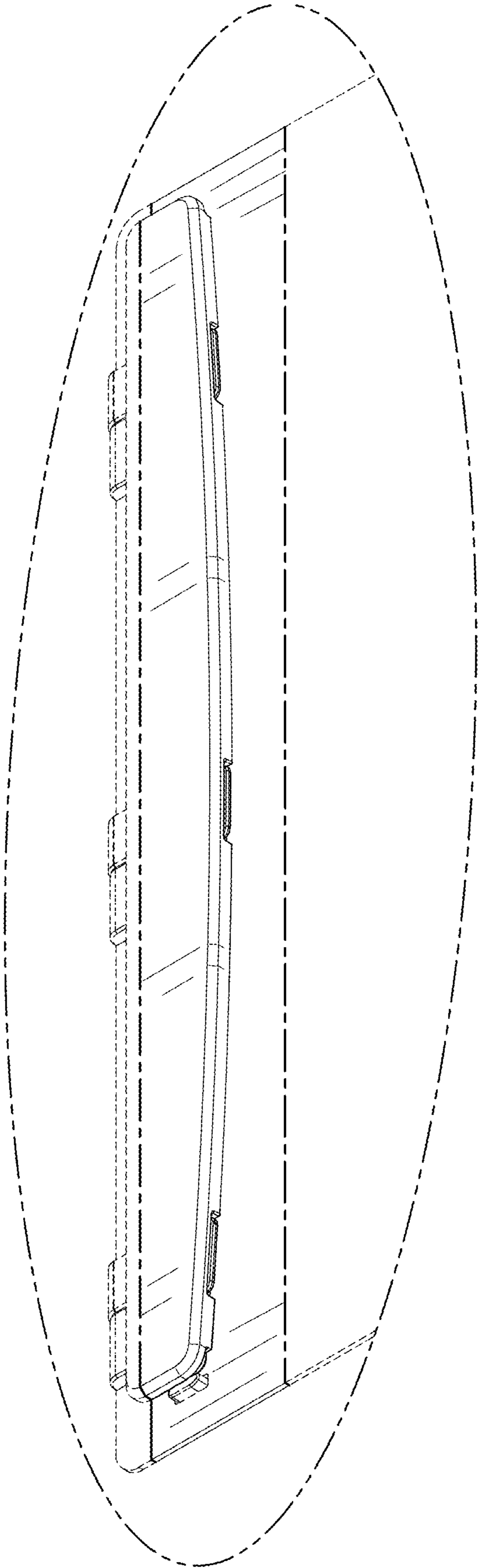


FIG. 2

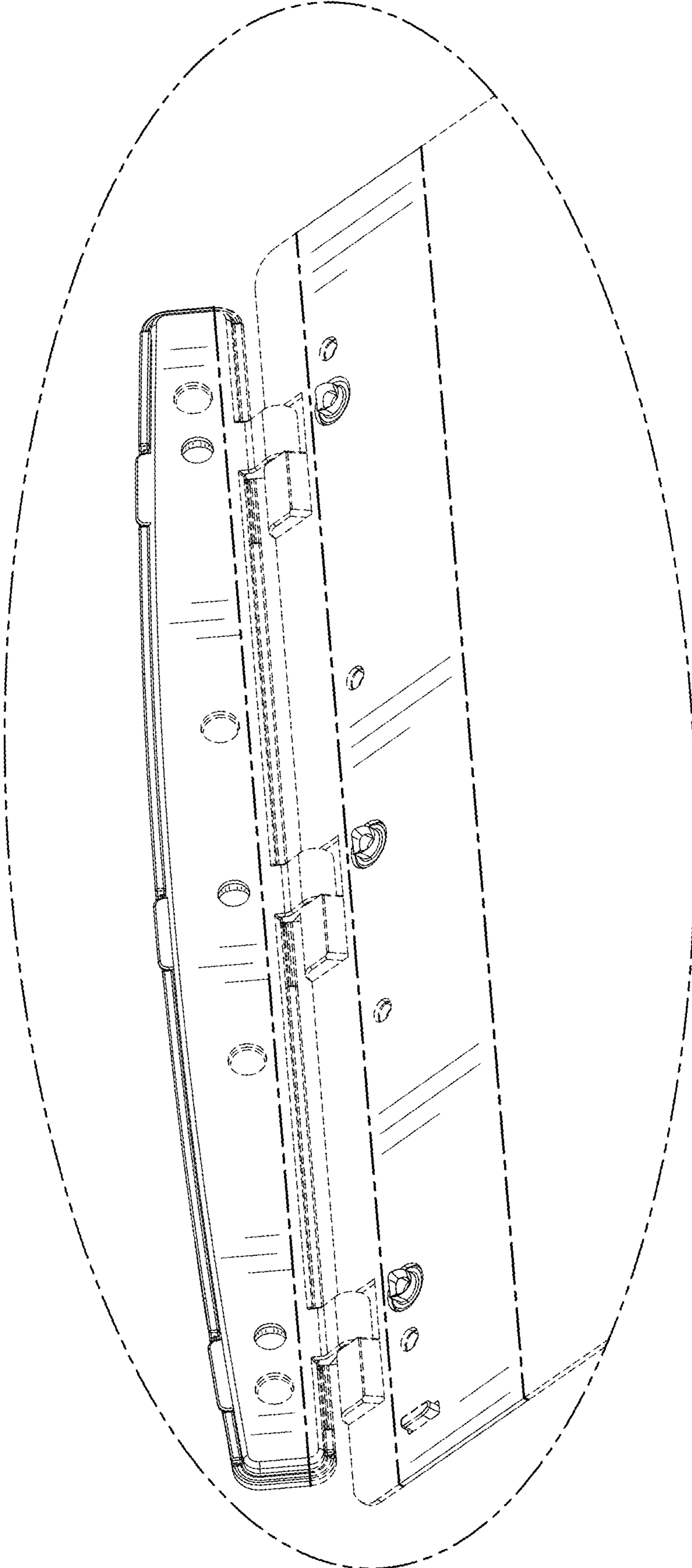


FIG. 3

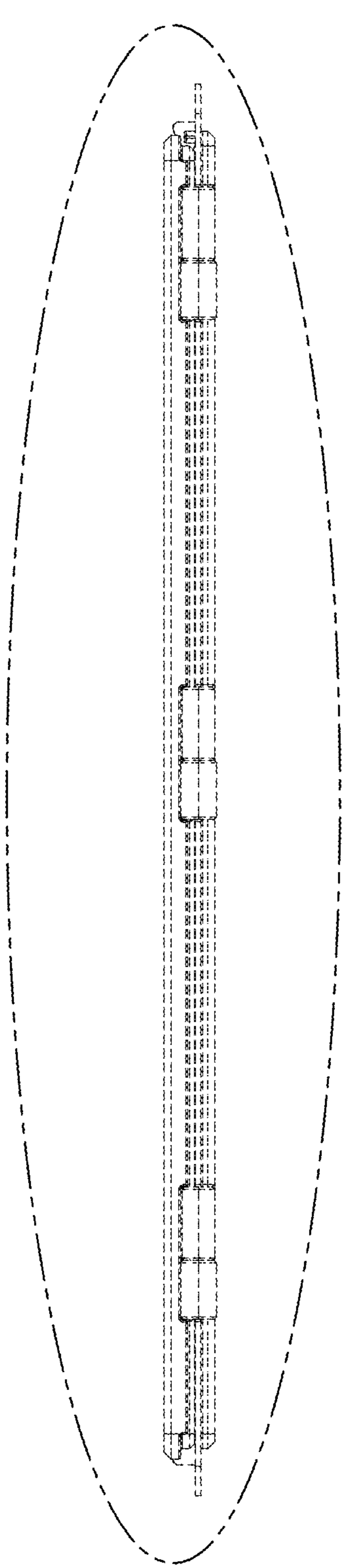


FIG. 4

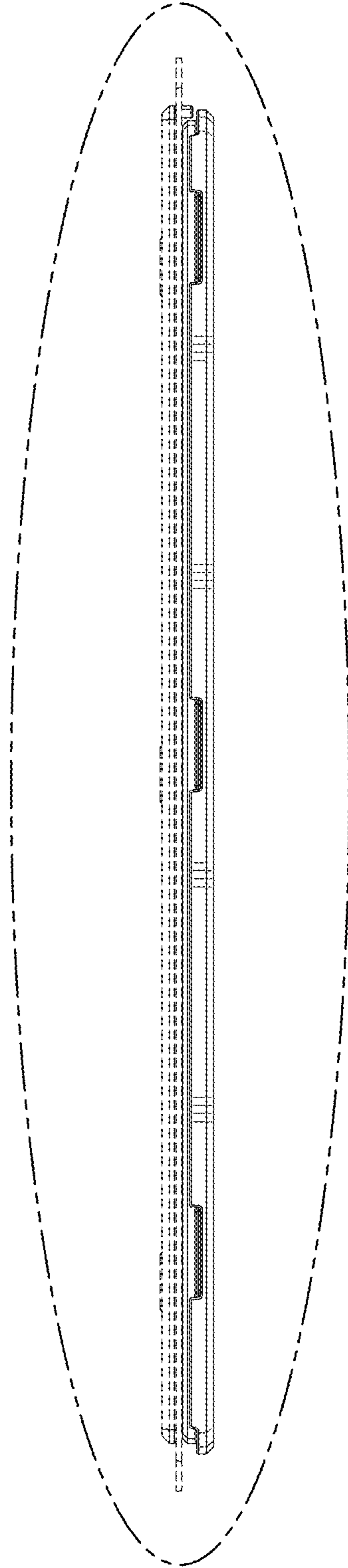


FIG. 5

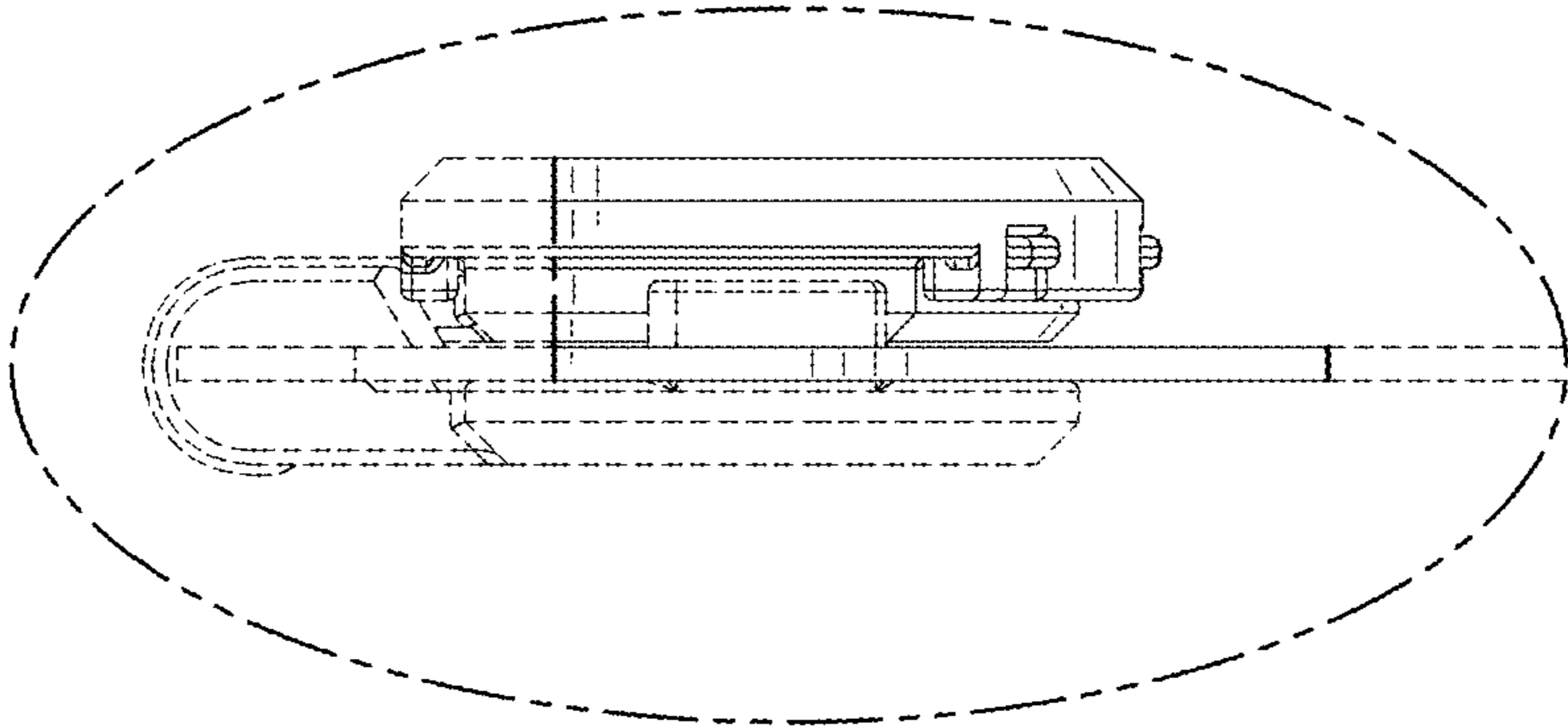


FIG. 6

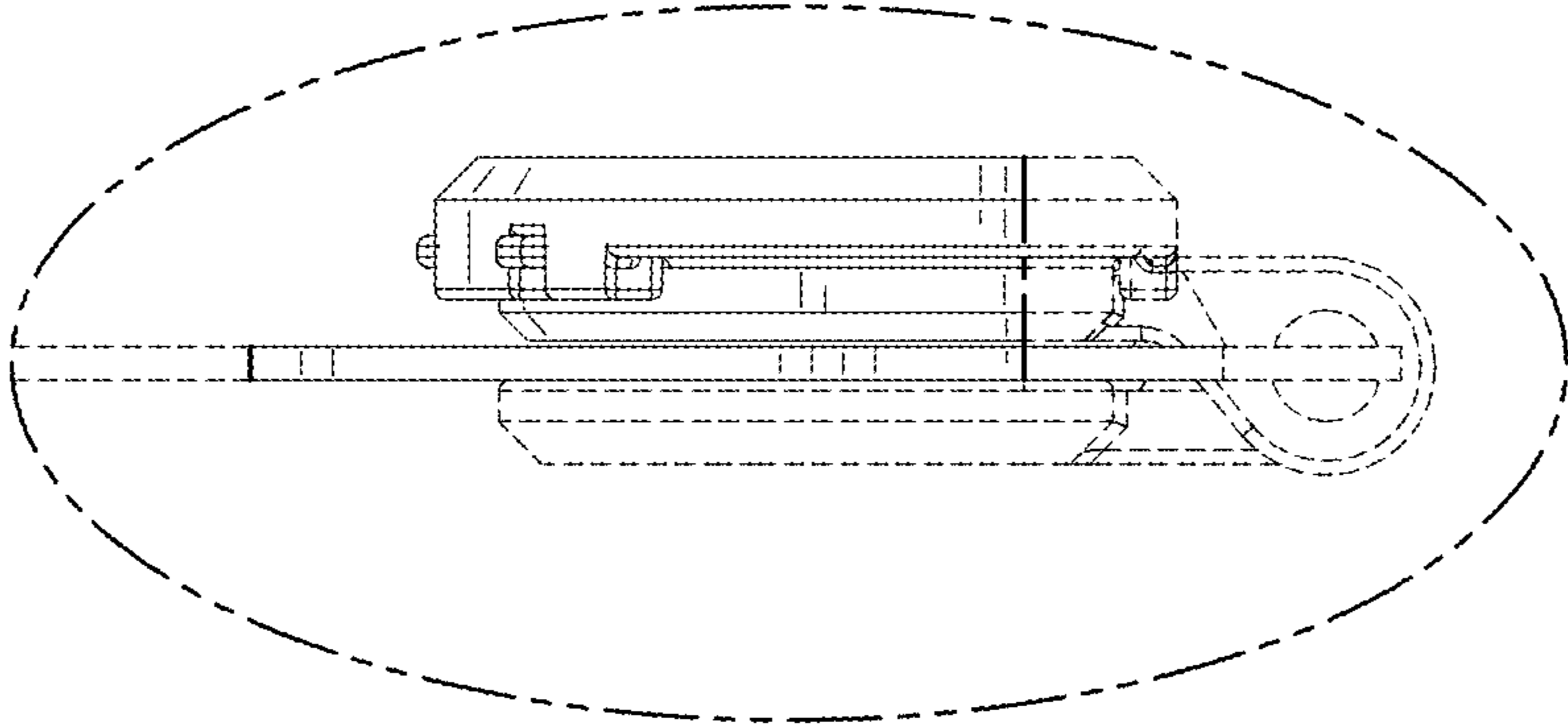


FIG. 7

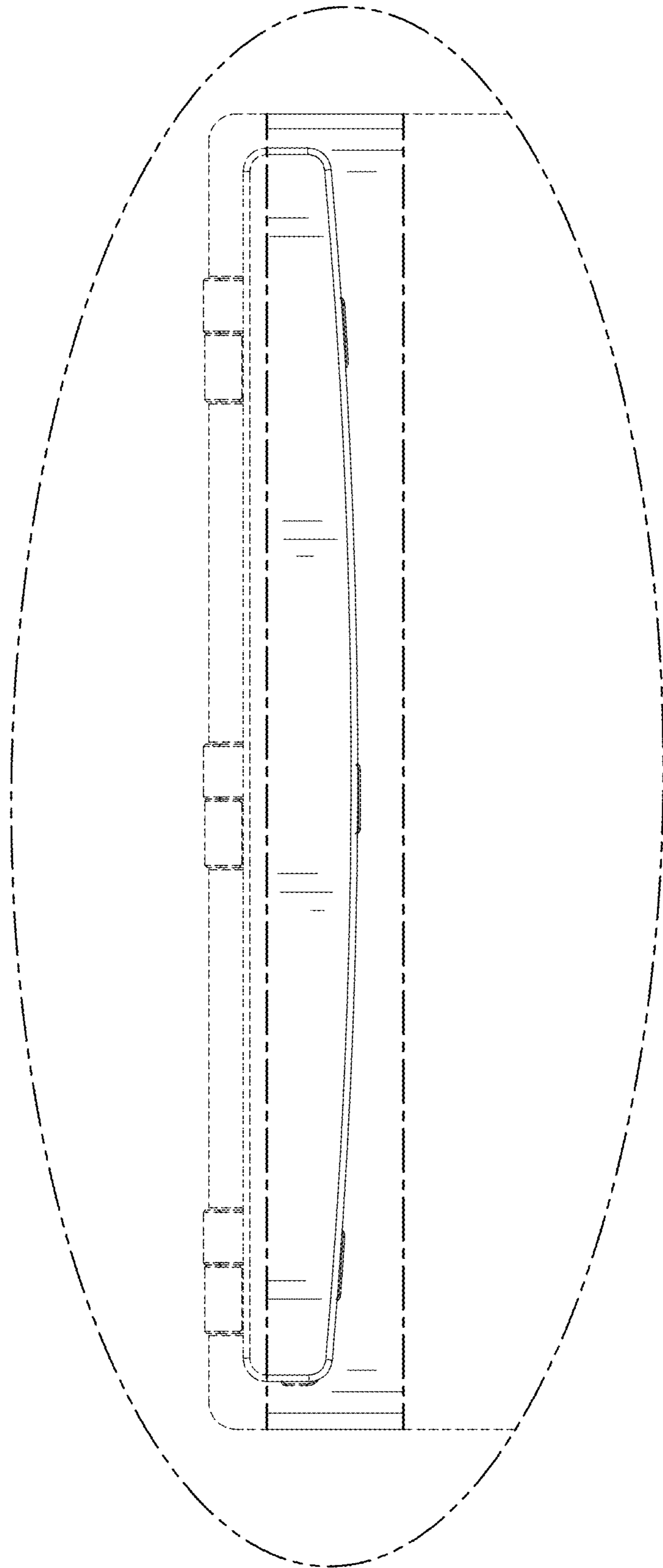


FIG. 8

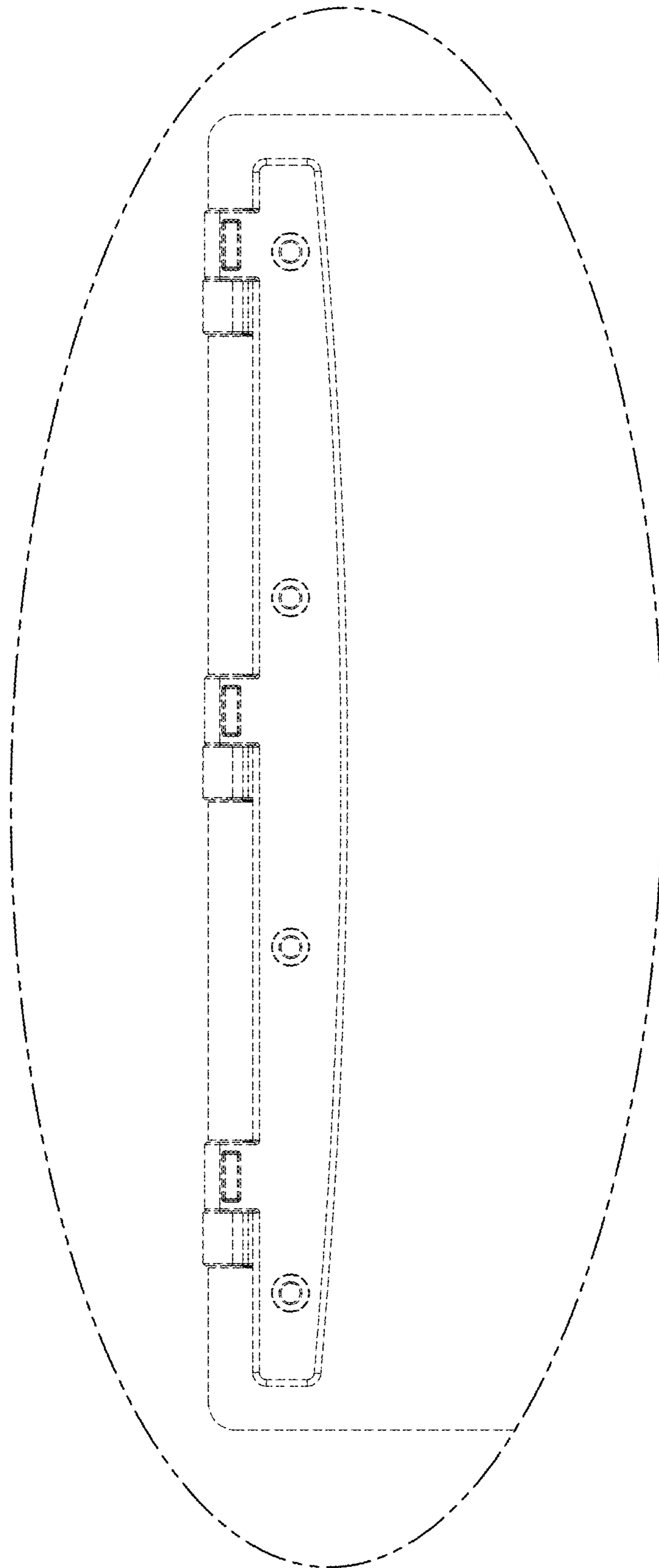


FIG. 9