



US00D959541S

(12) **United States Design Patent** (10) **Patent No.:** **US D959,541 S**  
**Trifilio** (45) **Date of Patent:** **\*\* Aug. 2, 2022**

- (54) **ADJUSTABLE GUITAR PEDALBOARD**
- (71) Applicant: **Chemistry Design Werks, LLC**, Saint Paul, MN (US)
- (72) Inventor: **Christian Richard Trifilio**, Saint Paul, MN (US)
- (73) Assignee: **Chemistry Design Werks, LLC**, Saint Paul, MN (US)
- (\*\*) Term: **15 Years**
- (21) Appl. No.: **29/812,805**
- (22) Filed: **Oct. 25, 2021**

- D934,336 S \* 10/2021 Trifilio ..... D17/20
- D934,337 S \* 10/2021 Trifilio ..... D17/20
- D934,948 S \* 11/2021 Trifilio ..... D17/20
- 2020/0294480 A1 \* 9/2020 Trifilio ..... G10H 1/0008
- 2020/0372880 A1 \* 11/2020 Stanley ..... G10H 1/348

\* cited by examiner

*Primary Examiner* — R. Johnson

(74) *Attorney, Agent, or Firm* — Campbell IP Law LLC

(57) **CLAIM**

The ornamental design for an adjustable guitar pedalboard, as shown and described.

**DESCRIPTION**

FIG. 1 is a front perspective view of an adjustable guitar pedalboard showing my new design, with broken lines for the purpose of illustrating portions of the article that form no part of the design;  
 FIG. 2 is another front perspective view thereof;  
 FIG. 3 is a rear perspective view thereof;  
 FIG. 4 is a front view thereof;  
 FIG. 5 is a rear view thereof;  
 FIG. 6 is a left view thereof;  
 FIG. 7 is a right view thereof;  
 FIG. 8 is a top view thereof;  
 FIG. 9 is a bottom view thereof;  
 FIG. 10 is a front perspective view thereof, showing the design in an alternate position; and,  
 FIG. 11 is a front perspective view thereof, showing the design in an alternate position.

The broken lines in all accompanying Figures are for the purpose of illustrating portions of the article but form no part of the claimed design.

**1 Claim, 9 Drawing Sheets**

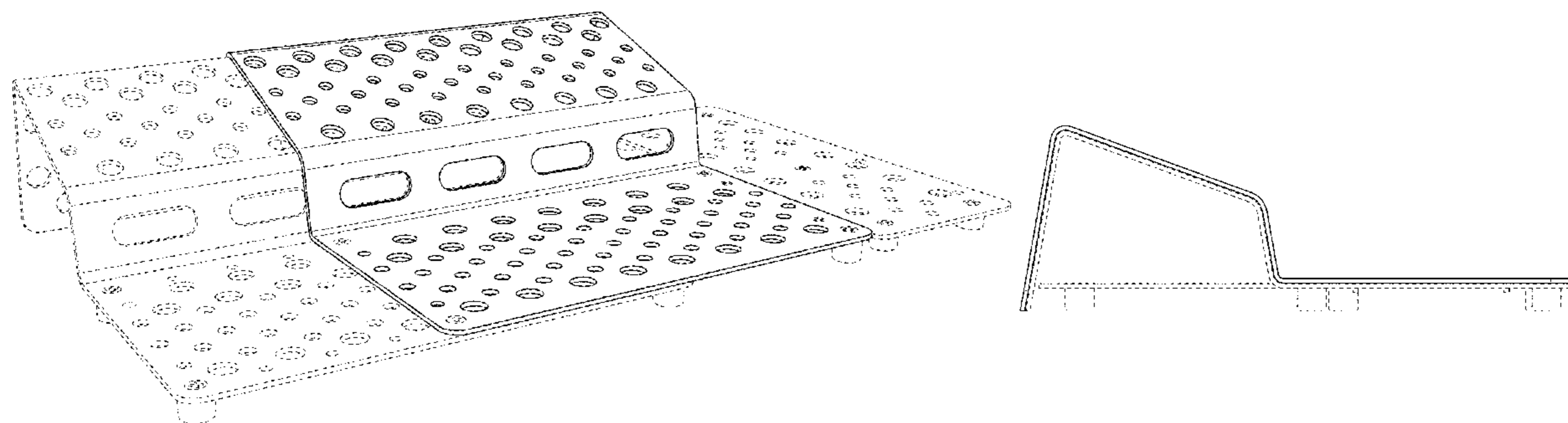
**Related U.S. Application Data**

- (63) Continuation of application No. 29/683,788, filed on Mar. 15, 2019, now Pat. No. Des. 934,336.
- (51) **LOC (13) Cl.** ..... **17-03**
- (52) **U.S. Cl.**  
USPC ..... **D17/20**
- (58) **Field of Classification Search**  
USPC ..... D17/20, 99; D13/162, 163, 167  
CPC .. G10D 13/11; G10D 99/00; G10H 2210/231;  
G10H 2210/265; G10H 1/02; A47C 16/02  
See application file for complete search history.

(56) **References Cited**

**U.S. PATENT DOCUMENTS**

- D815,682 S \* 4/2018 Trifilio ..... D17/20
- D824,993 S \* 8/2018 Trifilio ..... D17/20
- D832,334 S \* 10/2018 Kushner ..... D17/20
- D847,898 S \* 5/2019 Kushner ..... D17/20
- D862,577 S \* 10/2019 Lackner ..... D17/20
- D862,579 S \* 10/2019 Lackner ..... D17/20



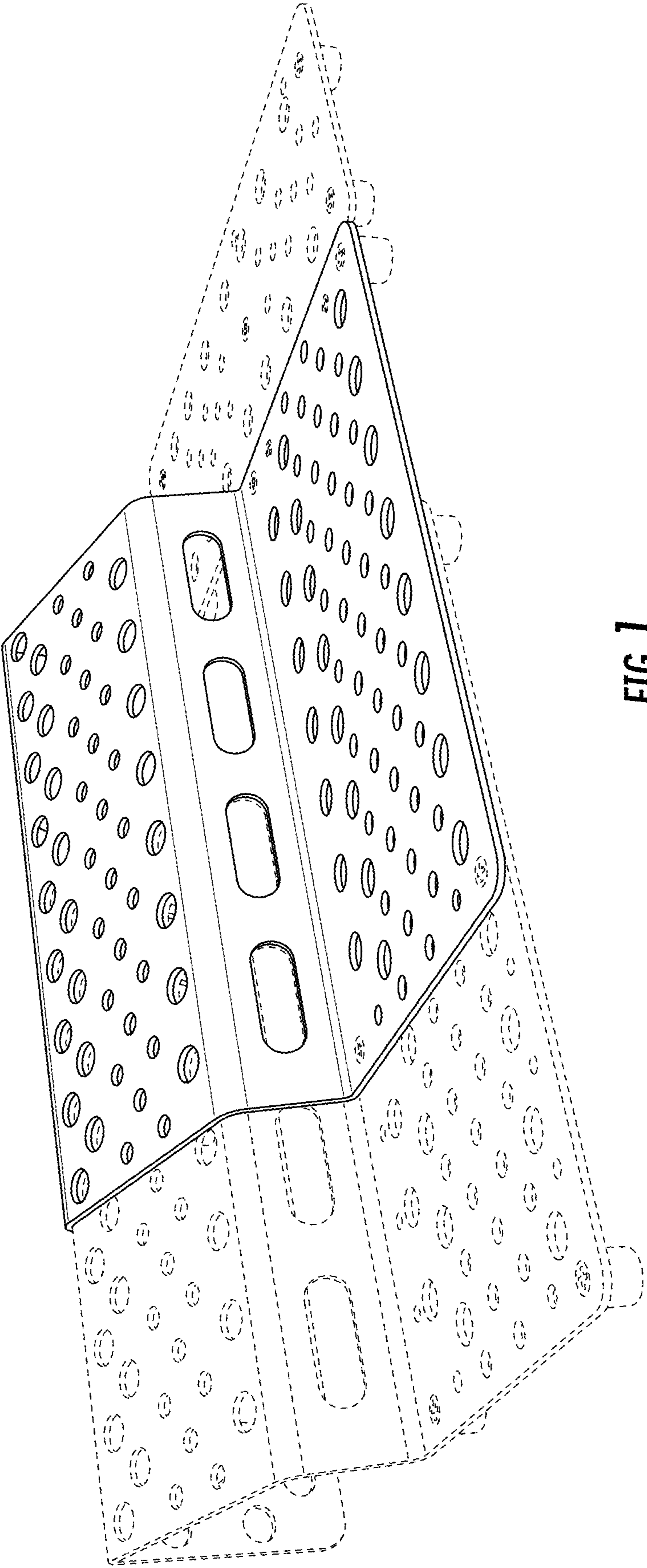


FIG. 1

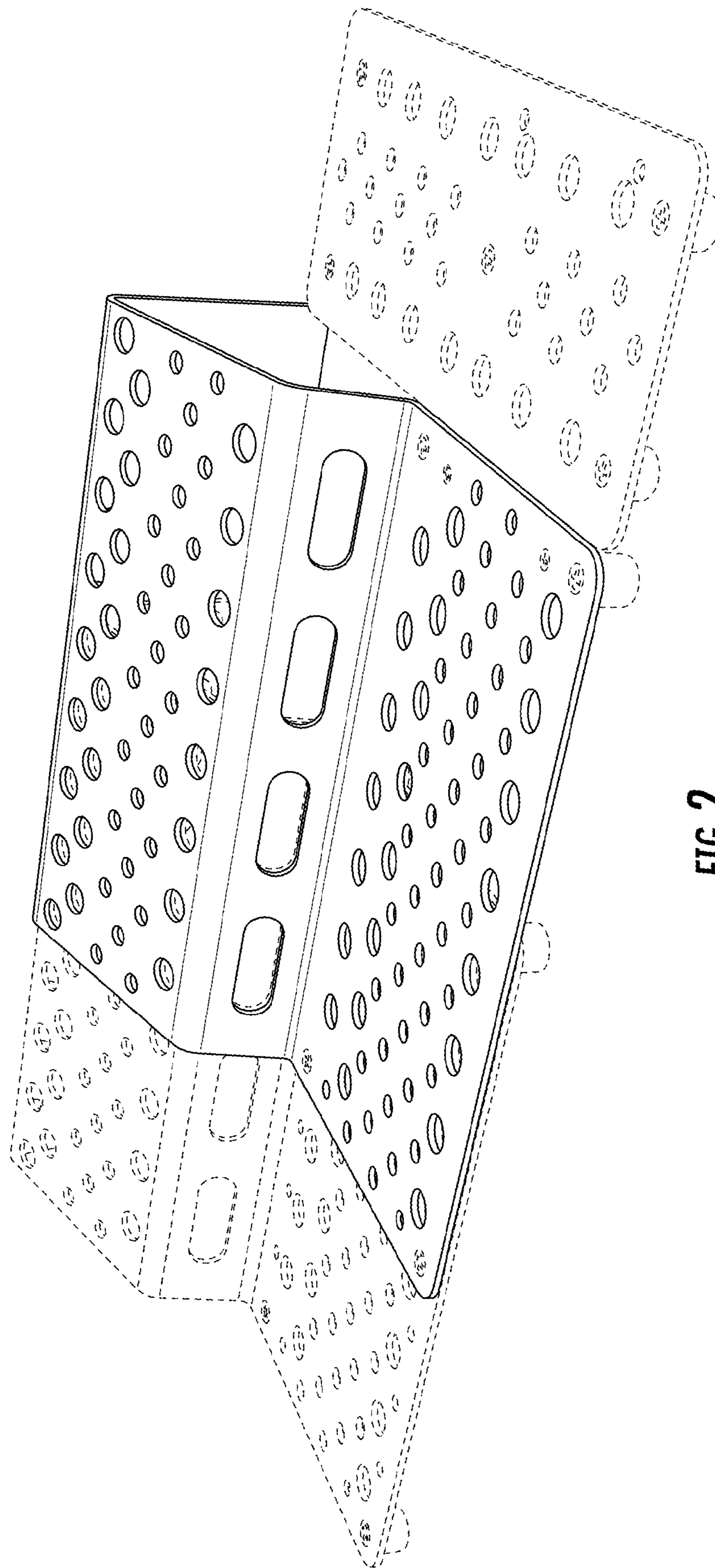


FIG. 2

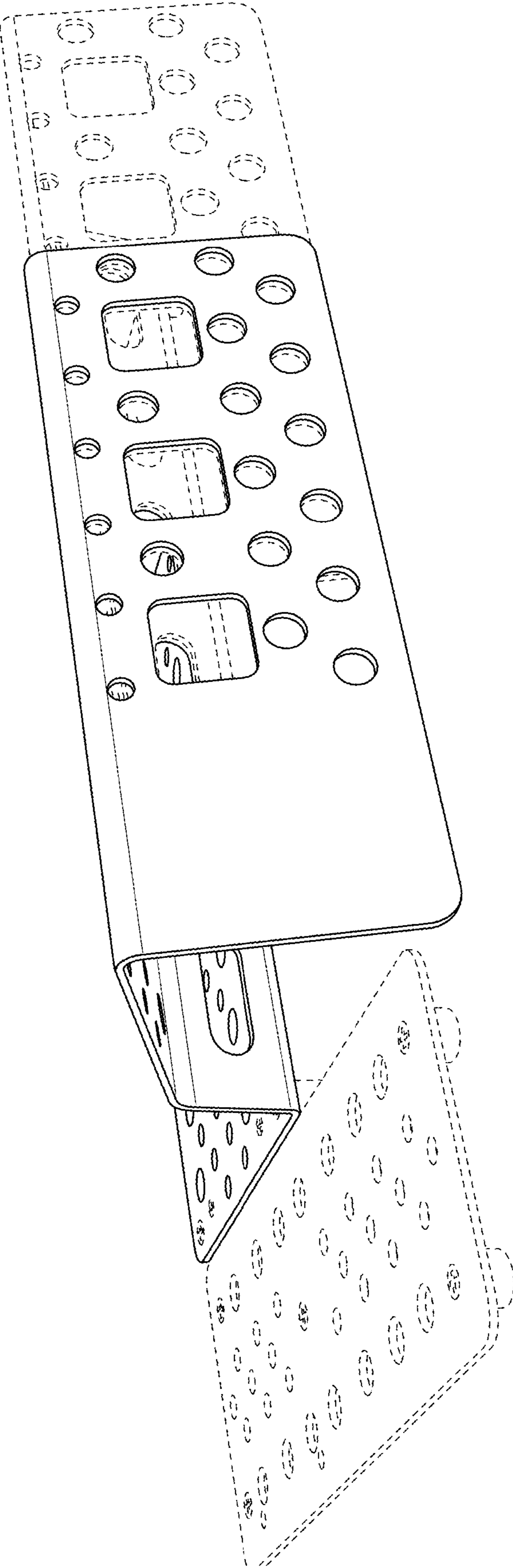


FIG. 3

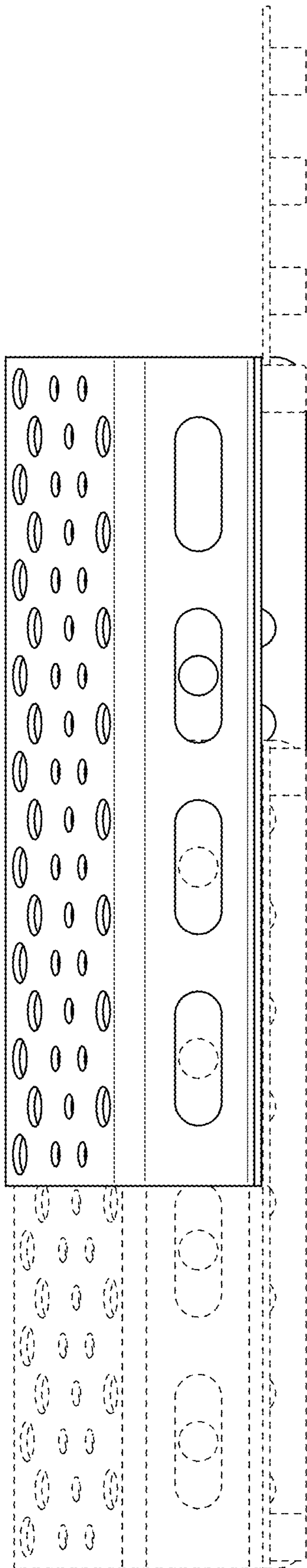


FIG. 4

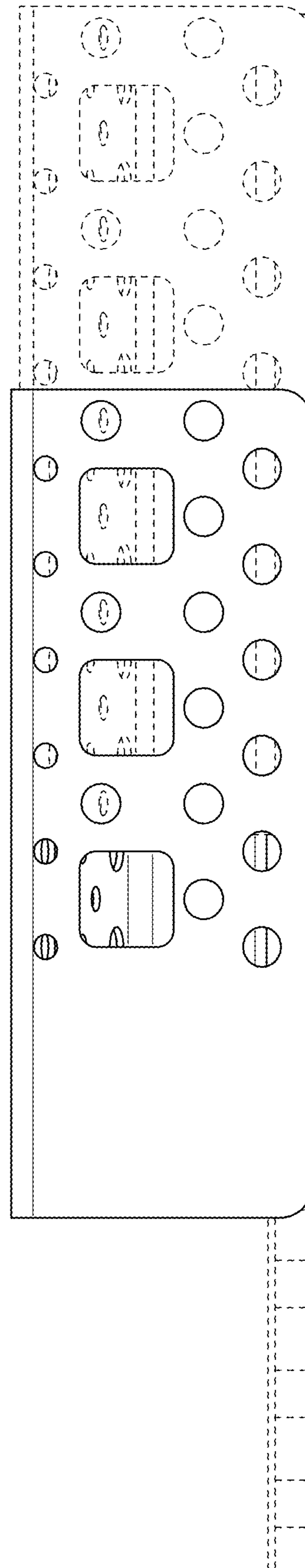
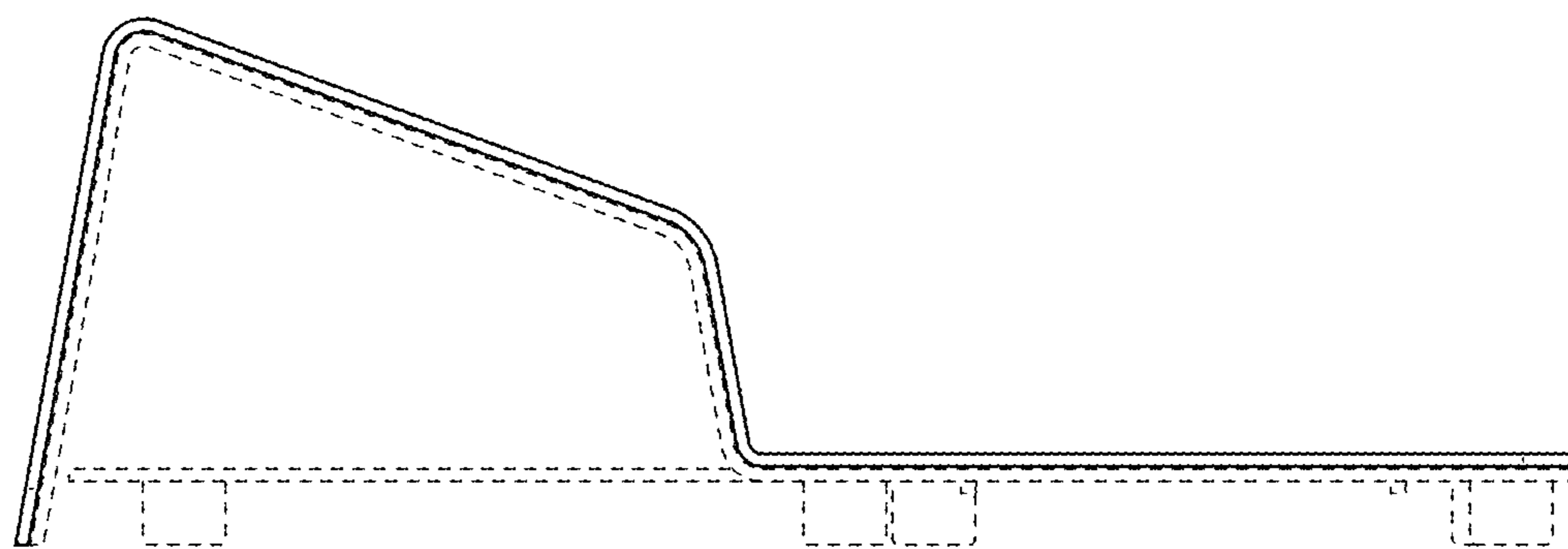
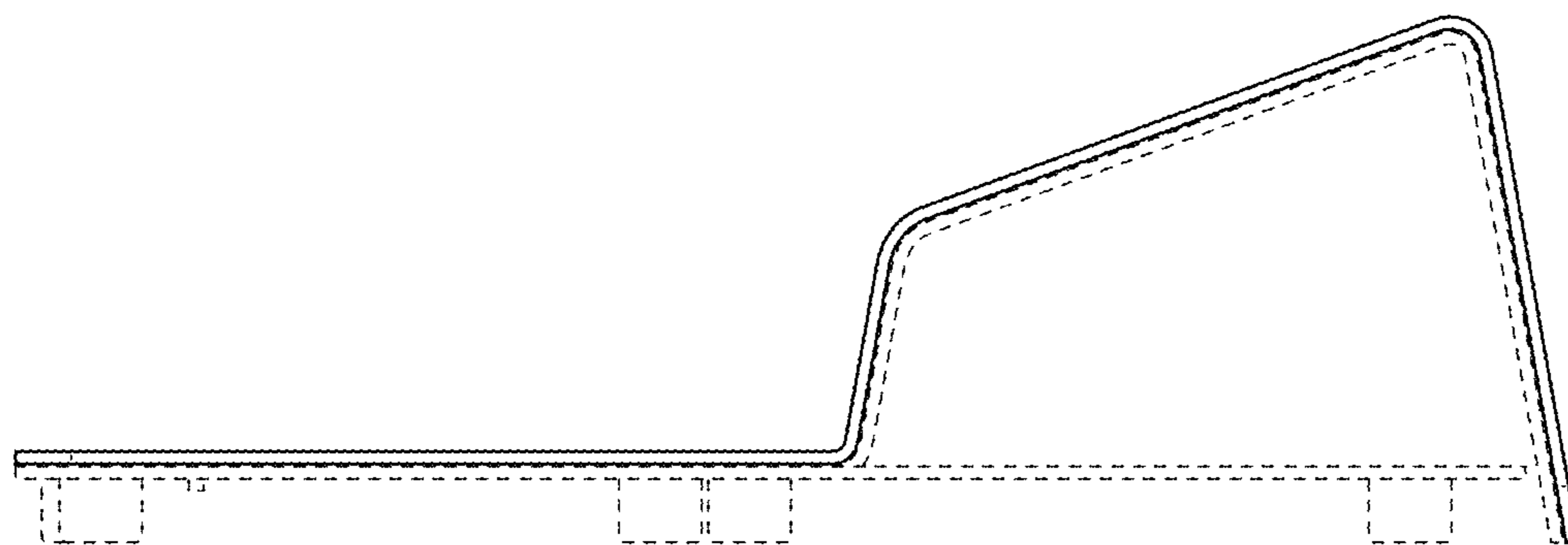


FIG. 5



**FIG. 6**



**FIG. 7**

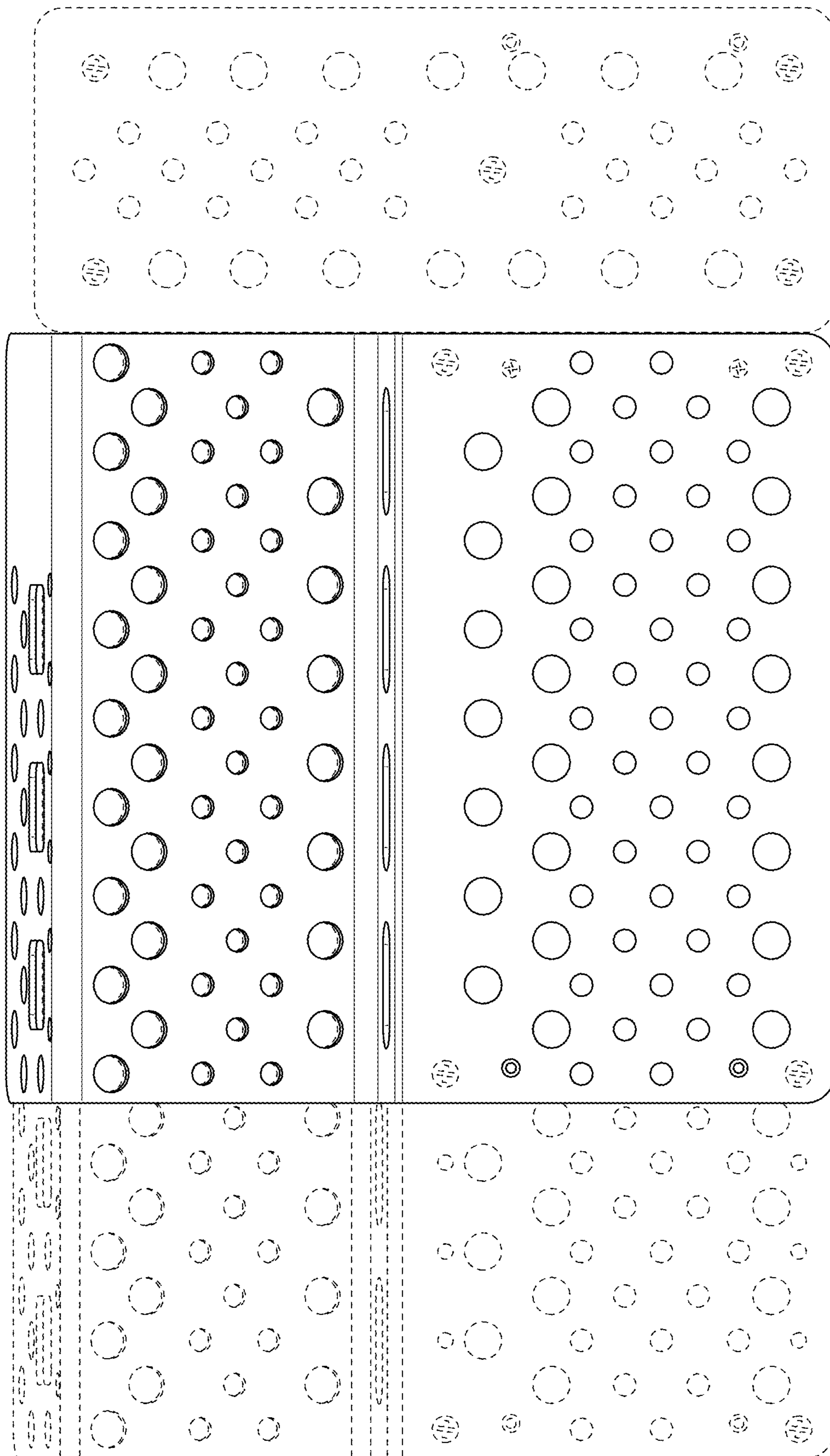


FIG. 8

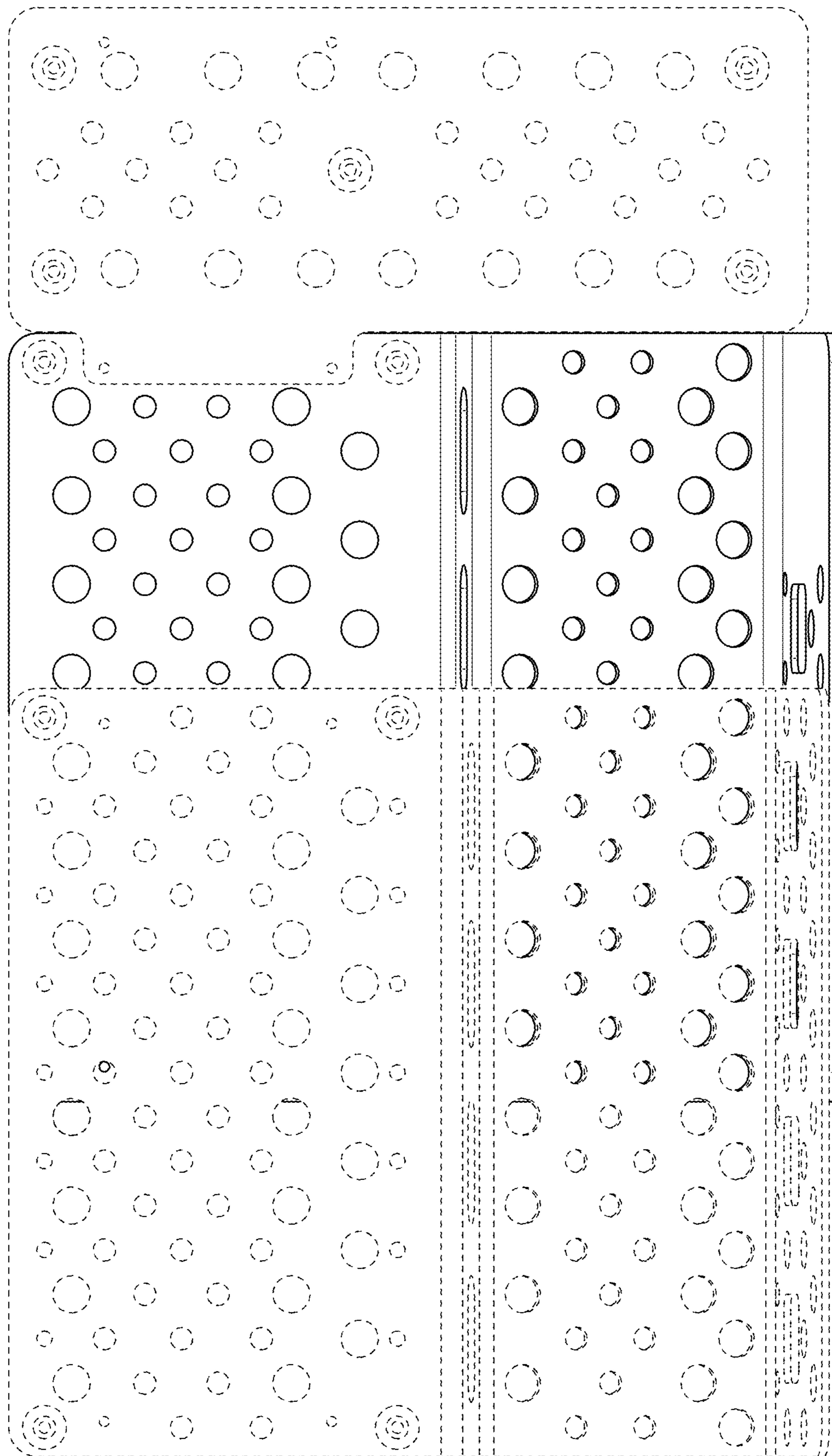


FIG. 9



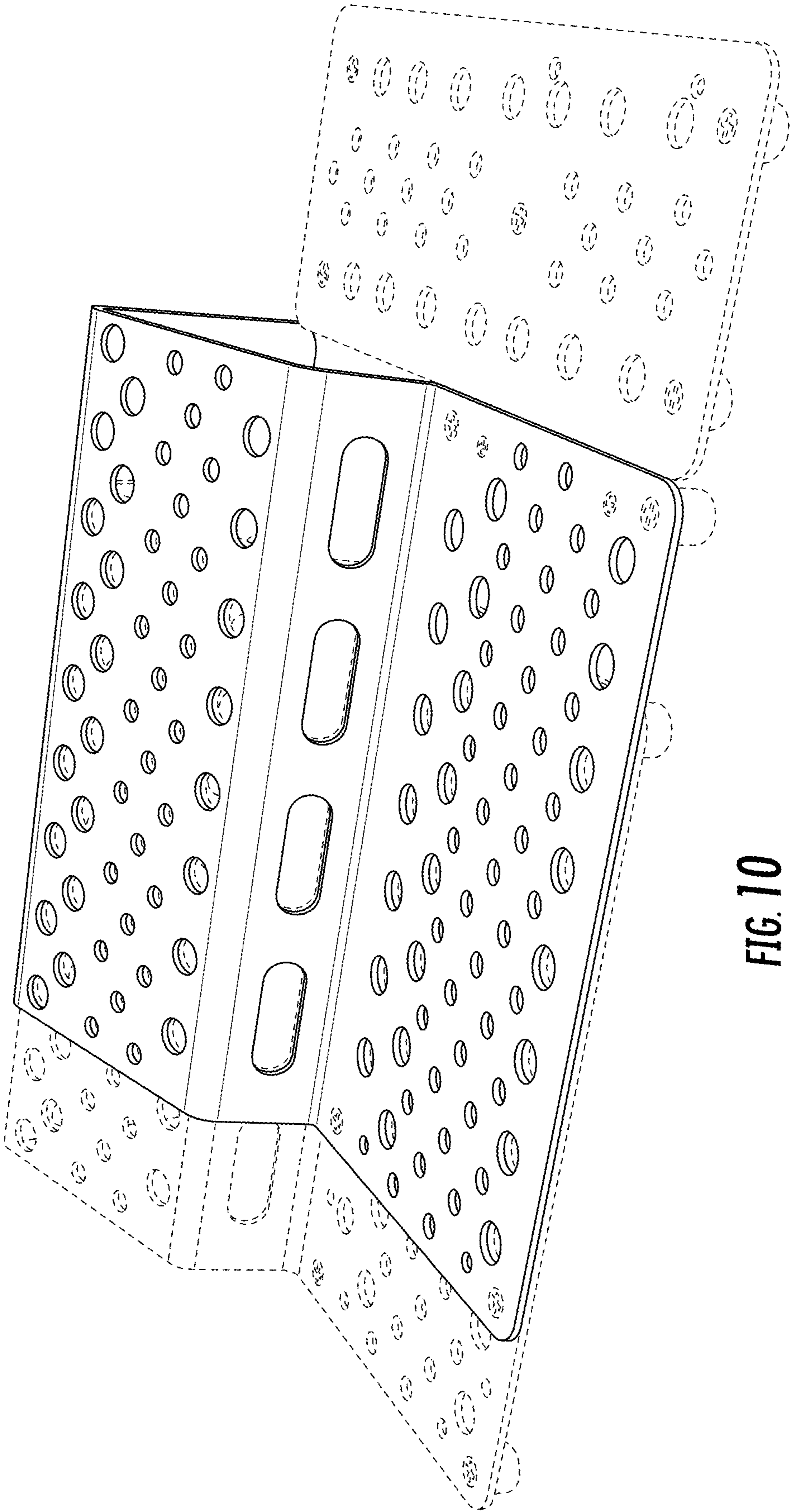


FIG. 10

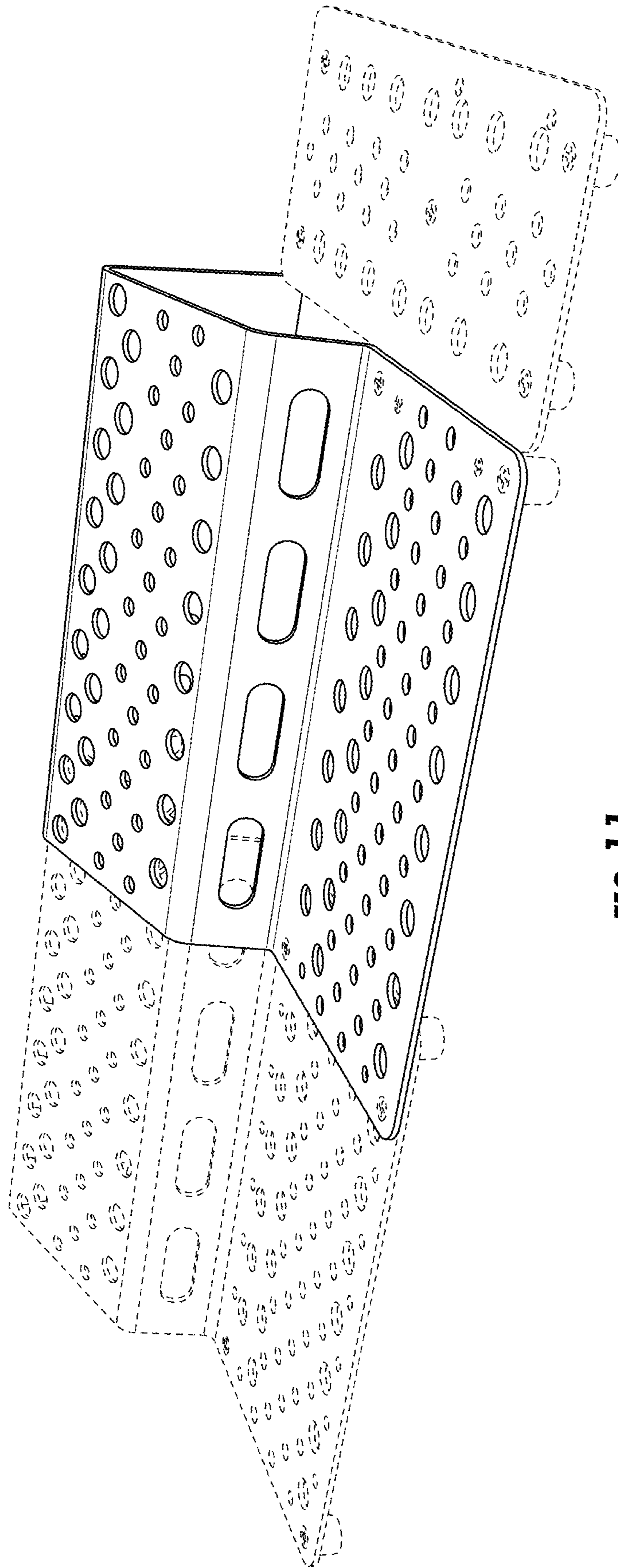


FIG. 11