

US00D959539S

(12) **United States Design Patent**  
**Lin**

(10) **Patent No.:** **US D959,539 S**  
(45) **Date of Patent:** **\*\* Aug. 2, 2022**

(54) **TRIPOD**

(71) Applicant: **YUEQING YOUYOU  
E-COMMERCE CO., LTD.**, Yueqing  
(CN)

(72) Inventor: **Dongdong Lin**, Yueqing (CN)

(73) Assignee: **YUEQING YOUYOU  
E-COMMERCE CO., LTD.**, Yueqing  
(CN)

(\*\*) Term: **15 Years**

(21) Appl. No.: **29/768,718**

(22) Filed: **Feb. 1, 2021**

(51) **LOC (13) Cl.** ..... **16-05**

(52) **U.S. Cl.**  
USPC ..... **D16/244**

(58) **Field of Classification Search**  
USPC ..... D8/354, 355, 363, 373, 382, 383, 394;  
D14/224; D16/219, 237-241, 243, 242,  
D16/244, 245-250  
CPC ... F16M 11/14; G03B 17/54; G02B 7/00-002  
See application file for complete search history.

(56) **References Cited**

**U.S. PATENT DOCUMENTS**

D263,147 S *	2/1982	Iwasaki	.....	D16/244
6,983,916 B2 *	1/2006	Raynaud	.....	F16M 11/2078 248/163.2
D807,421 S *	1/2018	Yin	.....	D16/244
D860,299 S *	9/2019	Li	.....	D16/244
D864,282 S *	10/2019	Liu	.....	D16/244
D888,814 S *	6/2020	Chen	.....	D16/244
D895,716 S *	9/2020	Chen	.....	D16/244
D907,105 S *	1/2021	Ye	.....	D16/244
D930,063 S *	9/2021	Li	.....	D16/244
11,221,544 B1 *	1/2022	York	.....	F16M 11/24
D947,930 S *	4/2022	Chen	.....	D16/244

2008/0224000 A1 *	9/2008	Yang	.....	F16M 11/16 248/163.1
2009/0250567 A1 *	10/2009	Raynaud	.....	F16M 11/16 248/168
2011/0260016 A1 *	10/2011	Johnson	.....	F16M 11/32 248/220.21

(Continued)

**OTHER PUBLICATIONS**

Abithid Camera Tripod, Abithid, <https://www.amazon.com/Abithid-Portable-Adapter-Lightweight-360%C2%B0Panorama/dp/B07GV746GX>, Aug. 26, 2018 (Year: 2018).\*

*Primary Examiner* — Richard Kearney  
*Assistant Examiner* — Benjamin M Weeks

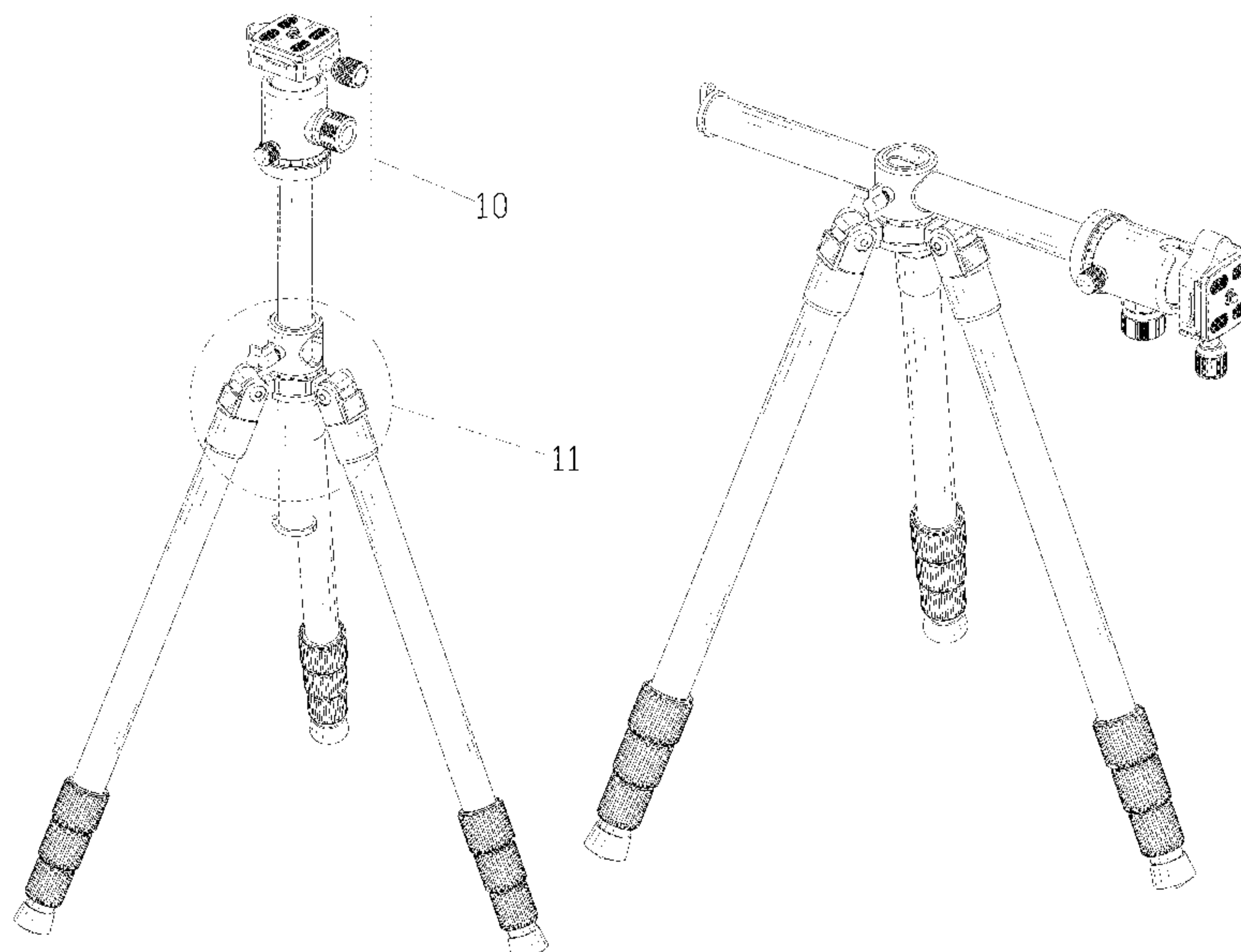
(57) **CLAIM**

The ornamental design for a tripod, as shown and described.

**DESCRIPTION**

FIG. 1 is a perspective view of a tripod showing my new design;  
FIG. 2 is another perspective view thereof;  
FIG. 3 is a front elevational view thereof;  
FIG. 4 is a rear elevational view thereof;  
FIG. 5 is a left side elevational view thereof;  
FIG. 6 is a right side elevational view thereof;  
FIG. 7 is a top plan view thereof;  
FIG. 8 is a bottom plan view thereof;  
FIG. 9 is a perspective view of the tripod where the tripod is in a first configuration of use;  
FIG. 10 is an enlarged view of portion 10 showing in FIG. 1; and,  
FIG. 11 is an enlarged view of portion 11 shown in FIG. 1.  
The broken lines shown in the drawings depict portions of the Tripod and form no part of the claimed design. The long dash-short dash broken lines depict areas of enlargement and form no part of the claimed design.

**1 Claim, 11 Drawing Sheets**



(56)

**References Cited**

U.S. PATENT DOCUMENTS

2015/0076296 A1\* 3/2015 Yang ..... F16M 11/32  
248/163.2  
2020/0292124 A1\* 9/2020 Li ..... F16M 11/16  
2021/0400175 A1\* 12/2021 Dunn ..... F16M 11/34

\* cited by examiner

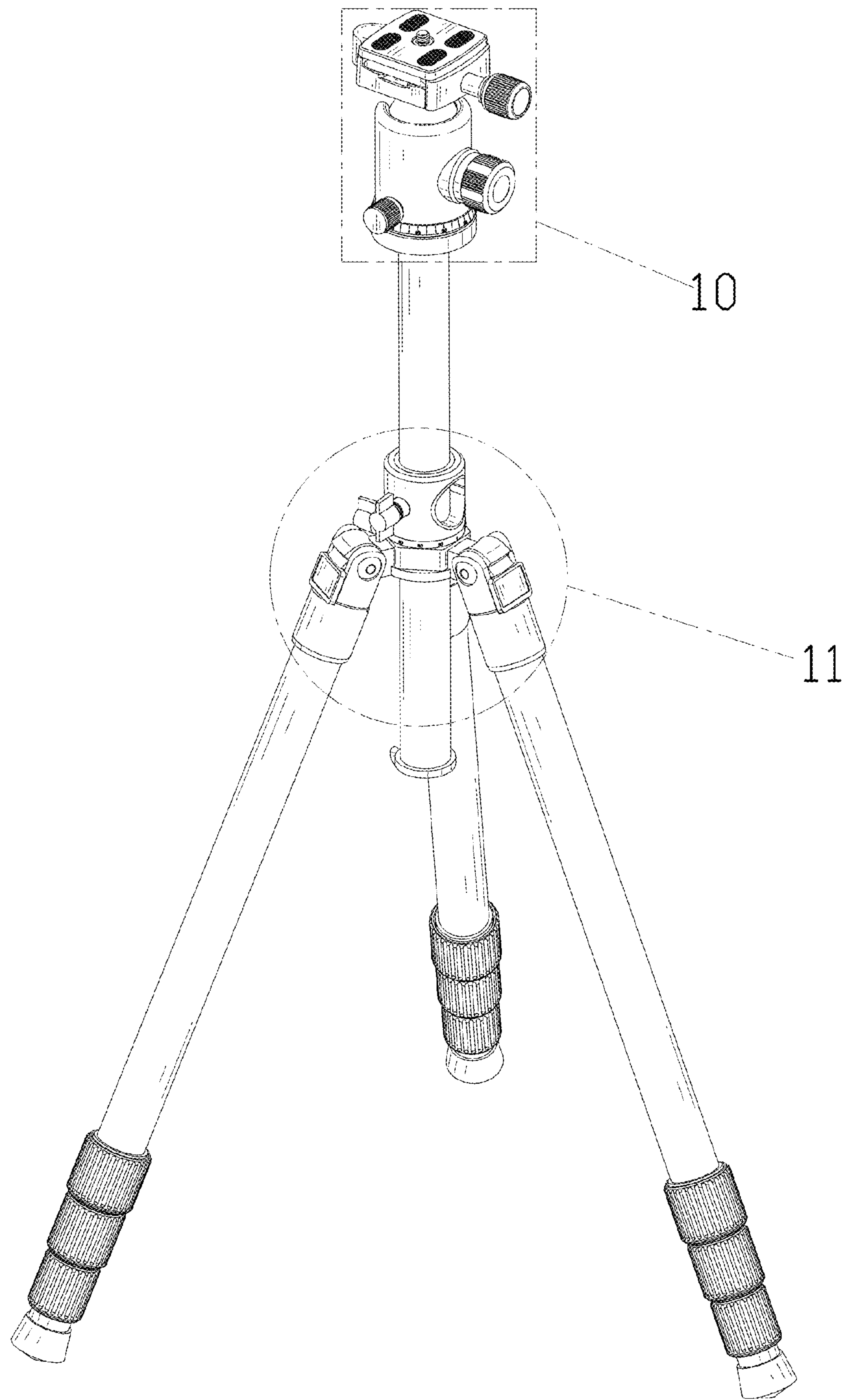


FIG. 1

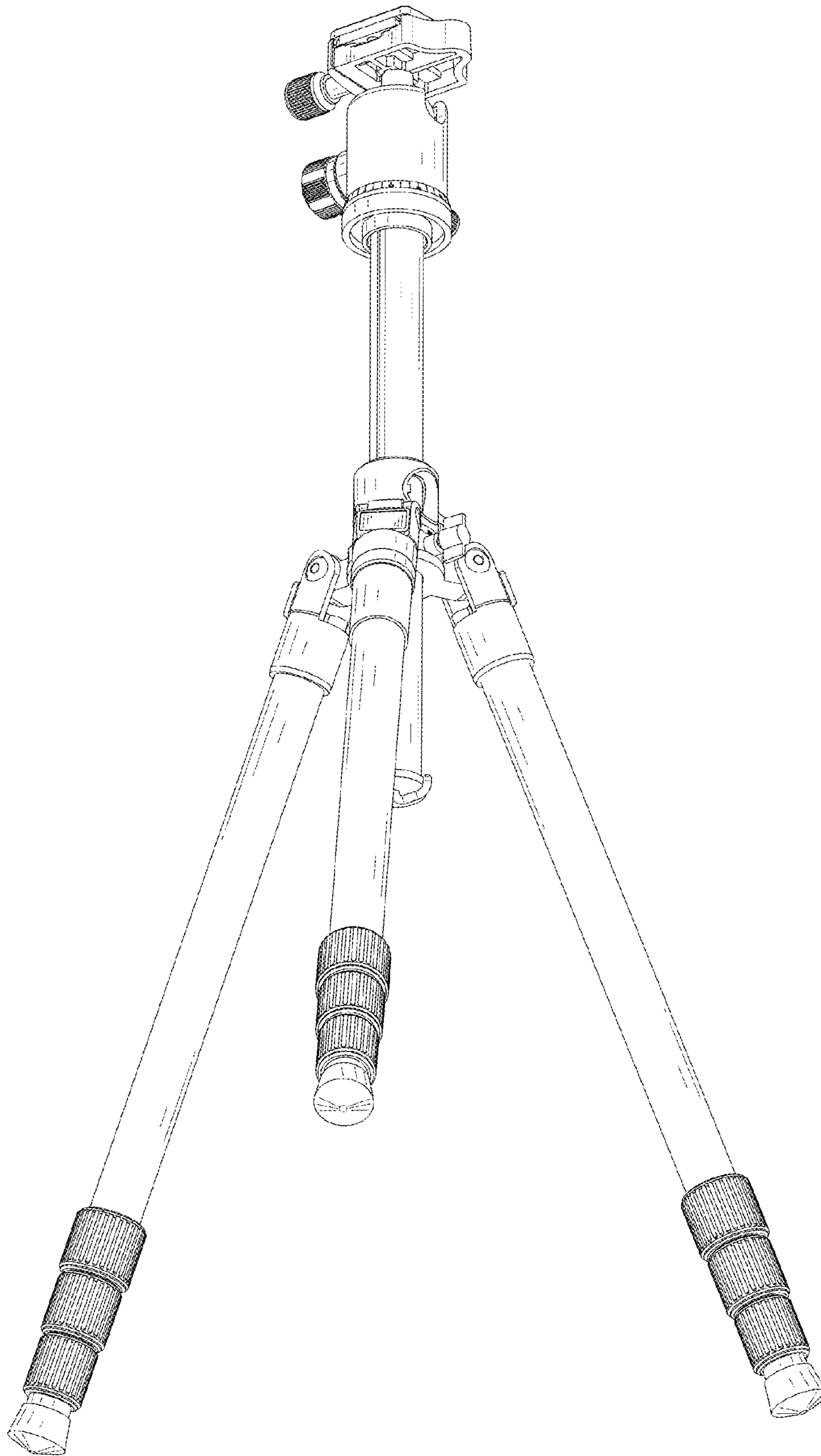


FIG. 2



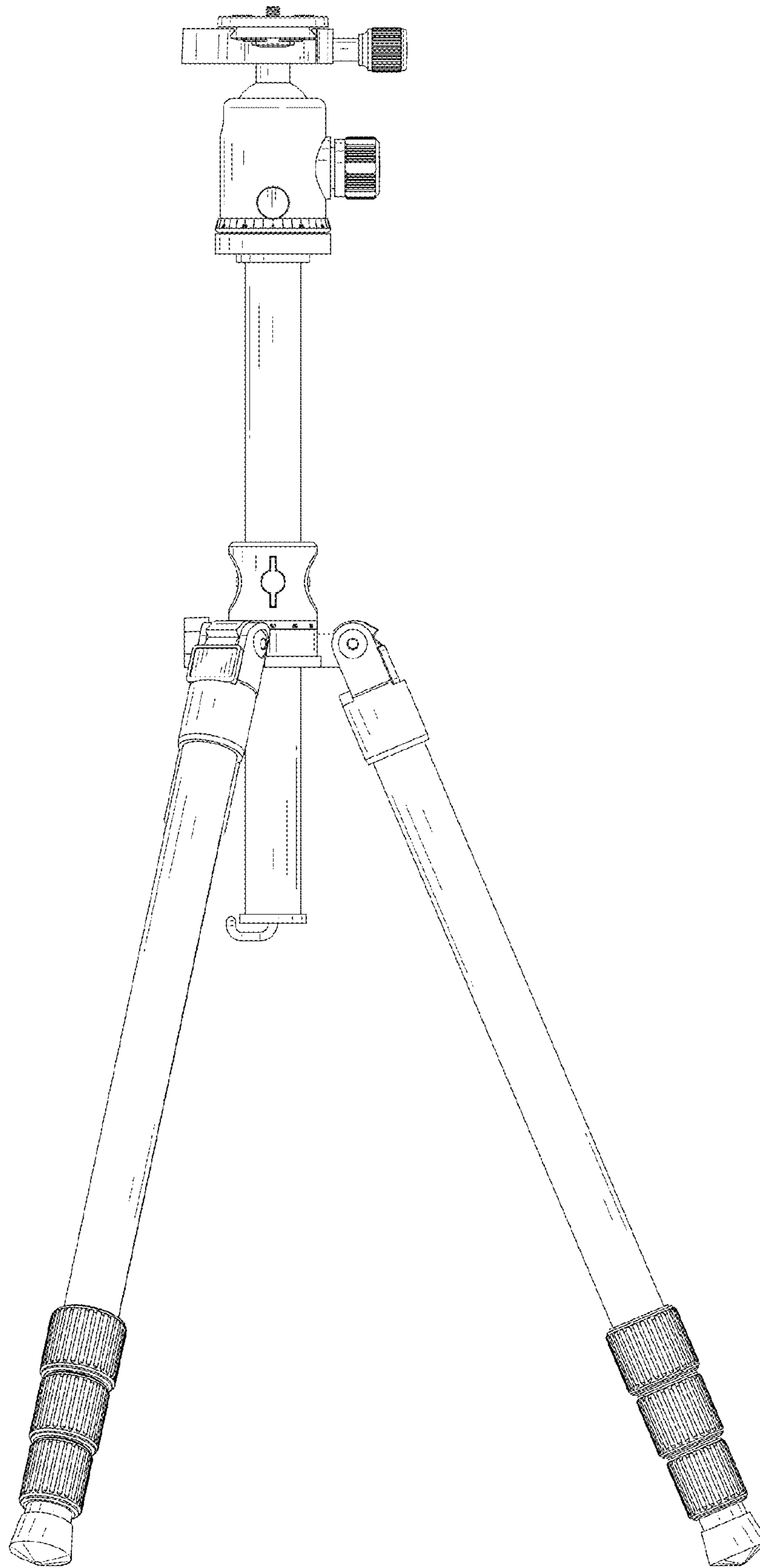


FIG. 3

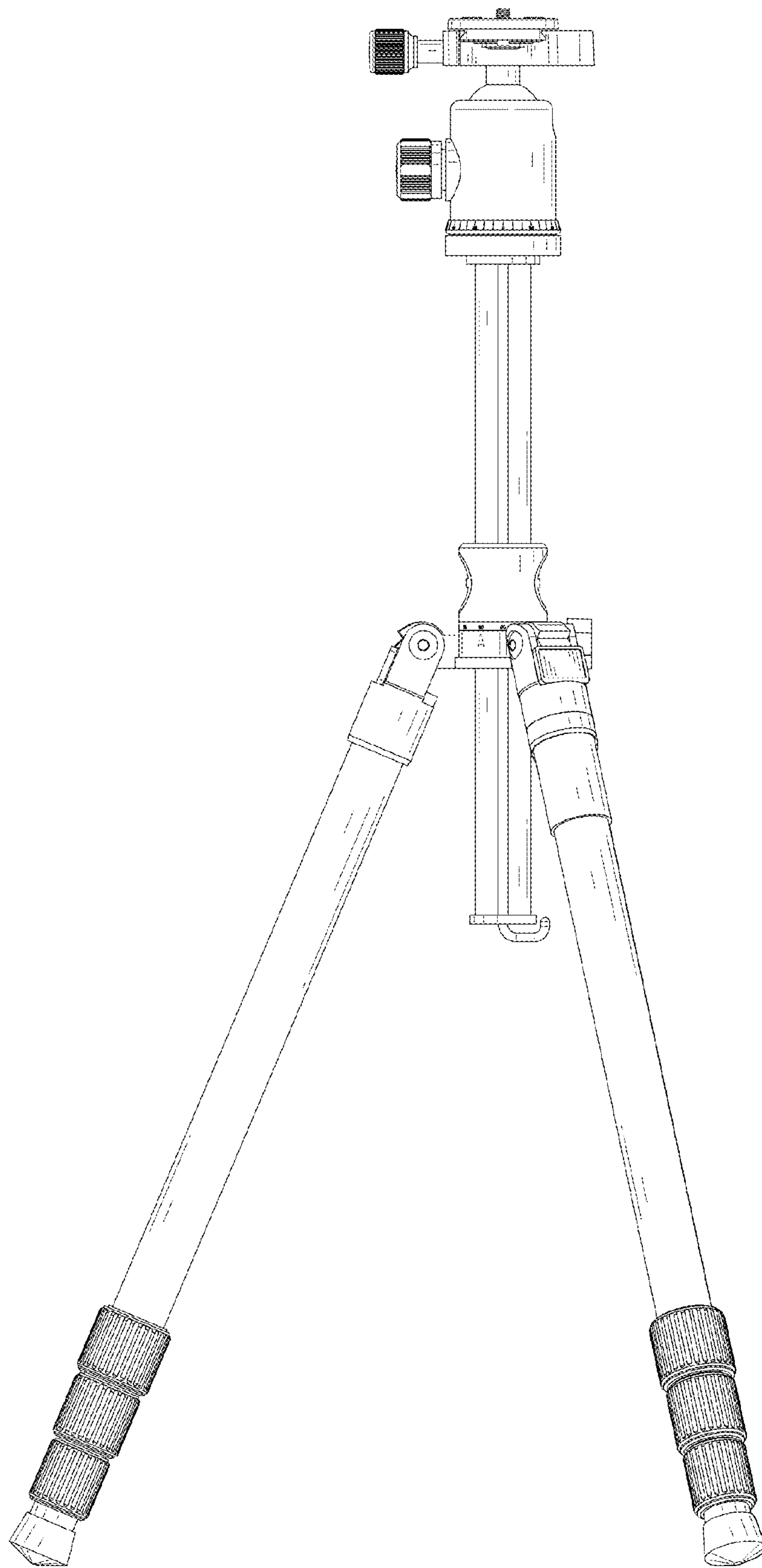


FIG. 4

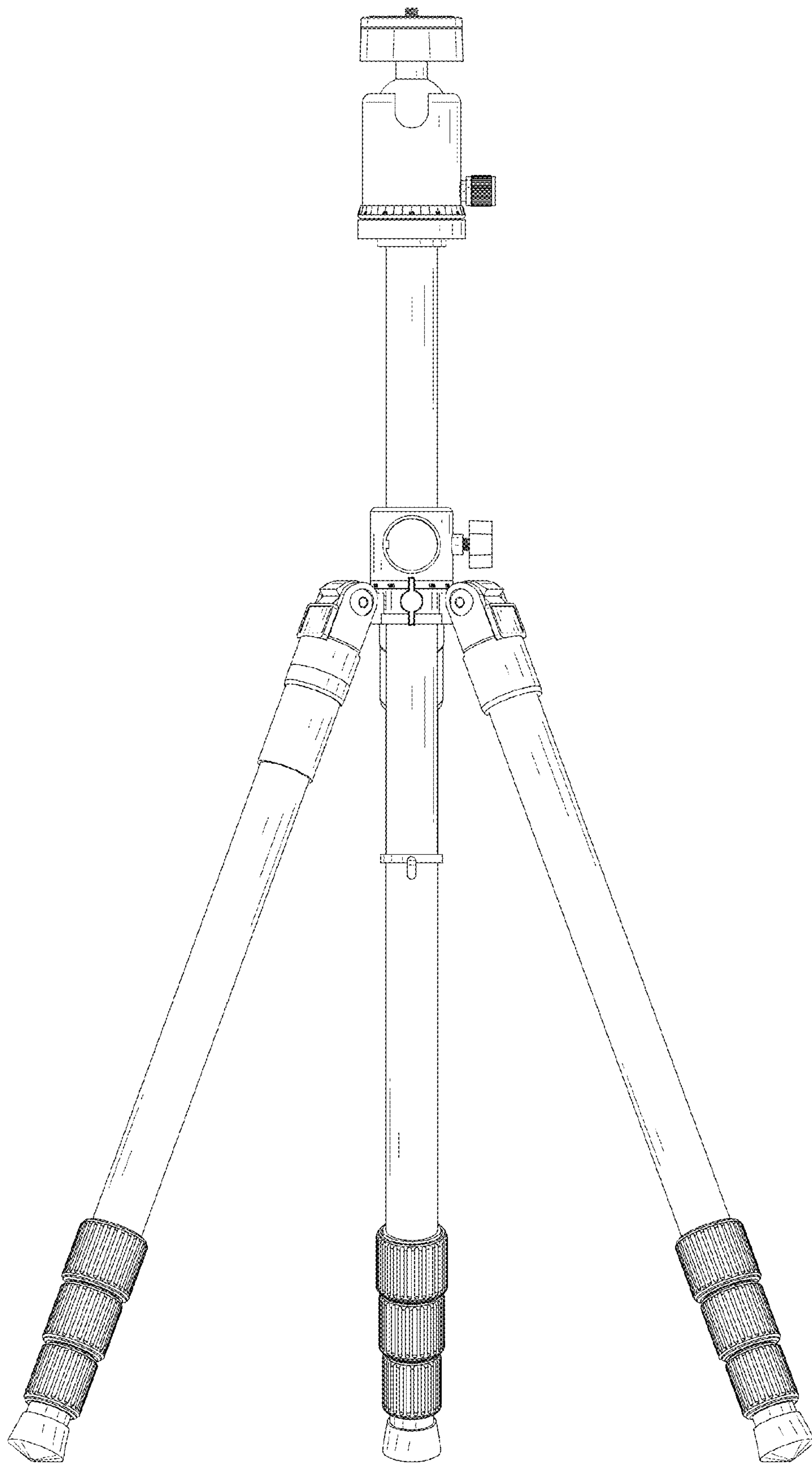


FIG. 5

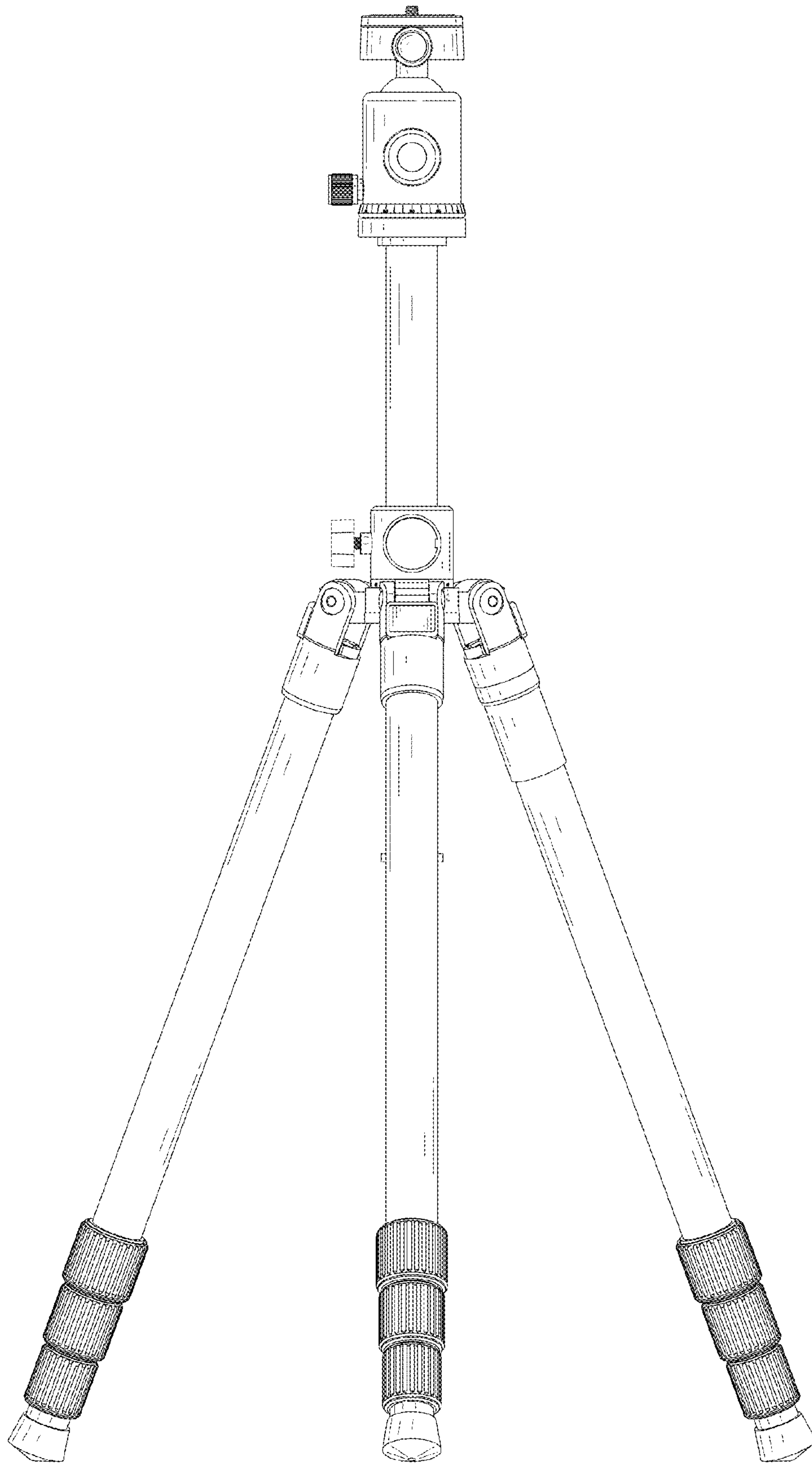


FIG. 6



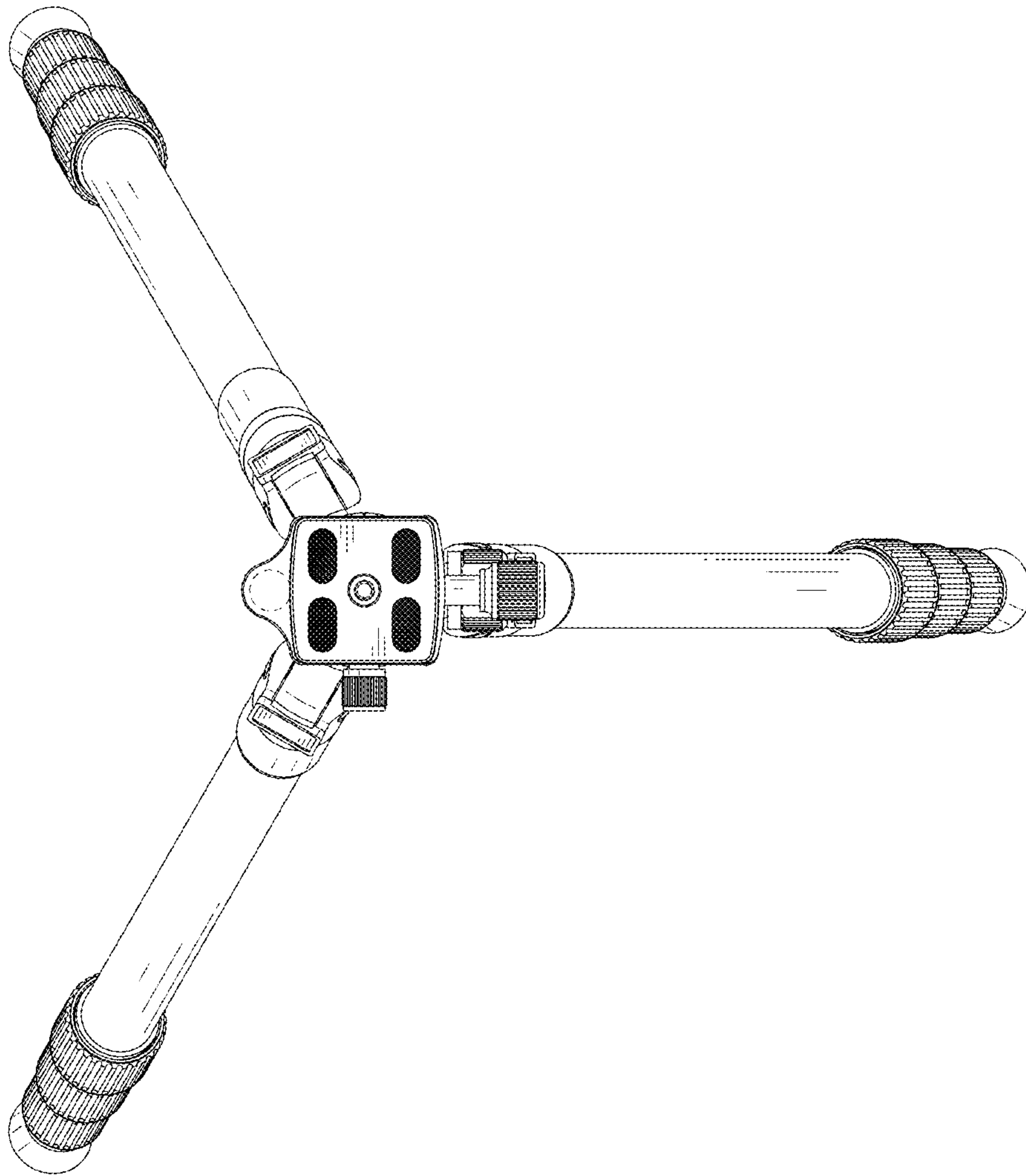


FIG. 7

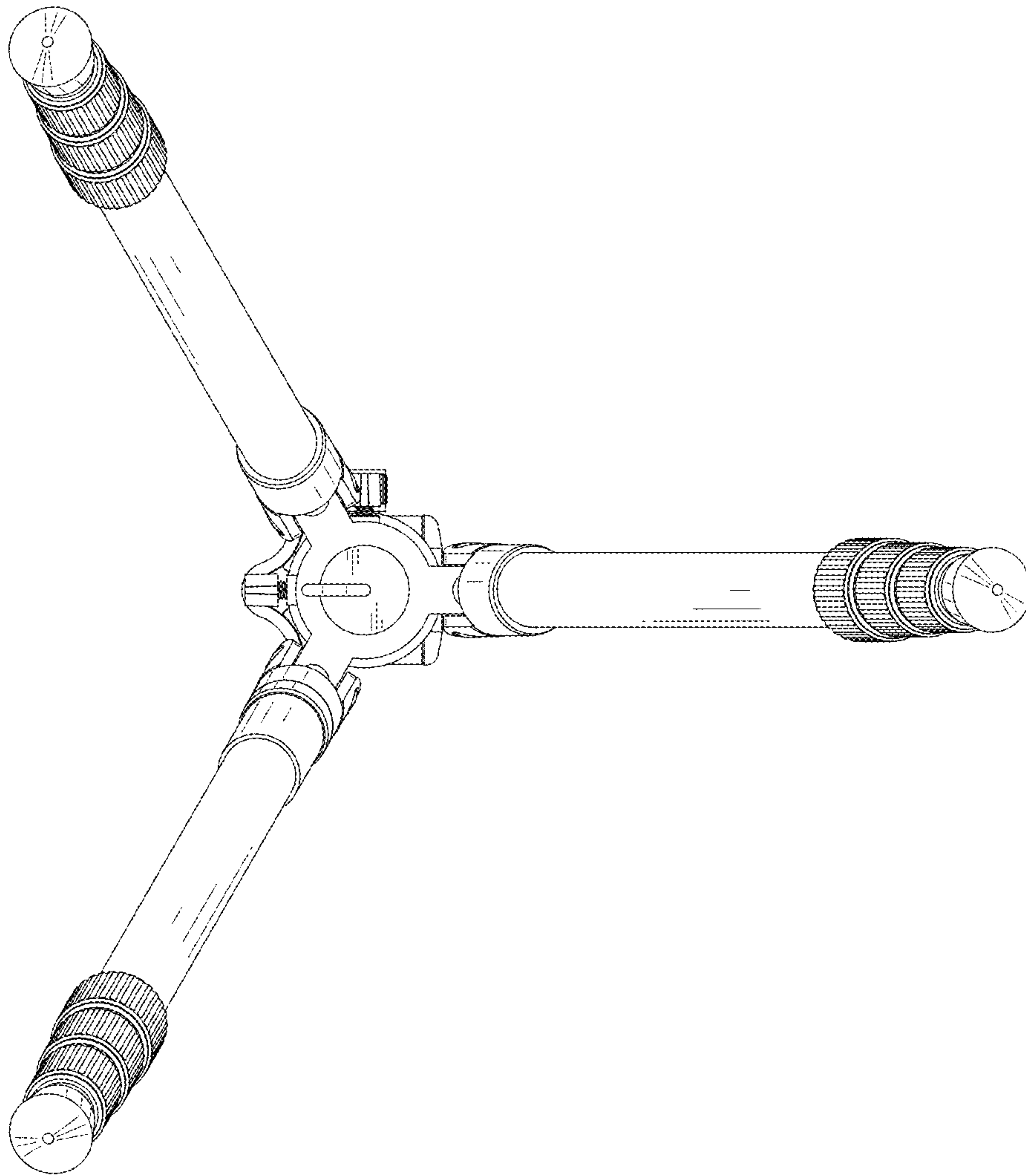


FIG. 8

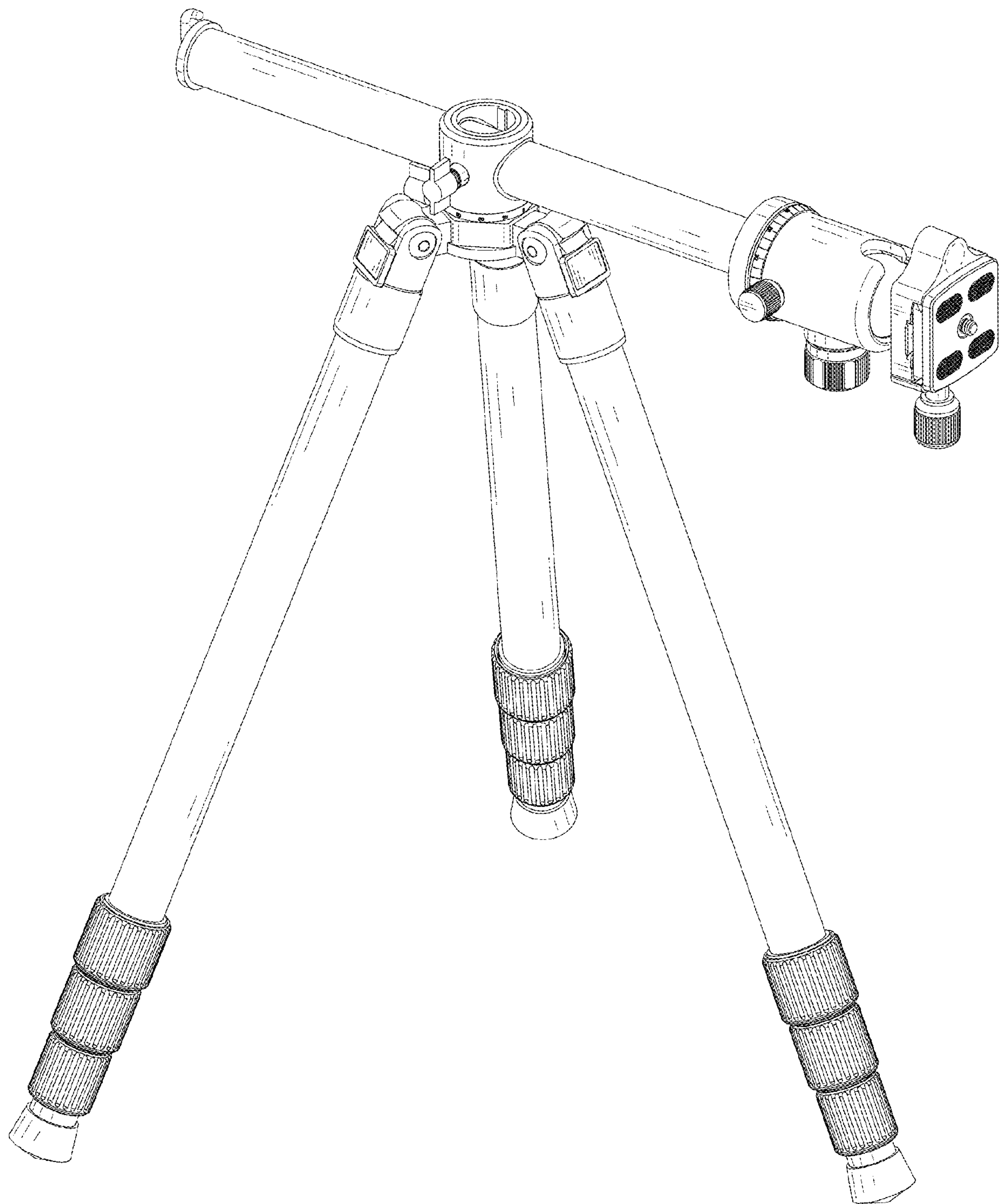


FIG. 9

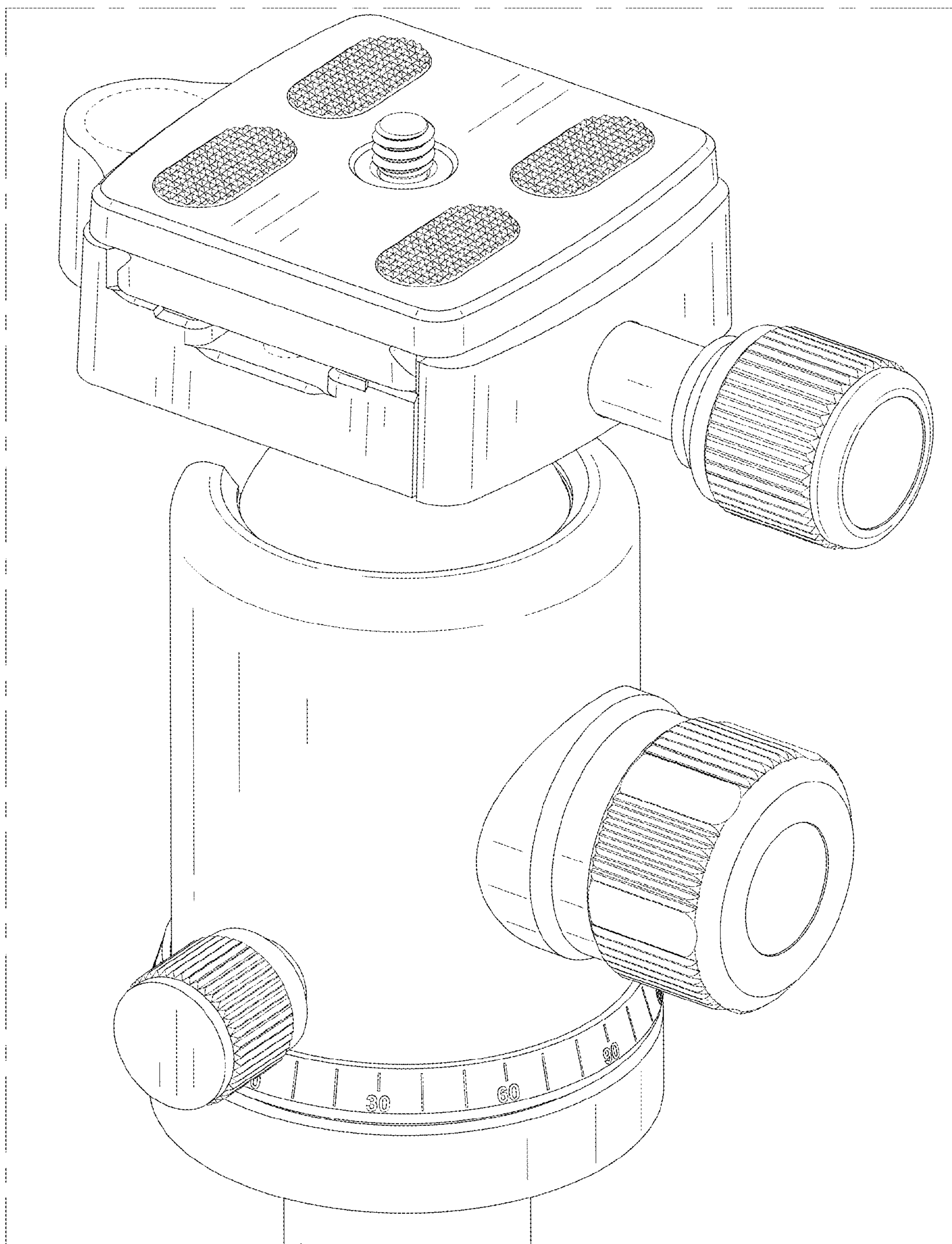


FIG. 10



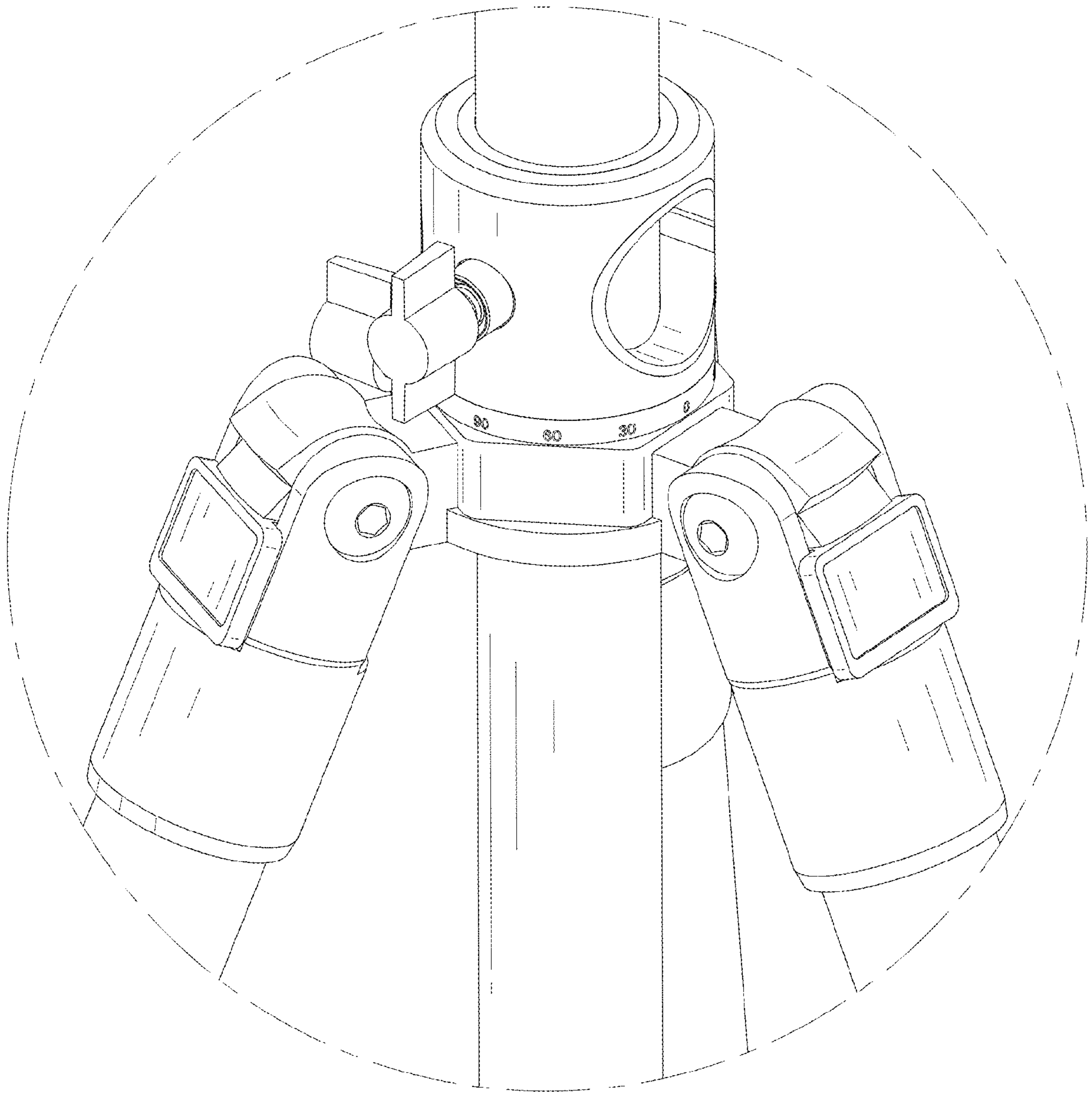


FIG. 11