



US00D959538S

(12) **United States Design Patent**
Liang et al.

(10) **Patent No.:** **US D959,538 S**
(45) **Date of Patent:** **** Aug. 2, 2022**

- (54) **CAMERA DISPLAY MOUNT**
- (71) Applicant: **GoPro, Inc.**, San Mateo, CA (US)
- (72) Inventors: **Bessy Liang**, San Jose, CA (US);
Daniel J. Coster, Oakura (NZ); **Huy**
Phuong Nguyen, Alpine, UT (US)
- (73) Assignee: **GoPro, Inc.**, San Mateo, CA (US)
- (**) Term: **15 Years**
- (21) Appl. No.: **29/786,944**
- (22) Filed: **Jun. 3, 2021**

D452,496 S	12/2001	Murnaghan	
D482,382 S *	11/2003	Kurokawa	D16/232
D642,608 S *	8/2011	Kato	D16/232
D651,635 S *	1/2012	Hong	D16/208
D653,666 S	2/2012	Zhou	
8,199,251 B2	6/2012	Woodman	
8,325,270 B2	12/2012	Woodman	
D678,383 S	3/2013	Park	
D679,713 S	4/2013	McParland	
D680,148 S	4/2013	Unno	
D685,017 S *	6/2013	Kato	D16/235
D691,608 S	10/2013	Samuels	
D691,609 S	10/2013	Woodman	

(Continued)

Primary Examiner — Ramzi Almatrahi
(74) *Attorney, Agent, or Firm* — Young Basile Hanlon & MacFarlane, P.C.

Related U.S. Application Data

- (62) Division of application No. 29/705,670, filed on Sep. 13, 2019, now Pat. No. Des. 921,737.
- (51) **LOC (13) Cl.** **16-05**
- (52) **U.S. Cl.**
USPC **D16/219**; D16/211; D16/214
- (58) **Field of Classification Search**
USPC D16/200, 202–204, 208, 211, 214, 218,
D16/219, 221, 225, 229, 232, 235;
D14/423, 429, 251; 348/373–376;
396/430, 431, 535, 539–541
CPC G03B 17/02; G03B 19/04; G03B 17/56;
G03B 17/04; G03B 15/03; G03B 17/48;
G03B 17/06; H04N 5/2251; H04N
5/2252; H04N 5/2253; H04N 5/2254
See application file for complete search history.

(57) **CLAIM**

The ornamental design for a camera display mount, as shown and described.

DESCRIPTION

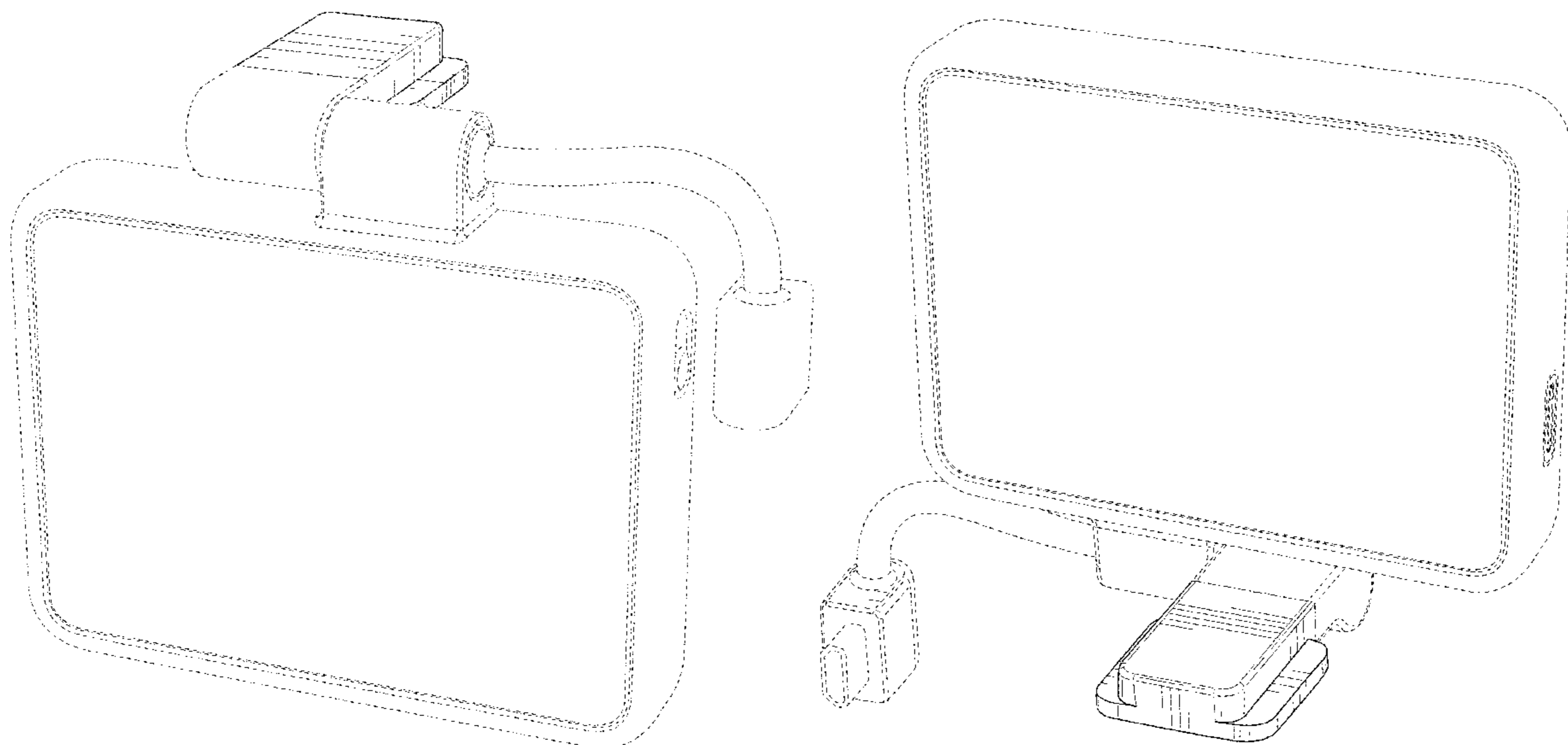
FIG. 1 is a top, rear, and left side perspective view of a camera display mount showing our new design in a first configuration;
 FIG. 2 is a top, front, and right side perspective view thereof, shown in a second configuration;
 FIG. 3 is a rear elevation view thereof, shown in the first configuration;
 FIG. 4 is a front elevation view thereof;
 FIG. 5 is right side elevation view thereof;
 FIG. 6 is a left side elevation view thereof;
 FIG. 7 is a top plan view thereof; and,
 FIG. 8 is a bottom plan view thereof.

The broken lines depict portions of the camera display mount in which the design is embodied that form no part of the claimed design. The dash-dot broken lines denote the boundary of the claim and form no part of the claimed design.

(56) **References Cited**
U.S. PATENT DOCUMENTS

D285,920 S	9/1986	Kitakaze
5,126,890 A	6/1992	Wade
5,933,322 A	8/1999	Ruch
D423,473 S	4/2000	Iwamoto
D443,247 S	6/2001	Chuan

1 Claim, 8 Drawing Sheets



(56)

References Cited

U.S. PATENT DOCUMENTS

8,638,392	B2	1/2014	Woodman	
D698,790	S	2/2014	Samuels	
D698,791	S	2/2014	Woodman	
D708,655	S *	7/2014	Wong	D16/232
D717,855	S *	11/2014	Hong	D16/232
D719,602	S *	12/2014	Tada	D16/225
D727,908	S	4/2015	Samuels	
D753,209	S	4/2016	Zetsu	
D756,439	S	5/2016	Conard	
D782,558	S *	3/2017	Tabuchi	D16/214
9,699,360	B2	7/2017	Woodman	
D818,516	S	5/2018	Yamakose	
D838,761	S	1/2019	Nishizawa	
D854,598	S	7/2019	Hsieh	
D854,599	S *	7/2019	Hong	D16/214
10,356,291	B2	7/2019	Woodman	
D880,560	S *	4/2020	Hogstedt	D16/218
10,705,411	B2	7/2020	Furusawa	
D892,192	S *	8/2020	Furusawa	D16/211
D892,900	S *	8/2020	Chang	D16/211
D896,874	S	9/2020	Yamakose	
D921,088	S *	6/2021	Andres	D16/214
2003/0193316	A1	10/2003	Guo	
2014/0104447	A1	4/2014	Woodman	
2019/0281197	A1	9/2019	Woodman	
2019/0342474	A1	11/2019	Woodman	

* cited by examiner

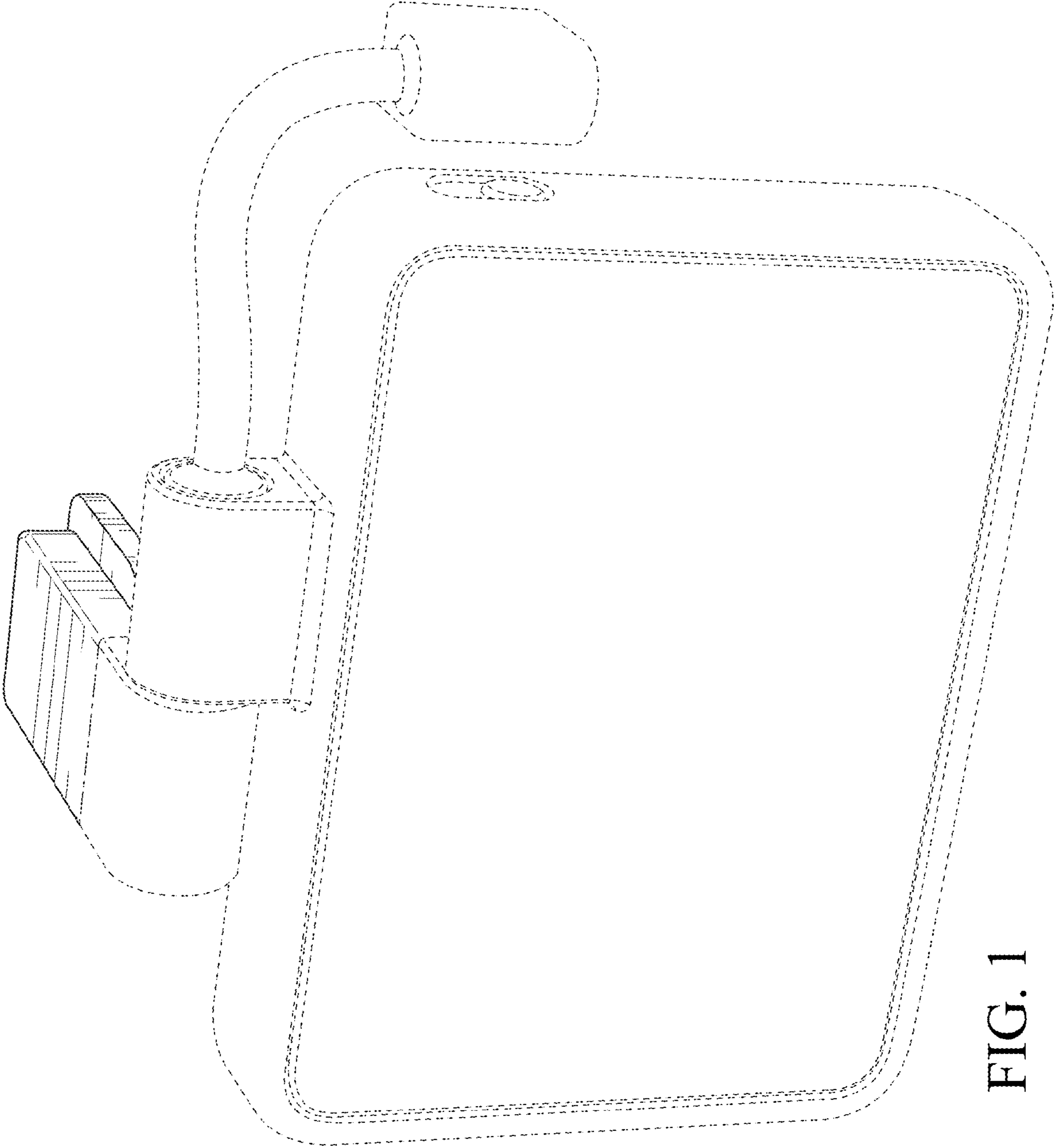


FIG. 1

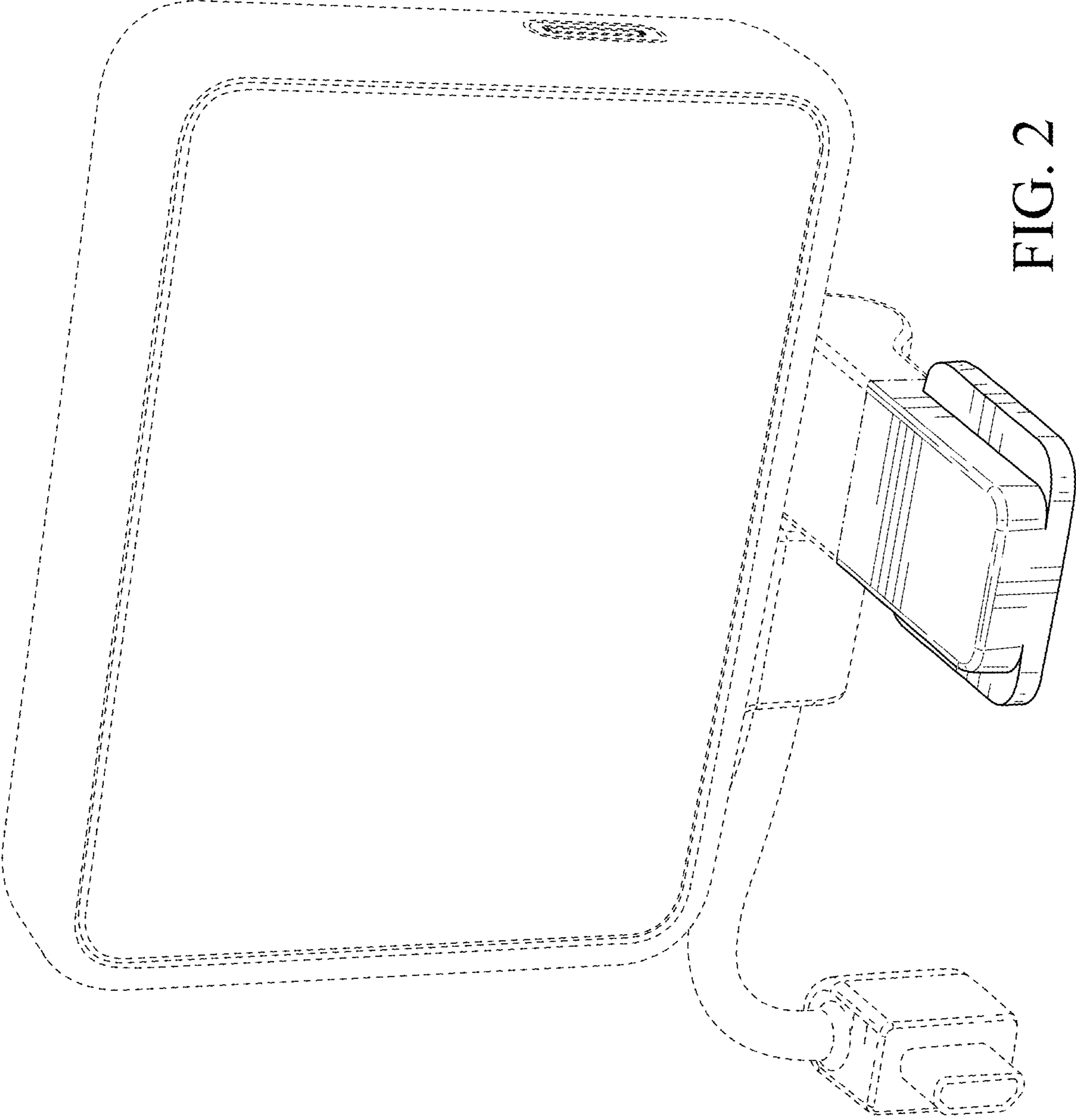


FIG. 2

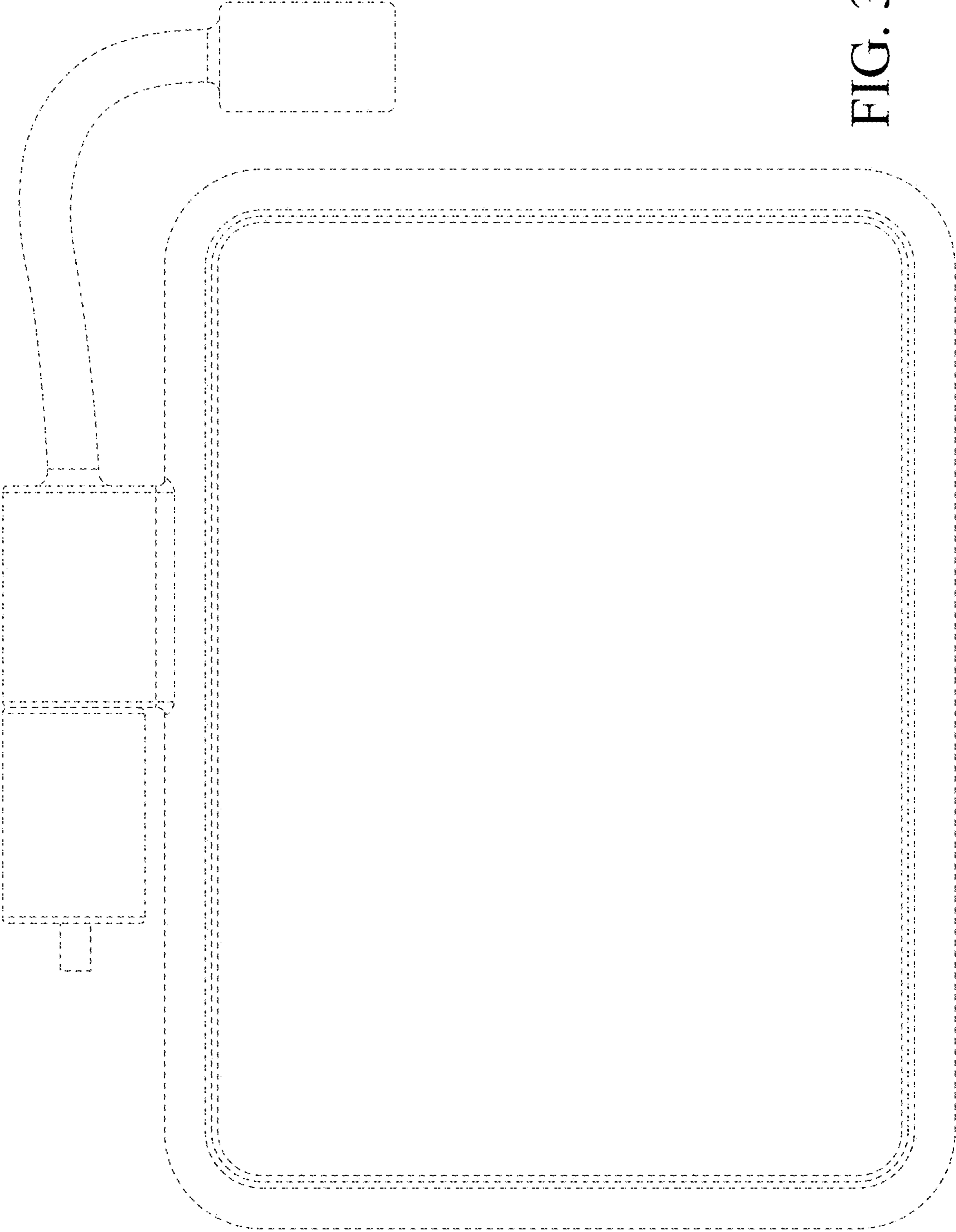


FIG. 3

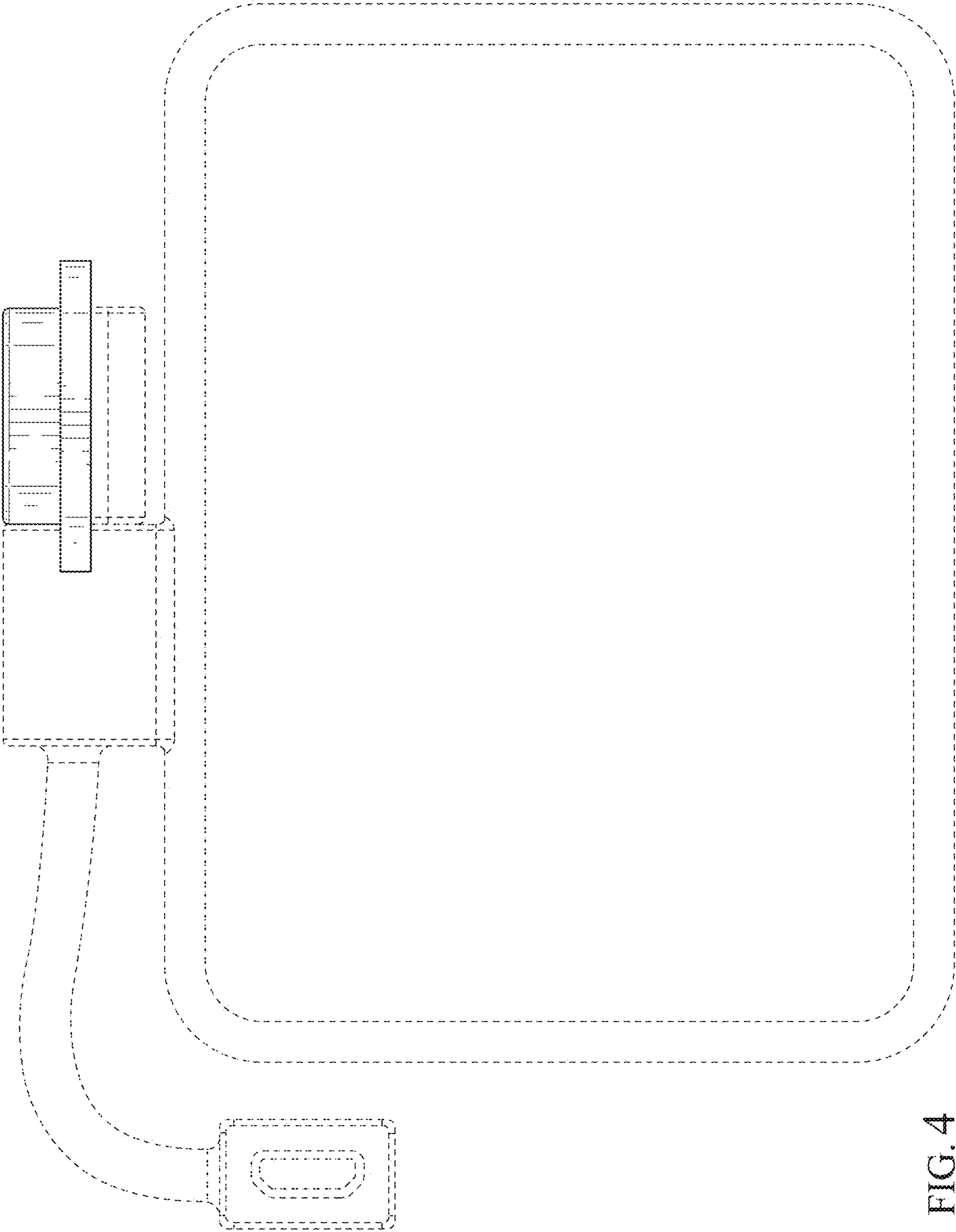


FIG. 4

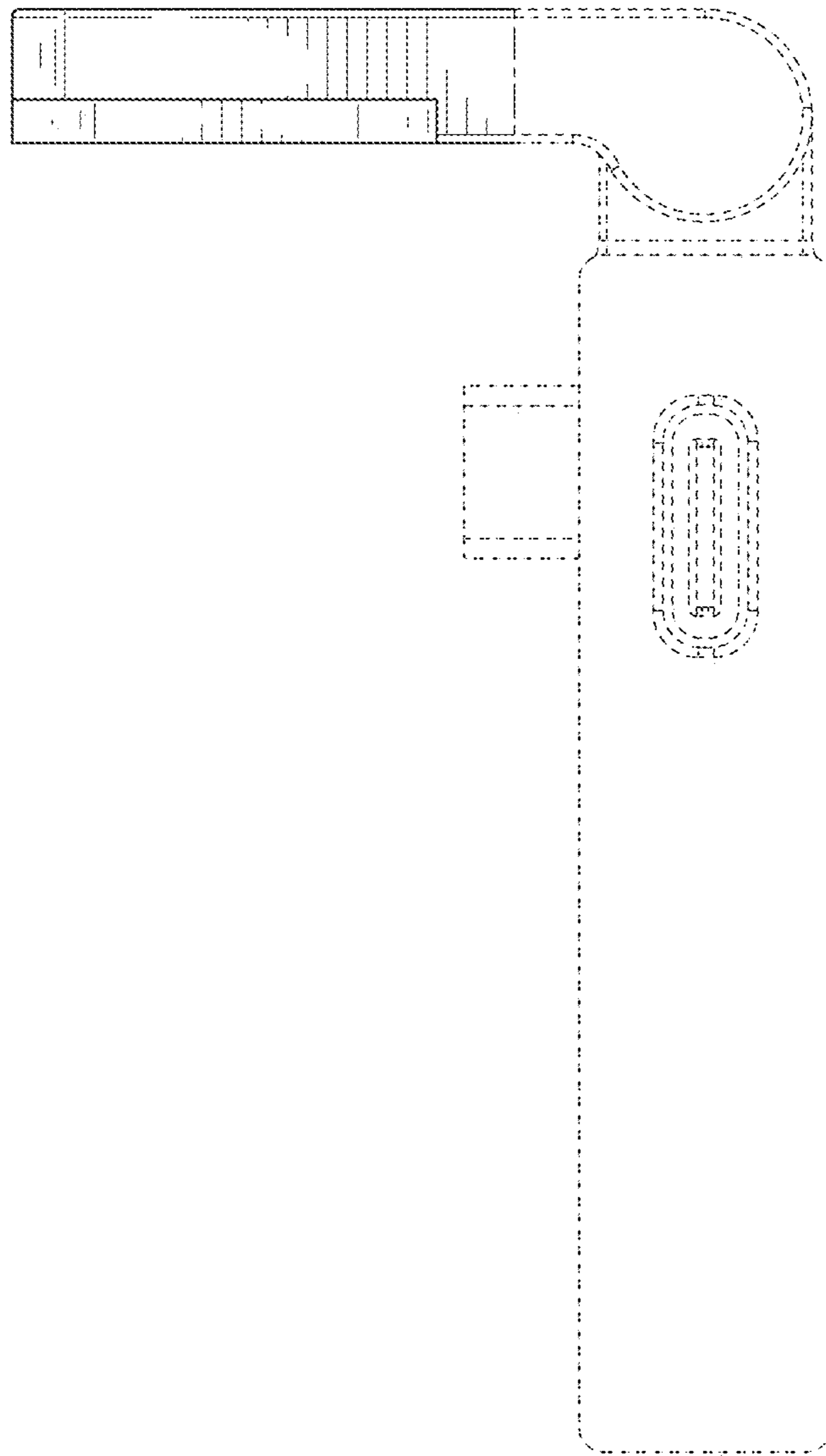


FIG. 5

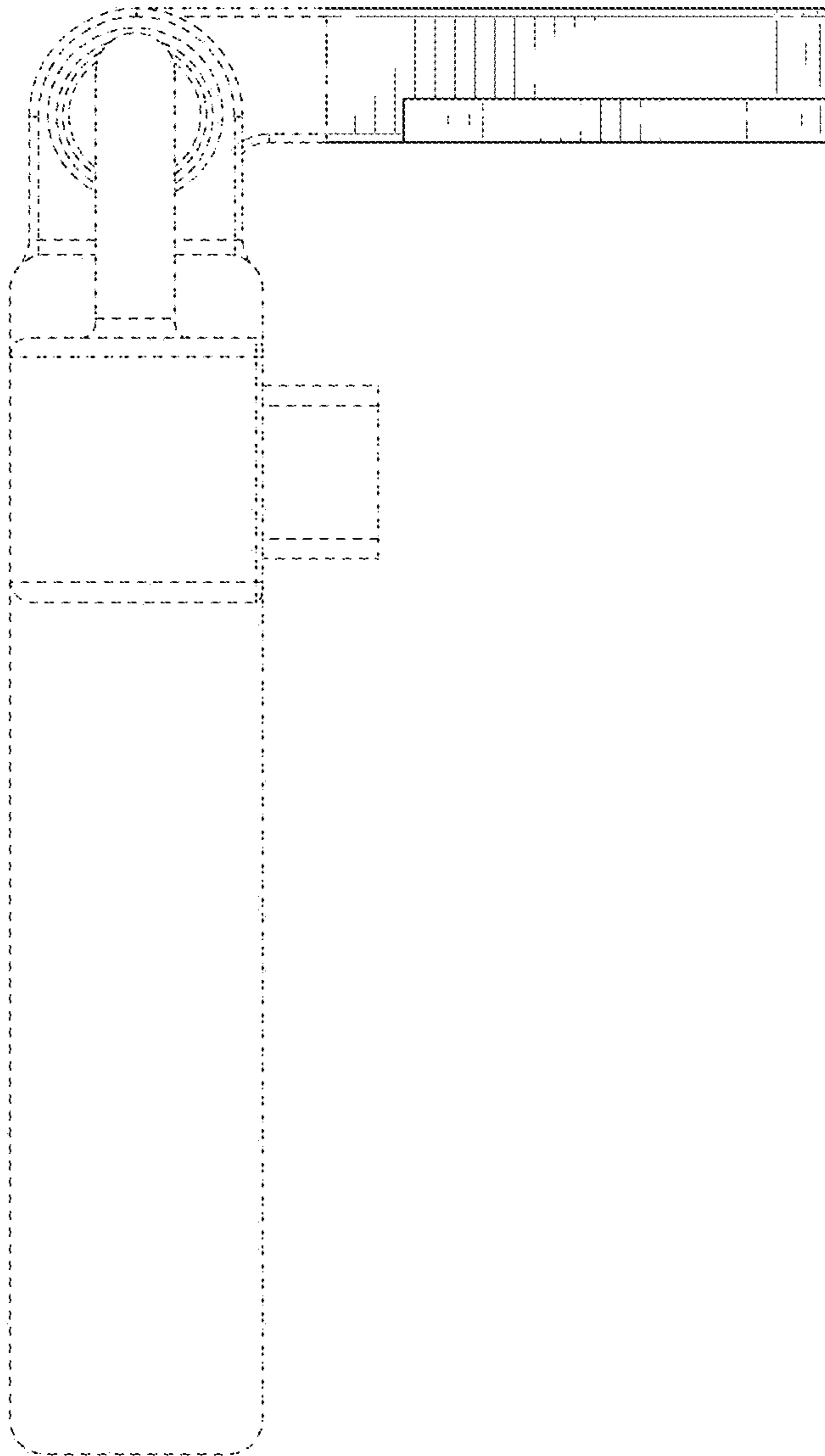


FIG. 6

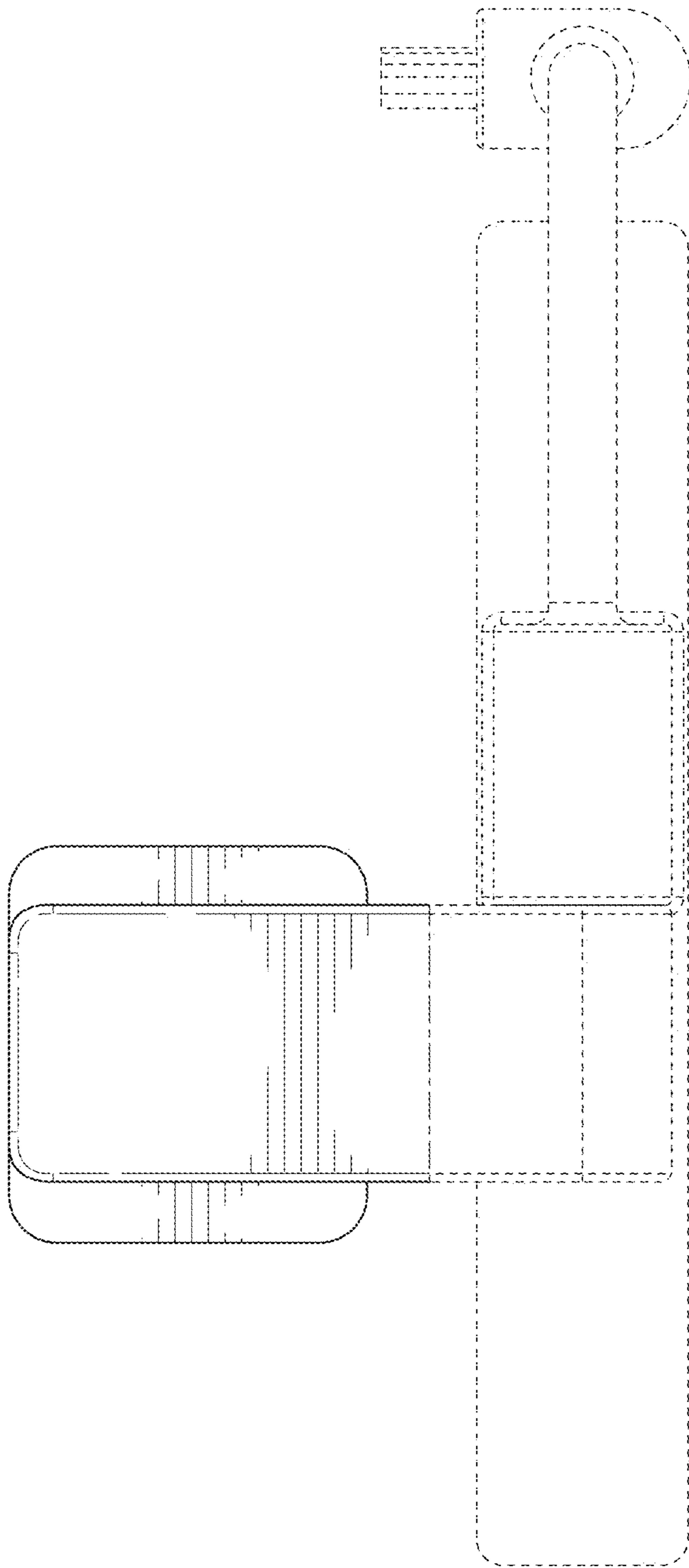


FIG. 7

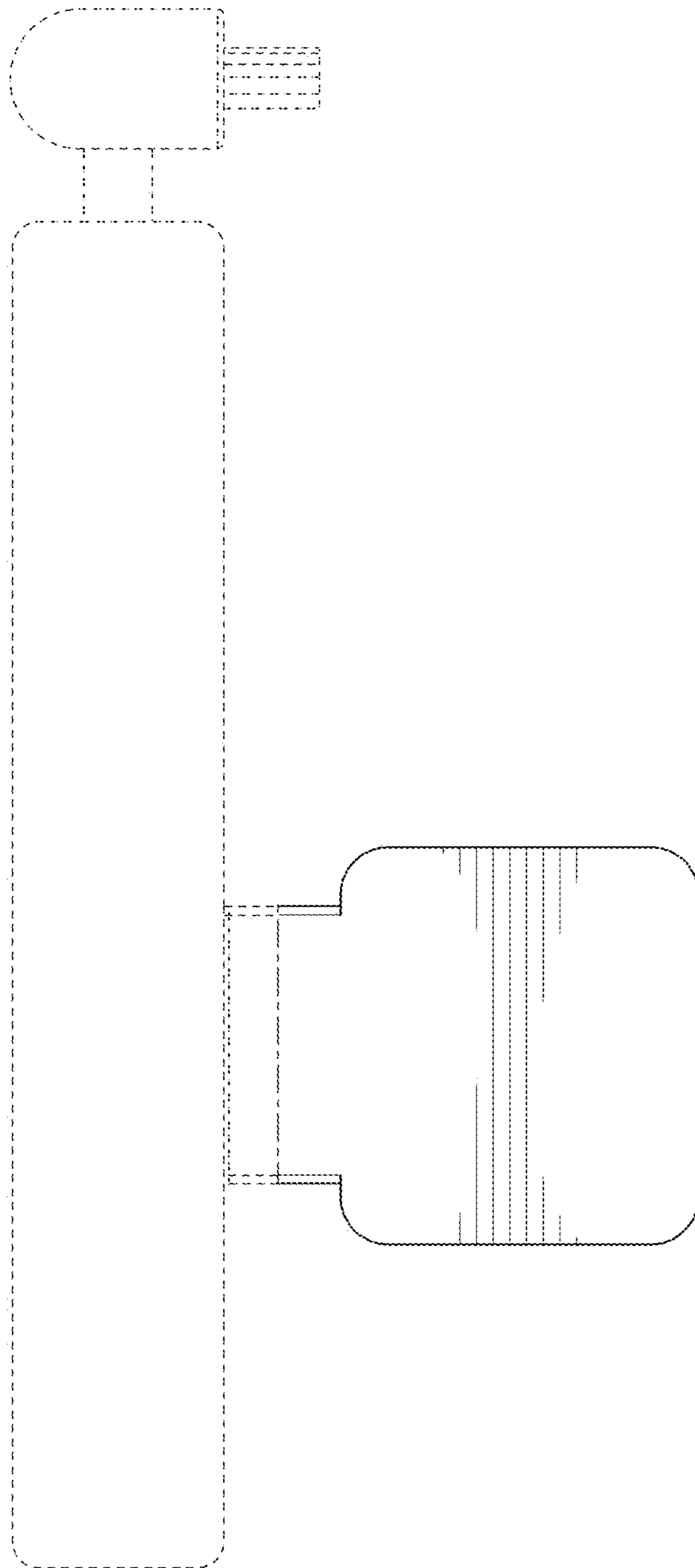


FIG. 8