



US00D959537S

(12) **United States Design Patent**  
**Tremblay**

(10) **Patent No.:** **US D959,537 S**

(45) **Date of Patent:** **\*\* Aug. 2, 2022**

(54) **CAMERA**

(71) Applicant: **Teledyne FLIR Commercial Systems, Inc.**, Goleta, CA (US)

(72) Inventor: **Marcel Tremblay**, Goleta, CA (US)

(73) Assignee: **Teledyne FLIR Commercial Systems, Inc.**, Goleta, CA (US)

(\*\*) Term: **15 Years**

(21) Appl. No.: **29/683,504**

(22) Filed: **Mar. 13, 2019**

(51) **LOC (13) Cl.** ..... **16-05**

(52) **U.S. Cl.**

USPC ..... **D16/219**; D16/218

(58) **Field of Classification Search**

USPC ..... D16/200, 202–206, 218, 219; 348/143, 348/148, 151, 373–376; 396/419, 427, 396/535, 539–541

CPC ..... G03B 17/02; G03B 19/04; G03B 17/56; G03B 17/04; G03B 15/03; H04N 5/2251; H04N 5/2252; H04N 5/2253; H04N 5/2254; H04N 7/181; H04N 7/183; H04N 7/18; G08B 13/1963; G08B 13/19619; G08B 13/19632; F16M 11/04; F16M 13/00

See application file for complete search history.

(56) **References Cited**

**U.S. PATENT DOCUMENTS**

D515,121 S \* 2/2006 Bleau ..... D16/202  
7,612,799 B1 \* 11/2009 Frank ..... H04N 5/33  
250/339.04  
8,188,432 B1 \* 5/2012 Nguyen ..... H04N 5/2252  
250/353  
D745,589 S \* 12/2015 Lee ..... D16/218  
D754,230 S \* 4/2016 Mori ..... D16/218

D774,584 S 12/2016 Walters et al.  
D788,835 S \* 6/2017 Wu ..... D16/218  
D850,514 S \* 6/2019 Hsu ..... D16/219  
D875,153 S \* 2/2020 Kostrzewa ..... D16/202  
D906,396 S \* 12/2020 Schaarschmidt ..... D16/202  
D937,340 S \* 11/2021 Shain ..... D16/219  
2018/0309913 A1 \* 10/2018 An ..... G02B 7/022  
2019/0116298 A1 \* 4/2019 Tsai ..... B60R 11/04

**OTHER PUBLICATIONS**

FLIR Product Support, “Quark 2”, Support for Quark 2 Longwave Infrared (LWIR) OEM Thermal Camera, FLIR Systems, 3 pages, [on line] [retrieved on Mar. 28, 2019]. Retrieved from the internet: URL: <https://www.flir.com/support/products/quark-2/#Overview>.

(Continued)

*Primary Examiner* — Ramzi Almatrahi

(74) *Attorney, Agent, or Firm* — Haynes and Boone, LLP

(57)

**CLAIM**

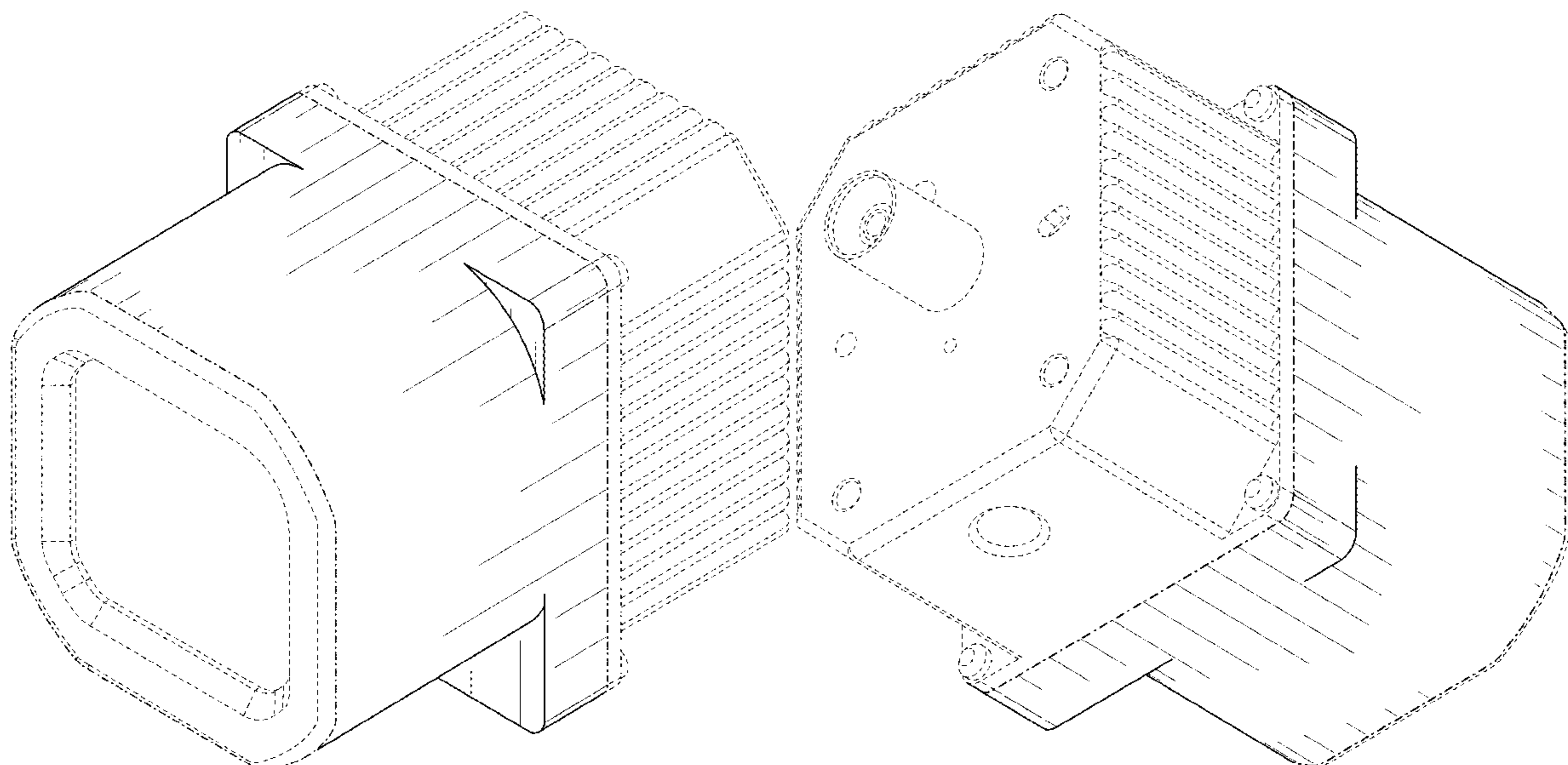
The ornamental design for a camera, as shown and described.

**DESCRIPTION**

FIG. 1 is a top, front and left side perspective view of a camera embodying the new design;  
FIG. 2 is a bottom, rear and right side perspective view thereof;  
FIG. 3 is a front elevational view thereof;  
FIG. 4 is a rear elevational view thereof;  
FIG. 5 is a right side view thereof;  
FIG. 6 is a left side view thereof;  
FIG. 7 is a top plan view thereof; and,  
FIG. 8 is a bottom plan view thereof.

The broken lines depict portions of the camera that form no part of the claimed design. Additionally, the dot-dash broken lines denote the boundary of the claim and form no part of the claimed design.

**1 Claim, 8 Drawing Sheets**



(56)

**References Cited**

OTHER PUBLICATIONS

FLIR Product, "Tau™ 2", Tau 2 Longwave Infrared Thermal Camera Core, FLIR Systems, 4 pages, [on line] [retrieved on Mar. 28, 2019]. Retrieved from the internet: URL: <https://www.flir.com/products/tau-2/>.

FLIR Product, "FLIR Vue Pro", FLIR Vue Pro Thermal Camera for Drones, FLIR Systems, 7 pages, [on line] [retrieved on Mar. 28, 2019]. Retrieved from the internet: URL: <https://www.flir.com/products/vue-pro/>.

\* cited by examiner

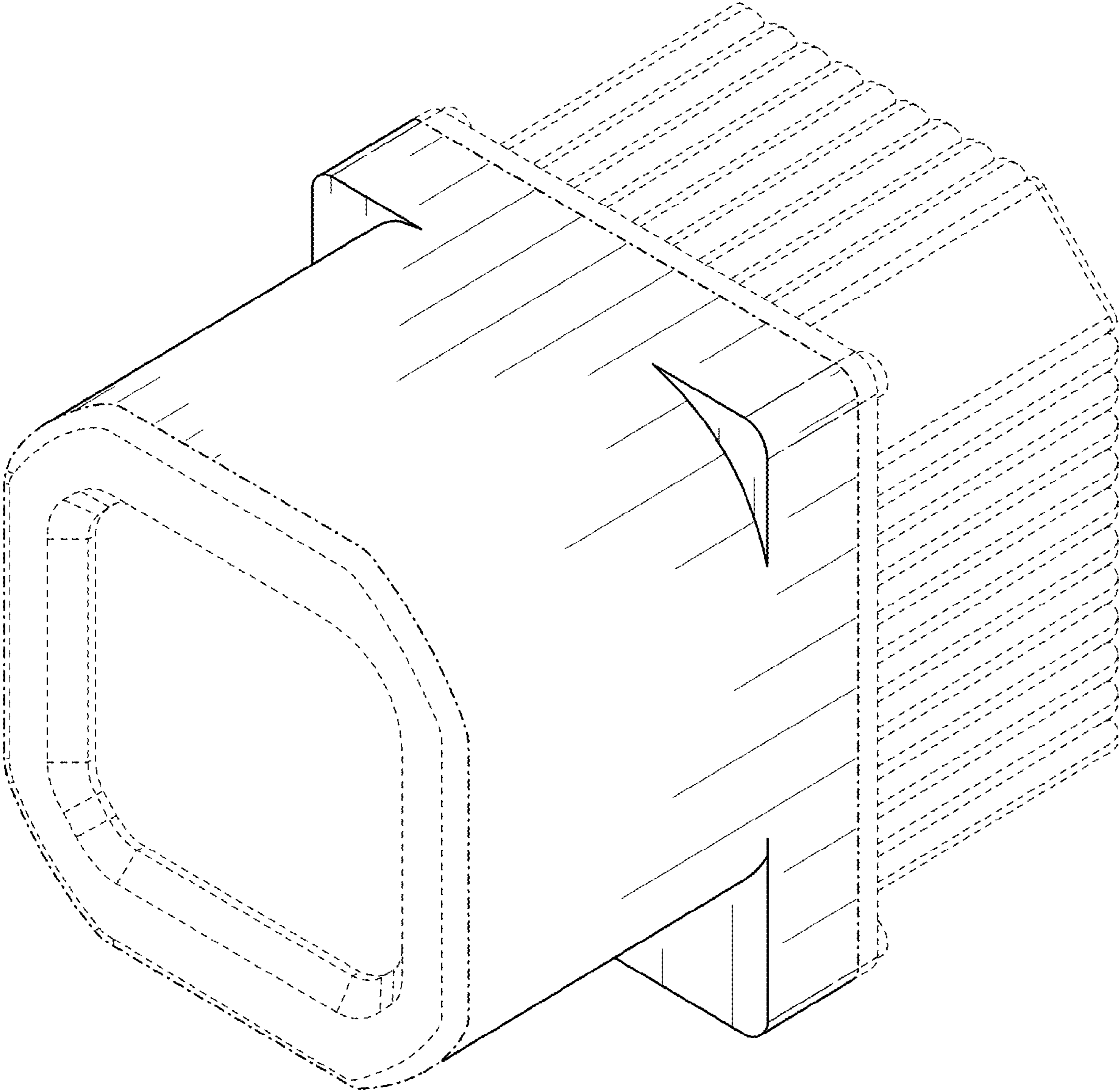


FIG. 1

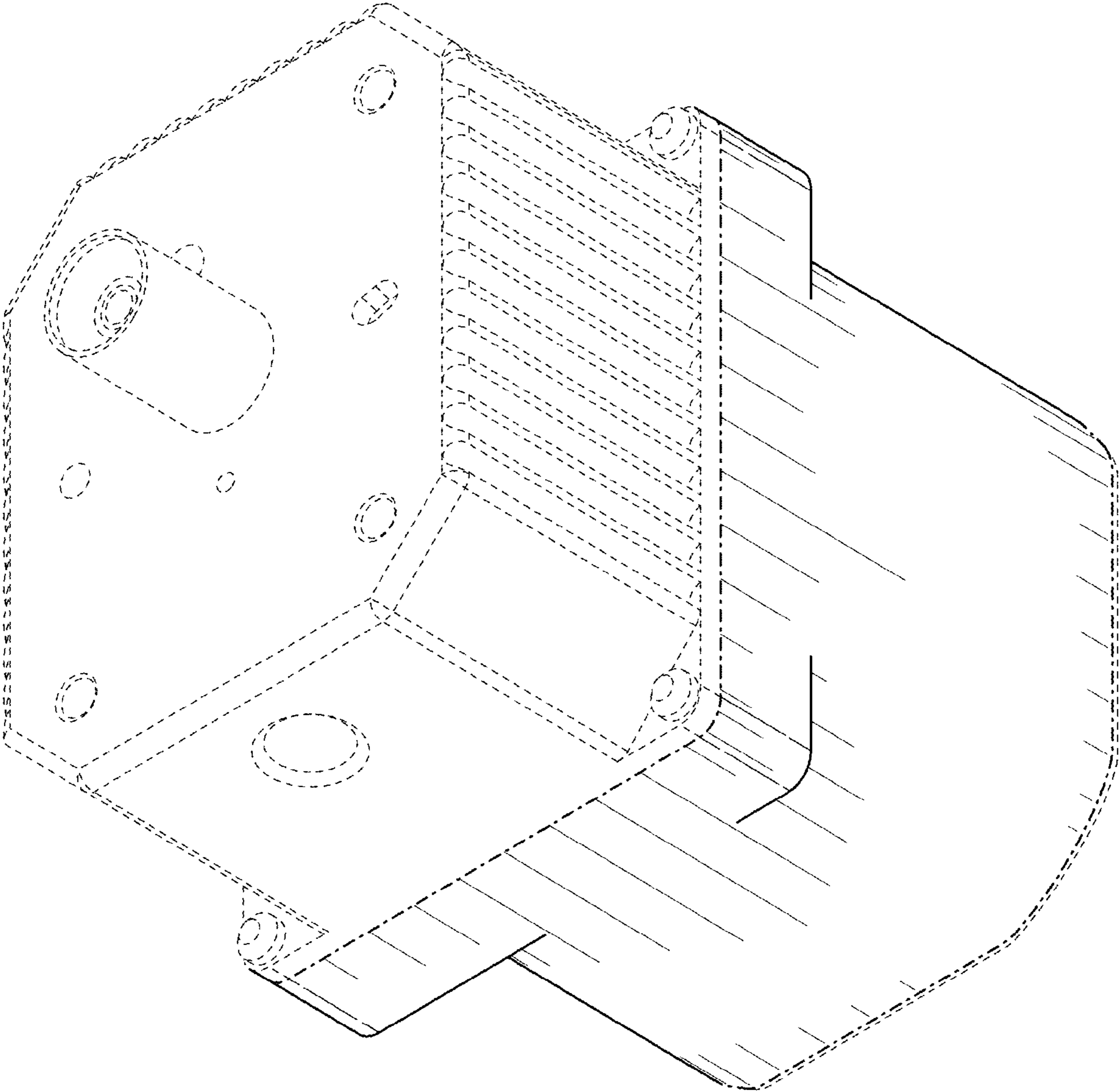


FIG. 2

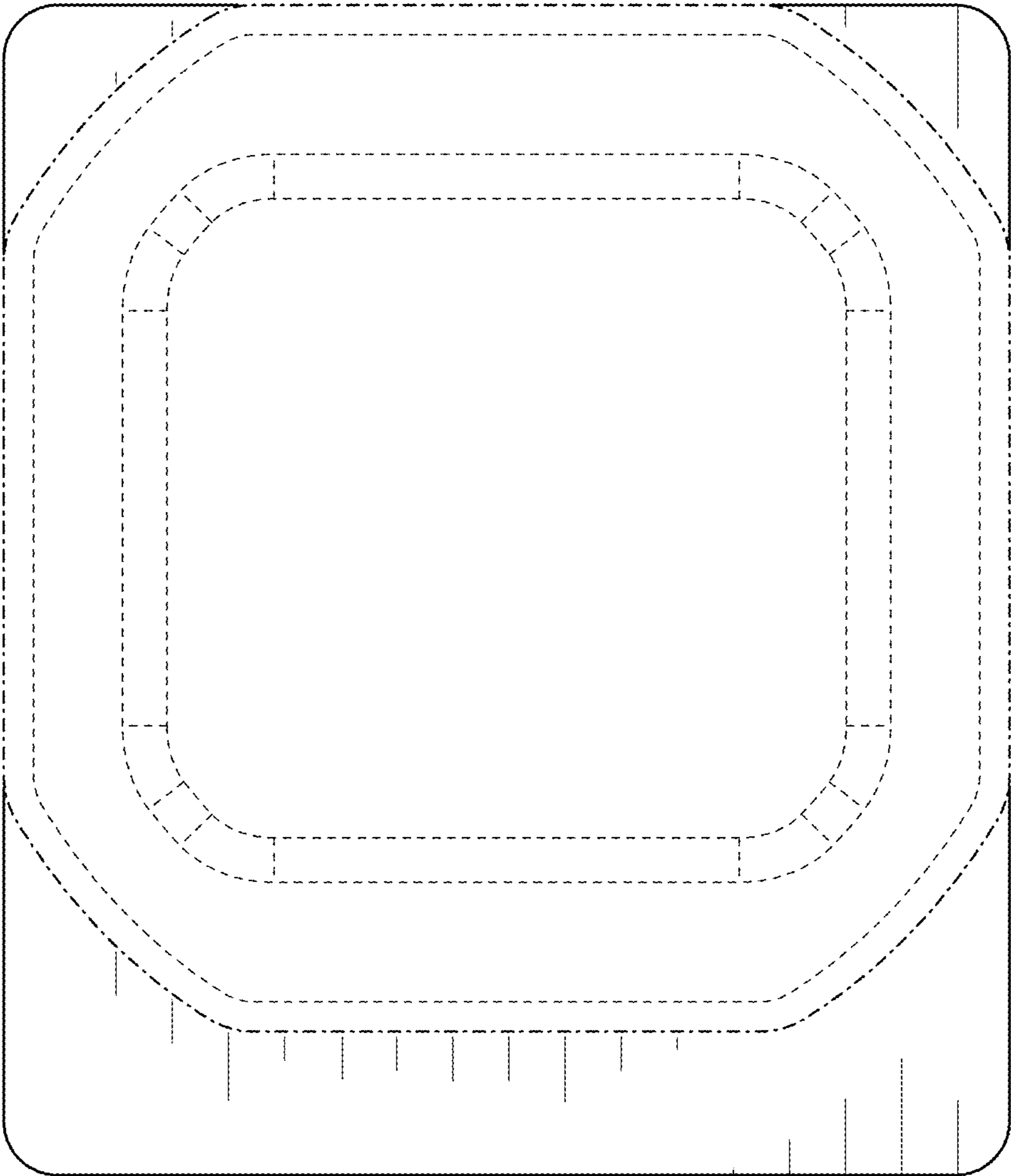


FIG. 3

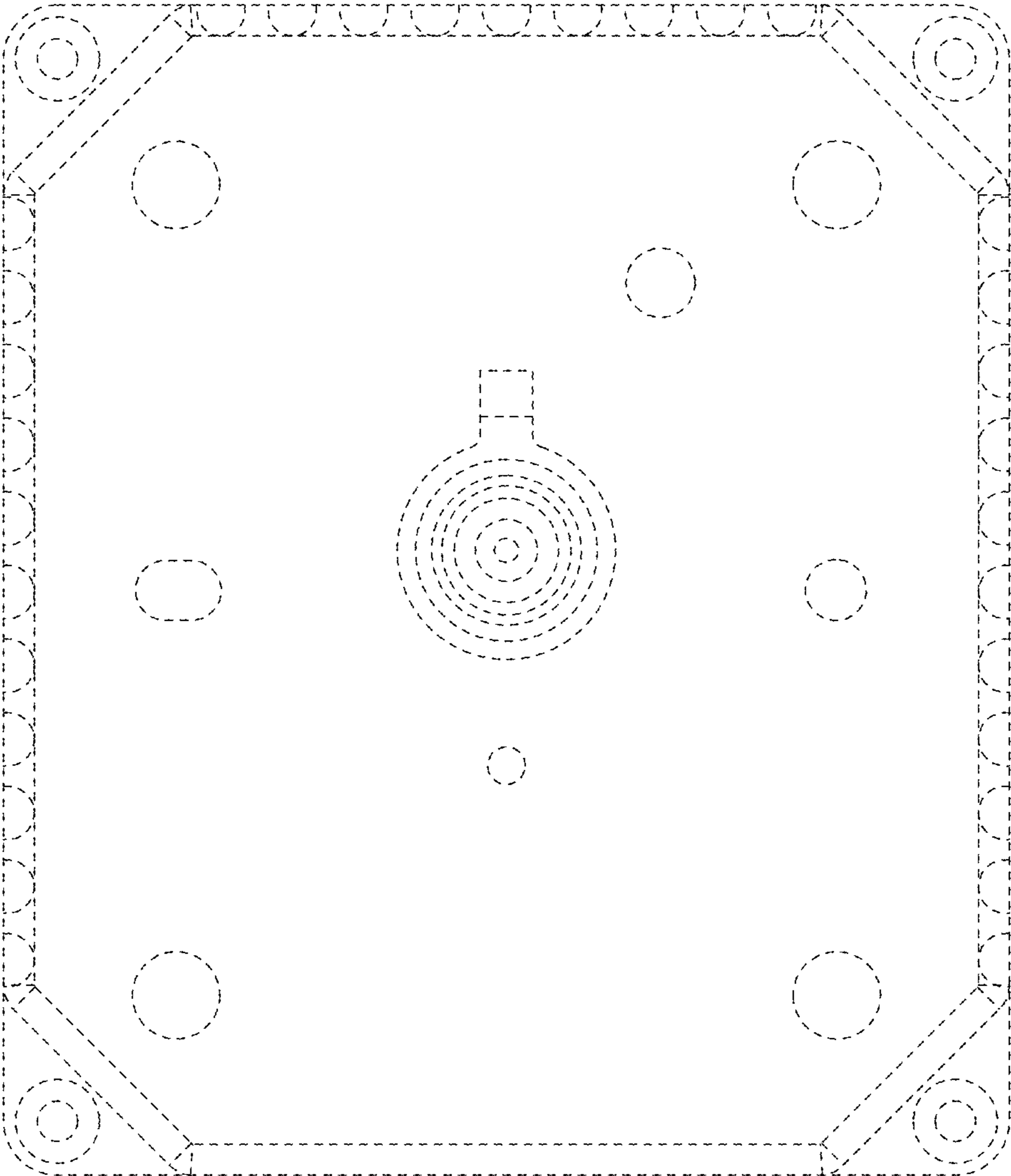


FIG. 4

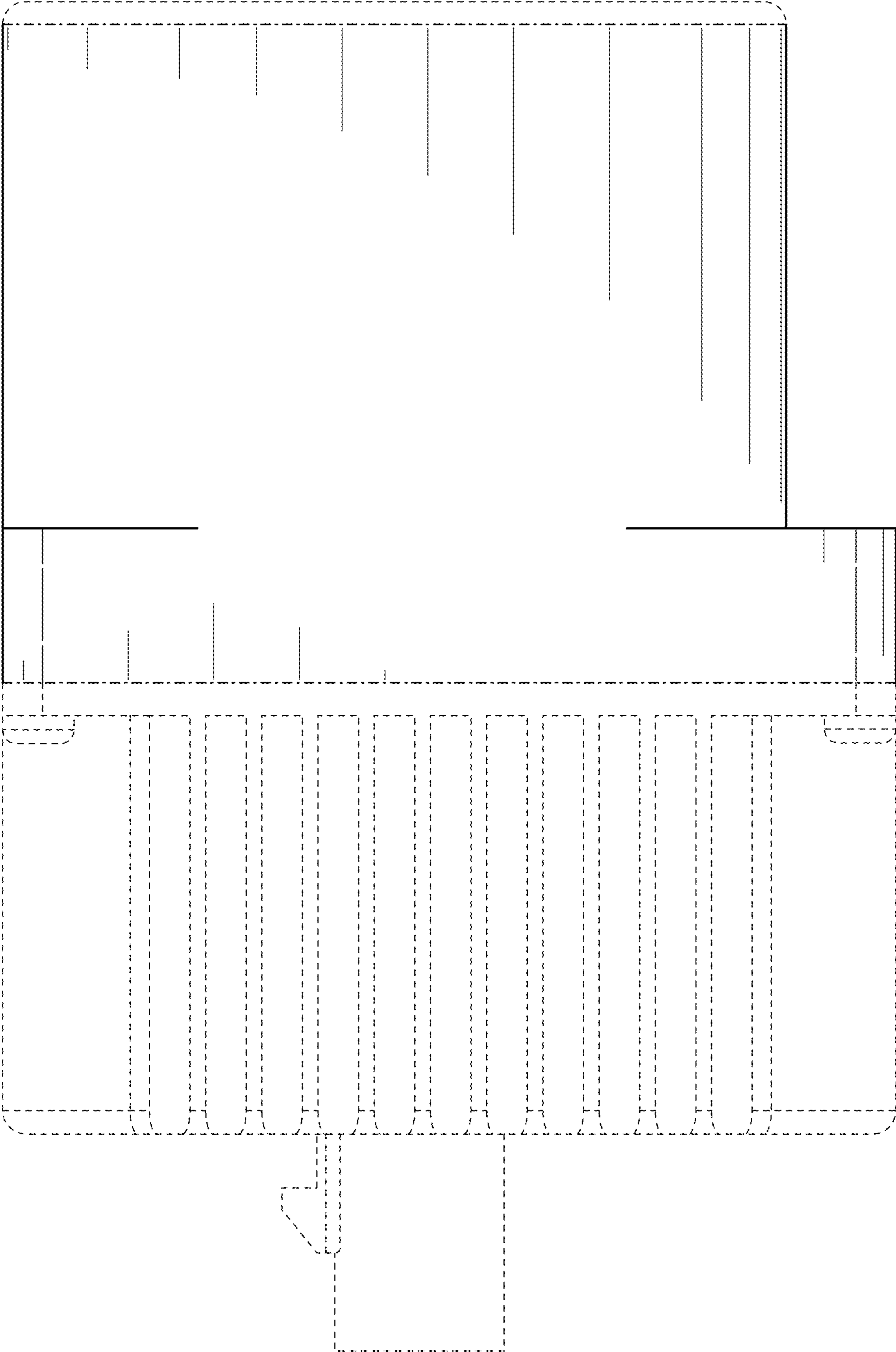


FIG. 5

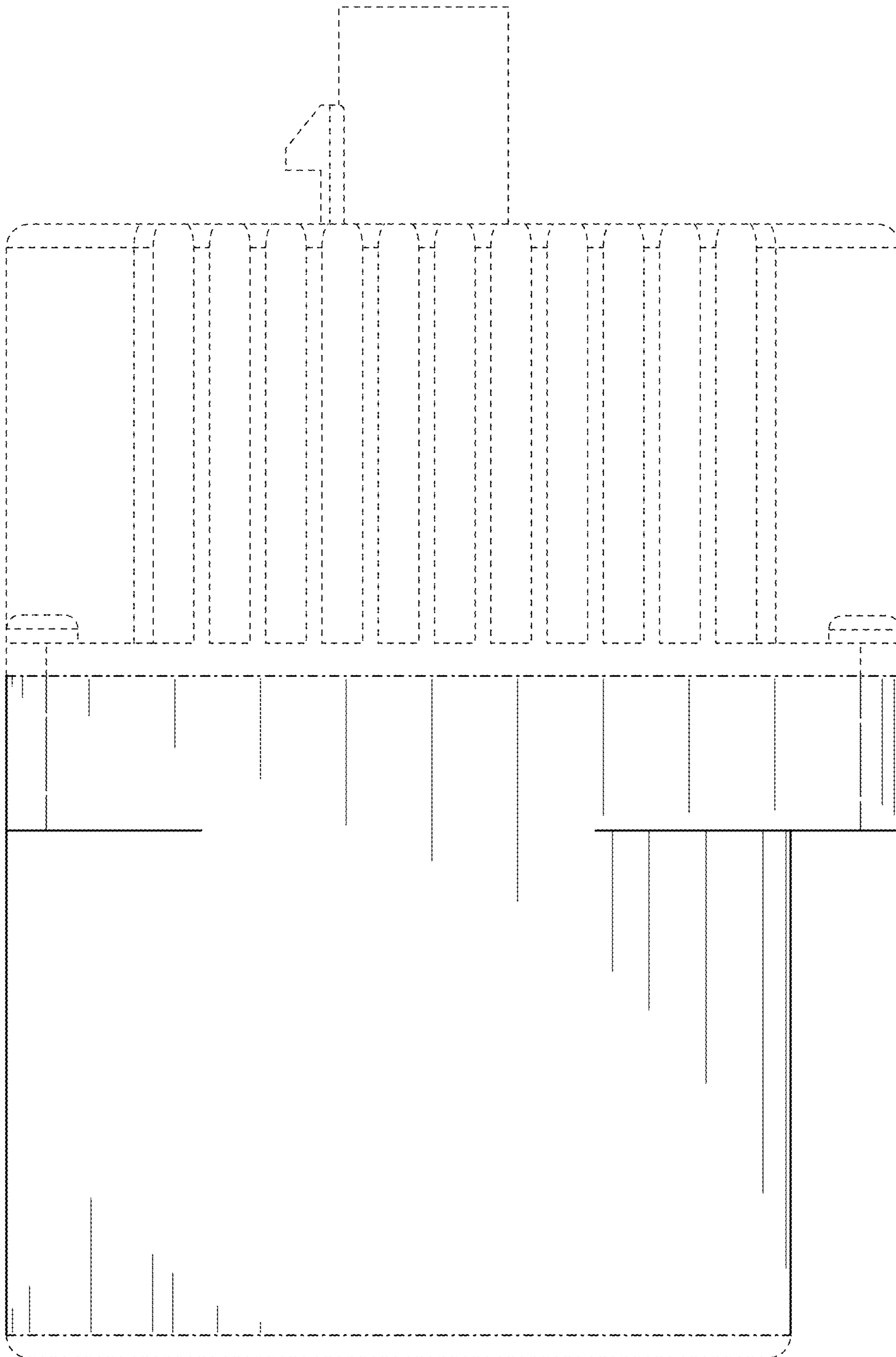


FIG. 6



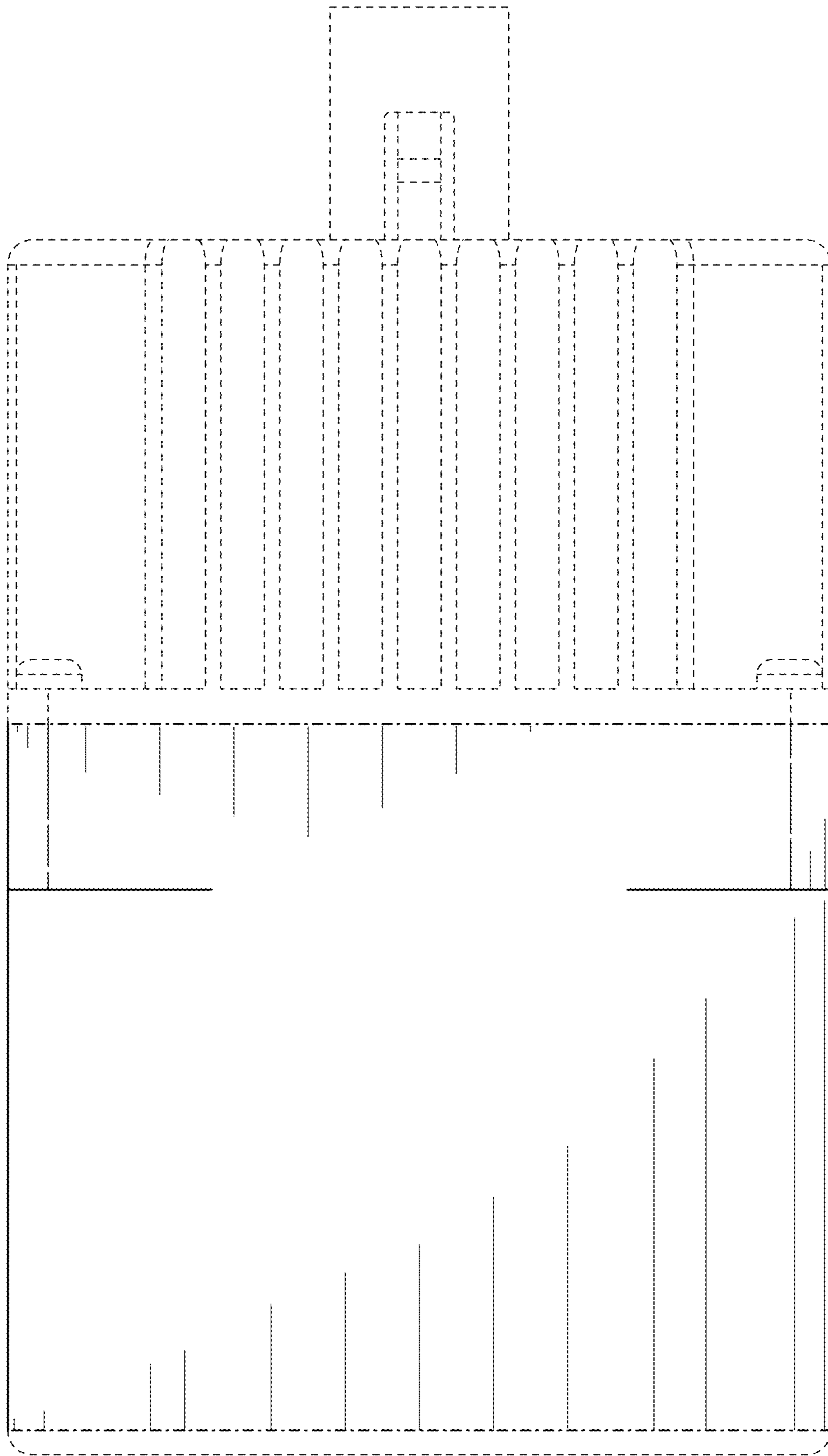


FIG. 7

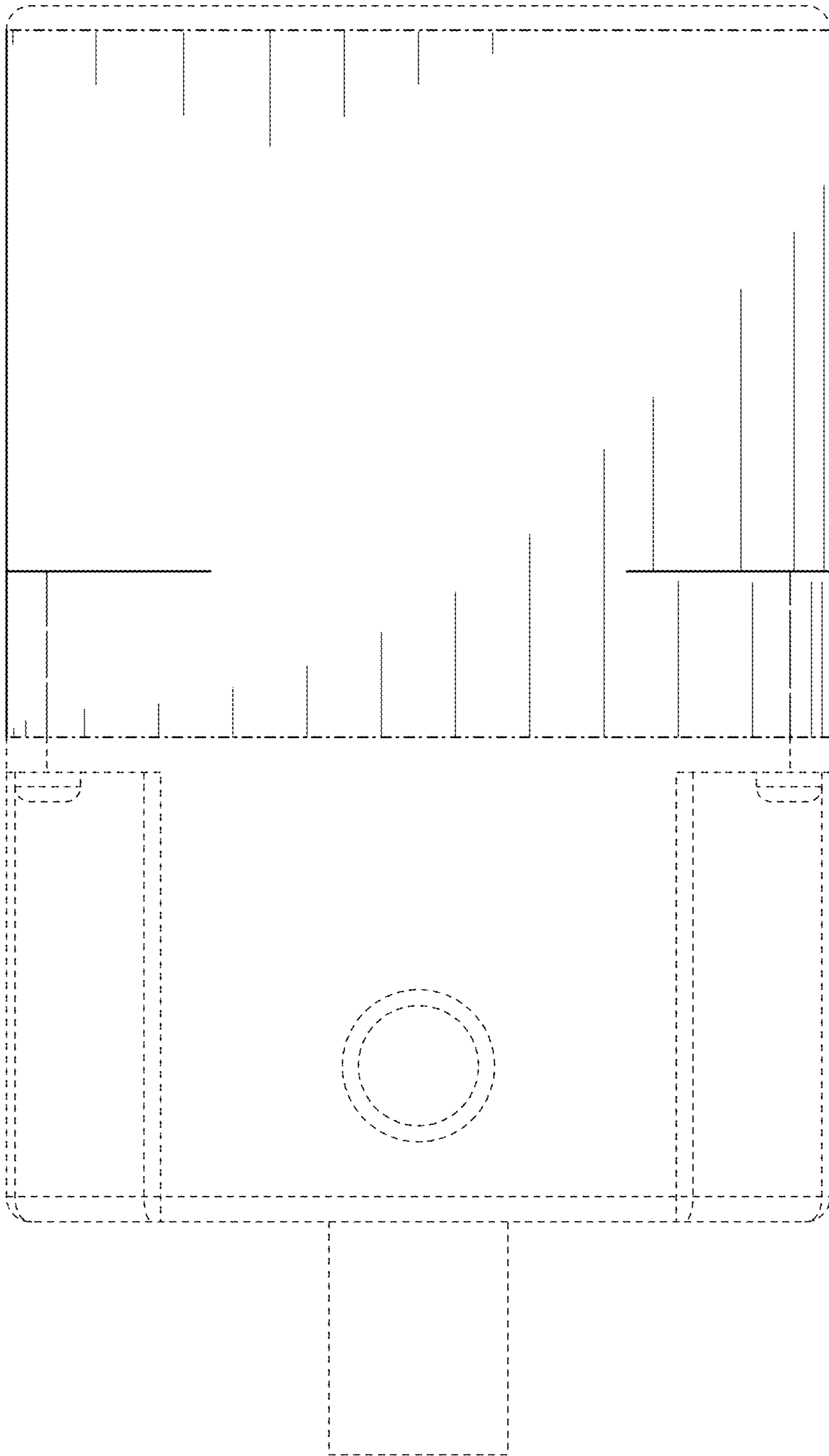


FIG. 8