



US00D959535S

(12) **United States Design Patent** (10) **Patent No.:** **US D959,535 S**  
**Park et al.** (45) **Date of Patent:** **\*\* Aug. 2, 2022**

(54) **CAMERA**

(71) Applicant: **Cisco Technology, Inc.**, San Jose, CA (US)

(72) Inventors: **Kyunyoung Park**, Foster City, CA (US); **Ramkrishna Swamy**, Morgan Hill, CA (US); **Nicholas Dye Abalos**, San Francisco, CA (US); **Nicholas James Kaoru Kawamoto**, Novato, CA (US); **Parmis Taidy**, San Bruno, CA (US); **Ian Matthew Snyder**, San Francisco, CA (US); **Brad Andrew Palladino**, Oakland, CA (US)

(73) Assignee: **CISCO TECHNOLOGY, INC.**, San Jose, CA (US)

(\*\*) Term: **15 Years**

(21) Appl. No.: **29/739,719**

(22) Filed: **Jun. 29, 2020**

(51) **LOC (13) Cl.** ..... **16-01**

(52) **U.S. Cl.**  
USPC ..... **D16/203**

(58) **Field of Classification Search**  
USPC ..... D16/200, 202–206, 218, 219, 242;  
348/143, 148, 151, 373–376; 396/419,  
396/427, 535, 539–541  
CPC ..... G03B 17/02; G03B 19/04; G03B 17/56;  
G03B 17/04; G03B 15/03; H04N 5/2251;  
H04N 5/2252; H04N 5/2253; H04N  
5/2254; H04N 7/181; H04N 7/183; H04N  
7/18; G08B 13/1963; G08B 13/19619;  
G08B 13/19632; F16M 11/04; F16M  
13/00

See application file for complete search history.

(56) **References Cited**

U.S. PATENT DOCUMENTS

D514,150 S *	1/2006	Muto .....	D16/203
D585,926 S *	2/2009	Su .....	D16/203
D634,345 S *	3/2011	Kim .....	D16/203
D634,347 S *	3/2011	Park .....	D16/203
D643,453 S *	8/2011	Ham .....	D16/203
D691,187 S *	10/2013	Seo .....	D16/203
D702,274 S *	4/2014	Qian .....	D16/203
D731,574 S *	6/2015	Hallstrom .....	D16/203
D823,369 S *	7/2018	Wang .....	D16/203
D827,691 S *	9/2018	Zhong .....	D16/203
D857,078 S *	8/2019	Xue .....	D16/203
D881,970 S *	4/2020	Peng .....	D16/203
D900,190 S *	10/2020	Park .....	D16/203

\* cited by examiner

*Primary Examiner* — Ramzi Almatrahi

(74) *Attorney, Agent, or Firm* — Polsinelli PC

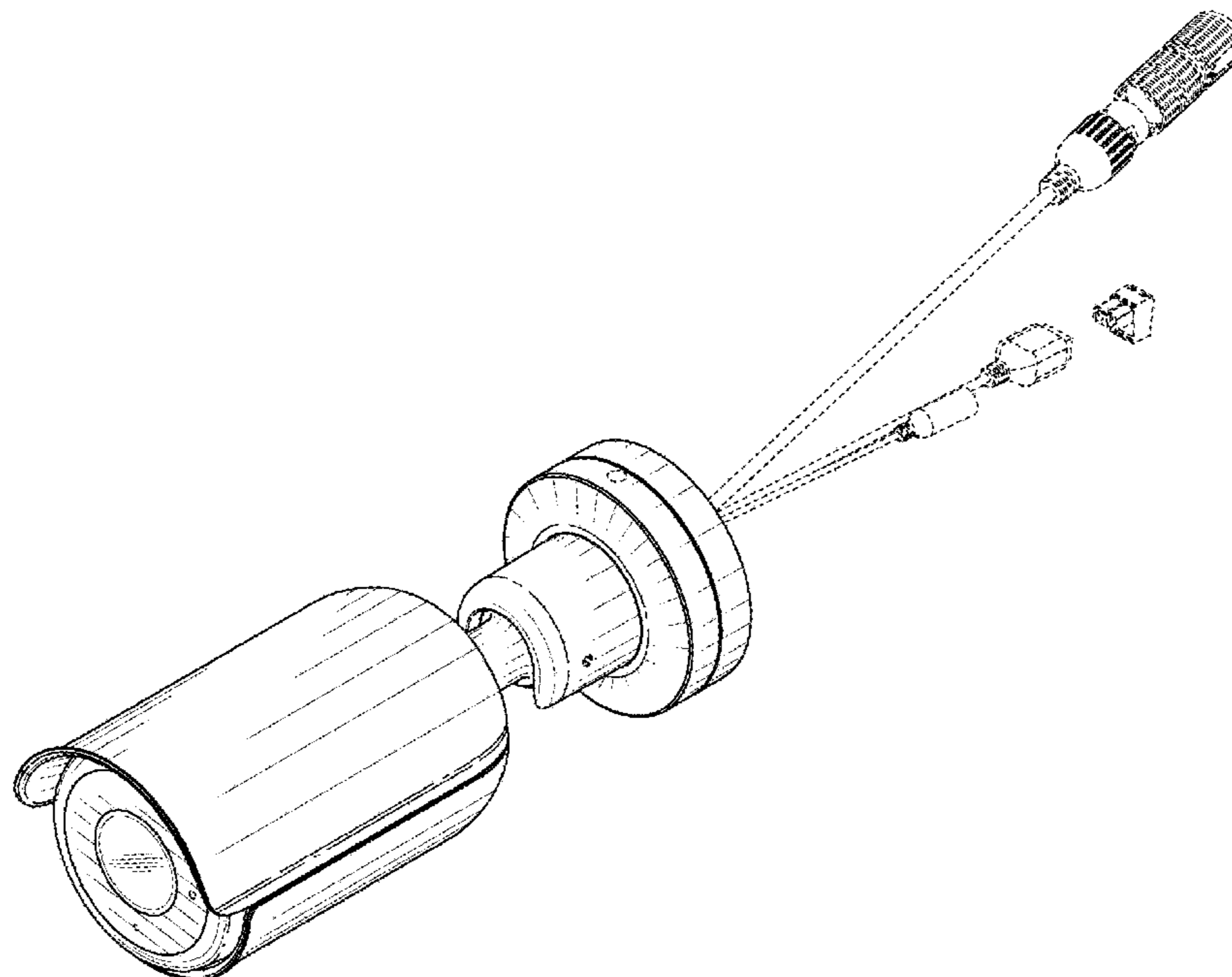
(57) **CLAIM**

We claim the ornamental design for a camera, as shown and described.

**DESCRIPTION**

FIG. 1 is a front perspective view of a camera showing our new design;  
FIG. 2 is a front elevational view thereof;  
FIG. 3 is a rear elevational view thereof;  
FIG. 4 is a right side elevational view thereof;  
FIG. 5 is a left side elevational view thereof;  
FIG. 6 is a top plan view thereof; and,  
FIG. 7 is a bottom plan view thereof.  
The broken lines depict portions of the camera in which the design is embodied that form no part of the claimed design.

**1 Claim, 4 Drawing Sheets**



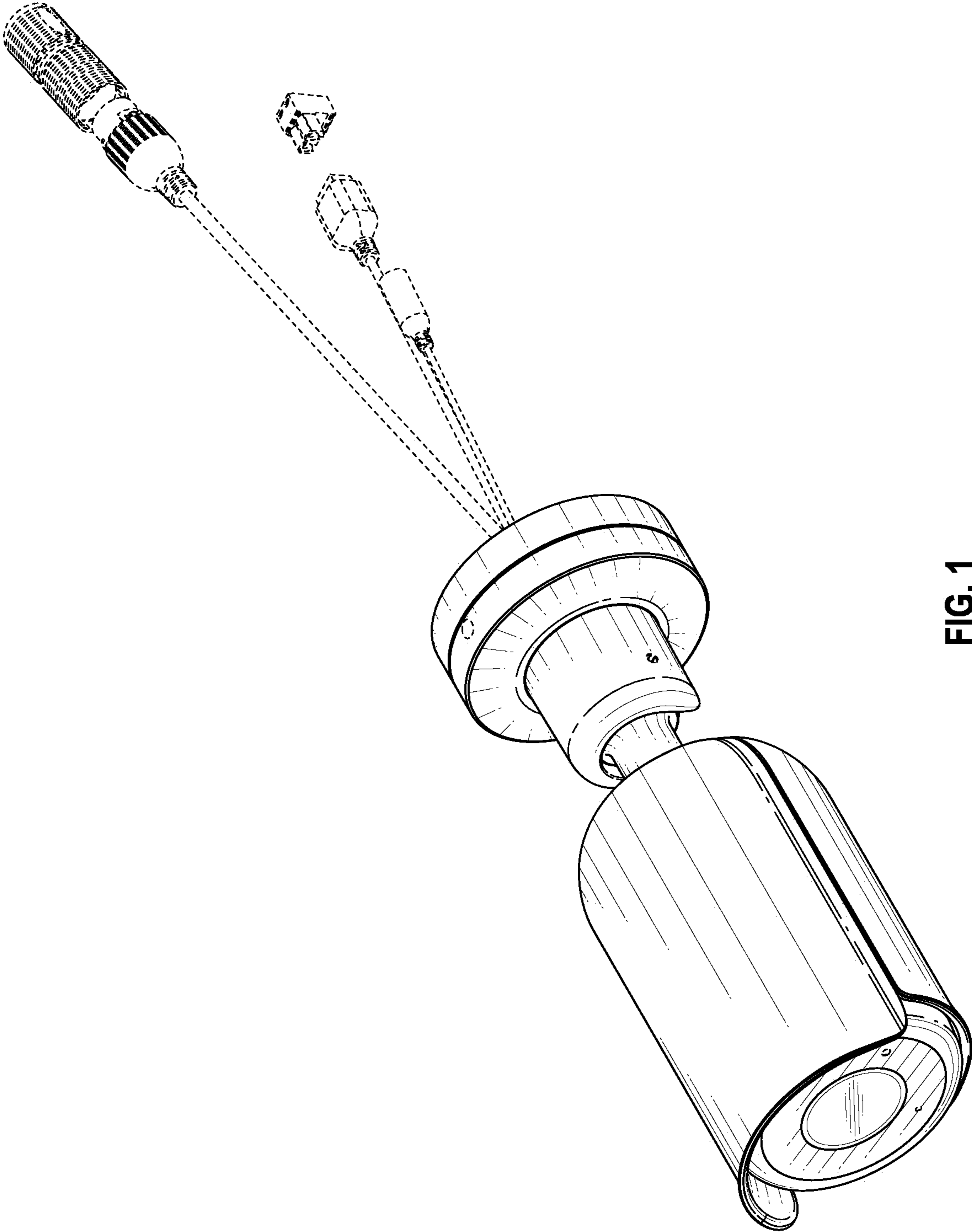


FIG. 1

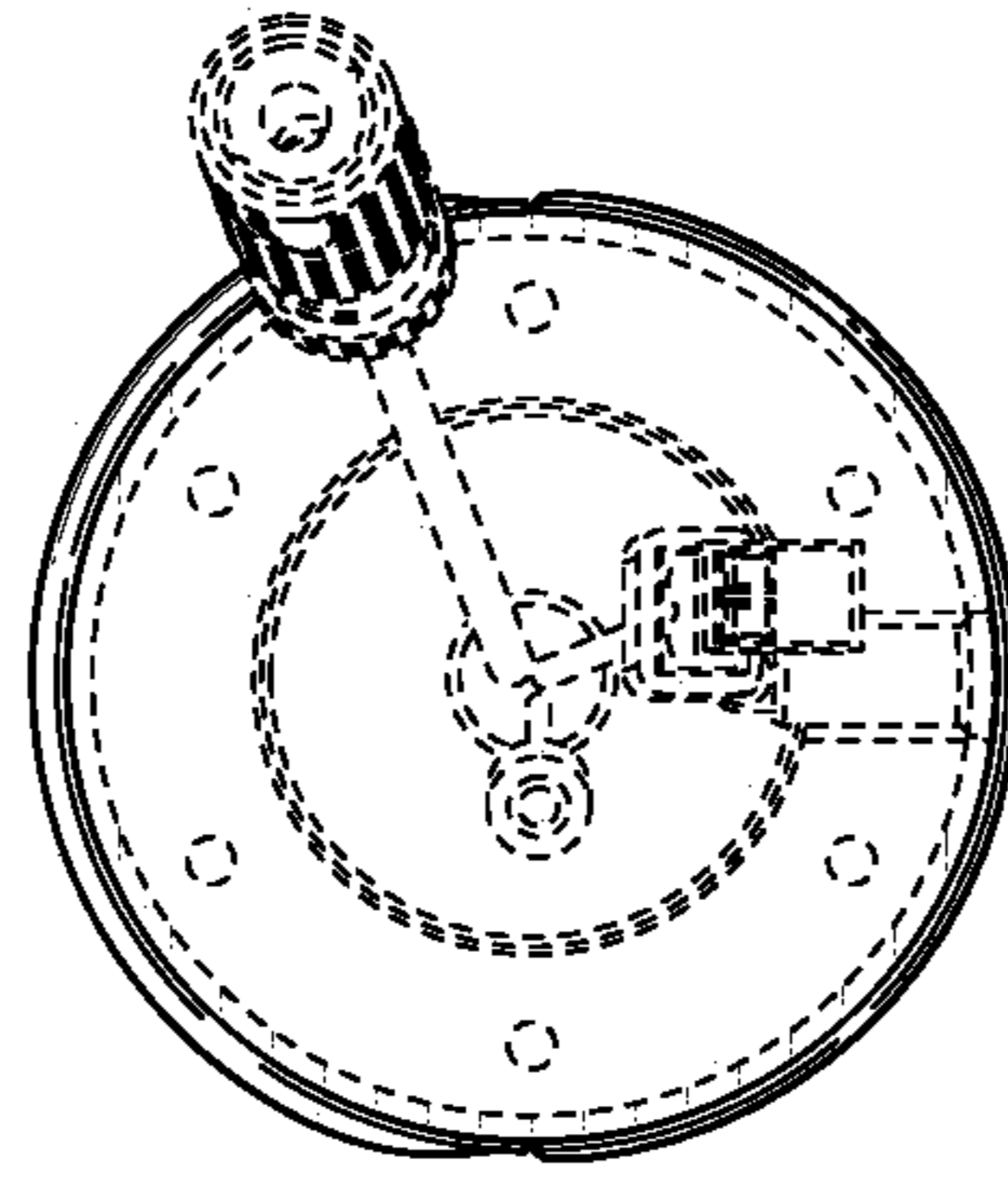


FIG. 3

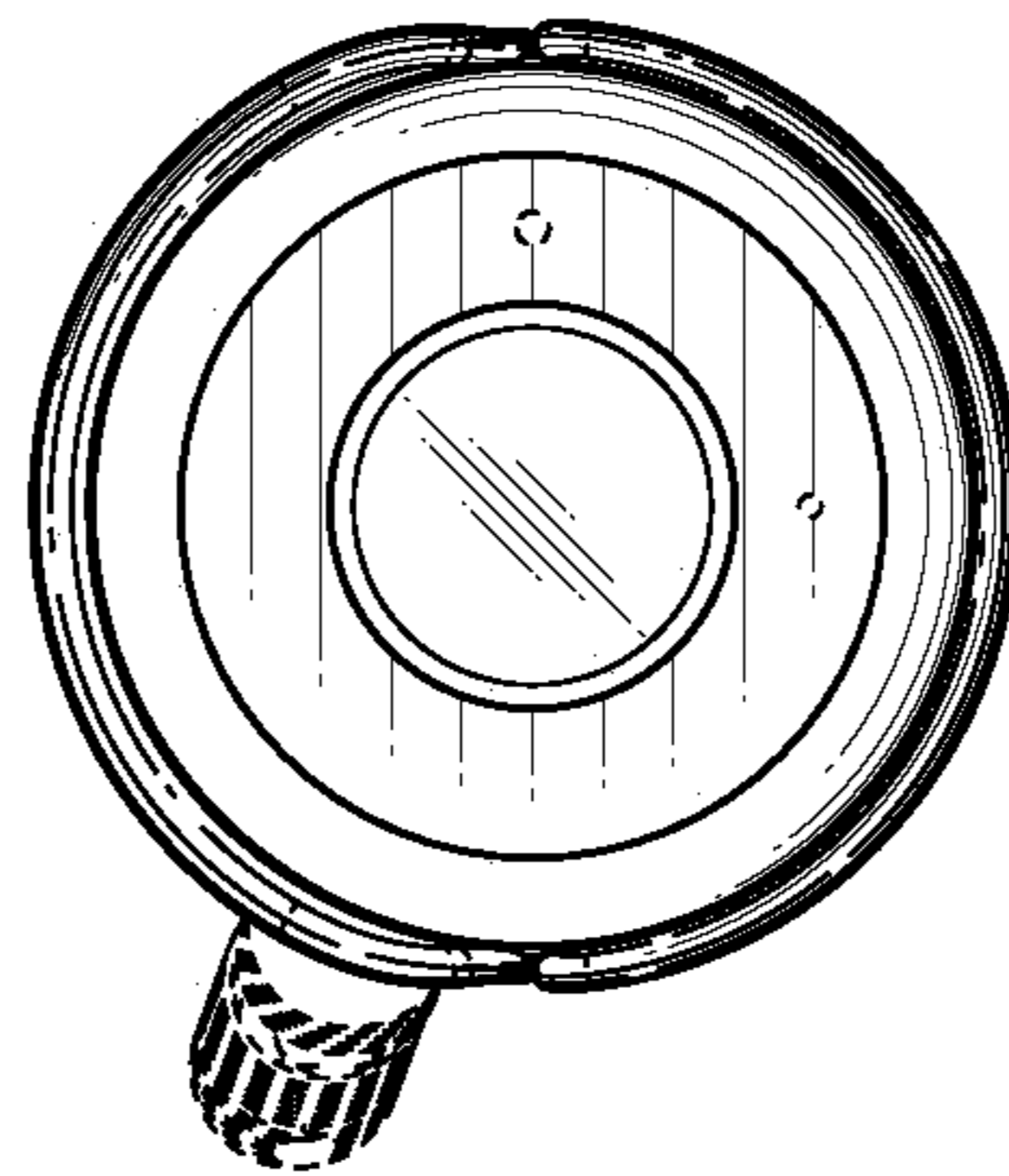


FIG. 2

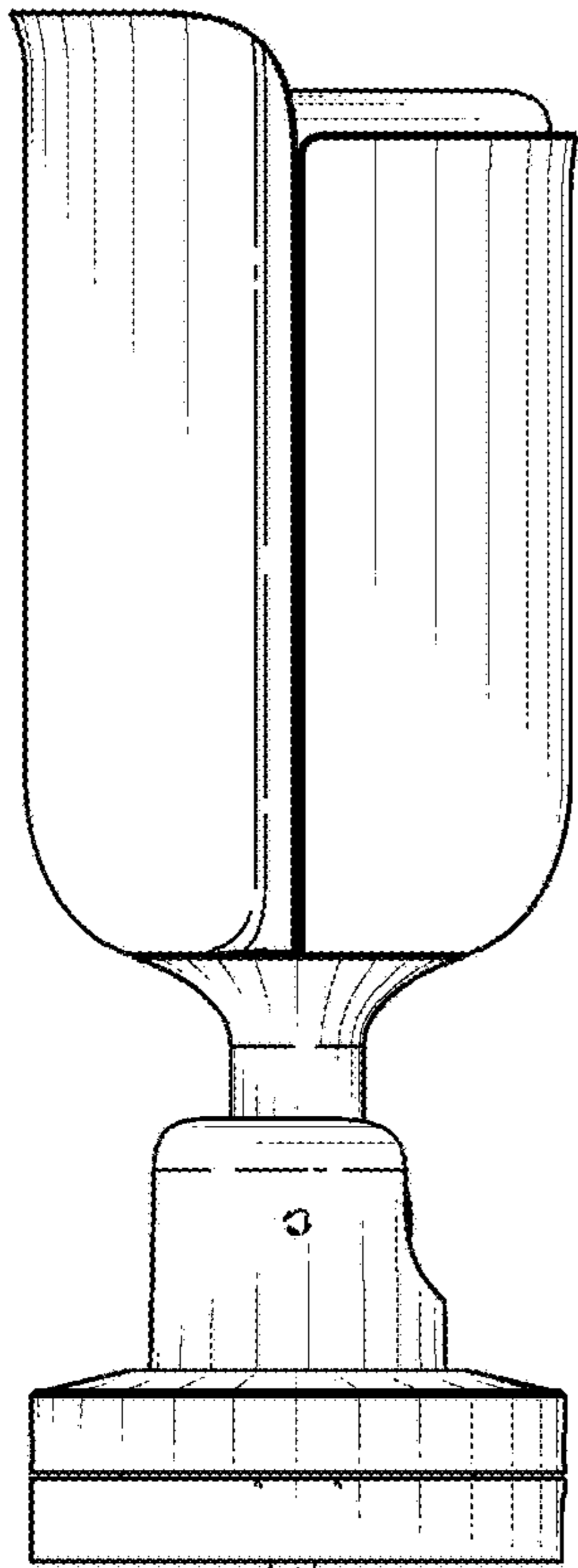


FIG. 4

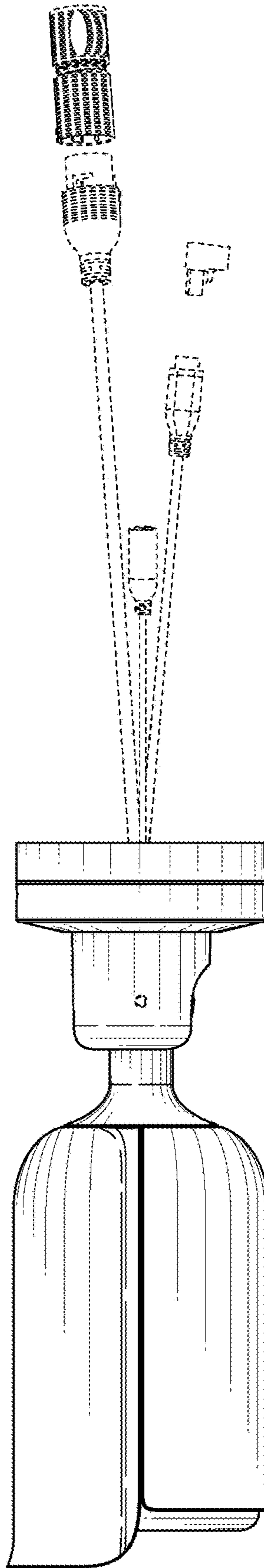
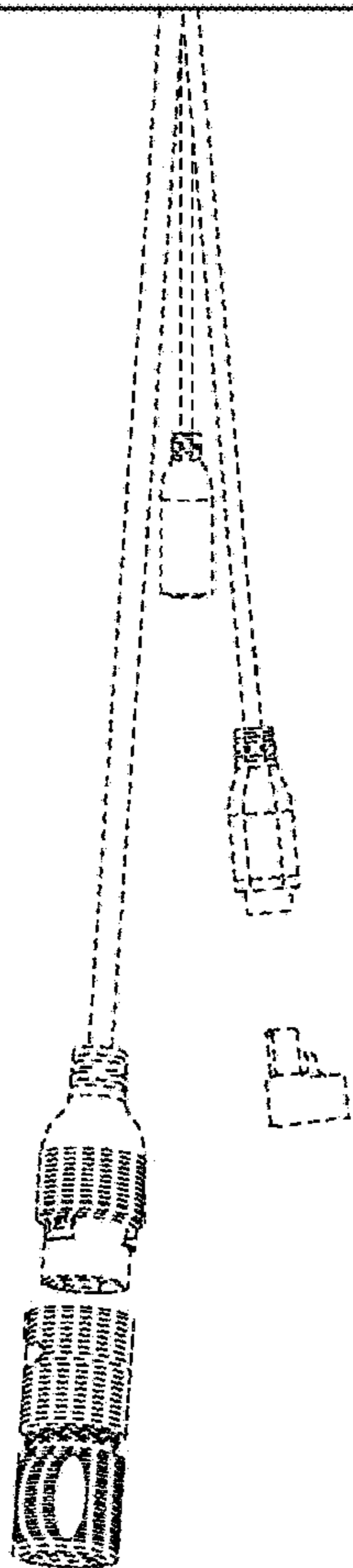


FIG. 5



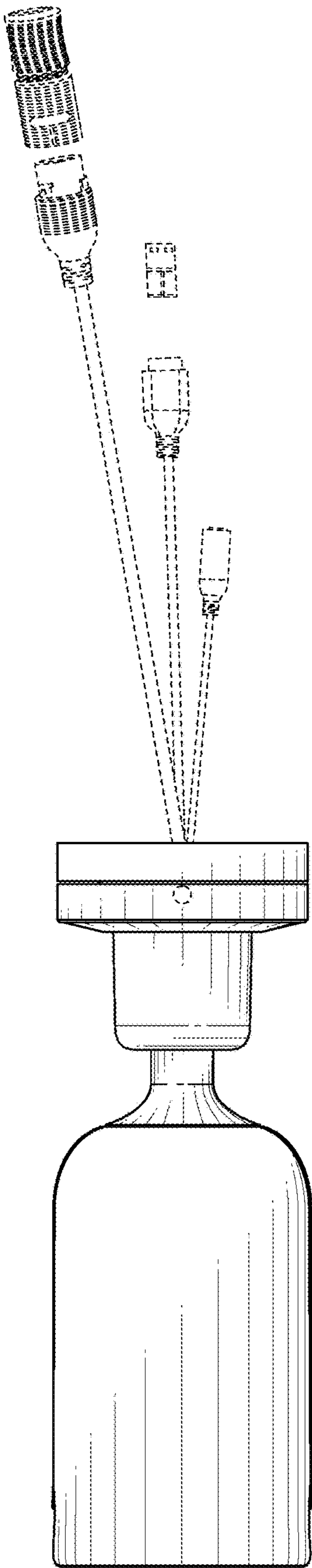


FIG. 6

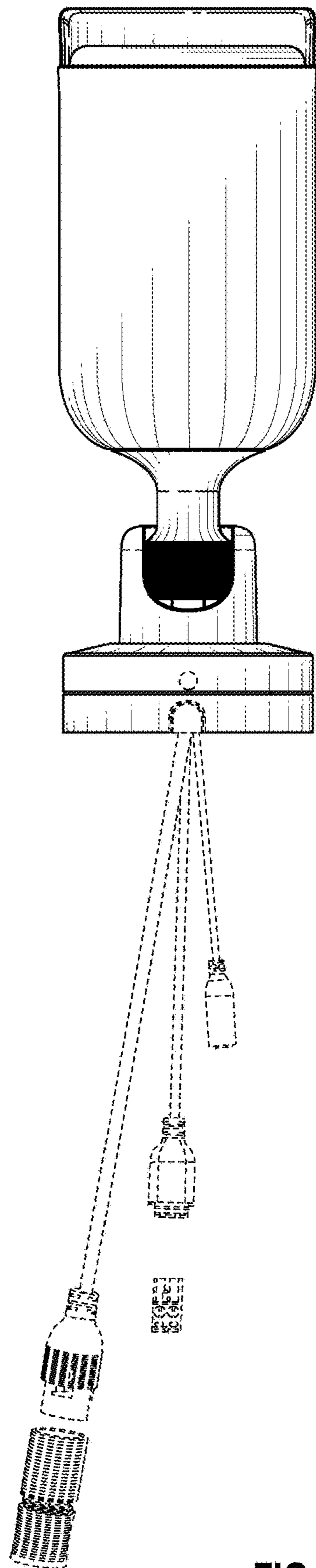


FIG. 7