



US00D959534S

(12) **United States Design Patent**  
**Wang**

(10) **Patent No.:** **US D959,534 S**

(45) **Date of Patent:** **\*\* Aug. 2, 2022**

(54) **HUNTING CAMERA**

(71) Applicant: **Shenzhen Zecre Technology Co., Ltd,**  
Shenzhen (CN)

(72) Inventor: **WenZe Wang,** Shenzhen (CN)

(\*\*) Term: **15 Years**

(21) Appl. No.: **29/735,162**

(22) Filed: **May 19, 2020**

(51) **LOC (13) Cl.** ..... **16-01**

(52) **U.S. Cl.**

USPC ..... **D16/203**

(58) **Field of Classification Search**

USPC ..... D16/200–203, 207–208, 218–219;  
D10/46, 60, 62, 65, 104.1, 106.6, 106.7,  
D10/109.1, 109.2, 121; D14/137;  
D21/517

CPC ..... G03B 17/00; G03B 17/02; G03B 17/08;  
G03B 2217/00; H04N 5/2251; H04N  
5/2252; H04N 5/22521; H04N 5/2258;  
H04N 5/23218

See application file for complete search history.

(56) **References Cited**

**U.S. PATENT DOCUMENTS**

D838,763 S *	1/2019	Yu	.....	D16/218
D874,545 S *	2/2020	Wang	.....	D16/218
D874,546 S *	2/2020	Yu	.....	D16/218
D892,757 S *	8/2020	Pang	.....	D14/137
D918,986 S *	5/2021	Yu	.....	D16/218
D920,416 S *	5/2021	Jiang	.....	D16/203
D921,735 S *	6/2021	Yu	.....	D16/203
D924,827 S *	7/2021	Tschopp	.....	D14/137
D945,511 S *	3/2022	Yu	.....	D16/203

**FOREIGN PATENT DOCUMENTS**

CN	303070052	*	1/2015
CN	306072257	*	9/2020

**OTHER PUBLICATIONS**

“Meidase P90 WiFi Trail Camera, 32MP 1296P, Wide 120° View Angle, H.264 HD Video Game Cameras with Night Vision Motion Activated Waterproof, Phone App” from Amazon.com, first available Aug. 27, 2021 from the internet <<https://www.amazon.com/Meidase-Camera-Bluetooth-Activated-Waterproof/dp/B098QP6GZK/>> (Year: 2021).\*

“20MP Hunting Trail Camera Wildlife Camera Night Vision Motion Activated Outdoor Trail Camera HC804A Wildlife Scouting” from aliexpress.com, first retrieved May 13, 2022 from the internet <[https://www.aliexpress.com/item/1005001872493981.html?randl\\_currency=USD&\\_randl\\_shipto=US&src=google&aff\\_fcid=b30dfcddf2f44caebddd4efe6c6a2545-1652482402828-03310-UneMJZVf&aff\\_fsk=UneMJZVf&aff\\_platform=aaf&sk=UneMJZVf&aff\\_trace\\_key=b30dfcddf2f44caebddd4efe6c6a2545-1652482402828-03310-UneMJZVf&terminal\\_id=e670f178c53046dfbc6bf68a5a503186&afSmartRedirect=y>](https://www.aliexpress.com/item/1005001872493981.html?randl_currency=USD&_randl_shipto=US&src=google&aff_fcid=b30dfcddf2f44caebddd4efe6c6a2545-1652482402828-03310-UneMJZVf&aff_fsk=UneMJZVf&aff_platform=aaf&sk=UneMJZVf&aff_trace_key=b30dfcddf2f44caebddd4efe6c6a2545-1652482402828-03310-UneMJZVf&terminal_id=e670f178c53046dfbc6bf68a5a503186&afSmartRedirect=y>)> (Year: 2022).\*

\* cited by examiner

*Primary Examiner* — Michelle E. Wilson

*Assistant Examiner* — Lacey Chey Bowman

(74) *Attorney, Agent, or Firm* — Rumit Ranjit Kanakia

(57) **CLAIM**

I claim the ornamental design for a hunting camera, as shown and described.

**DESCRIPTION**

FIG. 1 is a Perspective view of a hunting camera showing my new design;

FIG. 2 is other Perspective view thereof;

FIG. 3 is a Front view thereof;

FIG. 4 is a Back view thereof;

FIG. 5 is a Right-side view thereof;

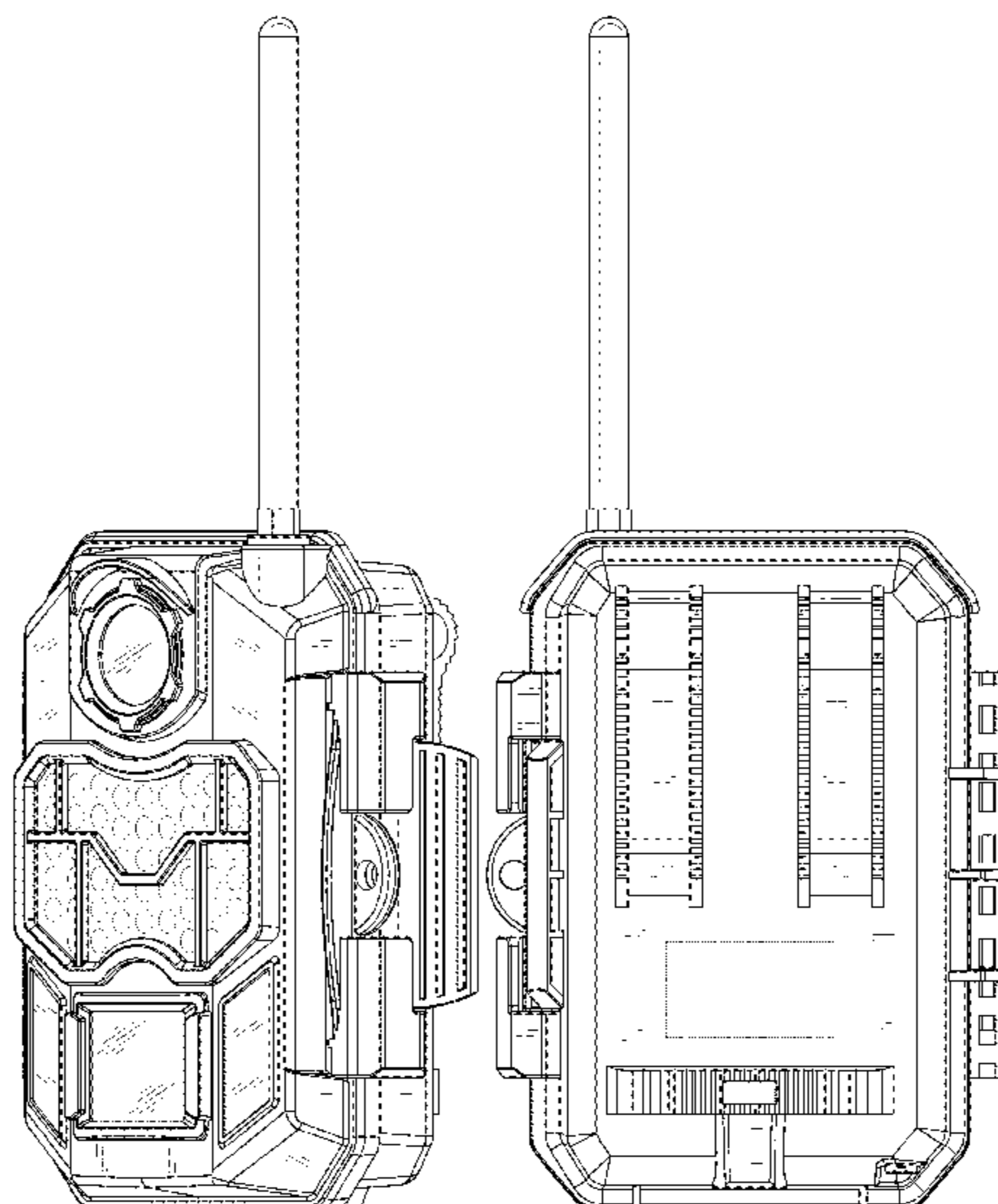
FIG. 6 is a Left-side view thereof;

FIG. 7 is a Top view thereof; and,

FIG. 8 is a Bottom view thereof.

The broken lines are only for environmental purposes and form no part of the claimed design.

**1 Claim, 7 Drawing Sheets**



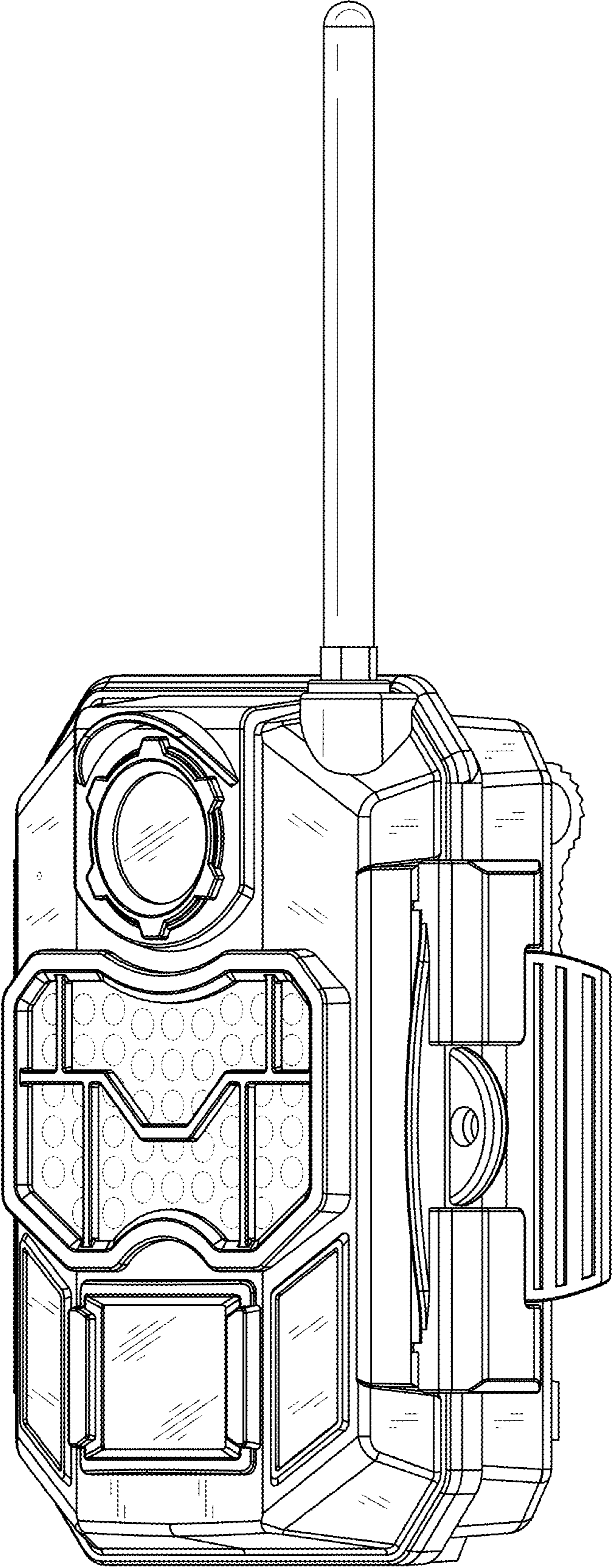


FIG. 1

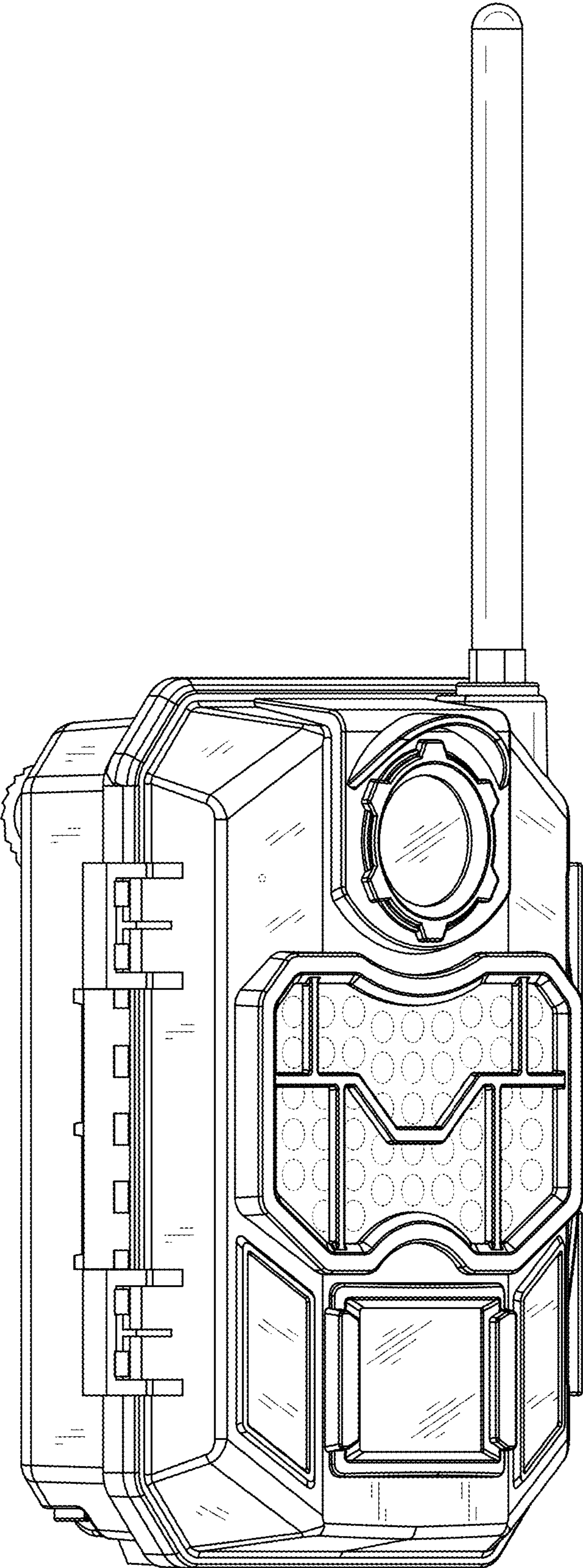


FIG. 2

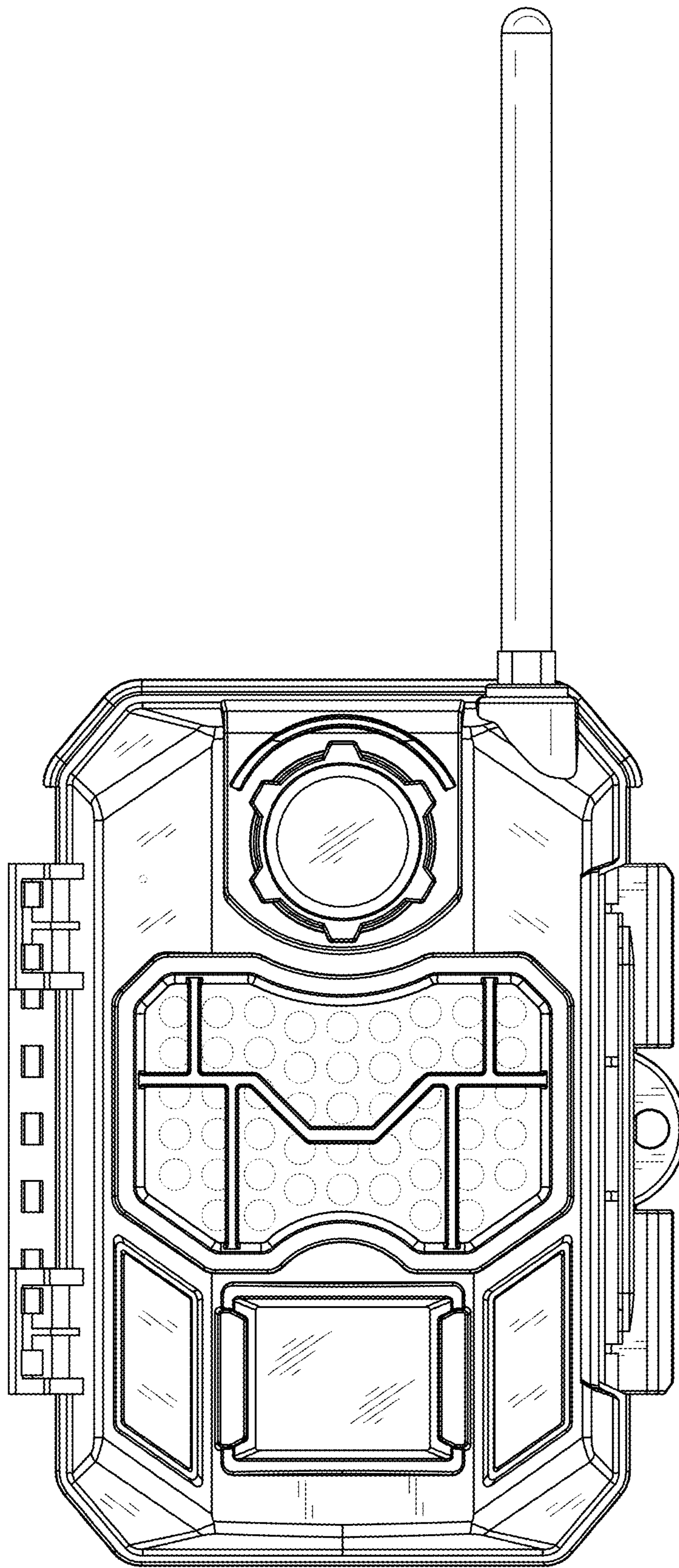


FIG. 3

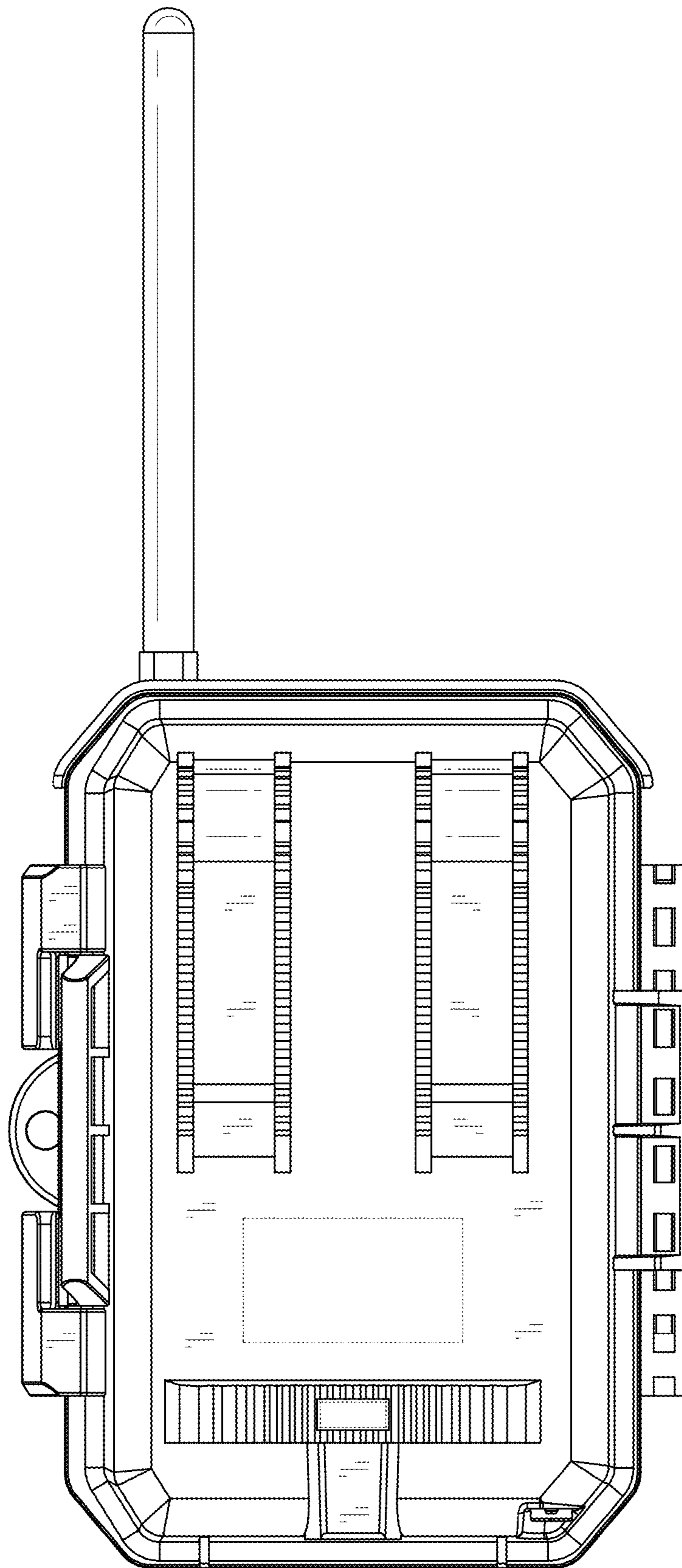


FIG. 4

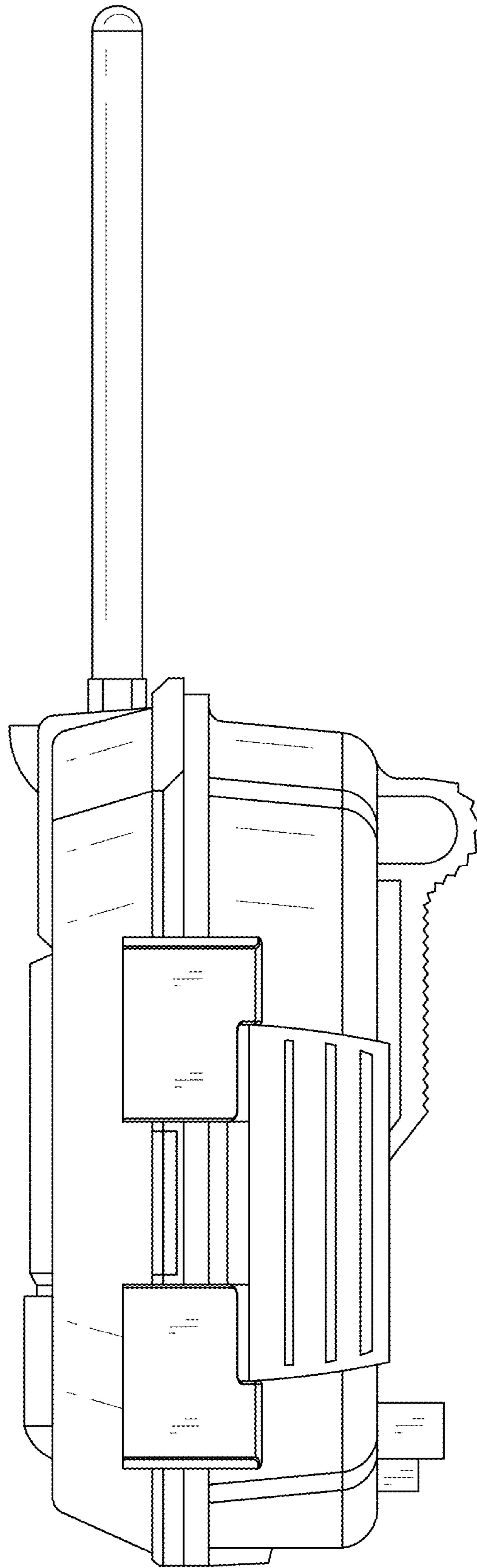


FIG. 5

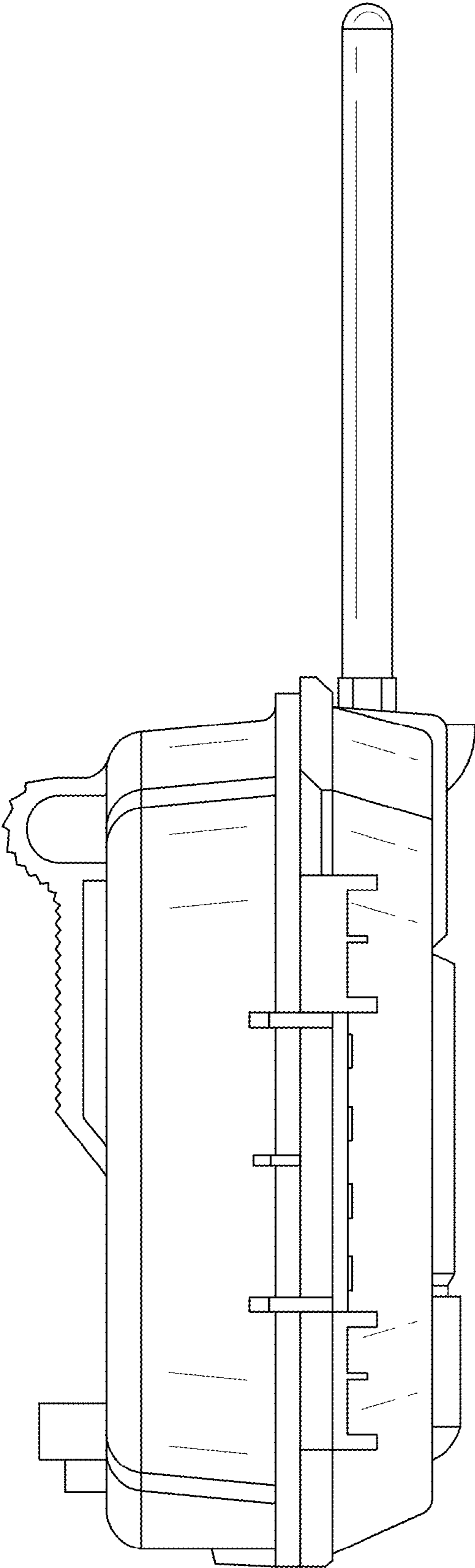


FIG. 6

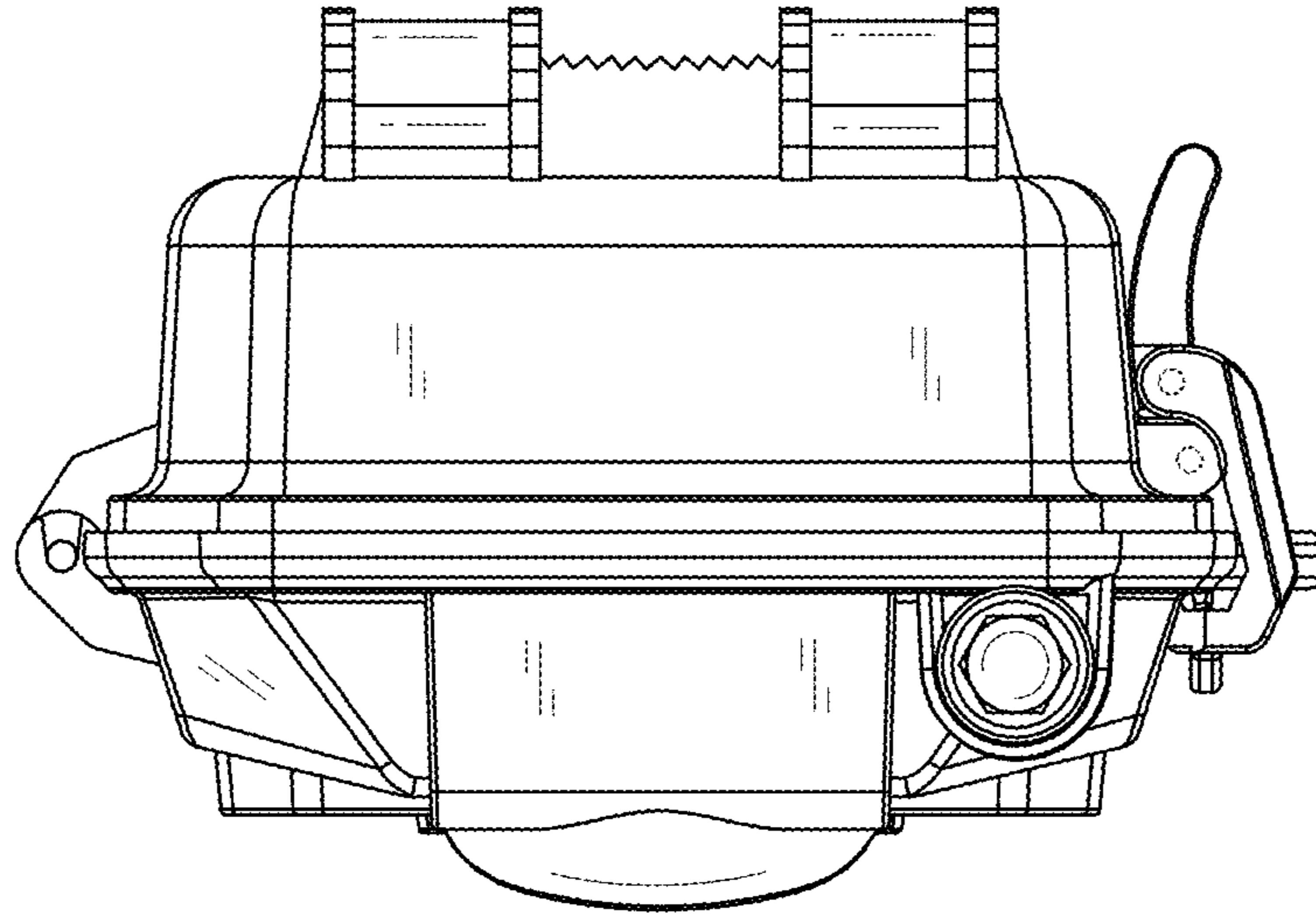


FIG. 7

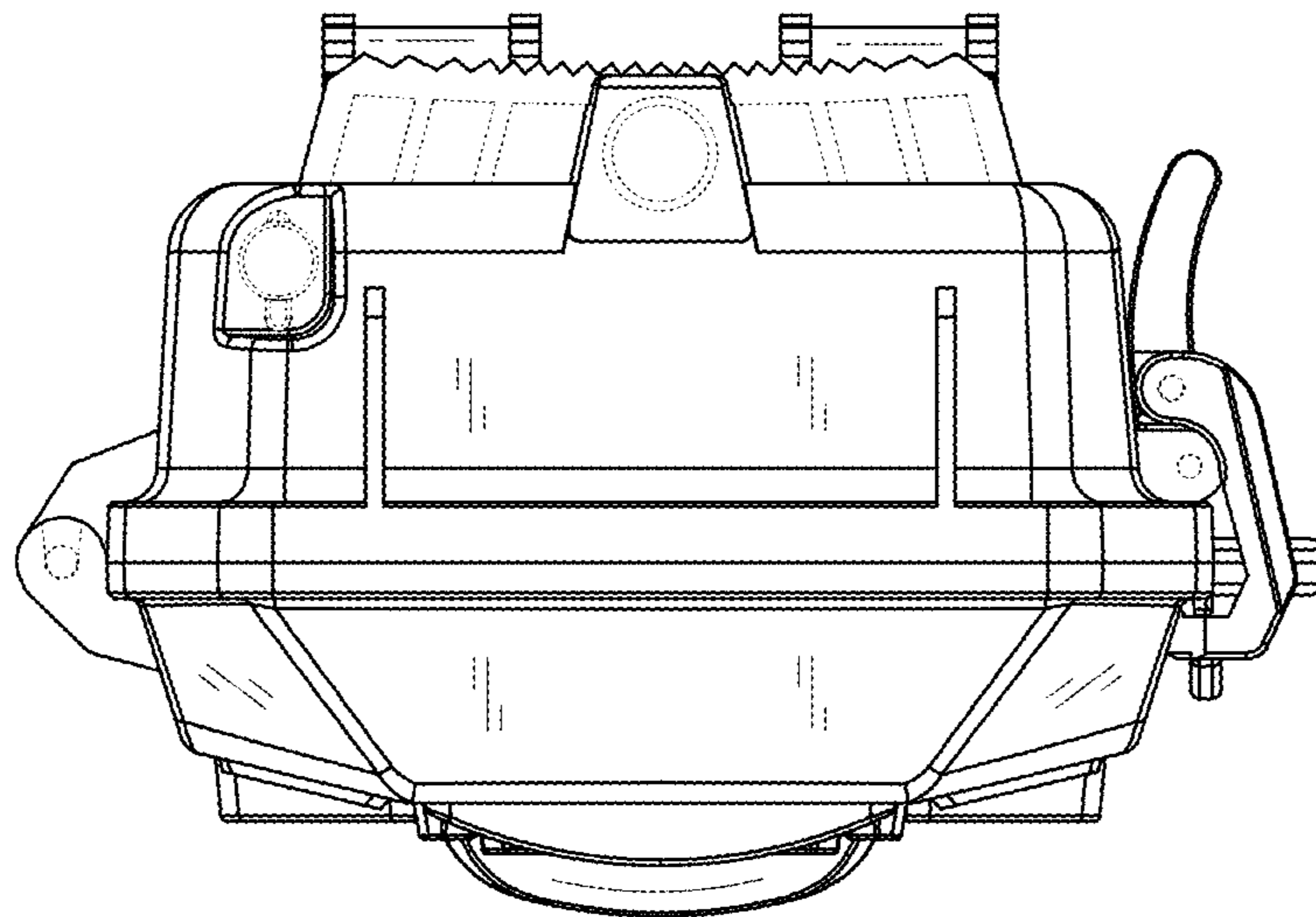


FIG. 8