



US00D959530S

(12) **United States Design Patent** (10) **Patent No.:** **US D959,530 S**  
**Smith** (45) **Date of Patent:** **\*\* Aug. 2, 2022**

(54) **APPARATUS FOR PROVIDING BROADBAND LIGHT**

(71) Applicant: **NKT Photonics A/S**, Birkerød (DK)

(72) Inventor: **Johannes Anders Smith**, Hellerup (DK)

(\*\*) Term: **15 Years**

(21) Appl. No.: **35/508,838**

(22) Filed: **Jan. 31, 2020**

(80) **Hague Agreement Data**

Int. Filing Date: **Jan. 31, 2020**  
Int. Reg. No.: **DM/206424**  
Int. Reg. Date: **Jan. 31, 2020**  
Int. Reg. Pub. Date: **Mar. 20, 2020**

(51) **LOC (13) Cl.** ..... **16-99**

(52) **U.S. Cl.**  
USPC ..... **D16/130**

(58) **Field of Classification Search**  
USPC ..... D23/366; D26/51, 60, 72, 113; D3/263, D3/265, 266; D24/209, 210, 231; D14/204, 214, 215; D16/130; D10/78  
CPC ..... H01S 3/302; G01N 2201/06113  
See application file for complete search history.

(56) **References Cited**

**U.S. PATENT DOCUMENTS**

D342,522 S \* 12/1993 Kurachi ..... D14/213  
D497,897 S \* 11/2004 Modschiedler ..... D14/172  
D617,313 S \* 6/2010 Iseki ..... D14/214  
D718,275 S \* 11/2014 Shim ..... D14/214

D755,755 S \* 5/2016 Hewitt ..... D14/214  
D757,955 S \* 5/2016 Johnson ..... D24/209  
D771,018 S \* 11/2016 Espinosa ..... D14/214  
D796,837 S \* 9/2017 Wu ..... D3/265  
D800,095 S \* 10/2017 Yao ..... D14/214  
D815,618 S \* 4/2018 Choi ..... D14/214  
D853,008 S \* 7/2019 Joyeux ..... D26/72  
D877,497 S \* 3/2020 Stevens ..... D3/219  
D881,845 S \* 4/2020 Warnhammar ..... D14/214  
D913,987 S 3/2021 Li  
D922,352 S 6/2021 Byrd et al.

\* cited by examiner

*Primary Examiner* — Calvin E Vansant

(74) *Attorney, Agent, or Firm* — Buchanan Ingersoll & Rooney PC

(57) **CLAIM**

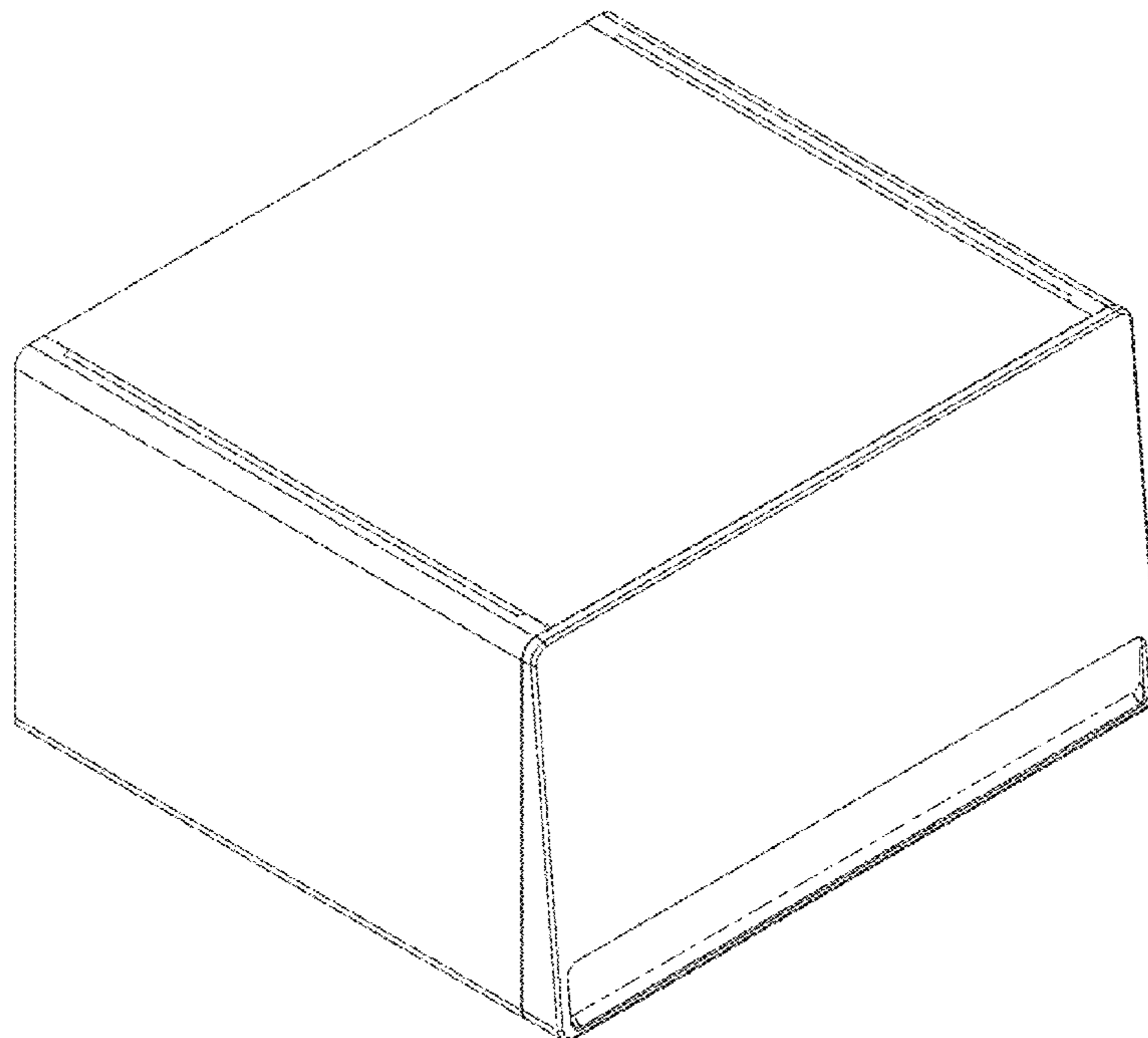
The ornamental design for apparatus for providing broadband light, as shown and described.

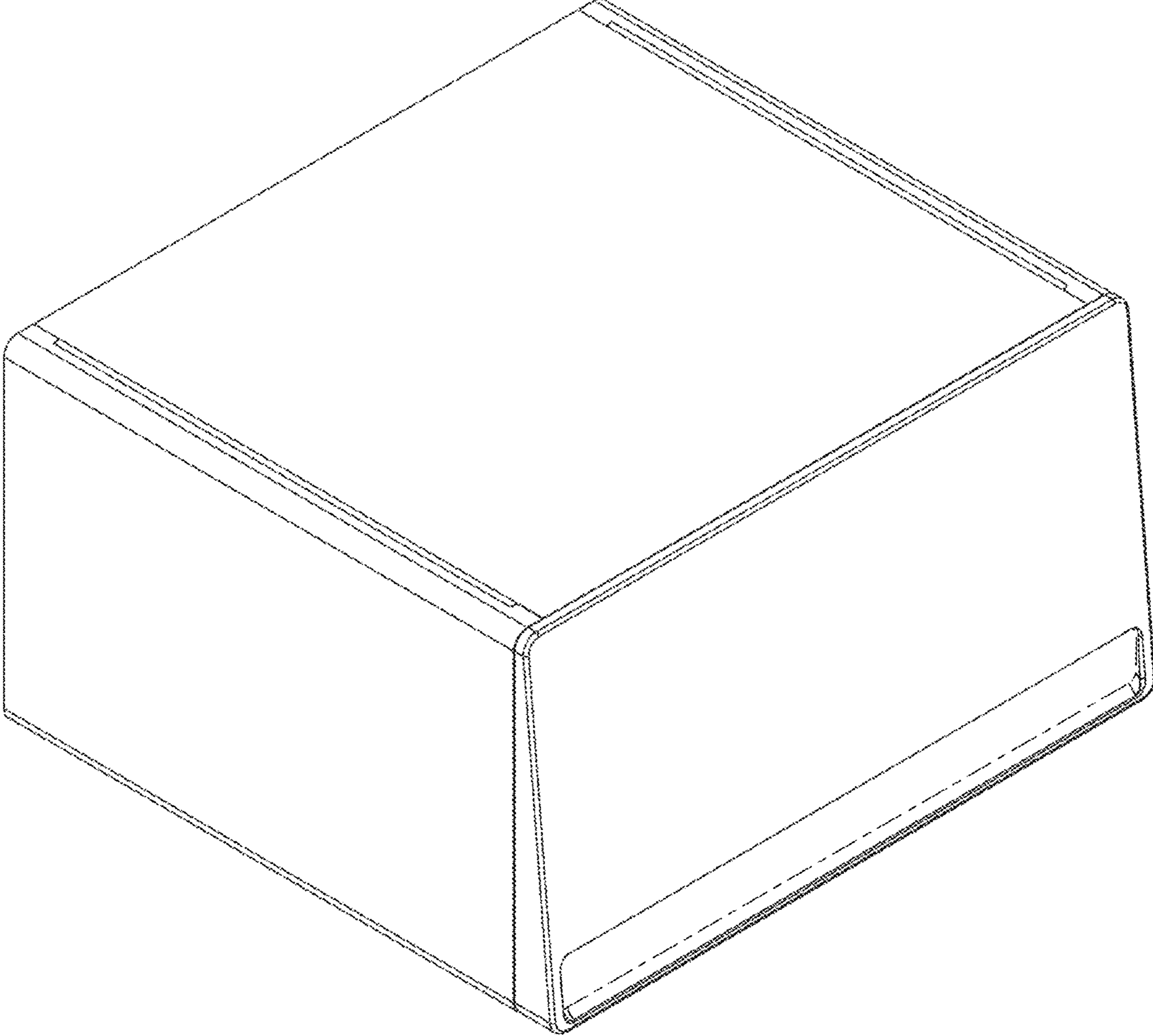
**DESCRIPTION**

- 1. Apparatus for providing broadband light
- 1.1 is a top front left perspective view of an apparatus for providing broadband light.
- 1.2 is a top rear left perspective view thereof.
- 1.3 is a front side elevational view thereof.
- 1.4 is a rear side elevational view thereof.
- 1.5 is a left side elevational view thereof.
- 1.6 is a right side elevational view thereof.
- 1.7 is a top plan view thereof.

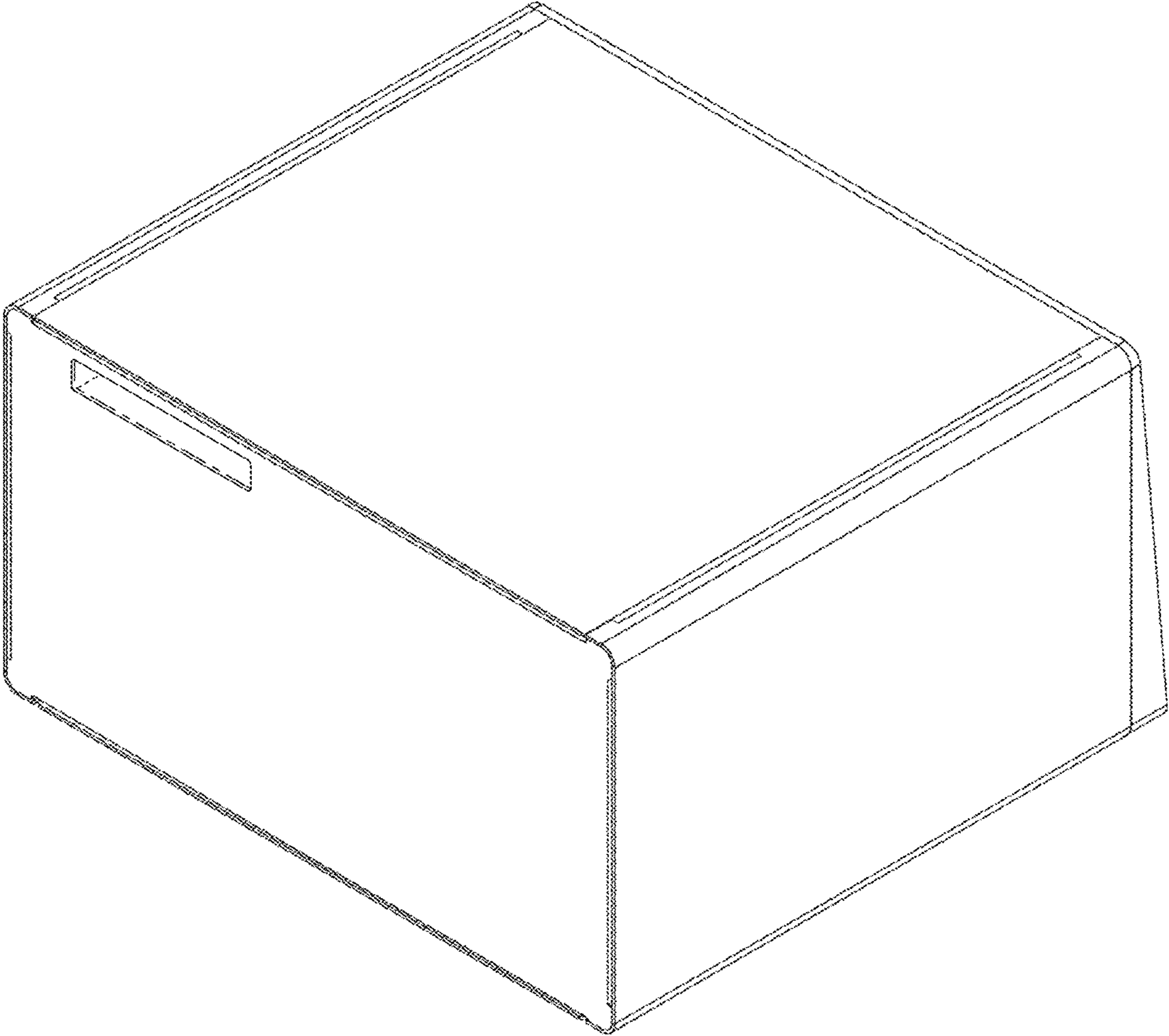
The broken line illustration in representation 1.2 shows an environmental structure and is not part of the claimed design, and the dot-dashed line illustrations in representations 1.1-1.4 define bounds of the claimed design and form no part thereof.

**1 Claim, 7 Drawing Sheets**





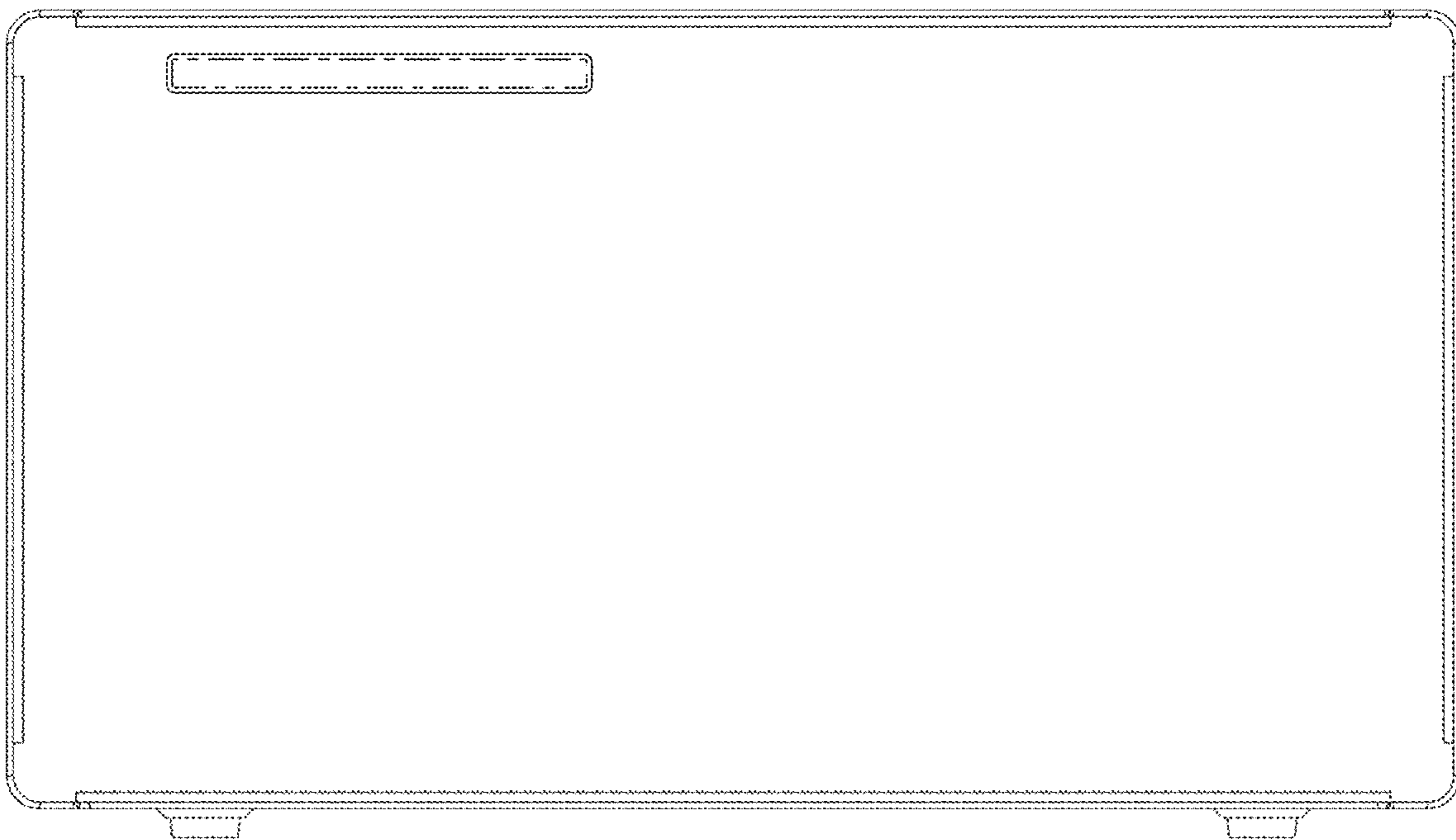
1.1



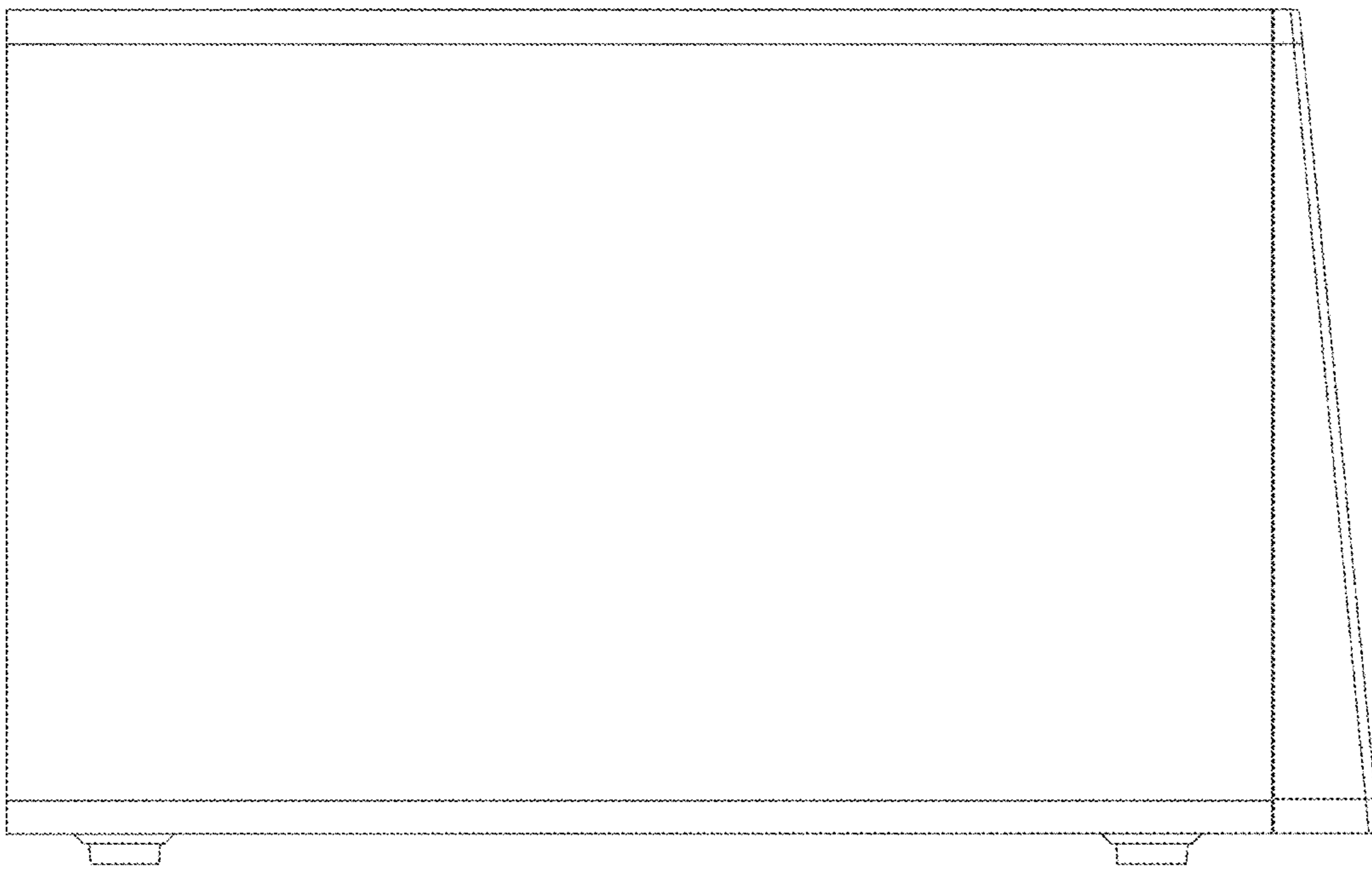
1.2



1.3

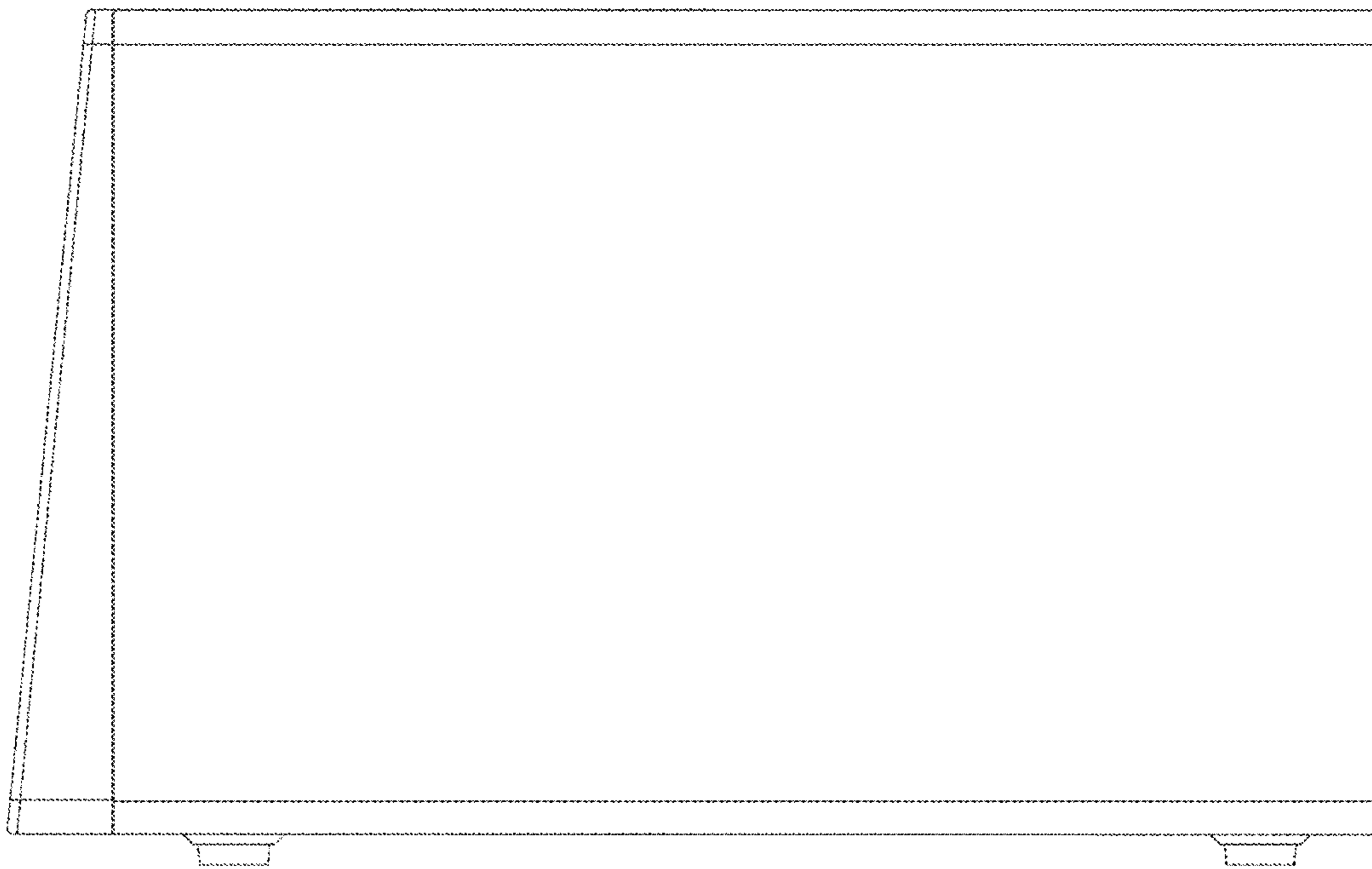


1.4

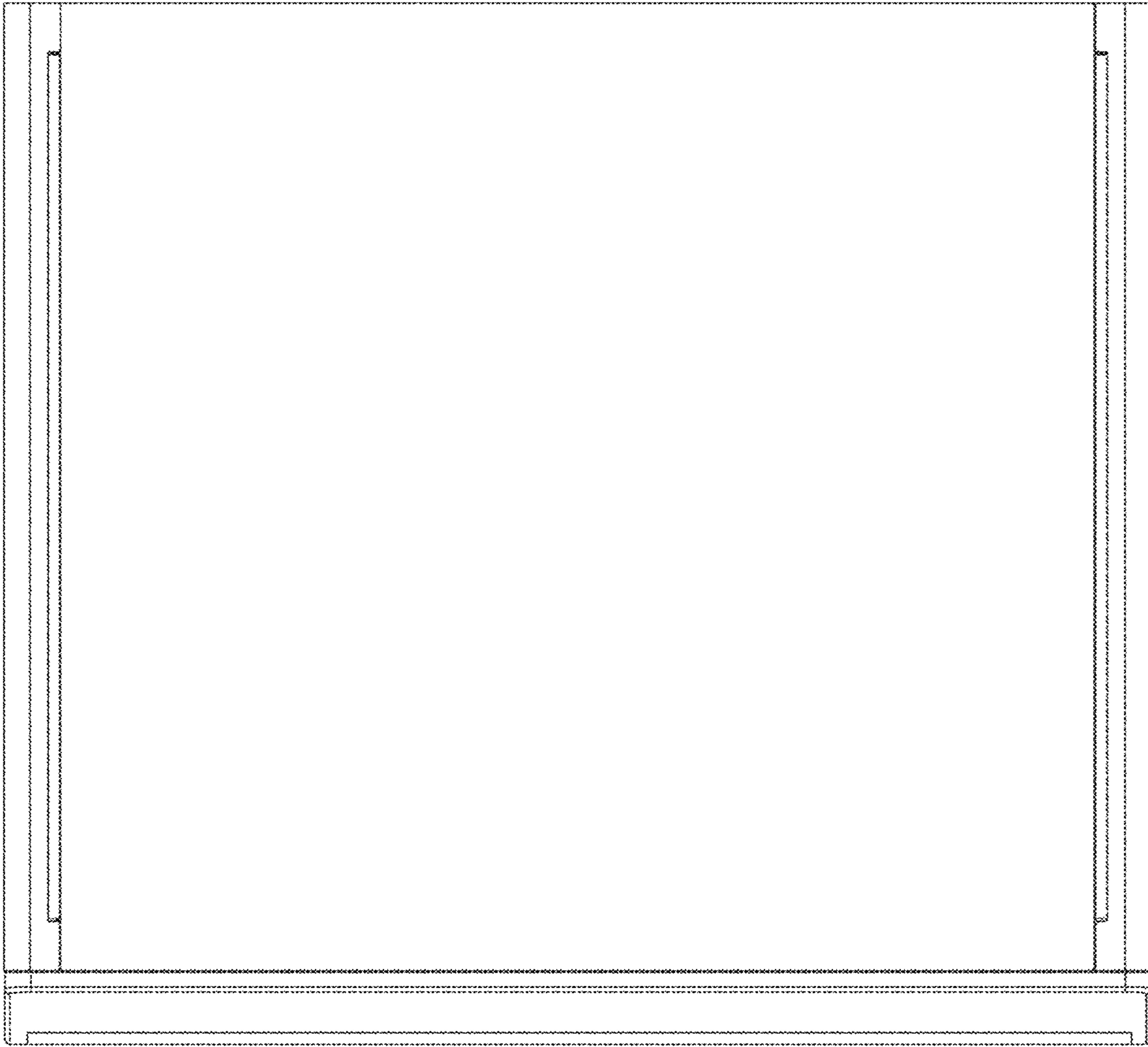


1.5





1.6



1.7