



US00D959528S

(12) **United States Design Patent** (10) **Patent No.:** **US D959,528 S**  
**Chen et al.** (45) **Date of Patent:** **\*\* Aug. 2, 2022**

(54) **STERILIZATION ROBOT**  
(71) Applicant: **SHENZHEN PUDU TECHNOLOGY CO., LTD.**, Guangdong (CN)  
(72) Inventors: **Peng Chen**, Guangdong (CN); **Tao Zhang**, Guangdong (CN)  
(73) Assignee: **SHENZHEN PUDU TECHNOLOGY CO., LTD.**, Shenzhen (CN)

D857,073 S \* 8/2019 Gayne ..... D15/199  
D859,485 S \* 9/2019 Sutherland ..... D15/199  
D872,788 S \* 1/2020 Sutherland ..... D15/199  
D877,786 S \* 3/2020 Gayne ..... D15/199  
D884,043 S \* 5/2020 Song ..... D15/199  
D908,151 S \* 1/2021 Song ..... D15/199  
D913,349 S \* 3/2021 Yao ..... D15/199  
D915,486 S \* 4/2021 Gidwell ..... D15/199  
D917,591 S \* 4/2021 Xiao ..... D15/199  
D919,687 S \* 5/2021 Song ..... D15/199  
D920,411 S \* 5/2021 Zheng ..... B25J 9/1676  
D921,080 S \* 6/2021 Chen ..... D15/199  
D937,920 S \* 12/2021 Gidwell ..... D15/199

(\*\*) Term: **15 Years**

\* cited by examiner

(21) Appl. No.: **29/776,133**

*Primary Examiner* — Patricia A Palasik

(22) Filed: **Mar. 29, 2021**

(30) **Foreign Application Priority Data**

Sep. 27, 2020 (CN) ..... 202030580097.4

(51) **LOC (13) Cl.** ..... **15-99**

(52) **U.S. Cl.**  
USPC ..... **D15/199**

(58) **Field of Classification Search**  
USPC ..... D15/199; D21/578-583, 621, 622;  
D32/21; D34/34  
CPC ..... B25J 5/007; B25J 11/008; B60B 19/006;  
B62D 57/024; Y10S 901/01  
See application file for complete search history.

(56) **References Cited**

U.S. PATENT DOCUMENTS

D675,656 S \* 2/2013 Sutherland ..... D15/199  
D735,258 S \* 7/2015 Jang ..... D15/199  
9,174,342 B2 \* 11/2015 Pinter ..... B25J 9/1676  
9,776,327 B2 \* 10/2017 Pinter ..... B25J 9/1676  
D811,458 S \* 2/2018 Wang ..... D15/199  
D817,375 S \* 5/2018 Deyle ..... D15/199  
D841,067 S \* 2/2019 Camporesi ..... D15/199  
D849,813 S \* 5/2019 Sutherland ..... D15/199  
D855,673 S \* 8/2019 Sutherland ..... D15/199

(57) **CLAIM**

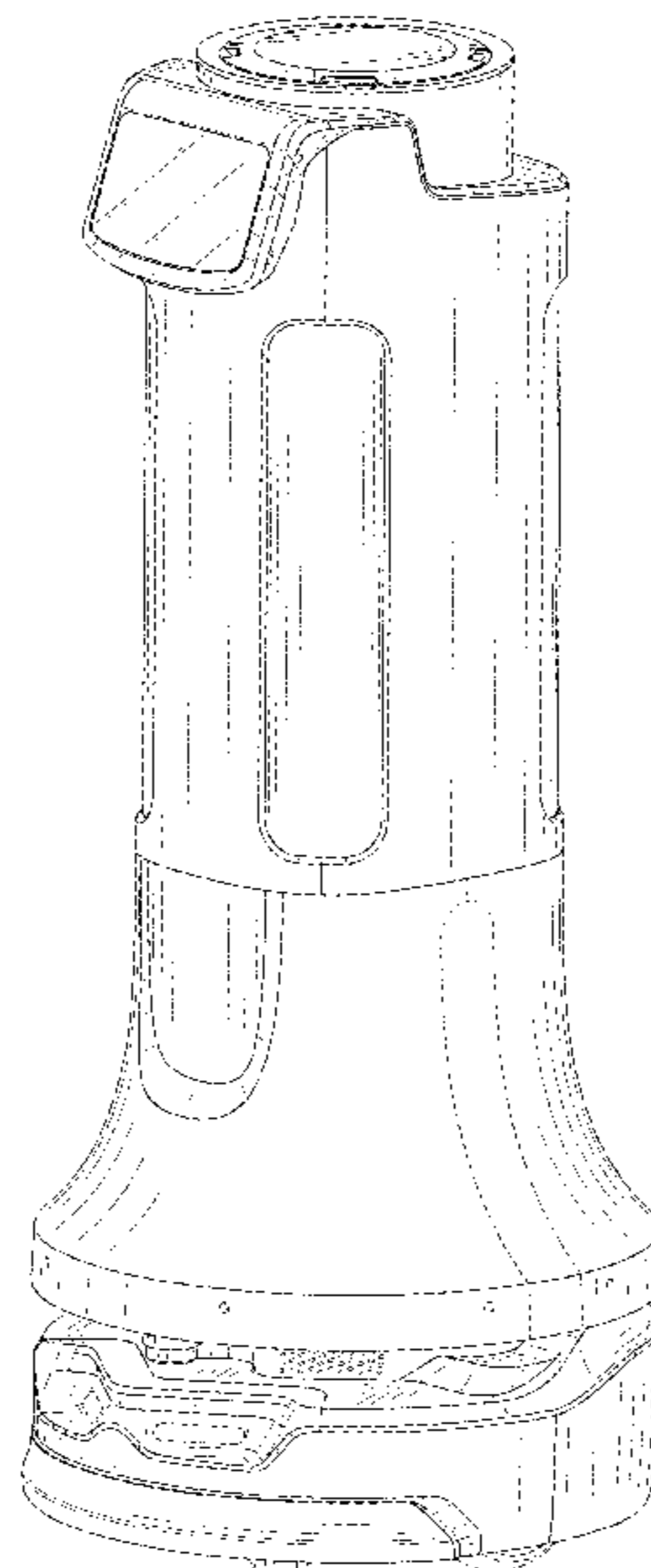
The ornamental design for a sterilization robot, as shown and described.

**DESCRIPTION**

FIG. 1 is a top, front and right side perspective view of a sterilization robot showing our new design;  
FIG. 2 is a bottom, rear and left side perspective view thereof;  
FIG. 3 is a front elevational view thereof;  
FIG. 4 is a rear elevational view thereof;  
FIG. 5 is a left side view thereof;  
FIG. 6 is a right side view thereof;  
FIG. 7 is a top plan view thereof;  
FIG. 8 is a bottom plan view thereof; and,  
FIG. 9 is a top, front and right side perspective view in a state of use, with lids open to expose the sterilization light tubes.

The broken lines in the drawings illustrate portions of the sterilization robot which form no part of the claimed design. The oblique shade lines in the drawings represent reflective surfaces.

**1 Claim, 9 Drawing Sheets**



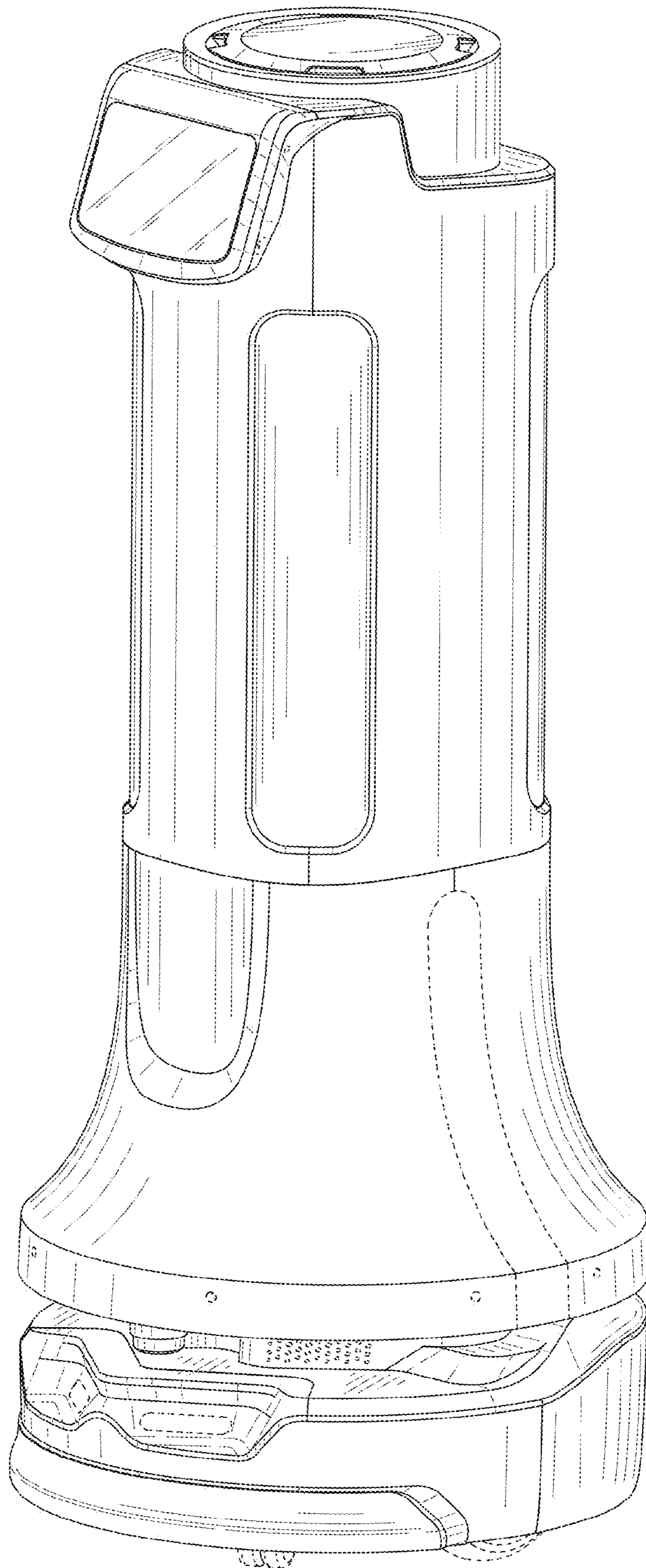


FIG. 1

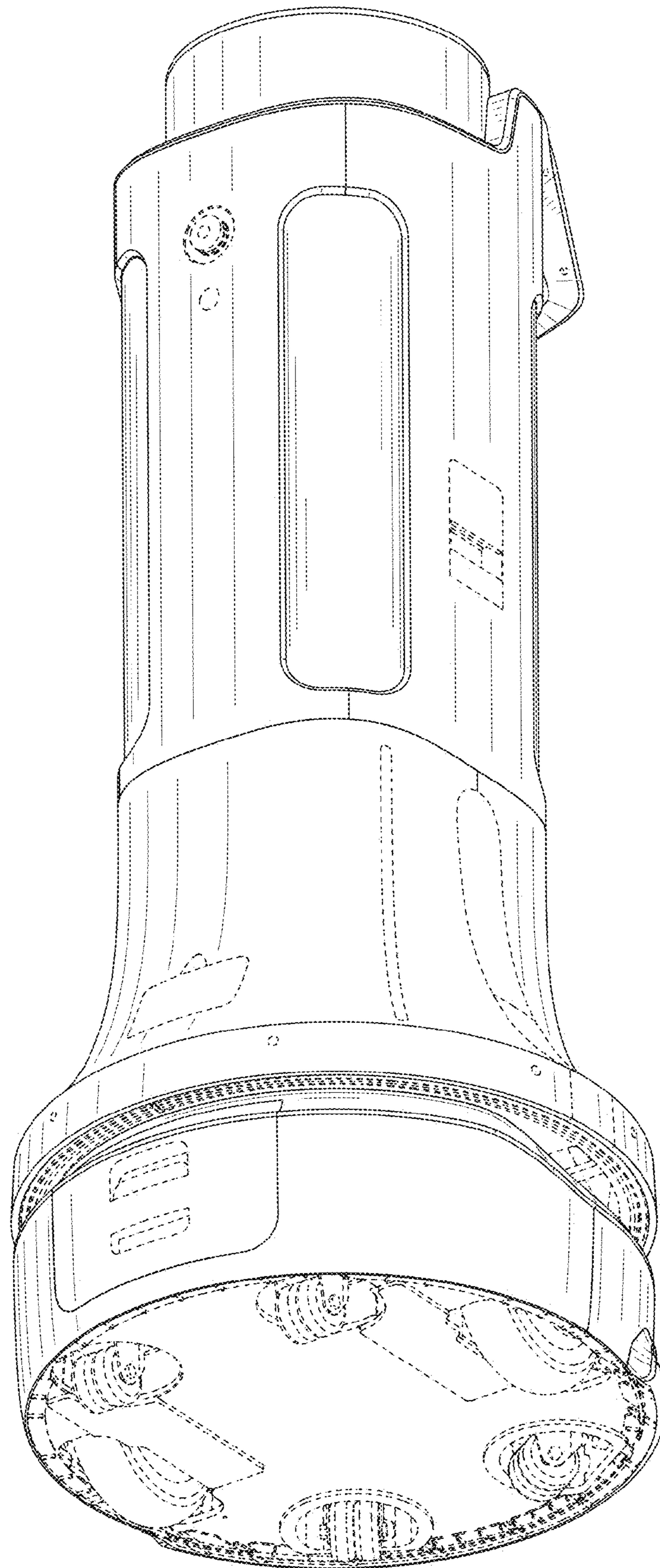


FIG. 2

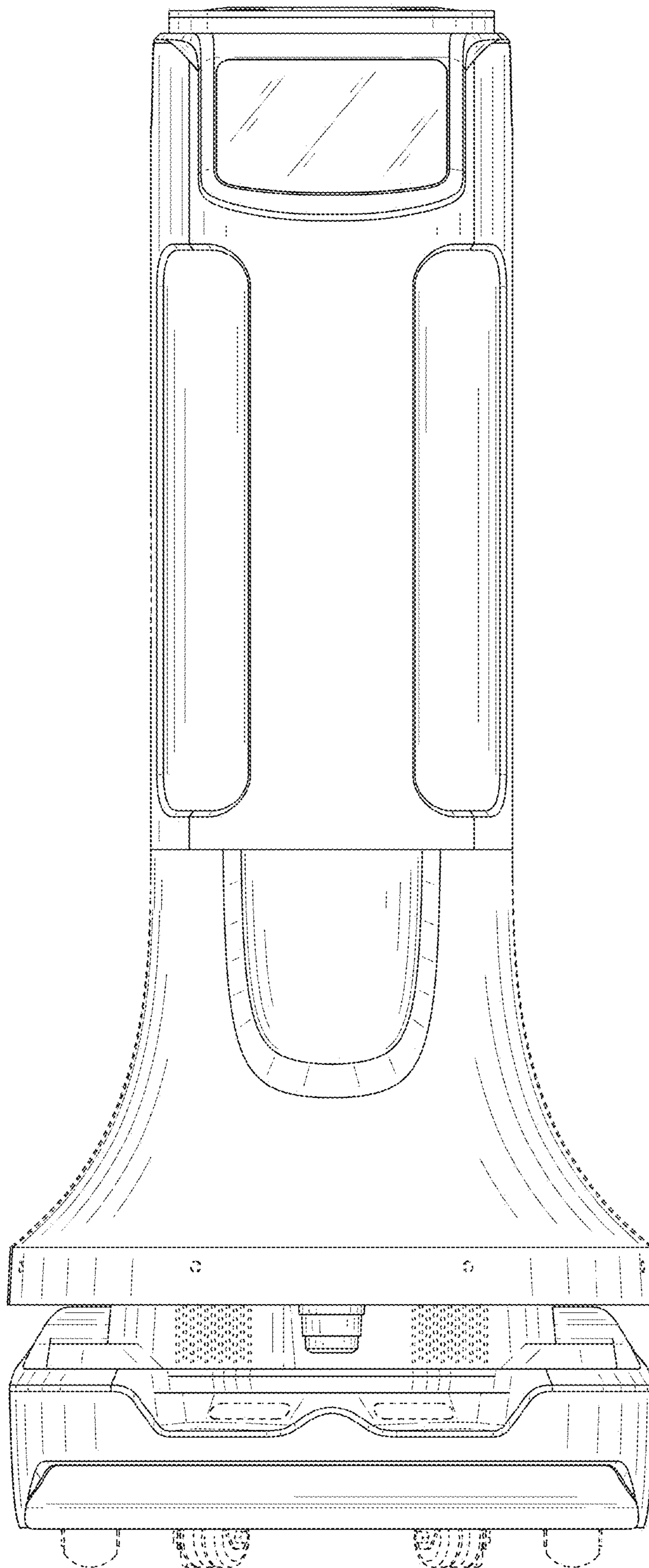


FIG. 3

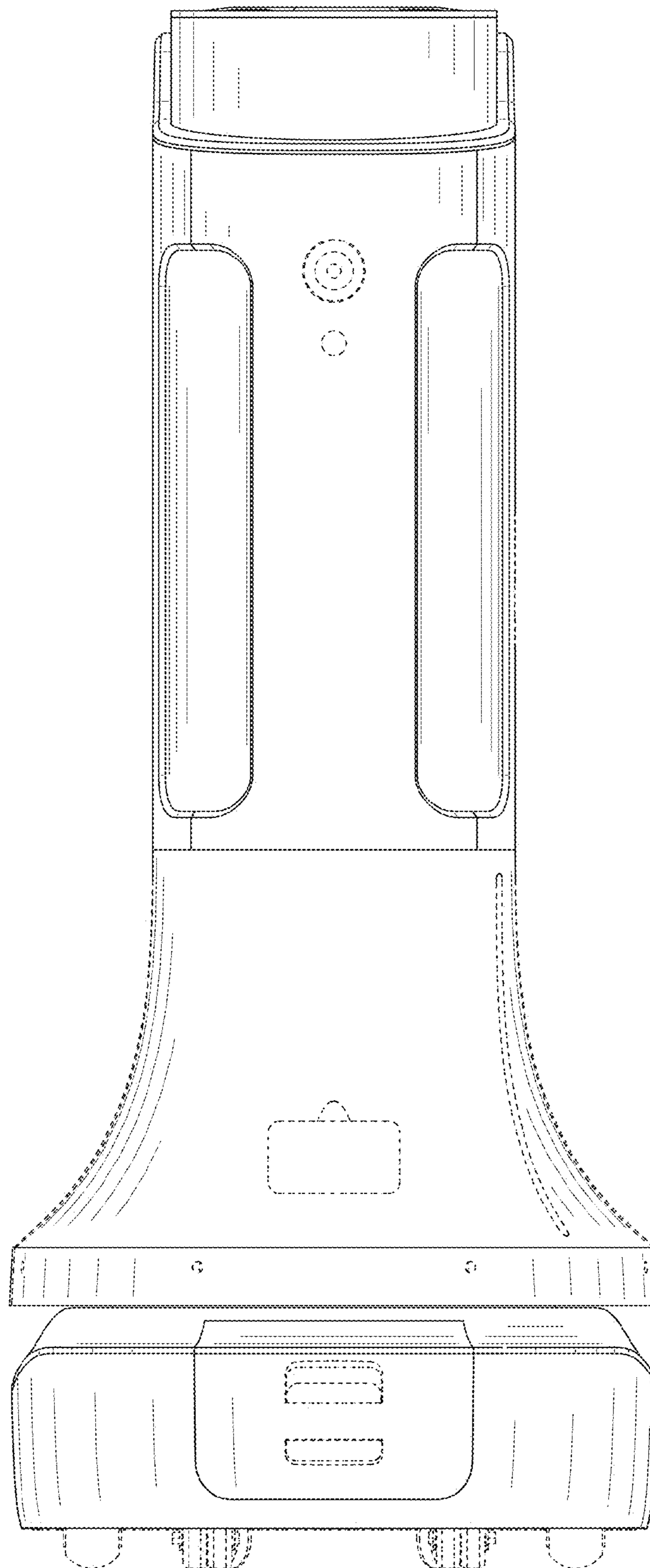


FIG. 4

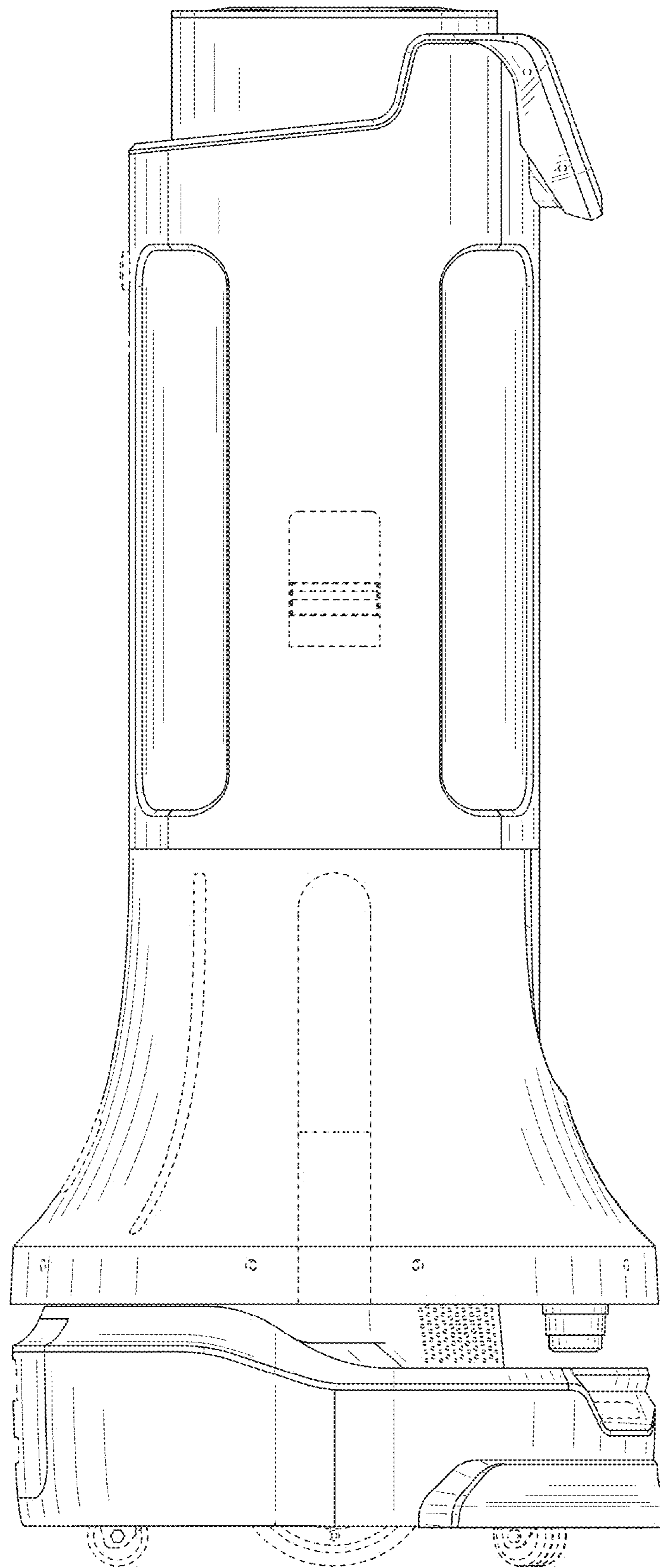


FIG. 5

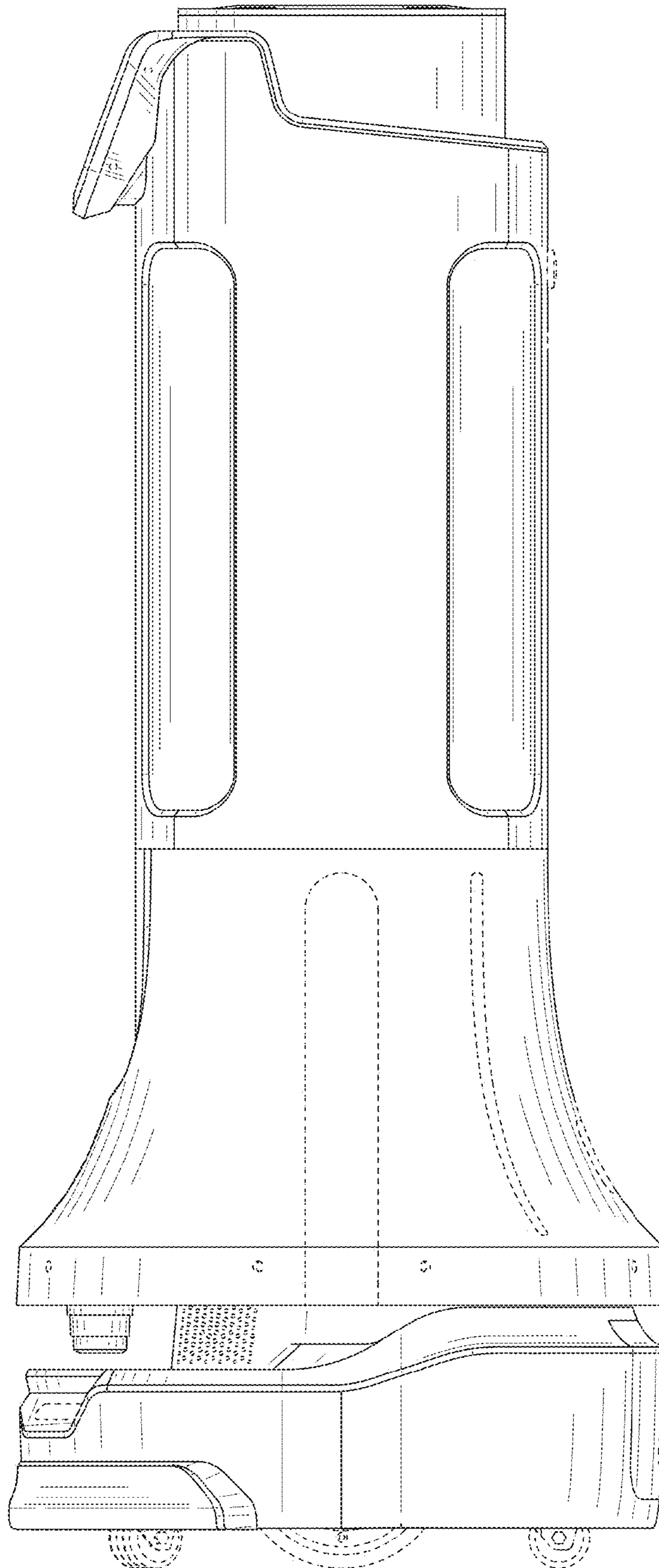


FIG. 6

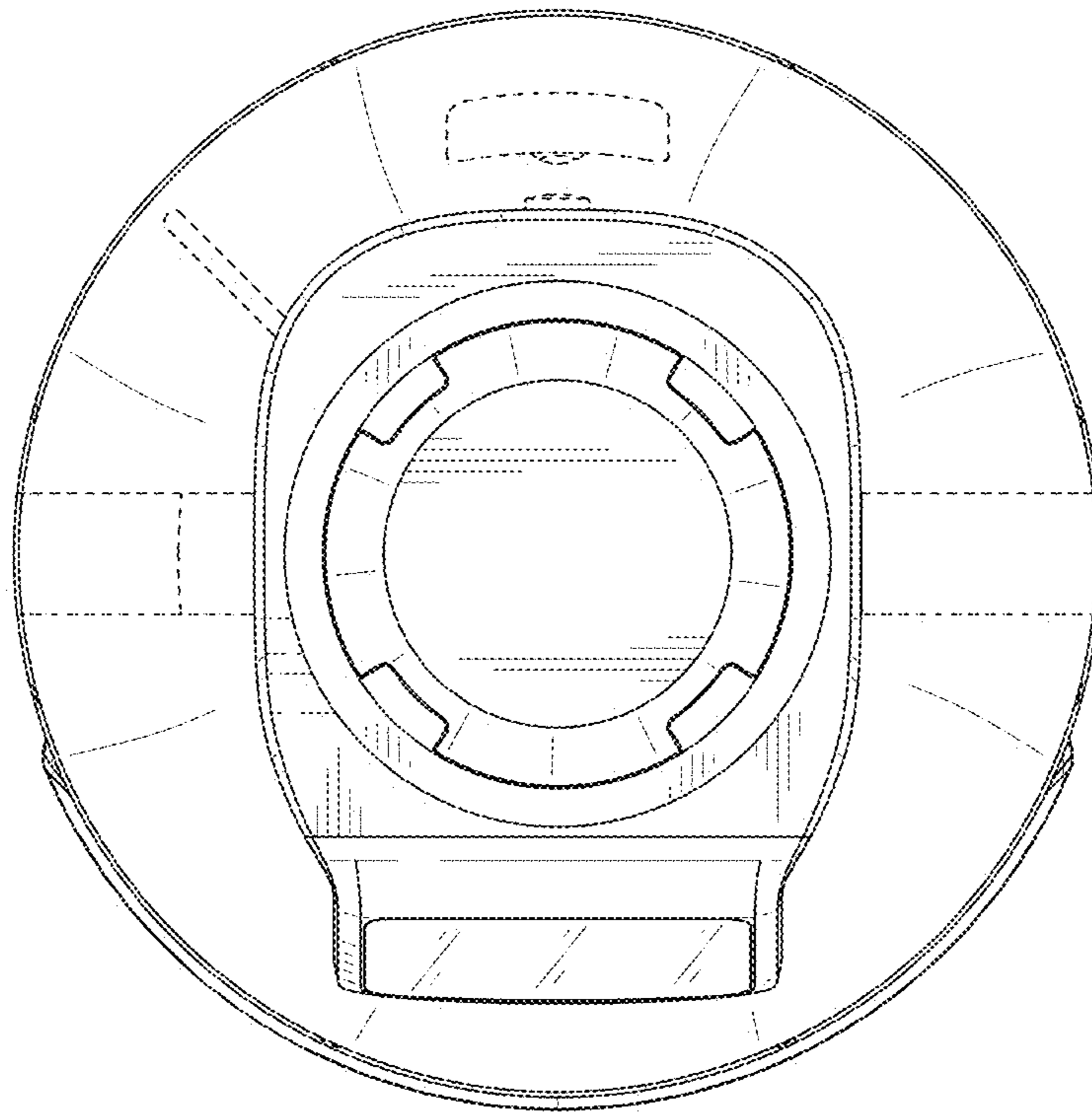


FIG. 7



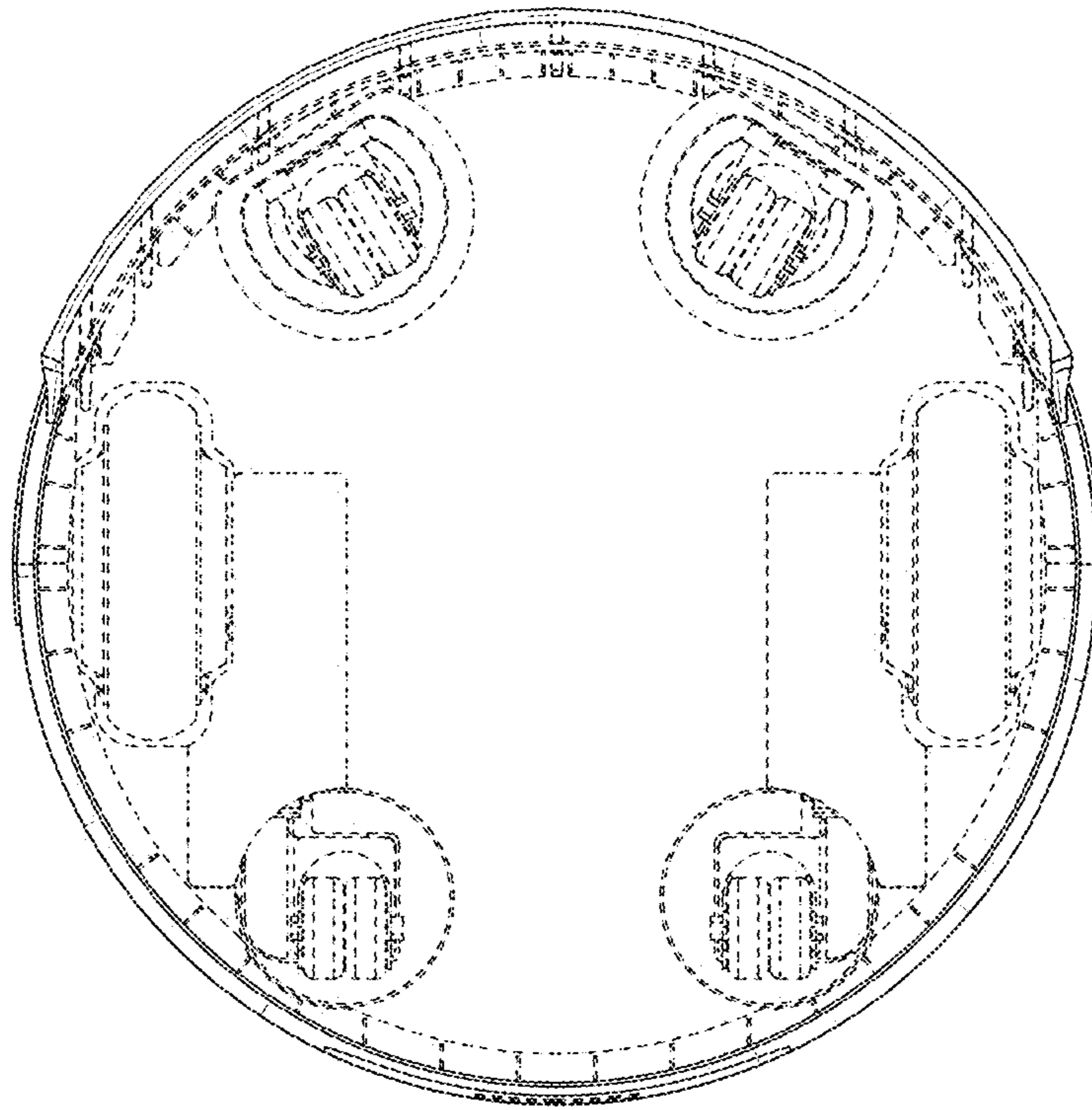


FIG. 8

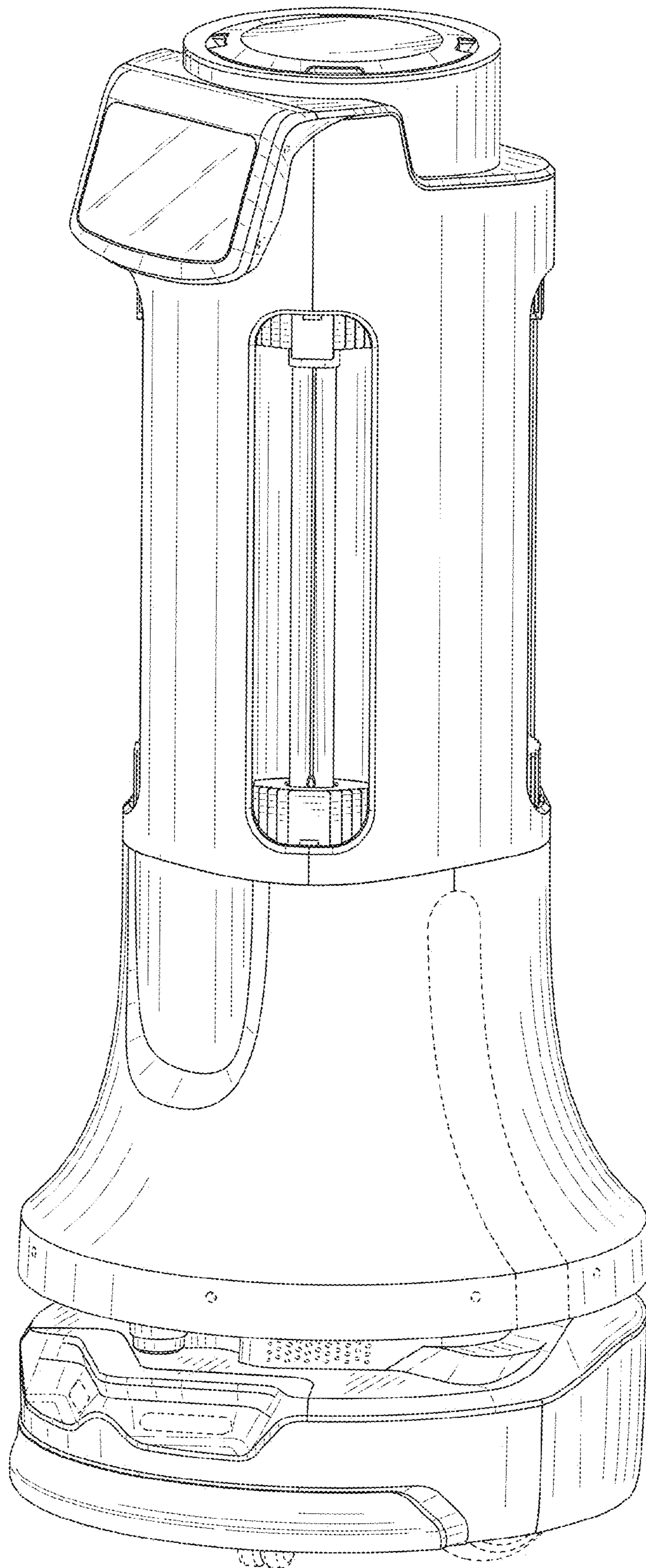


FIG. 9