



US00D959524S

(12) **United States Design Patent**
Middlebrook

(10) **Patent No.:** **US D959,524 S**

(45) **Date of Patent:** **** Aug. 2, 2022**

(54) **LID FOR WELDING ELECTRODE STORAGE**

(71) Applicant: **Thomas Chad Middlebrook**, Hominy,
OK (US)

(72) Inventor: **Thomas Chad Middlebrook**, Hominy,
OK (US)

(**) Term: **15 Years**

(21) Appl. No.: **29/752,559**

(22) Filed: **Sep. 28, 2020**

(51) **LOC (13) Cl.** **15-09**

(52) **U.S. Cl.**
USPC **D15/144; D3/201**

(58) **Field of Classification Search**
USPC D3/269, 300, 302, 905; D8/29.1, 29.2,
D8/30; D9/432, 435; D15/144, 144.1,
D15/144.2
CPC B23K 9/29; B23K 9/282; B23K 9/327;
B23K 9/1006
See application file for complete search history.

(56) **References Cited**

U.S. PATENT DOCUMENTS

- 1,210,591 A * 1/1917 Braden B23K 9/282
219/139
- 1,240,901 A * 9/1917 Symons B23K 9/282
219/143
- D96,089 S * 7/1935 Botham D9/556
- 2,220,783 A * 11/1940 Fitch H05B 31/18
219/143
- 2,360,016 A * 10/1944 Roland B23K 9/282
294/99.2
- D139,617 S * 12/1944 Rich 401/98
- 2,815,057 A * 12/1957 Tupper A45D 44/18
403/41
- 3,133,663 A * 5/1964 Confer B65D 43/0222
220/780

- 3,244,272 A * 4/1966 Beaman G07D 9/004
206/0.82
- 3,521,810 A * 7/1970 Boyer B65D 5/38
229/148
- 3,648,891 A * 3/1972 Katz B65D 11/12
221/268
- 4,445,611 A * 5/1984 Shofu B65D 85/24
206/820
- D274,767 S * 7/1984 Fuller D19/89
- D276,285 S * 11/1984 Tober D3/905
- D282,884 S * 3/1986 Byrns D3/905
- 4,588,870 A * 5/1986 Nadkarni B23K 11/3018
219/118
- 5,073,692 A * 12/1991 Jackson B23K 11/3072
219/86.7
- D353,044 S * 12/1994 Riley D9/559
- 5,370,219 A * 12/1994 Violett, Jr. F21L 4/005
206/37.8
- 5,680,949 A * 10/1997 Roesler B65D 85/20
220/8

(Continued)

Primary Examiner — Patricia A Palasik

(74) *Attorney, Agent, or Firm* — GableGotwals

(57) **CLAIM**

The ornamental design for a lid for welding electrode storage, as shown and described.

DESCRIPTION

FIG. 1 is a front elevation view of a design of a lid for welding electrode storage. The right side elevation view, the left side elevation view, and the rear elevation view are identical thereto.

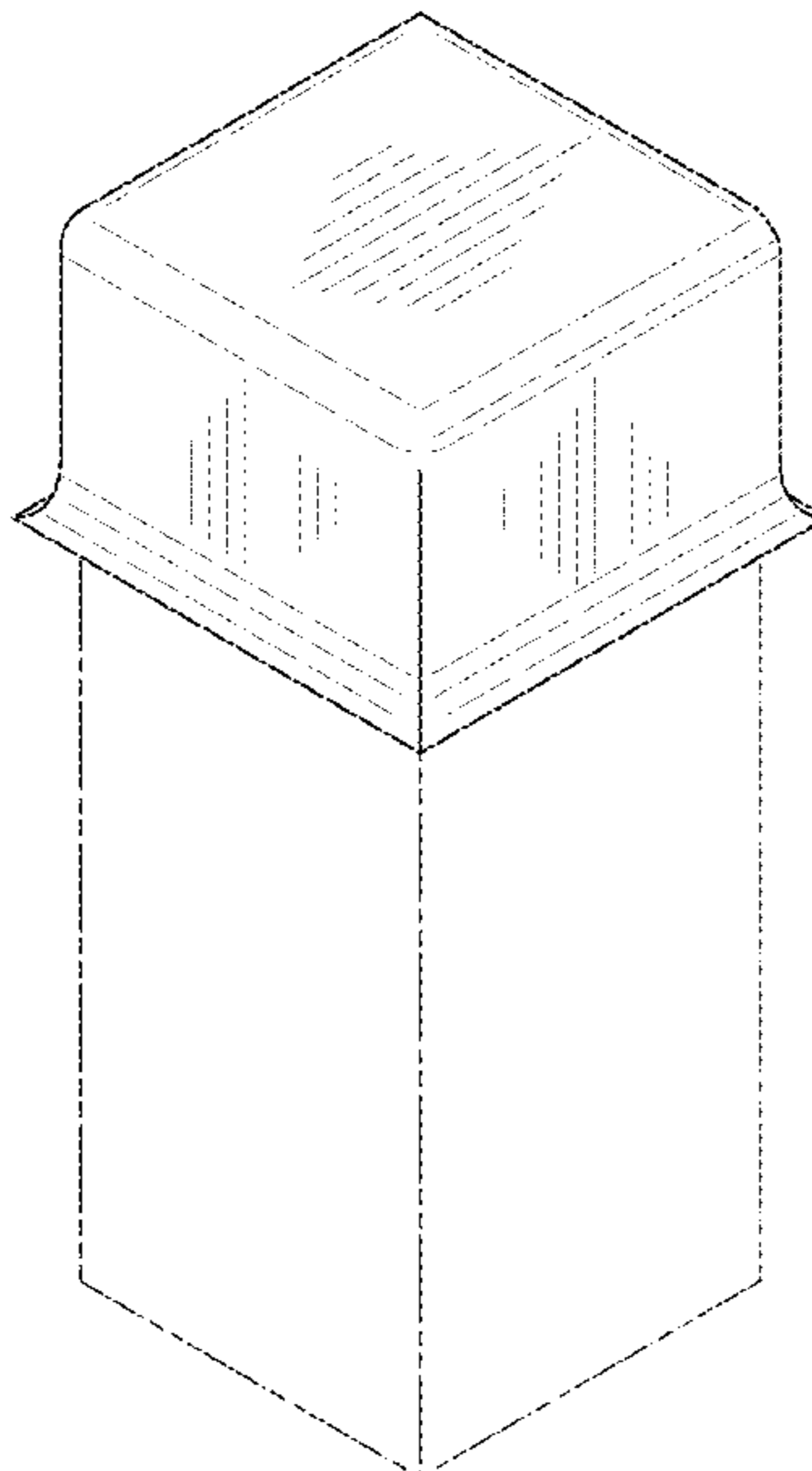
FIG. 2 is a bottom plan view of the lid;

FIG. 3 is a top plan view of the lid; and,

FIG. 4 is an isometric view, at a smaller scale, showing the front, top, and right side.

The broken lines in the drawings illustrate environmental structure or boundaries that form no part of the design to be patented.

1 Claim, 2 Drawing Sheets



(56)

References Cited

U.S. PATENT DOCUMENTS

D404,976	S *	2/1999	Young	D7/629
D496,135	S *	9/2004	Hillock	D28/85
D517,315	S *	3/2006	Amin	D3/273
D545,904	S *	7/2007	Chen	D19/66
D574,605	S *	8/2008	Schroeder	D3/201
D611,823	S *	3/2010	Sindler	D9/558
D783,283	S *	4/2017	McComb	D3/302
10,456,058	B2 *	10/2019	Lukoschek	A61B 5/291
10,876,282	B1 *	12/2020	Mou	E04B 1/2608
2009/0184620	A1 *	7/2009	Como	H01J 5/50 313/237
2010/0308096	A1 *	12/2010	Carlozzi	B65D 85/26 206/443

* cited by examiner

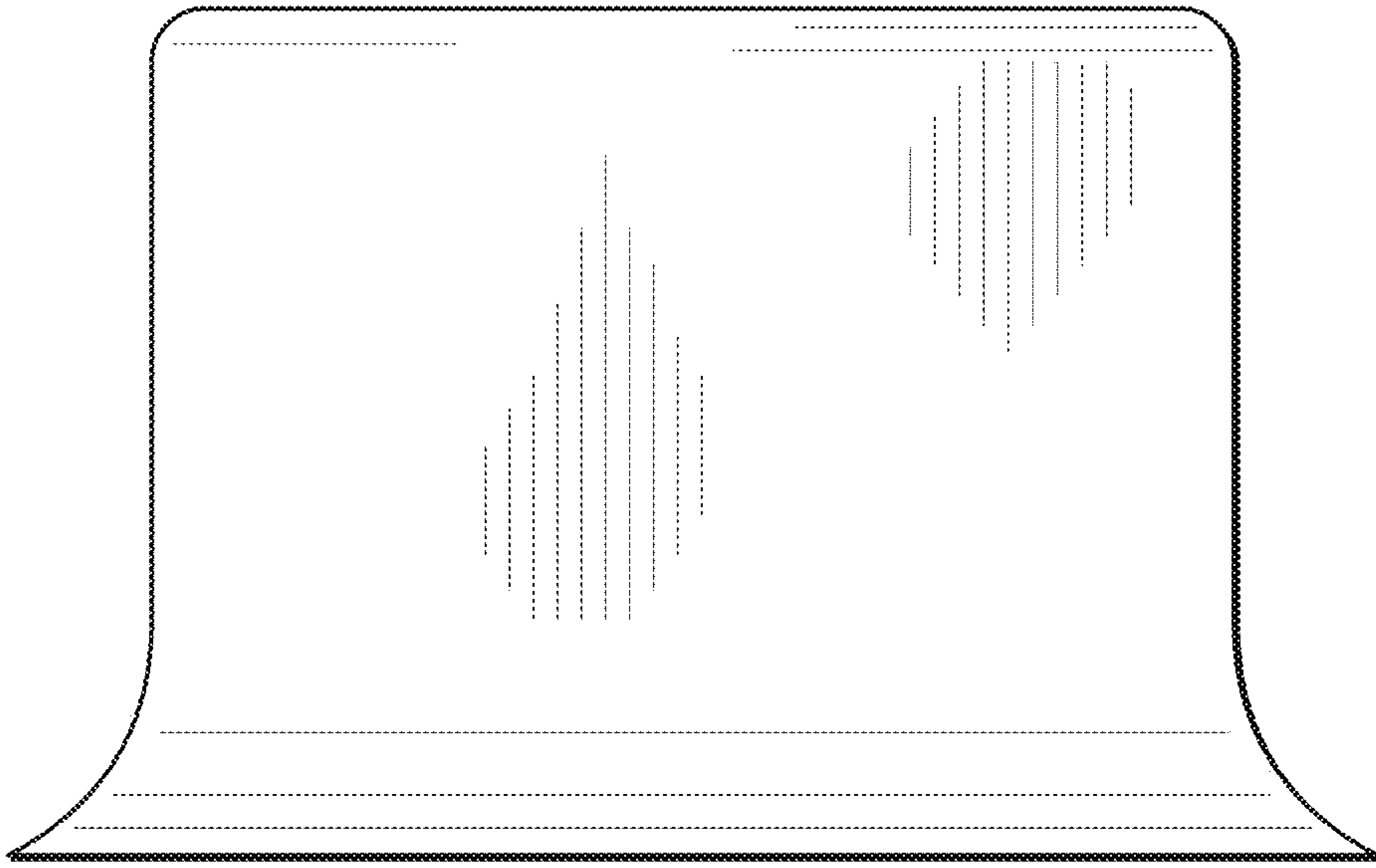


Fig. 1

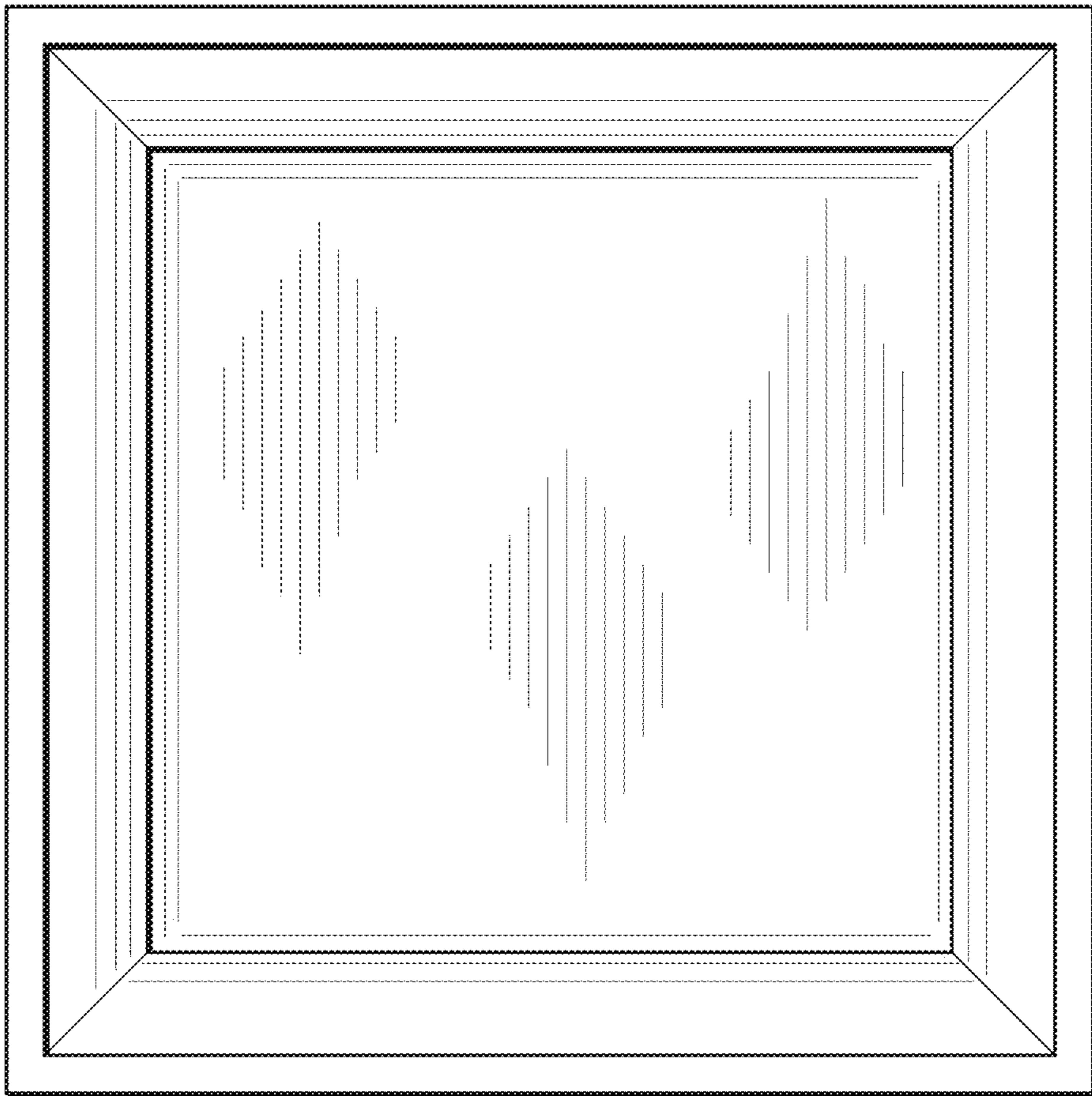


Fig. 2

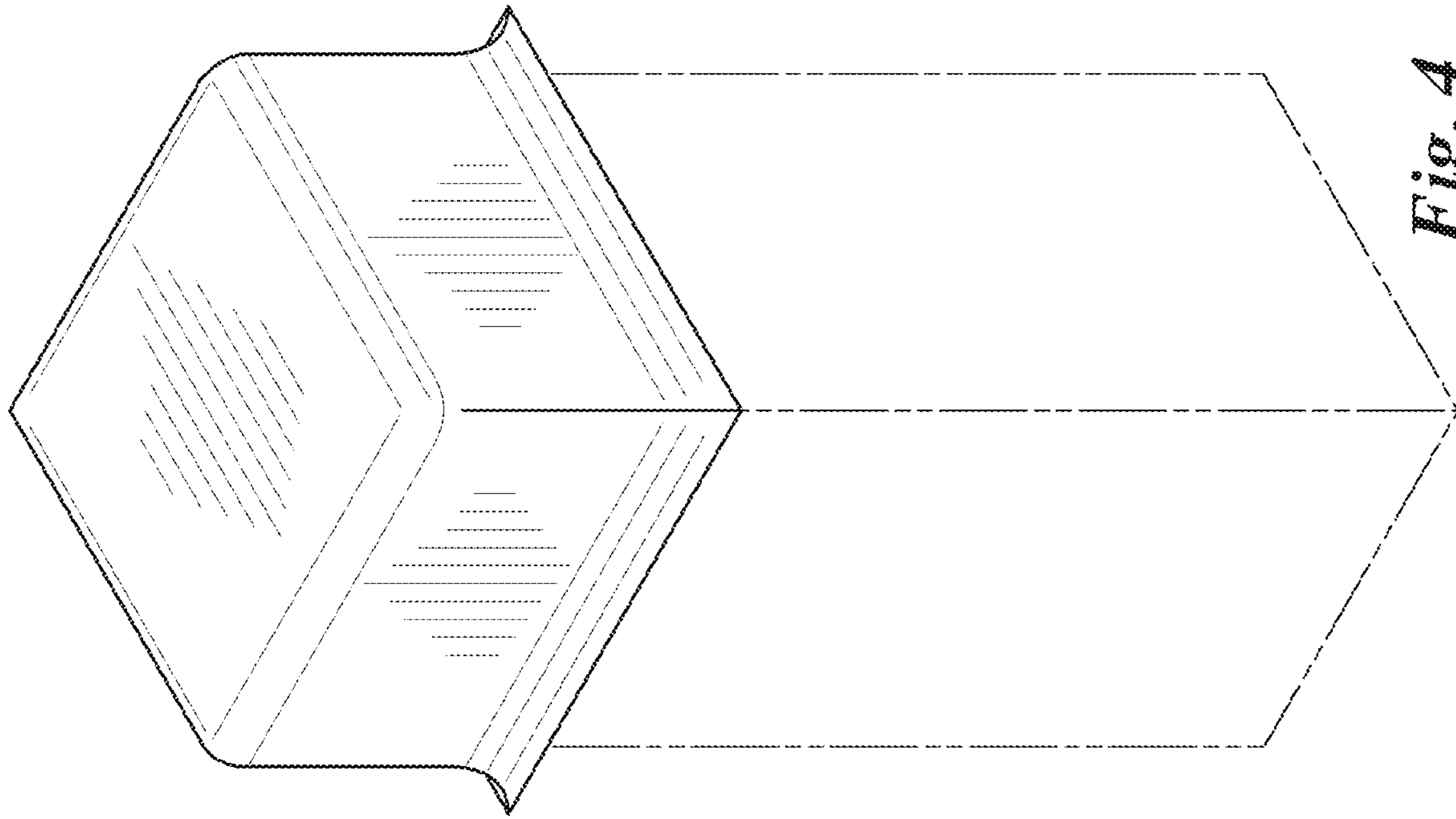


Fig. 4

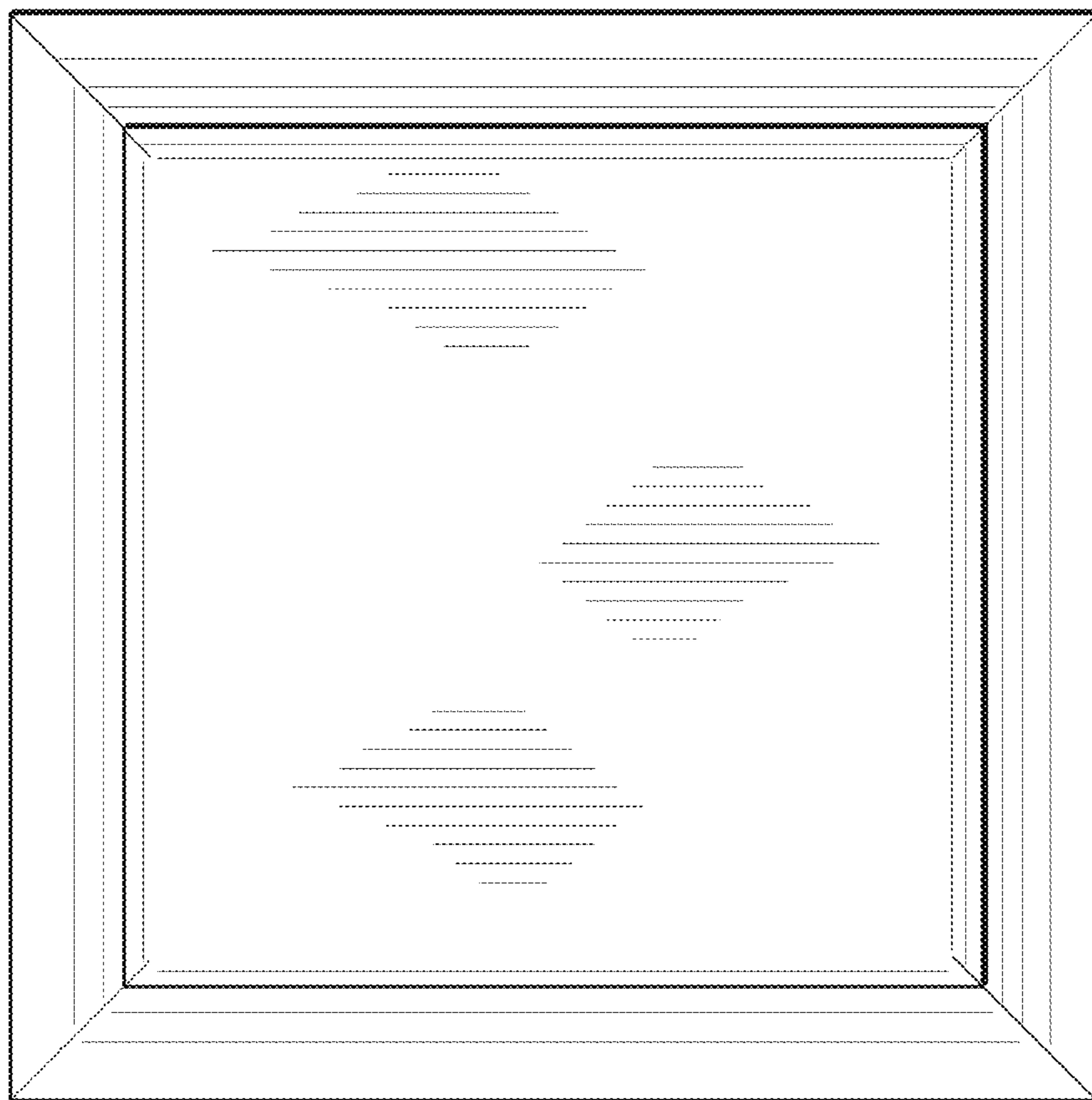


Fig. 3