



US00D959523S

(12) **United States Design Patent**
Frazey

(10) **Patent No.:** **US D959,523 S**

(45) **Date of Patent:** **** Aug. 2, 2022**

- (54) **HANDHELD TORCH**
- (71) Applicant: **Brent Barth Frazey**, Lewiston, ID (US)
- (72) Inventor: **Brent Barth Frazey**, Lewiston, ID (US)
- (73) Assignee: **Sear Pro LLC**, Lewiston, ID (US)
- (**) Term: **15 Years**
- (21) Appl. No.: **29/741,953**
- (22) Filed: **Jul. 17, 2020**
- (51) **LOC (13) Cl.** **15-09**
- (52) **U.S. Cl.**
USPC **D15/144**
- (58) **Field of Classification Search**
USPC D23/207, 213, 223, 225, 226, 356, 360;
D8/14.1, 29.1, 30; D15/144, 144.2
CPC .. B05B 5/025; B05B 5/03; B05B 5/16; B05B
5/1691; B05B 7/0018; B05B 7/0093;
B05B 7/02; B05B 7/06; B05B 7/062;
B05B 7/064; B05B 7/12; B05B 7/1272;
B05B 7/129; B05B 7/24; B05B 7/2475;
B05B 7/2478; B05B 9/01; B05B 15/60;
B05B 15/63; F23D 14/38; F23D 14/42
See application file for complete search history.

- 5,725,369 A * 3/1998 Tsai F23D 14/08
126/407
- 5,921,768 A * 7/1999 Joncg F23D 14/38
431/255
- D416,920 S * 11/1999 Chou D15/144
(Continued)

OTHER PUBLICATIONS

Self Ignition Handeld Propane Torch Nozzle, Jul. 7, 2020, Amazon, site visited Sep. 13, 2021: <https://www.amazon.com/dp/B0871HQ7PM/> (Year: 2020).*

(Continued)

Primary Examiner — Jack Reickel

Assistant Examiner — Bobby W Jones, II

(74) *Attorney, Agent, or Firm* — Hogaboam Law Offices, PLLC; Romney J. Hogaboam, Esq.

(57) **CLAIM**

The ornamental design for a handheld torch, as shown and described.

DESCRIPTION

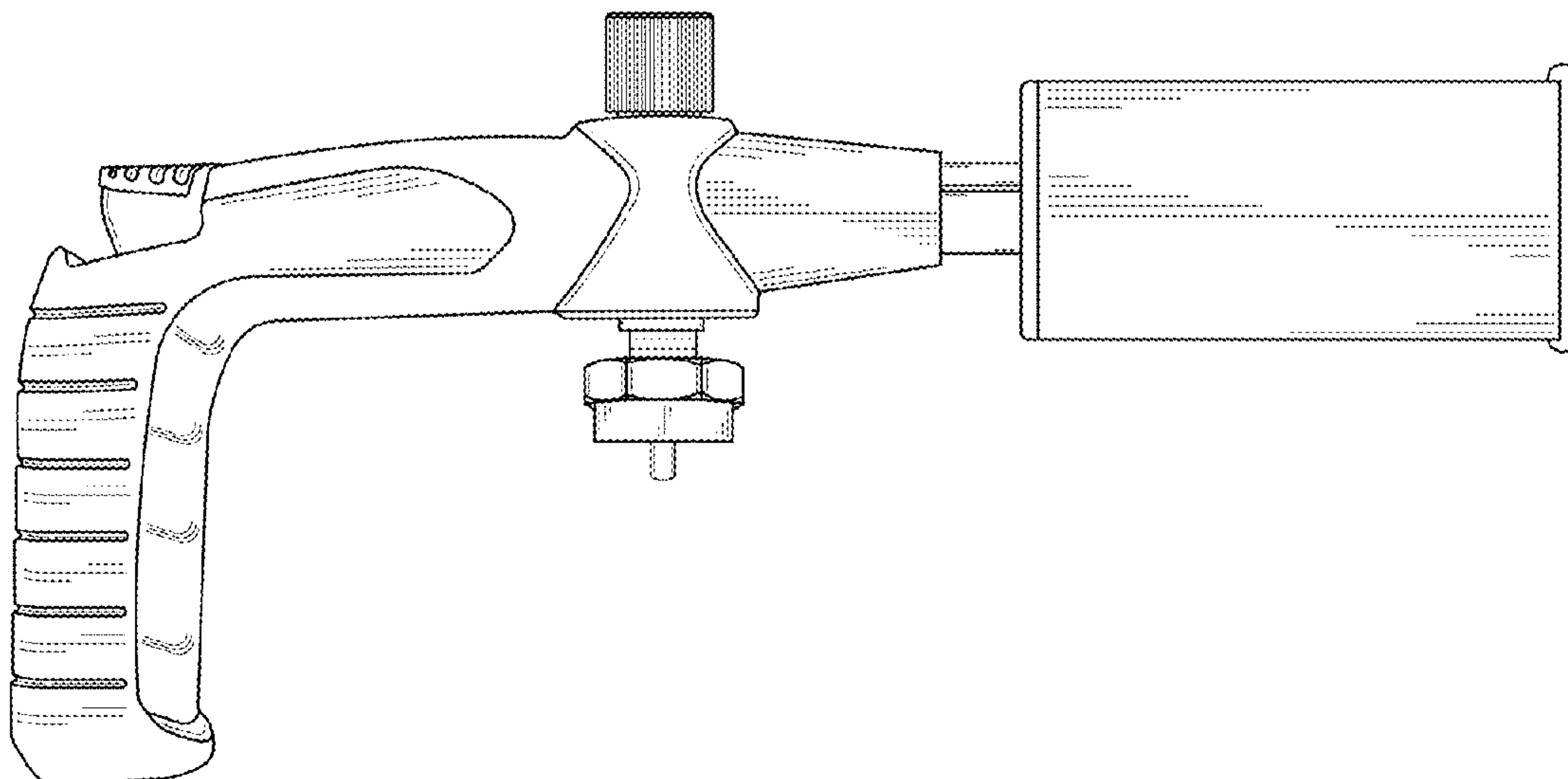
FIG. 1 is a right-side, rear perspective view of a torch showing my new design;
 FIG. 2 is a right-side perspective view thereof, mounted on a bottle;
 FIG. 3 is a left-side perspective view thereof;
 FIG. 4 is a right-side perspective view thereof;
 FIG. 5 is a top perspective view thereof; and,
 FIG. 6 is a bottom perspective view thereof.
 Broken lines in the disclosure are for illustrative purposes only and form no part of the claimed design.
 The broken line showing of a bottle in FIG. 2 is included for the purpose of illustrating environmental structure and forms no part of the claimed design. The broken line showing of a handheld torch in FIG. 6 is included for the purpose of illustrating portions of the article and forms no part of the claimed design.

(56) **References Cited**

U.S. PATENT DOCUMENTS

- D231,597 S * 5/1974 Dinse D8/30
- D237,682 S * 11/1975 Palmgren D8/30
- D279,543 S * 7/1985 Pashkov D8/30
- D289,004 S * 3/1987 Somers D8/68
- D316,215 S * 4/1991 Belanger D8/30
- D329,179 S * 9/1992 Kensrue D8/30
- 5,466,149 A * 11/1995 Tsai F23D 14/28
126/407
- 5,564,918 A * 10/1996 Lin F23D 14/28
431/255

1 Claim, 6 Drawing Sheets



(56)

References Cited

U.S. PATENT DOCUMENTS

D456,428 S * 4/2002 Aronson, II D15/144
D468,482 S * 1/2003 Lin D27/157
D472,764 S * 4/2003 Hsu D7/416
D477,507 S * 7/2003 Lin D8/30
D477,747 S * 7/2003 Hsu D7/416
D515,356 S * 2/2006 Chen D27/154
D519,800 S * 5/2006 Glover D8/29.1
8,065,774 B2 * 11/2011 Schiesz A46B 5/021
15/145
D667,994 S * 9/2012 Lin D27/139
D735,786 S * 8/2015 Sallander D15/144
D805,567 S * 12/2017 Kita D15/144.2
D809,343 S * 2/2018 Kotani D7/416
2005/0112518 A1 * 5/2005 Watanabe F23D 14/28
431/153
2008/0160471 A1 * 7/2008 Lin F23D 14/28
431/344
2020/0132298 A1 * 4/2020 Healey F23D 14/38

OTHER PUBLICATIONS

Grillblazer GrillGun, May 21, 2019, Facebook, site visited Sep. 13, 2021: <https://www.facebook.com/grillblazer/photos/a.2098249046930631/2214565121965689/> (Year: 2019).*

SearPro Torch, Nov. 11, 2020, Facebook, site visited Sep. 13, 2021: <https://www.facebook.com/SearProLLC/photos/a.123985782457284/204895567699638/> (Year: 2020).*

* cited by examiner

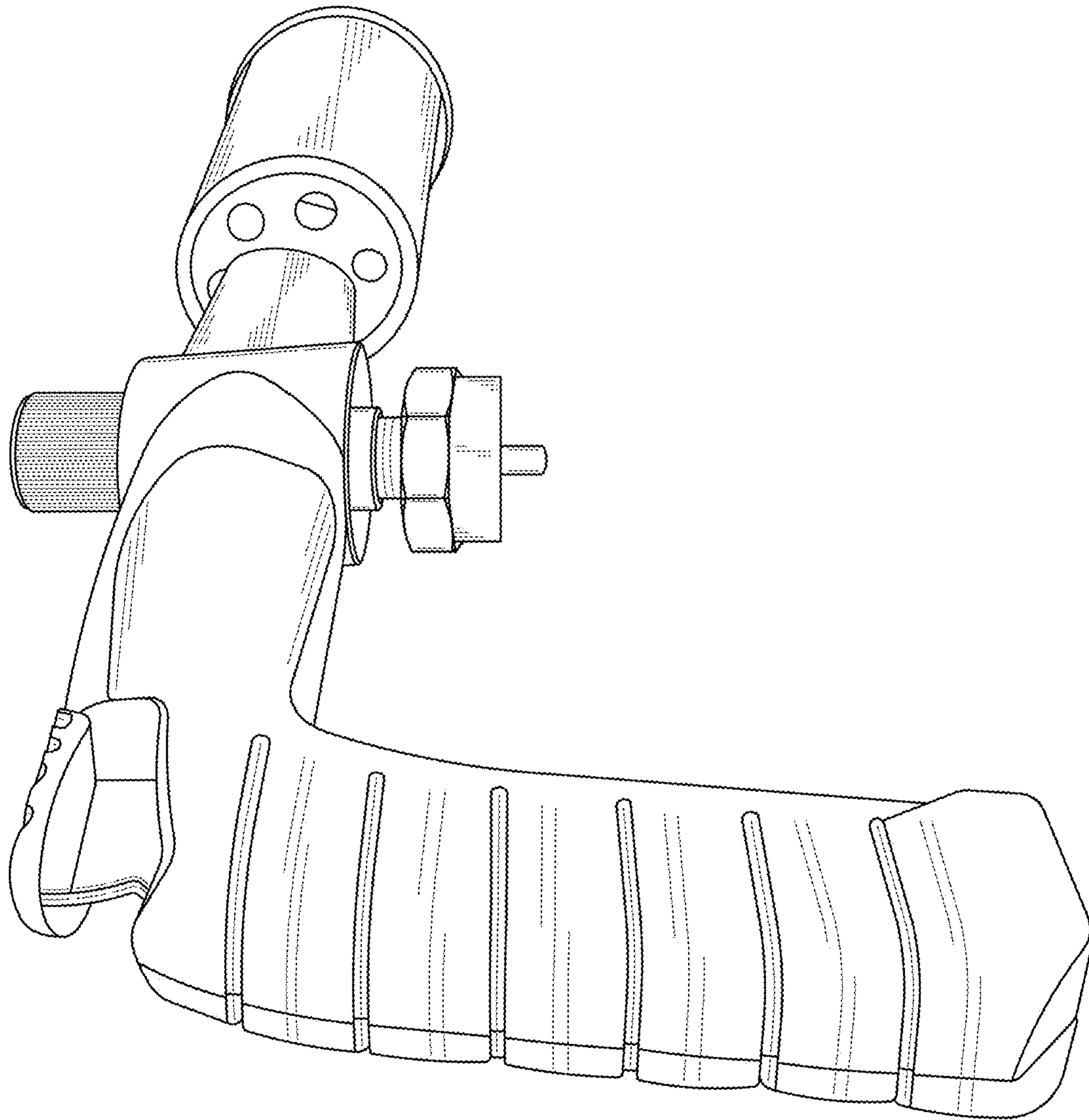


FIG. 1

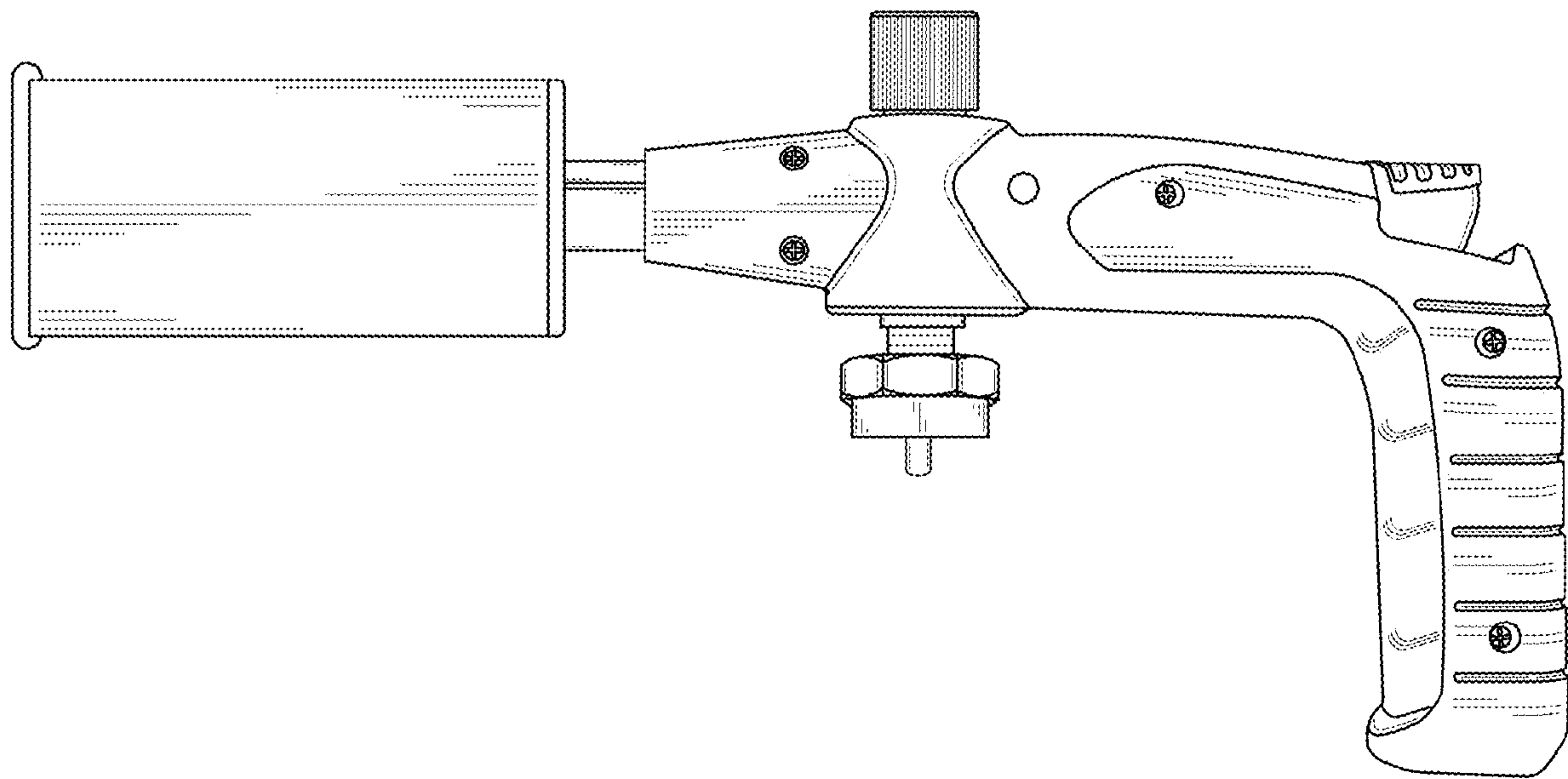


FIG. 3

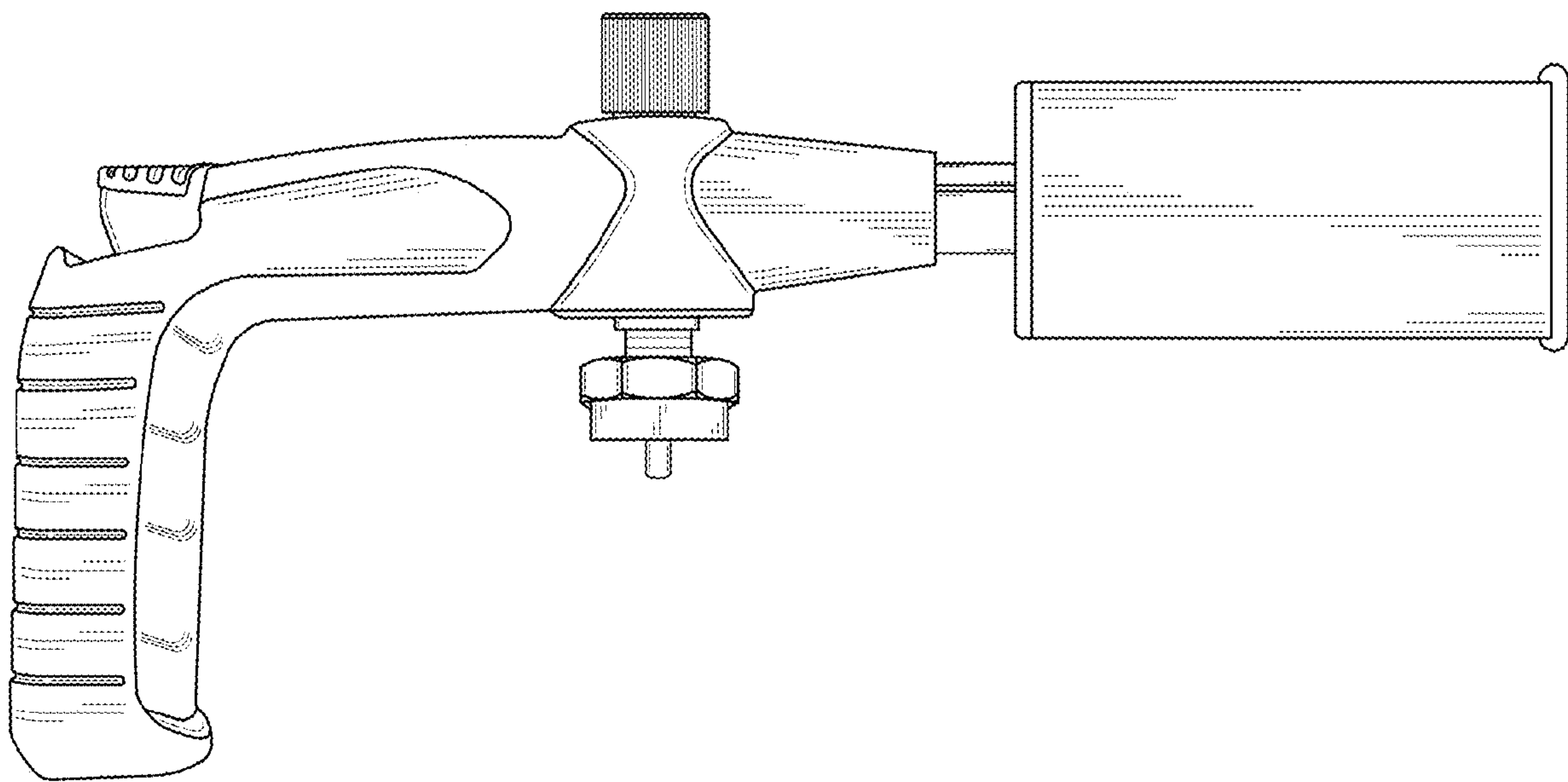


FIG. 4

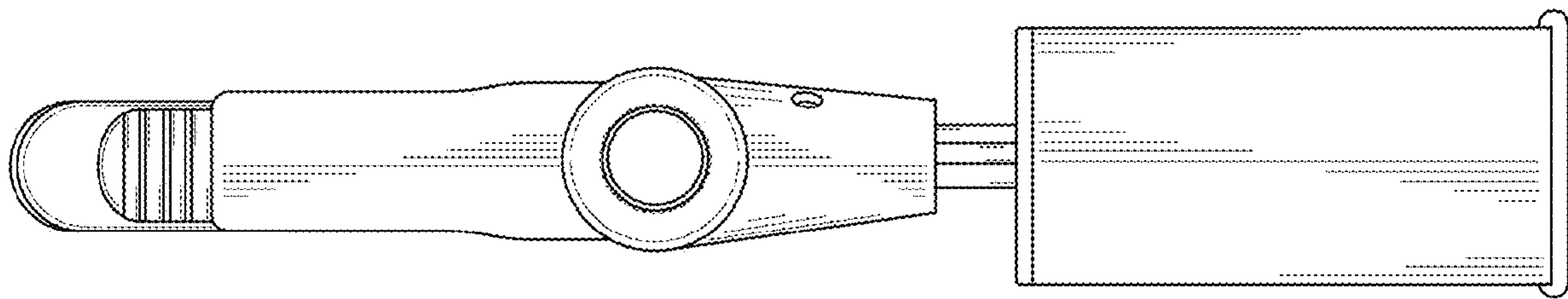


FIG. 5

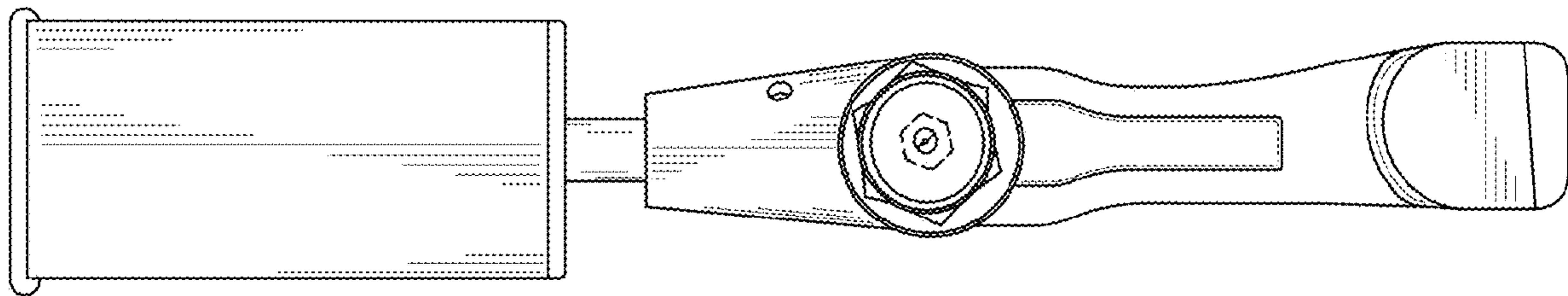


FIG. 6