



US00D959522S

(12) **United States Design Patent**
Vankeirsbilck

(10) **Patent No.: US D959,522 S**

(45) **Date of Patent: ** Aug. 2, 2022**

(54) **ACCESSORY FOR DRILLING TOOLS**

(71) Applicant: **OLIVIER INDUSTRIE NV**, Rumbeke (BE)

(72) Inventor: **Gerdi Vankeirsbilck**, Rumbeke (BE)

(**) Term: **15 Years**

(21) Appl. No.: **35/511,165**

(22) Filed: **Aug. 27, 2020**

(80) **Hague Agreement Data**

Int. Filing Date: **Aug. 27, 2020**

Int. Reg. No.: **DM/212008**

Int. Reg. Date: **Aug. 27, 2020**

Int. Reg. Pub. Date: **Jan. 15, 2021**

(30) **Foreign Application Priority Data**

Mar. 26, 2020 (EM) 007774716-0002

(51) **LOC (13) Cl.** **15-03**

(52) **U.S. Cl.**
USPC **D15/139**

(58) **Field of Classification Search**

USPC D15/131, 138, 139, 140; D8/70

CPC B23C 5/207; B23C 5/06; B23C 2200/125;

B23C 5/202; B23C 2200/203; B23C

2200/208; B23C 2210/168; B23C 5/109;

B23C 2200/128; B23C 2200/205; B23C

2200/367; B23C 5/20; B23C 5/2221;

B23C 2200/286; B23C 2200/0461; B23C

2200/0494; B23C 2200/085; B23C

2200/165; B23C 2200/201; B23C

2210/045; B23C 5/10; B23C 2200/0411;

B23C 2200/0416; B23C 2200/0455;

B23C 2200/123; B23C 2200/0483; B23C

2210/0457; B23C 5/006; B23C 5/2247;

B23C 5/28; B23C 2200/0422; B23C

2200/0433; B23C 2200/0444; B23C

2200/045; B23C 2200/0477; B23C

2200/08; B23C 2200/086; B23C

2200/126; B23C 2200/164; B23C
2200/168; B23C 2200/28; B23C
2200/366; B23C 2210/16; B23C
2210/161; B23C 2220/16; B23C 2228/10;
B23C 2250/12; B23C 5/08; B23C 5/16;
B23C 5/205; B23C 5/2213; B23C 5/2273;
B23C 2200/0466; B23C 2200/12; B23C
2200/16; B23C 2200/161; B23C
2200/167; B23C 2200/206; B23C
2200/243; B23C 2200/246; B23C
2200/283; B23C 2200/326; B23C
2200/361; B23C 2200/368; B23C
2210/02; B23C 2210/03; B23C
2210/0414; B23C 2210/0428; B23C
2210/163; B23C 2210/202; B23C
2210/244; B23C 2210/28; B23C 2210/66;
B23C 2220/44; B23C 2220/56; B23C
2220/60; B23C 2222/28; B23C 2222/32;
B23C 2224/04; B23C 2224/28; B23C
2224/36; B23C 2226/125; B23C 2226/18;
B23C 2228/04; B23C 2240/24; B23C
2240/245; B23C 2240/32;

(Continued)

(56) **References Cited**

U.S. PATENT DOCUMENTS

RE23,539 E * 8/1952 Tilden B28D 1/146

175/426

D262,630 S * 1/1982 Logan, Jr. 175/379

(Continued)

Primary Examiner — Richard E Chilcot

(57) **CLAIM**

The ornamental design for an accessory for drilling tools, as shown and described.

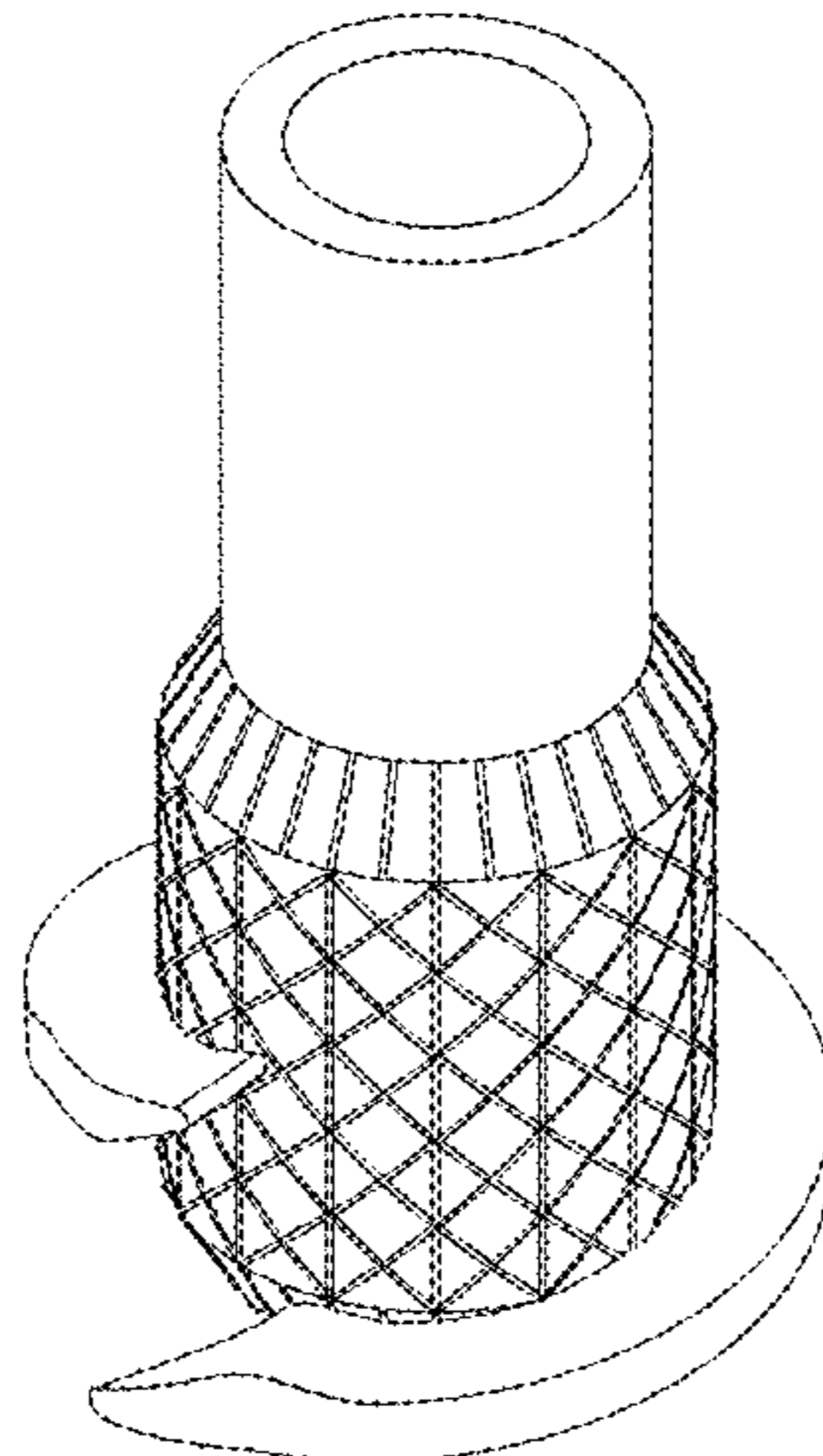
DESCRIPTION

1. Accessory for drilling tools

1.1 : Perspective

1.2 : Back

(Continued)



1.3 : Right
1.4 : Front

(56)

References Cited

1 Claim, 4 Drawing Sheets

U.S. PATENT DOCUMENTS

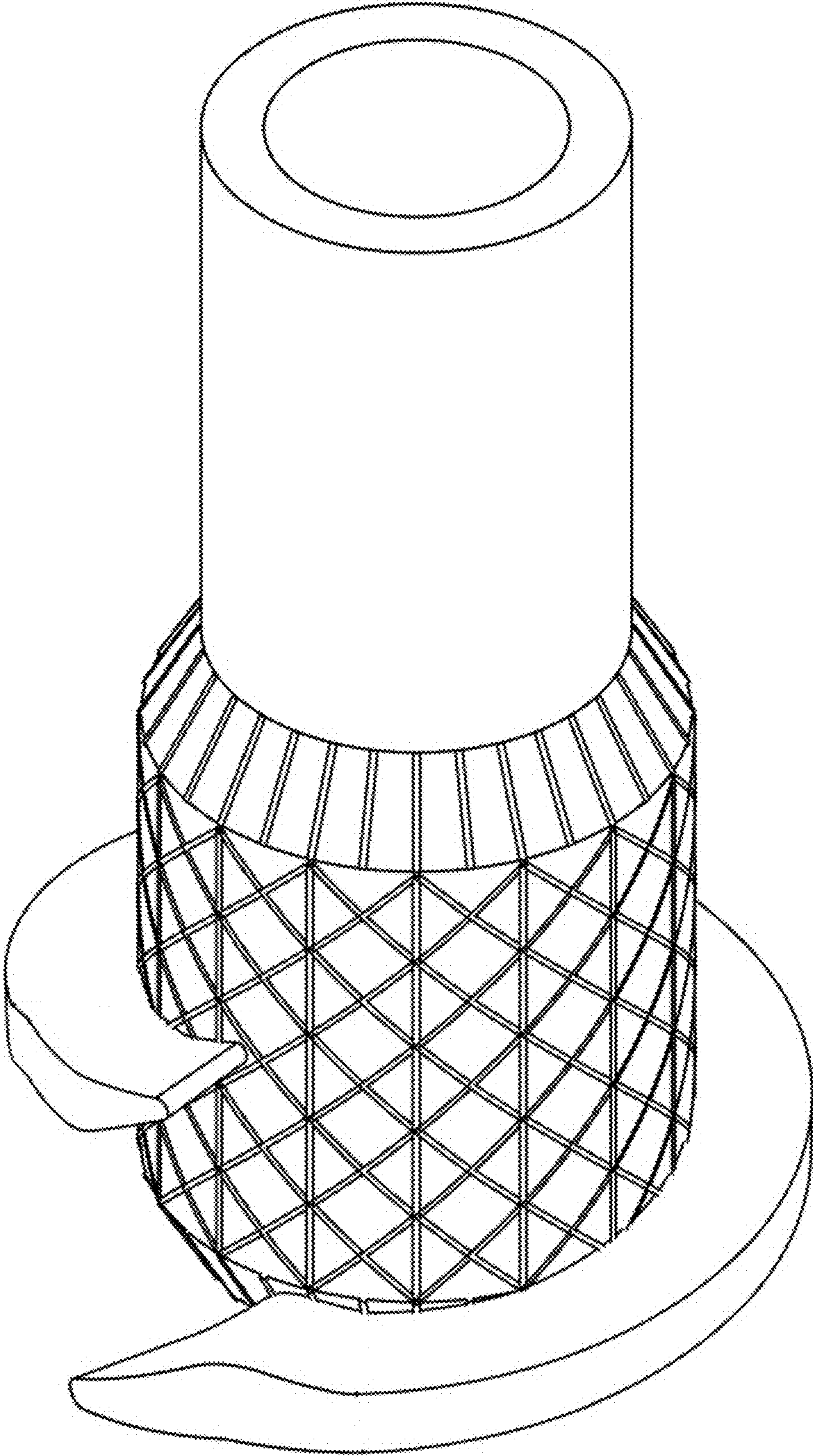
- (52) **U.S. Cl.**
CPC *B28D 1/146* (2013.01)
- (58) **Field of Classification Search**
CPC B23C 2250/04; B23C 2260/28; B23C
2265/08; B23C 3/12; B23C 5/003; B23C
5/1027; B23C 5/1045; B23C 5/18; B23C
5/22; B23C 5/2204; B23C 5/2208; B23C
5/2239; B23C 5/2269; B23C 5/2406;
B23C 5/241; B23C 5/242; B23C 5/2462;
B23C 5/2472

D363,294	S	*	10/1995	Ellis	D15/139
D674,422	S	*	1/2013	Hall	D15/139
D678,368	S	*	3/2013	Hall	D15/139
D708,238	S	*	7/2014	Matti	D15/139
D894,979	S	*	9/2020	Corona	D15/139
D894,980	S	*	9/2020	Corona	D15/139
D894,981	S	*	9/2020	Corona	D15/139
D936,714	S	*	11/2021	Nagtegaal	D15/139
D942,517	S	*	2/2022	Li	D15/139
2010/0101864	A1	*	4/2010	Sindt	E21B 17/1092 175/393

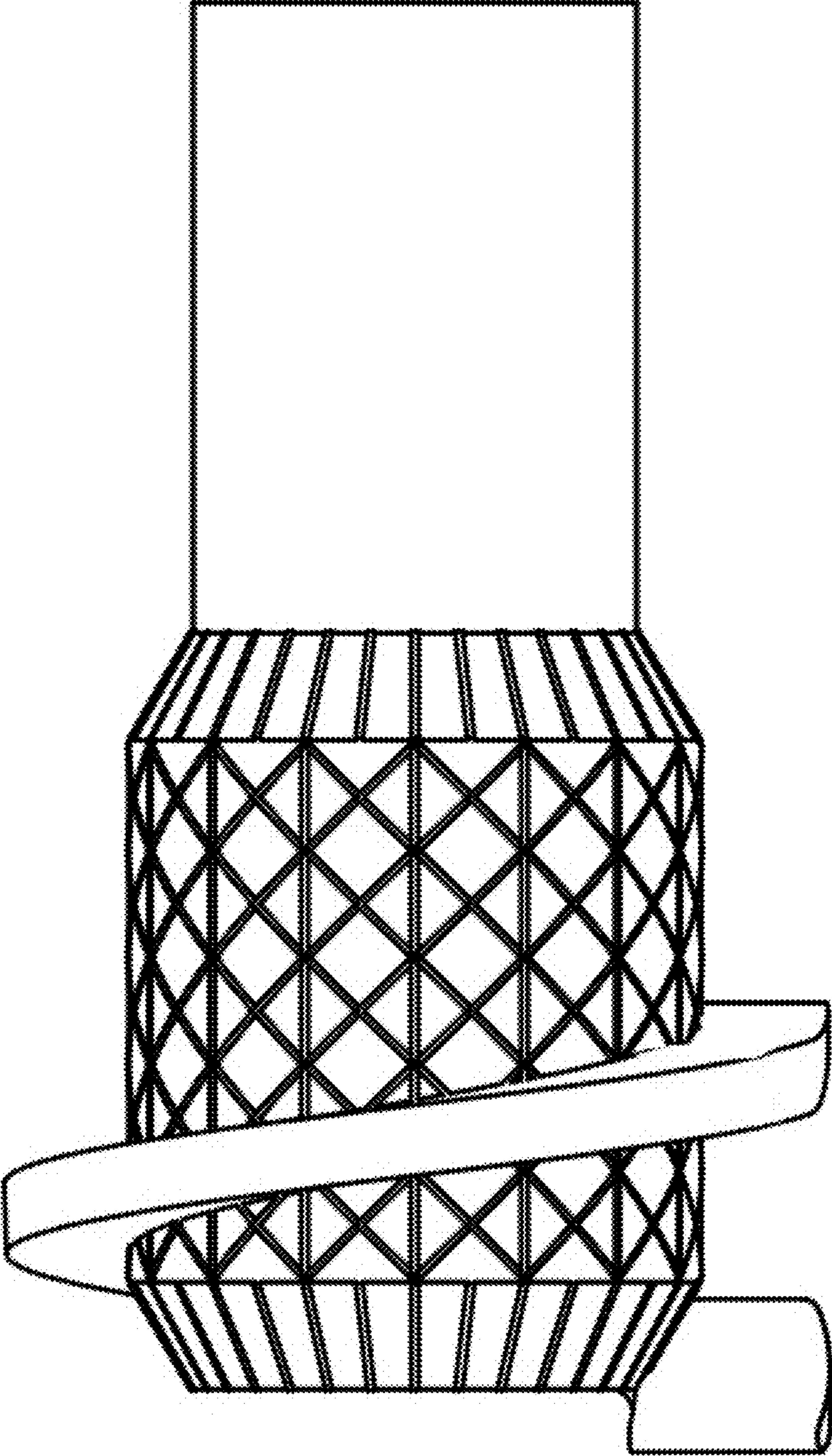
See application file for complete search history.

* cited by examiner

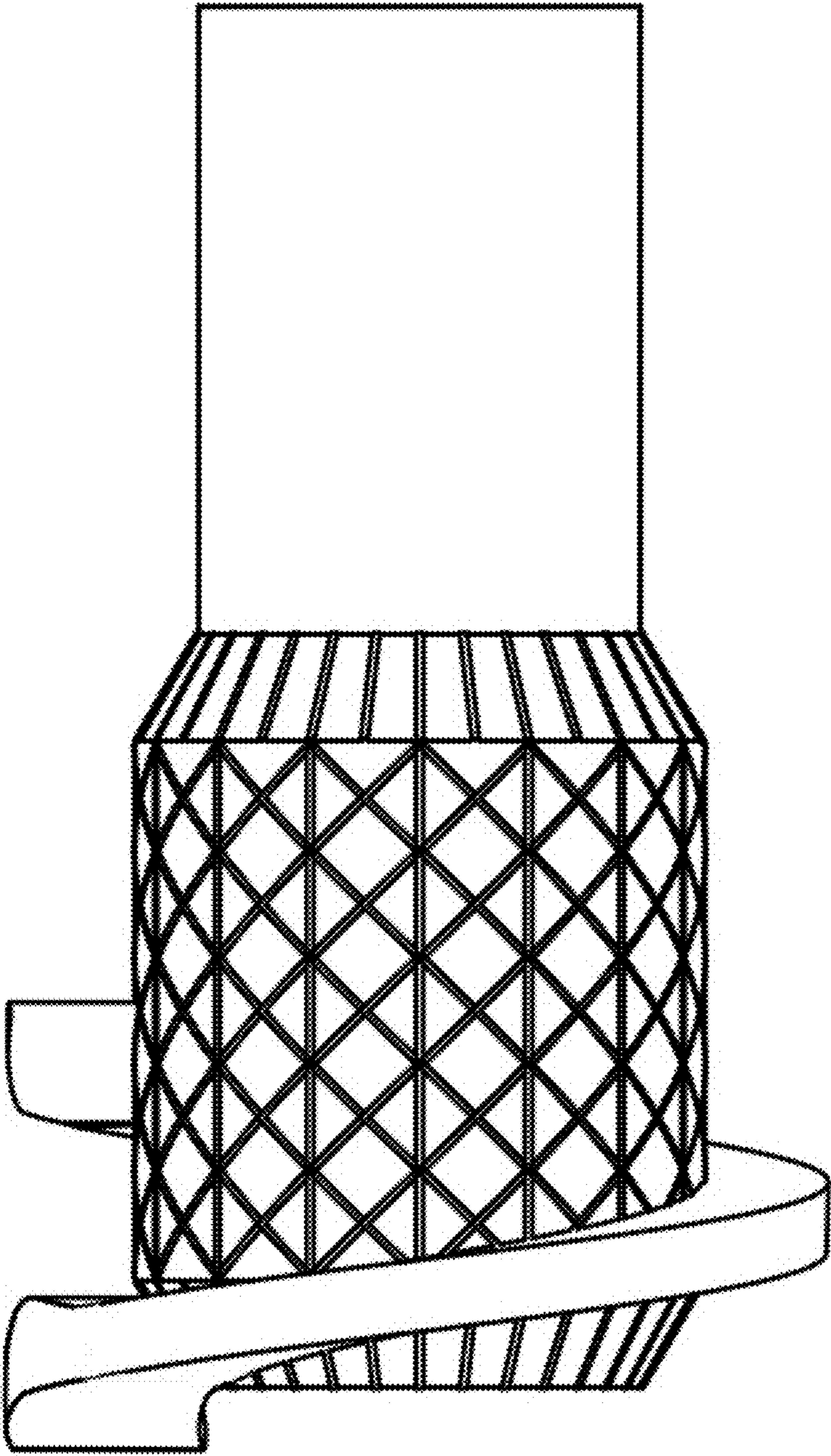
1.1



1.2



1.3



1.4

