



US00D959521S

(12) **United States Design Patent** (10) **Patent No.:** **US D959,521 S**
Abrams (45) **Date of Patent:** **** Aug. 2, 2022**

(54) **TOOL**
(71) Applicant: **Adam Abrams**, Mission Viejo, CA (US)
(72) Inventor: **Adam Abrams**, Mission Viejo, CA (US)
(**) Term: **15 Years**
(21) Appl. No.: **29/758,482**
(22) Filed: **Nov. 16, 2020**
(51) **LOC (13) Cl.** **15-09**
(52) **U.S. Cl.**
USPC **D15/139**
(58) **Field of Classification Search**
USPC D8/20, 70; D15/126, 131, 138, 139, 140
CPC B27G 15/00; Y10T 408/902; Y10T 408/9097; Y10T 408/90467
See application file for complete search history.

5,398,946 A * 3/1995 Quiring B25D 17/088
403/325
D359,968 S * 7/1995 Ekblad D15/139
D377,969 S * 2/1997 Grantham D23/262
D379,420 S * 5/1997 Standlee D8/70
D420,013 S * 2/2000 Warren D15/139
6,270,085 B1 * 8/2001 Chen B25B 21/007
279/22
6,312,322 B1 * 11/2001 Chang B24B 23/03
451/344
D457,046 S * 5/2002 Boyle D8/70
D479,253 S * 9/2003 Chen D15/140
D481,046 S * 10/2003 Gainer D15/139
6,637,755 B2 * 10/2003 Chen B25B 23/0057
279/22
D508,061 S * 8/2005 Kotala D15/138
D525,634 S * 7/2006 Kotala D15/138
D595,862 S * 7/2009 Suzuki D24/227
D597,571 S * 8/2009 Darr D15/139
D629,820 S * 12/2010 Van Ryswyk D15/139
D657,807 S * 4/2012 Frazier D15/139
D752,662 S * 3/2016 Hoop D15/138

(Continued)

Primary Examiner — Patricia A Palasik
(74) Attorney, Agent, or Firm — Law Office of Scott C Harris, Inc

(56) **References Cited**

U.S. PATENT DOCUMENTS

4,189,976 A * 2/1980 Becker F16B 23/0092
411/410
4,325,664 A * 4/1982 Mori B23C 5/2278
409/234
D269,348 S * 6/1983 Strohmaier D15/139
D275,759 S * 10/1984 Astle D15/139
D282,666 S * 2/1986 Salmi D15/138
D289,405 S * 4/1987 Nystrom D15/138
D296,559 S * 7/1988 Drabinski D15/140
D309,616 S * 7/1990 Carter D15/138
5,069,584 A * 12/1991 Obermeier E21B 10/48
125/20
D329,795 S * 9/1992 Bird D8/86
D338,146 S * 8/1993 Gramera D8/70
D350,887 S * 9/1994 Sjolander D8/70
D355,428 S * 2/1995 Hatcher D15/139

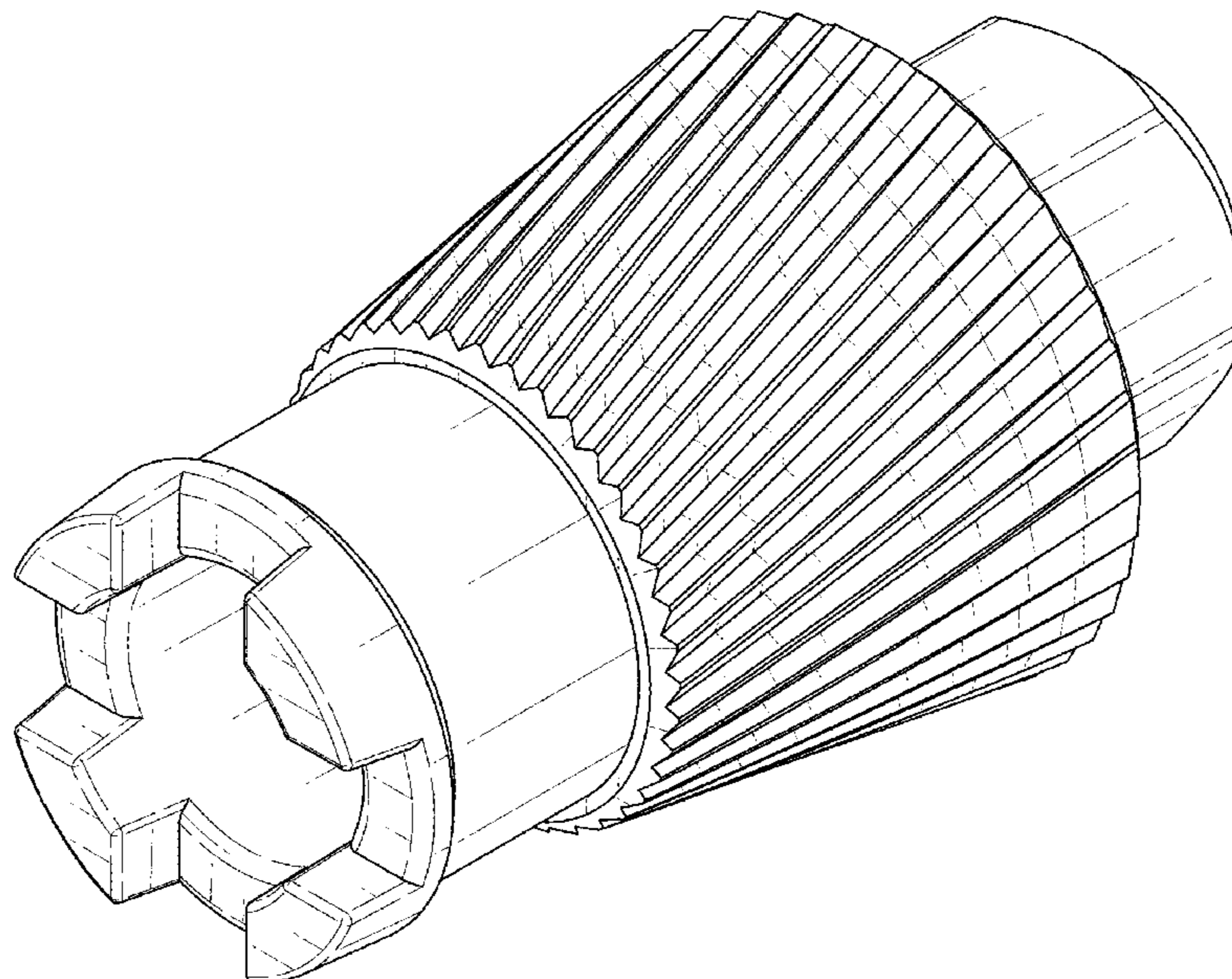
(57) **CLAIM**

I claim the ornamental design for a tool, as shown and described.

DESCRIPTION

FIG. 1 is a first perspective view of the tool;
FIG. 2 is a top view of the tool;
FIG. 3 shows a bottom view of the tool;
FIG. 4 shows a first side view of the tool;
FIG. 5 shows a second side view of the tool;
FIG. 6 shows another side view of the tool;
FIG. 7 shows another side view of the tool; and,
FIG. 8 shows a cross sectional view of the tool.

1 Claim, 7 Drawing Sheets



(56)

References Cited

U.S. PATENT DOCUMENTS

D827,000 S * 8/2018 VanLue E21B 23/01
D15/138

* cited by examiner

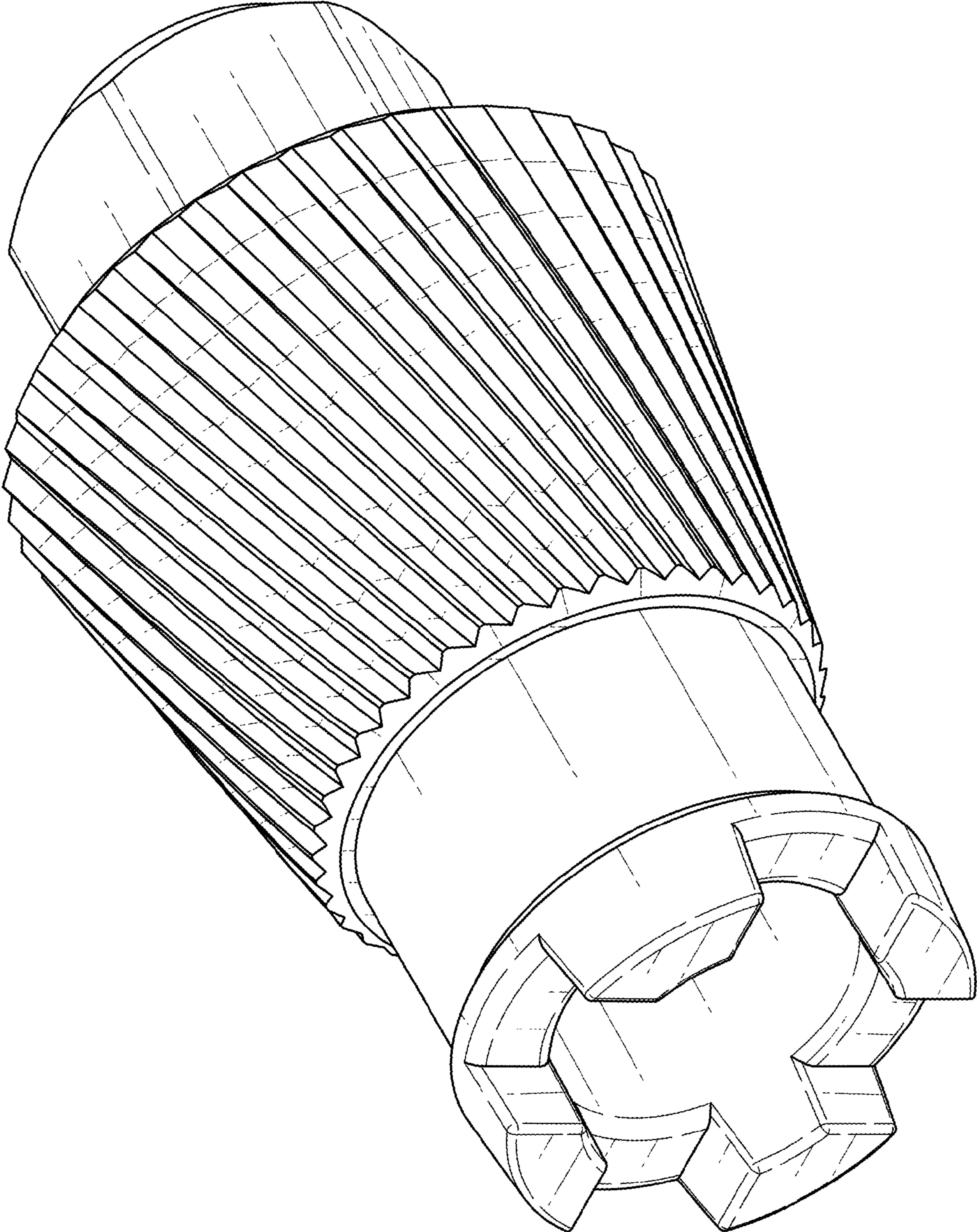


FIG. 1

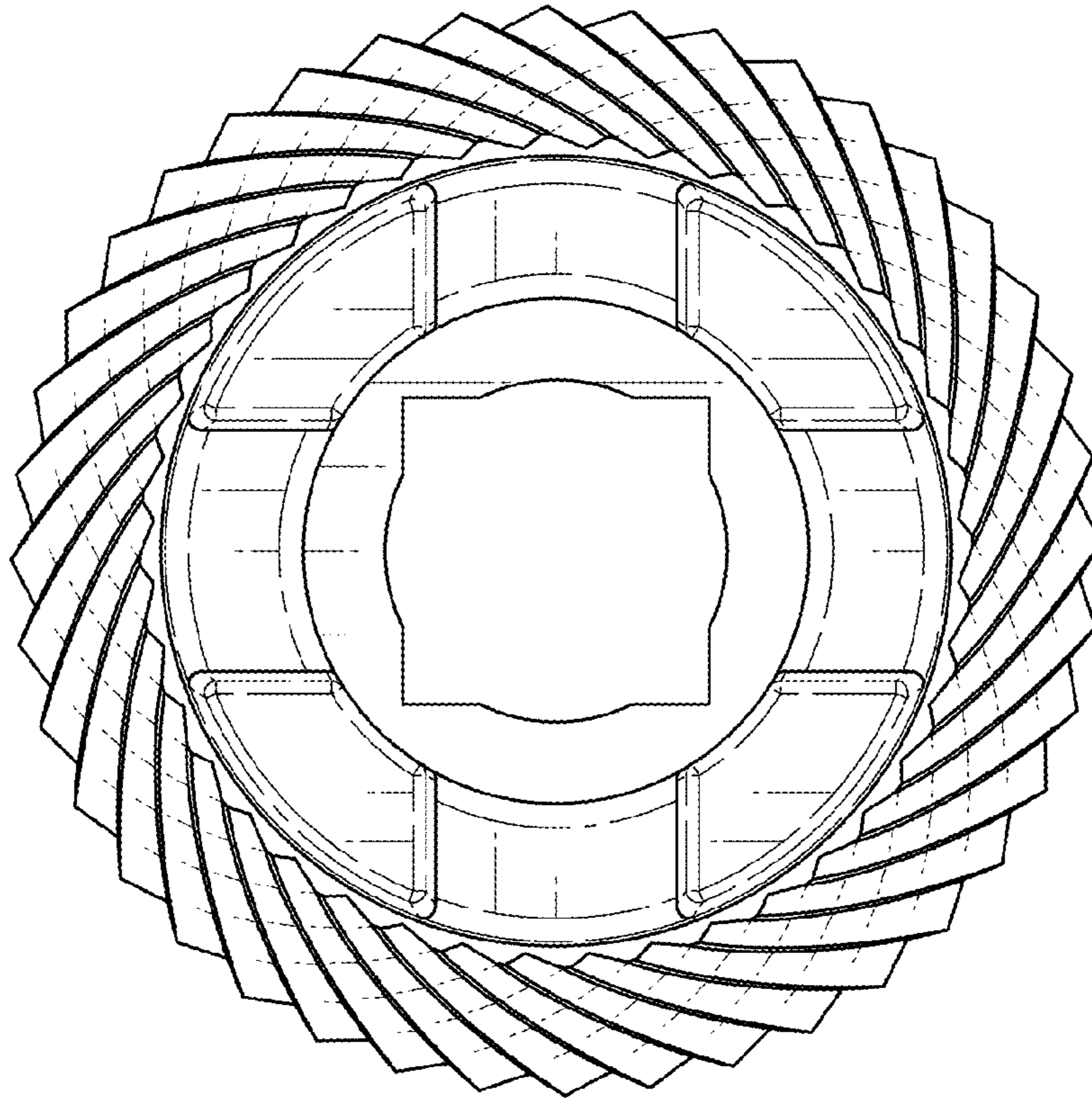


FIG. 2

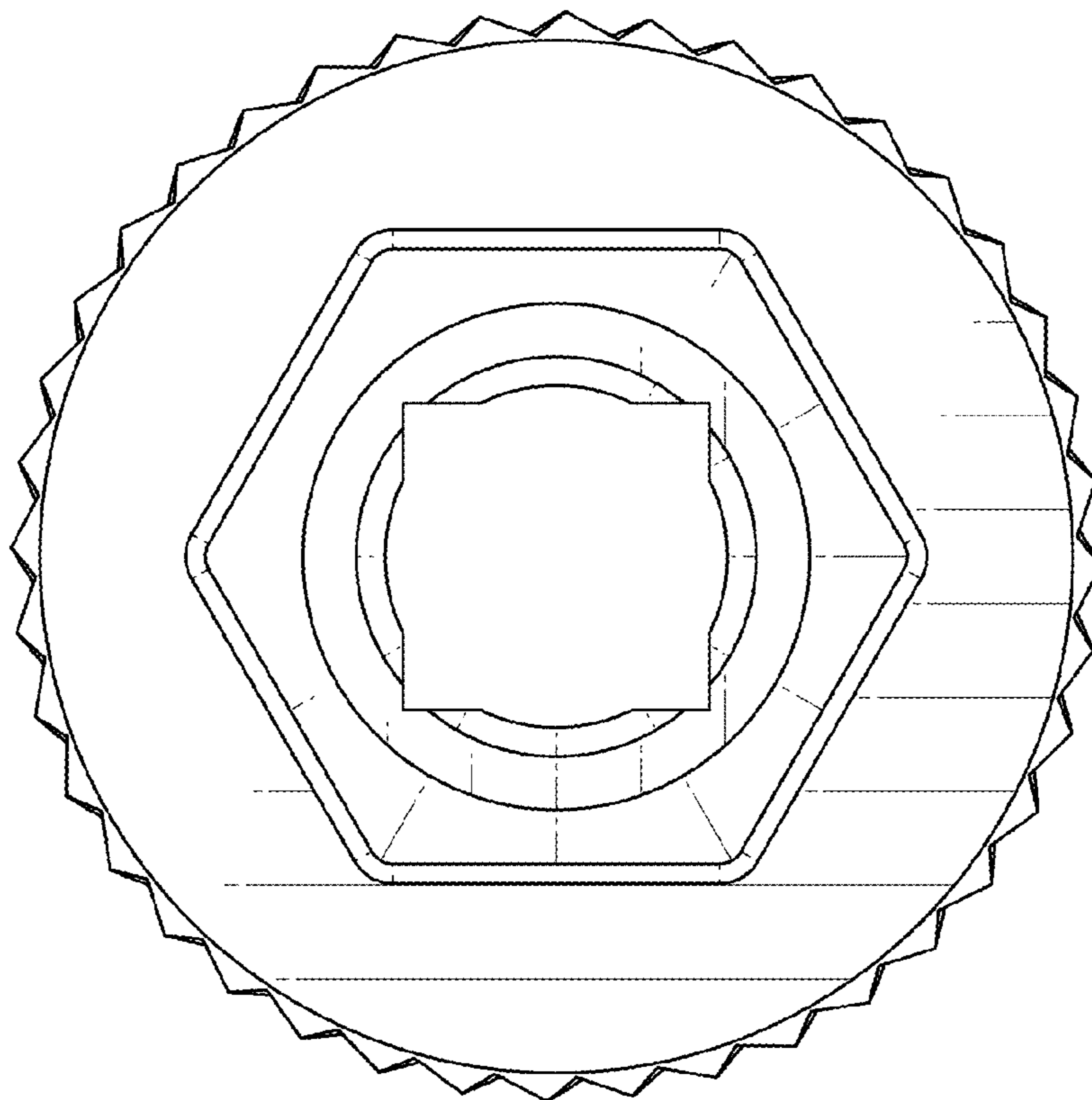


FIG. 3

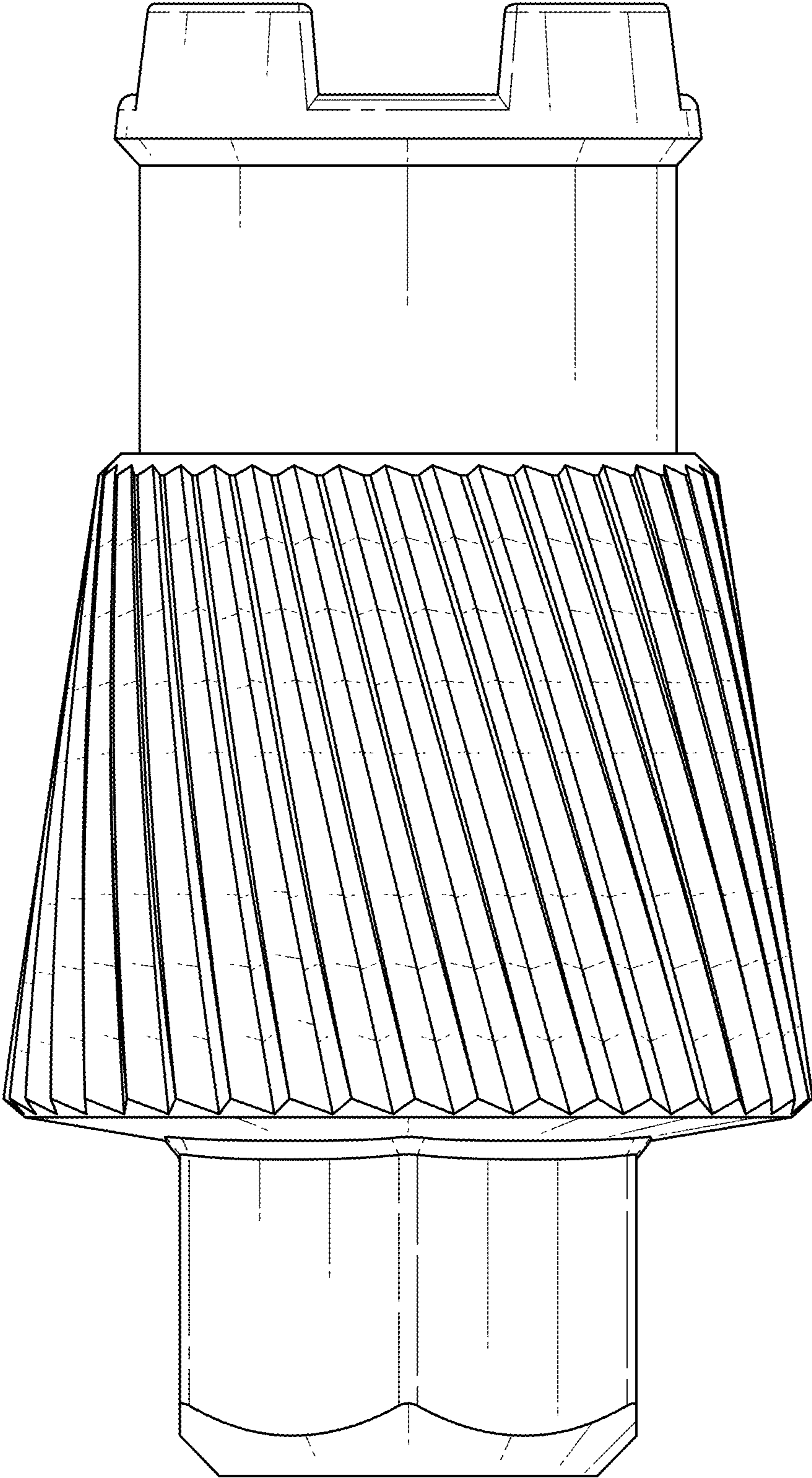


FIG. 4

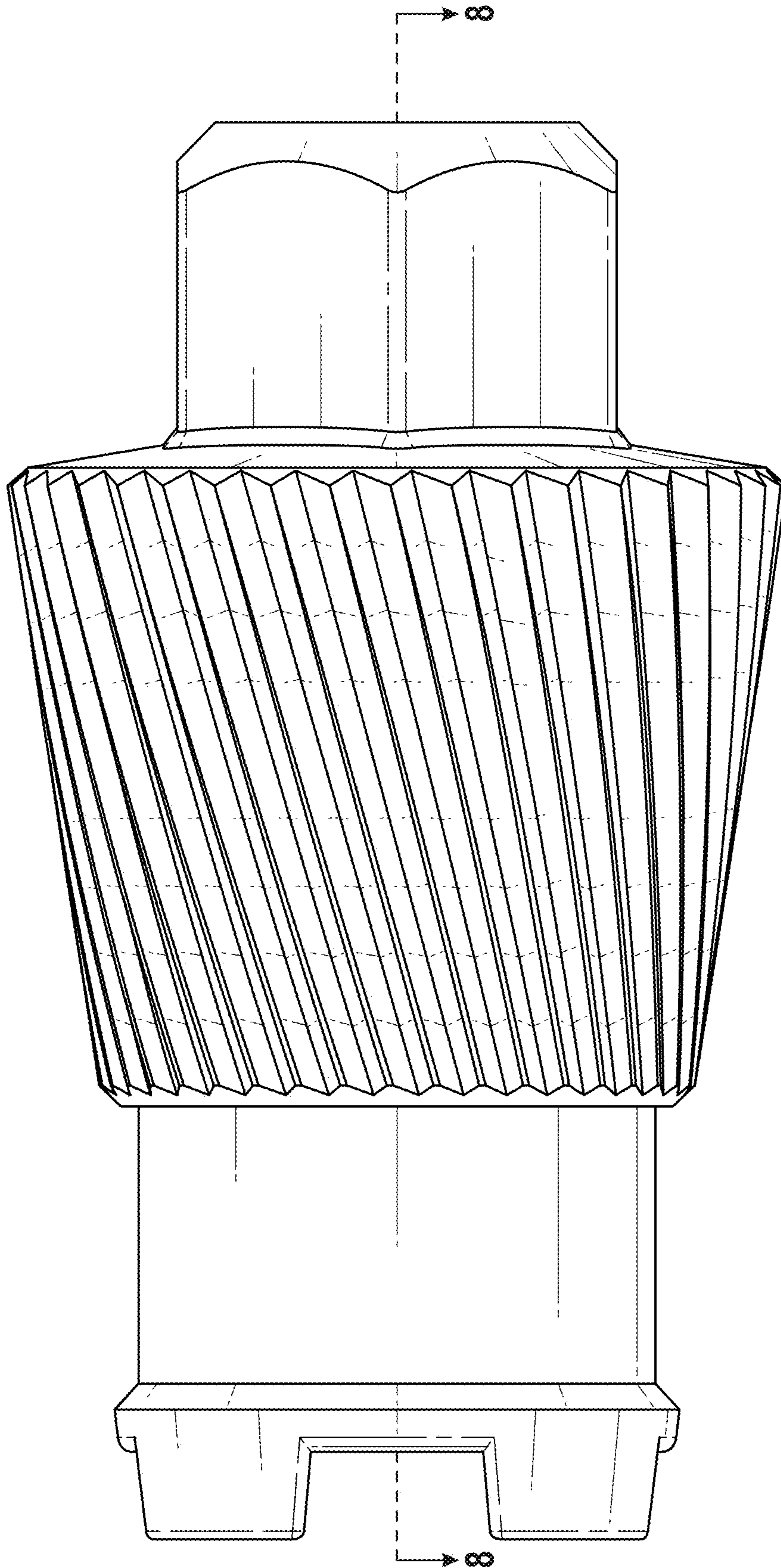


FIG. 5

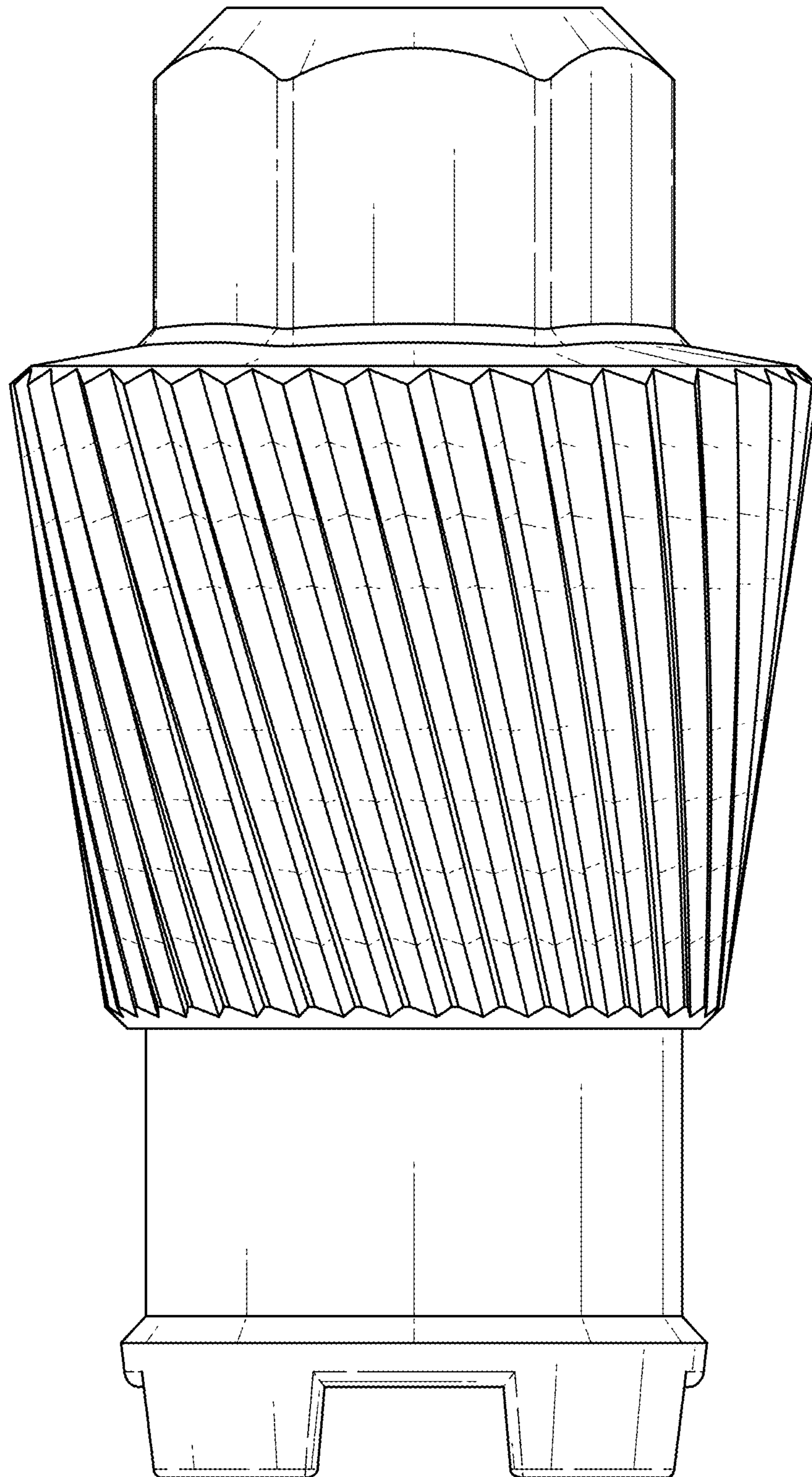


FIG. 6

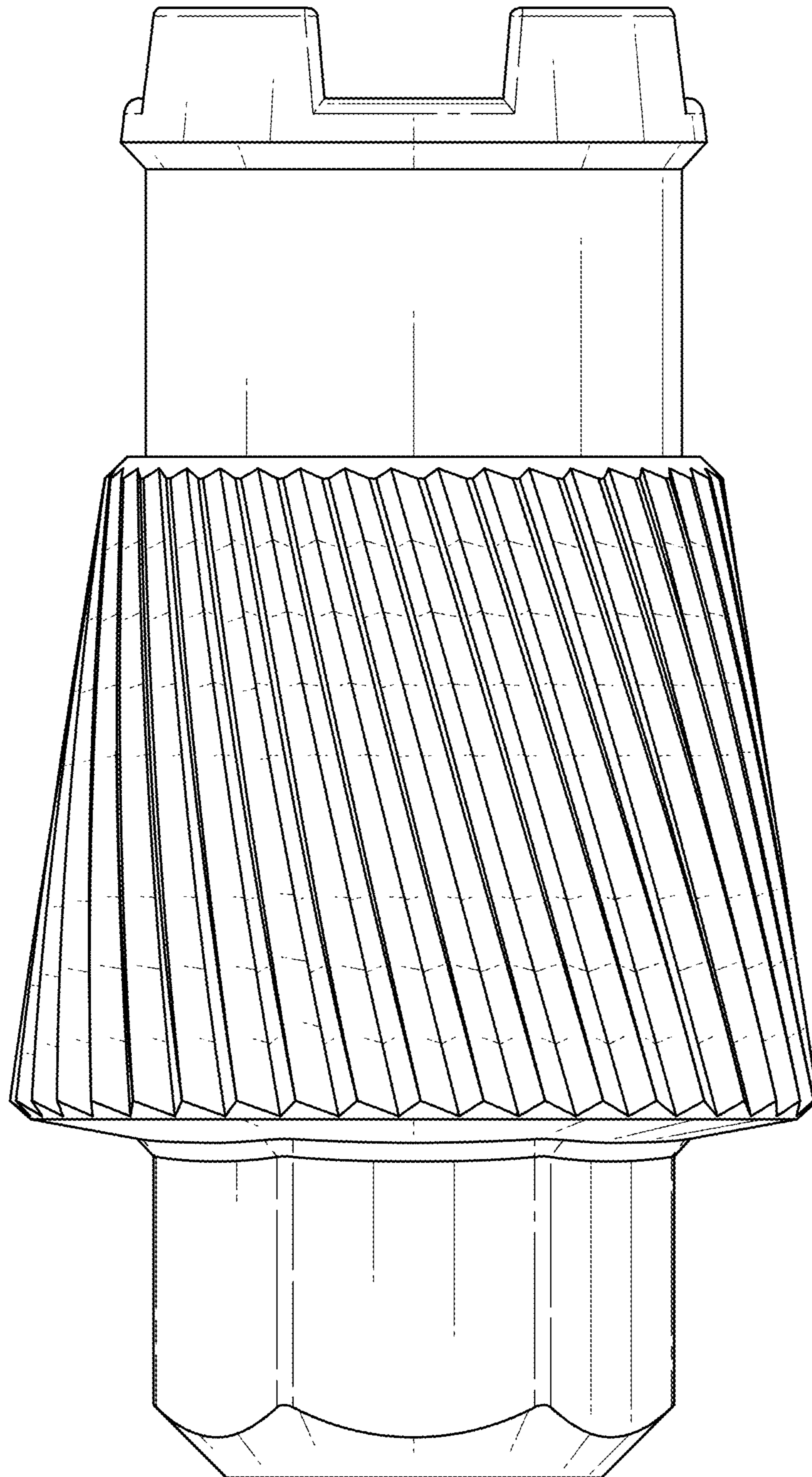


FIG. 7

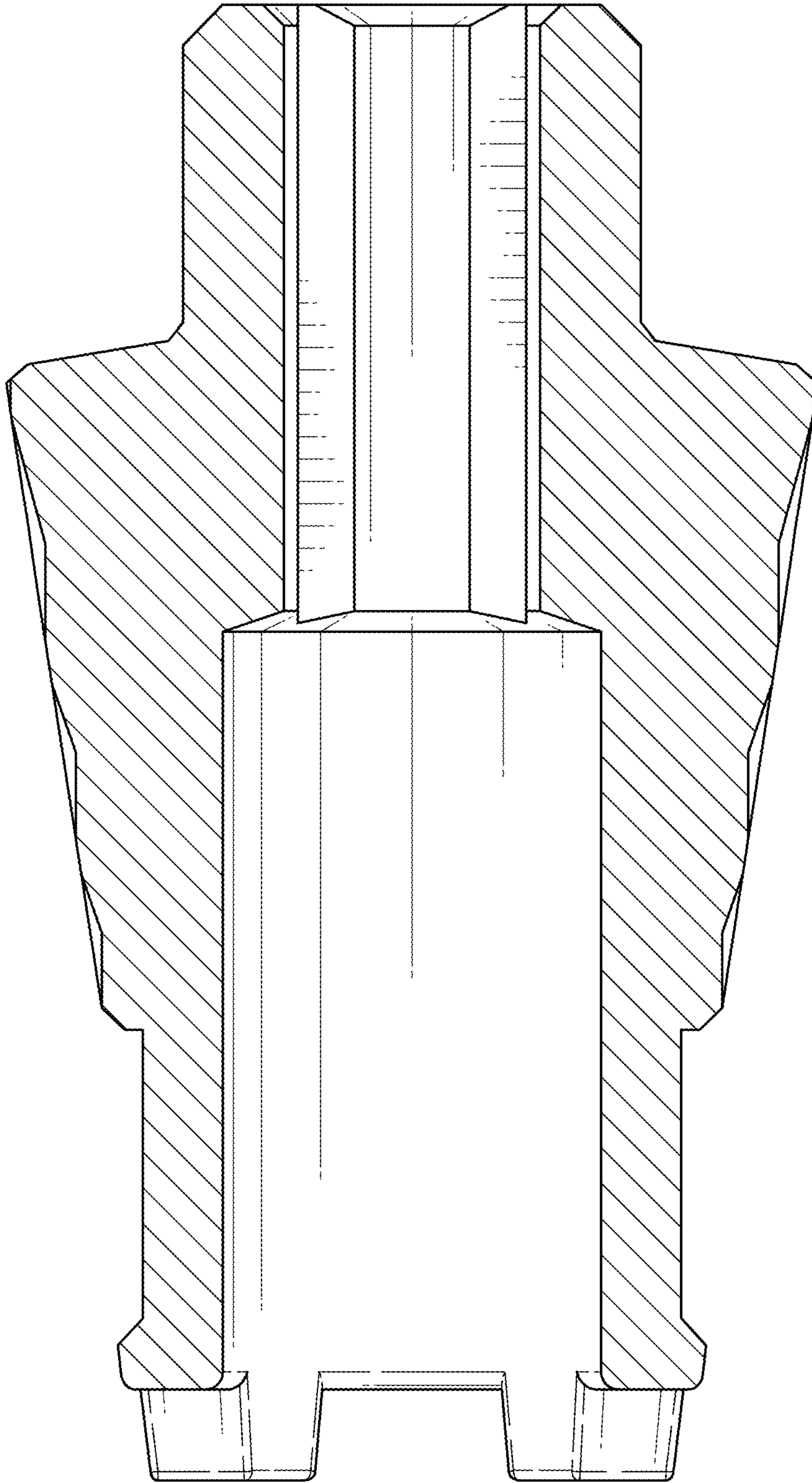


FIG. 8