



US00D959520S

(12) **United States Design Patent** (10) **Patent No.:** **US D959,520 S**
Su (45) **Date of Patent:** **** Aug. 2, 2022**

(54) **ROTARY CUTTER**
(71) Applicant: **Hong Ann Tool Industries Co., Ltd.,**
Taichung (TW)
(72) Inventor: **Cheng-Wei Su, Taichung (TW)**
(73) Assignee: **Hong Ann Tool Industries Co., Ltd.,**
Taichung (TW)
(**) Term: **15 Years**
(21) Appl. No.: **29/752,205**
(22) Filed: **Sep. 25, 2020**

(30) **Foreign Application Priority Data**
Jun. 9, 2020 (EM) 007988480-0009
(51) **LOC (13) Cl.** **15-09**
(52) **U.S. Cl.**
USPC **D15/139**
(58) **Field of Classification Search**
USPC D8/20, 70, 71; D15/130, 138, 139, 140
CPC B23B 5/167; B23G 9/003; B23G 2240/08;
Y10T 408/893; Y10T 408/899
See application file for complete search history.

(56) **References Cited**
U.S. PATENT DOCUMENTS
6,099,211 A * 8/2000 Lee B27G 13/16
33/634
D639,829 S * 6/2011 Saunders D15/139
D745,585 S * 12/2015 Heilmeier D15/139
D746,884 S * 1/2016 Heilmeier D15/139
D768,742 S * 10/2016 Charbonneau D15/139
9,821,393 B2 * 11/2017 Su B23B 5/167
10,016,812 B2 * 7/2018 Ferguson B23B 5/167
10,293,410 B2 * 5/2019 Yu B23B 5/167
D875,798 S * 2/2020 Su D15/139

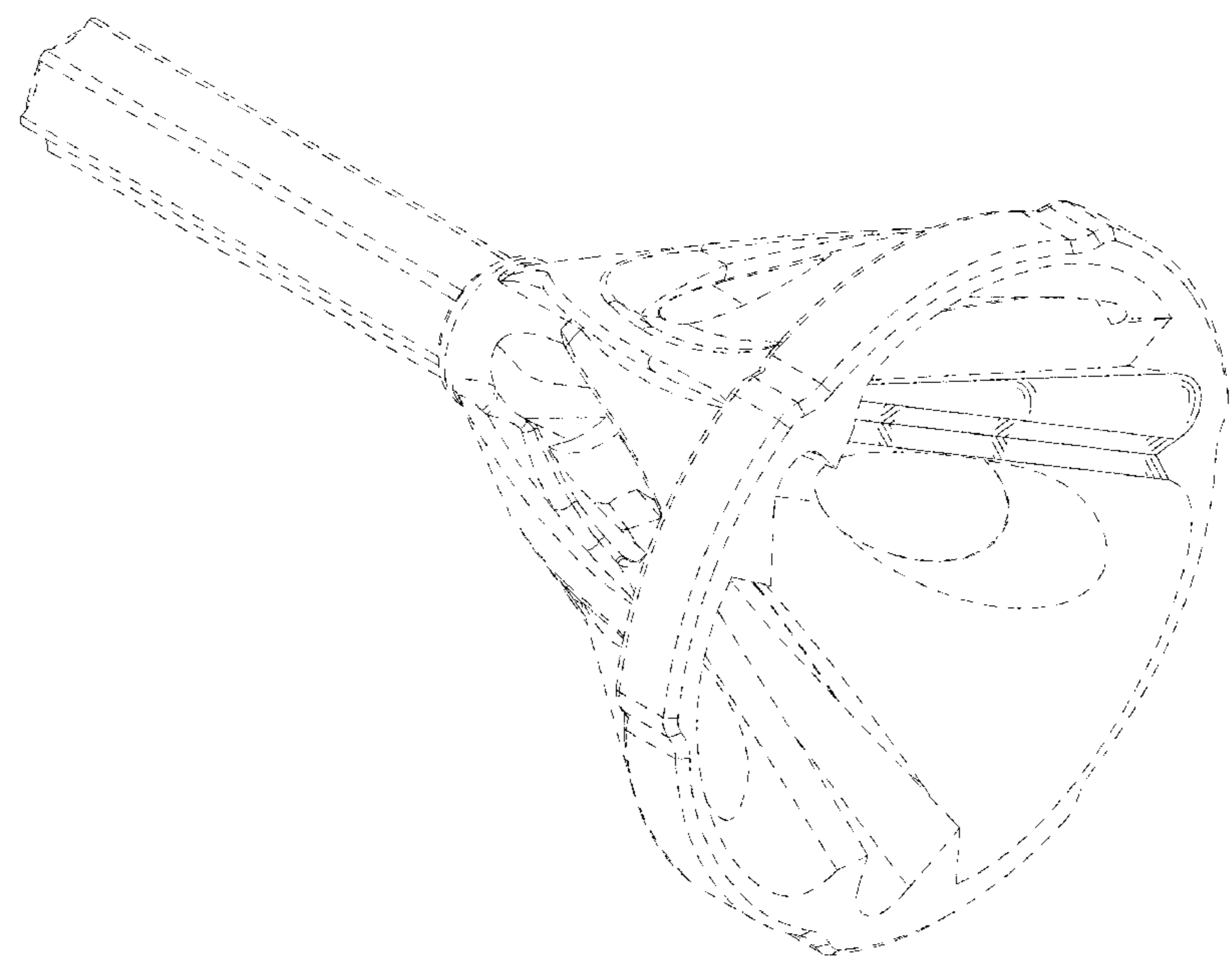
2002/0146293 A1 * 10/2002 Nelson B23C 5/202
407/114
2008/0317561 A1 * 12/2008 Kobatake B23Q 11/1023
409/232
2016/0082517 A1 * 3/2016 Ferguson B23B 5/167
408/1 BD
2017/0291240 A1 * 10/2017 Su B23B 5/167
2018/0147632 A1 * 5/2018 Yu B23B 5/167
2019/0143418 A1 * 5/2019 Su B23B 5/167
408/229
2019/0176236 A1 * 6/2019 Su B23G 9/003
2020/0338656 A1 * 10/2020 Su B23B 51/103
2020/0384558 A1 * 12/2020 Su B23B 5/167
2021/0229202 A1 * 7/2021 Su B23B 5/167

* cited by examiner
Primary Examiner — Patricia A Palasik
(74) *Attorney, Agent, or Firm* — Alan D. Kamrath; Karin L. Williams; Mayer & Williams PC

(57) **CLAIM**
The ornamental design for a rotary cutter, as shown and described.

DESCRIPTION
FIG. 1 is a perspective view of the first embodiment of a rotary cutter showing my new design;
FIG. 2 is another perspective view of the claimed design thereof;
FIG. 3 is a front view thereof;
FIG. 4 is a rear view thereof;
FIG. 6 is a left view thereof;
FIG. 6 is a right view thereof;
FIG. 7 is a top view thereof; and,
FIG. 8 is a bottom view thereof.
The broken lines depict portions of the rotary cutter in which the design is embodied that are not considered part of the claimed design.

1 Claim, 8 Drawing Sheets



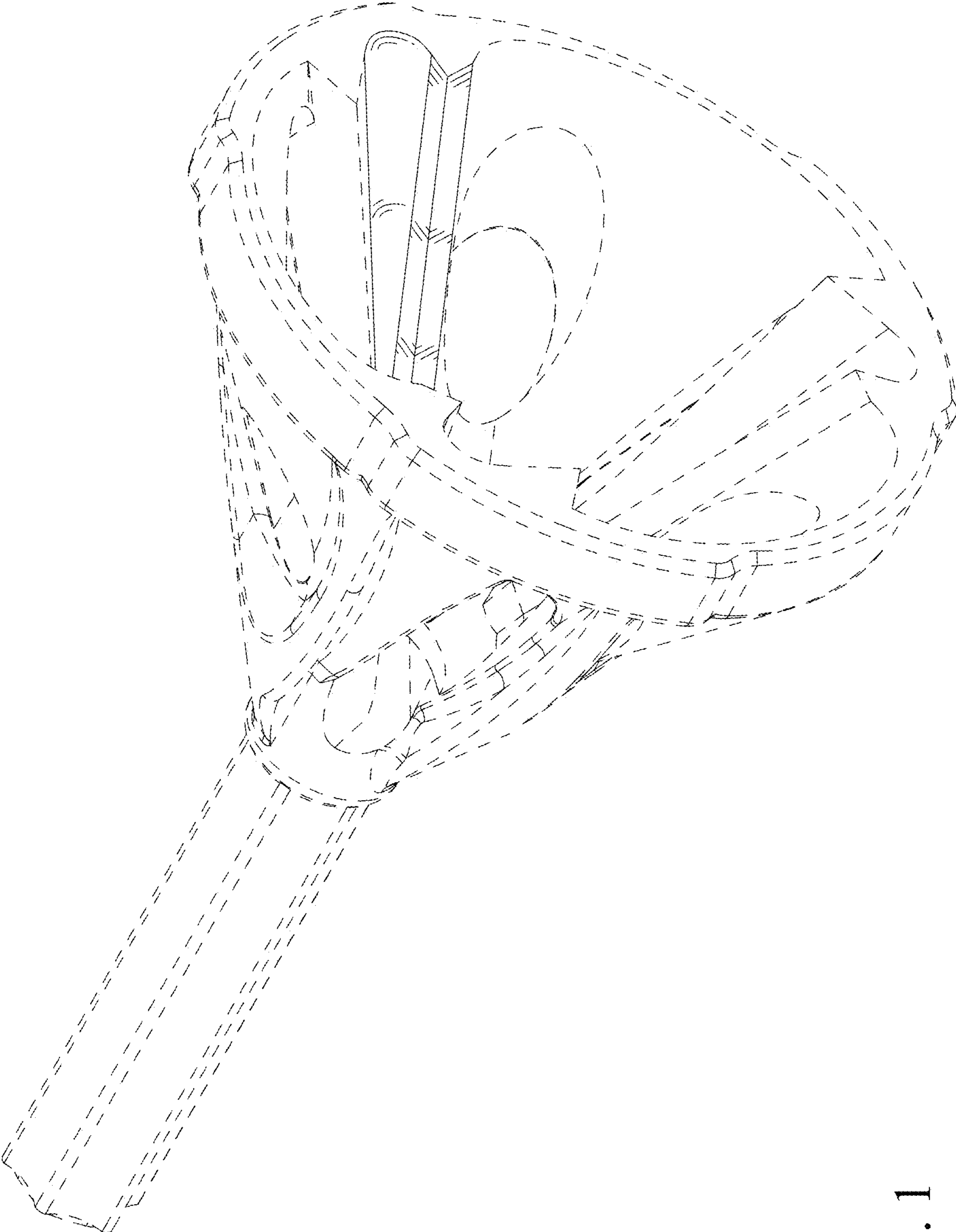


FIG. 1

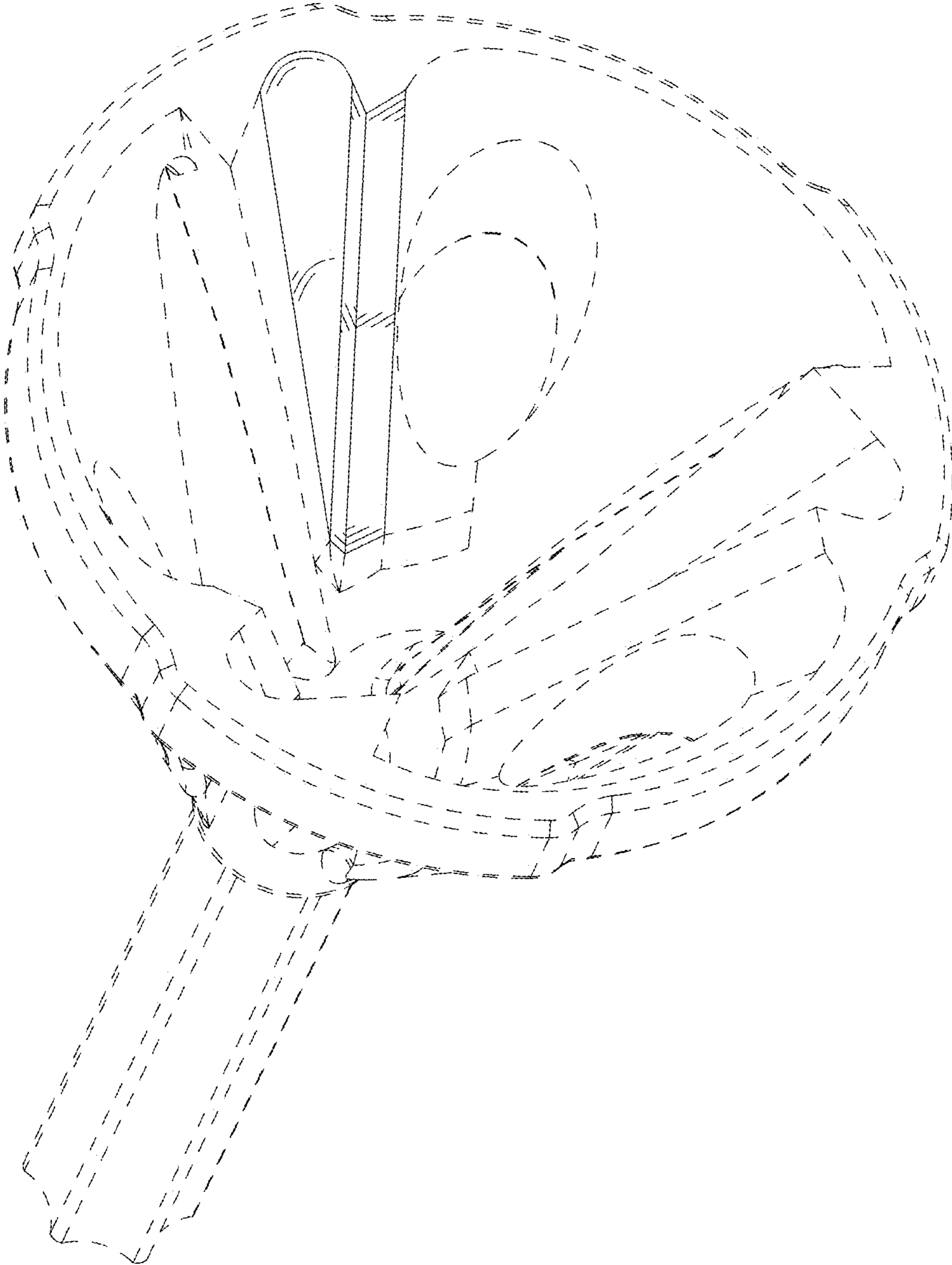


FIG. 2

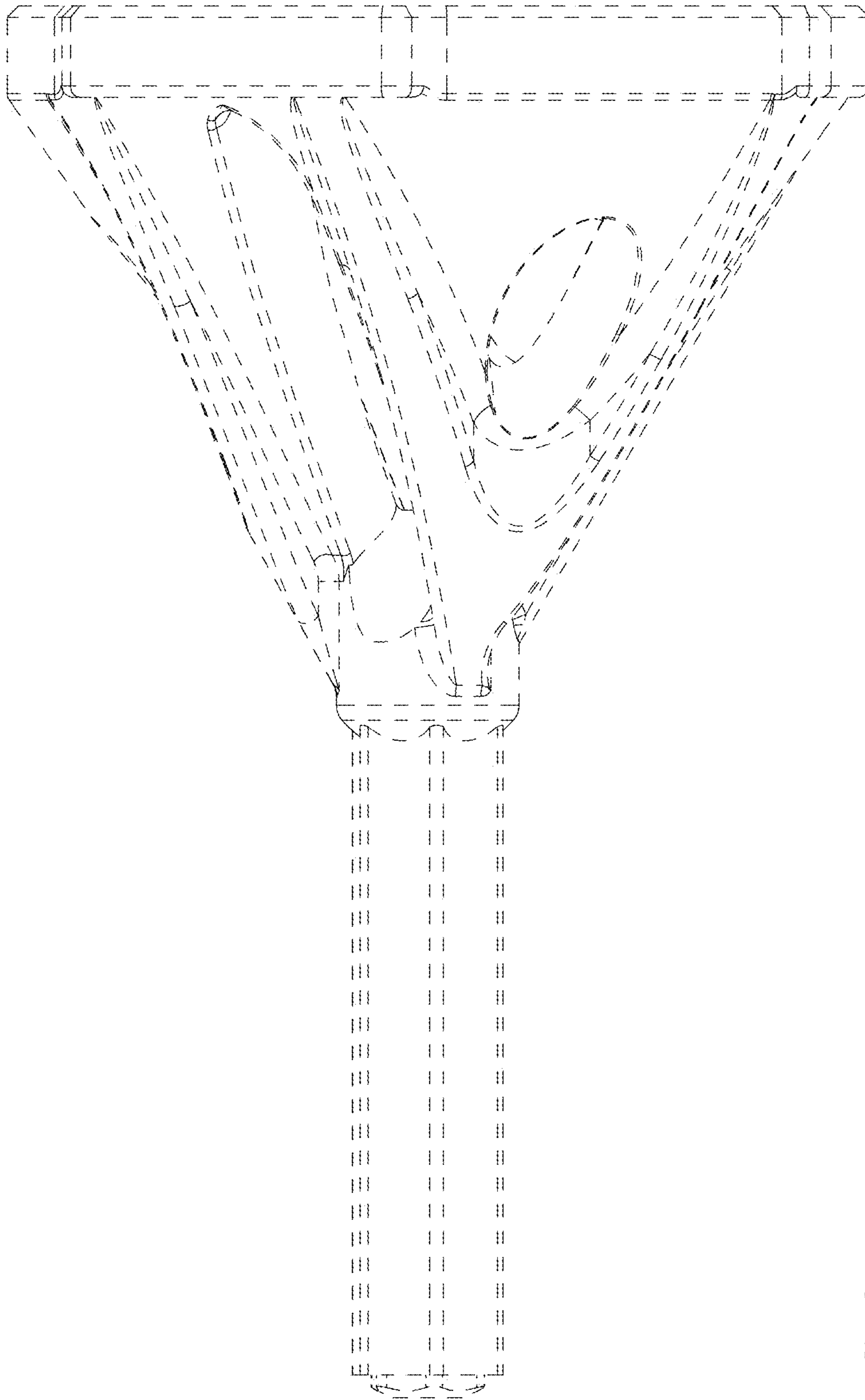


FIG. 3

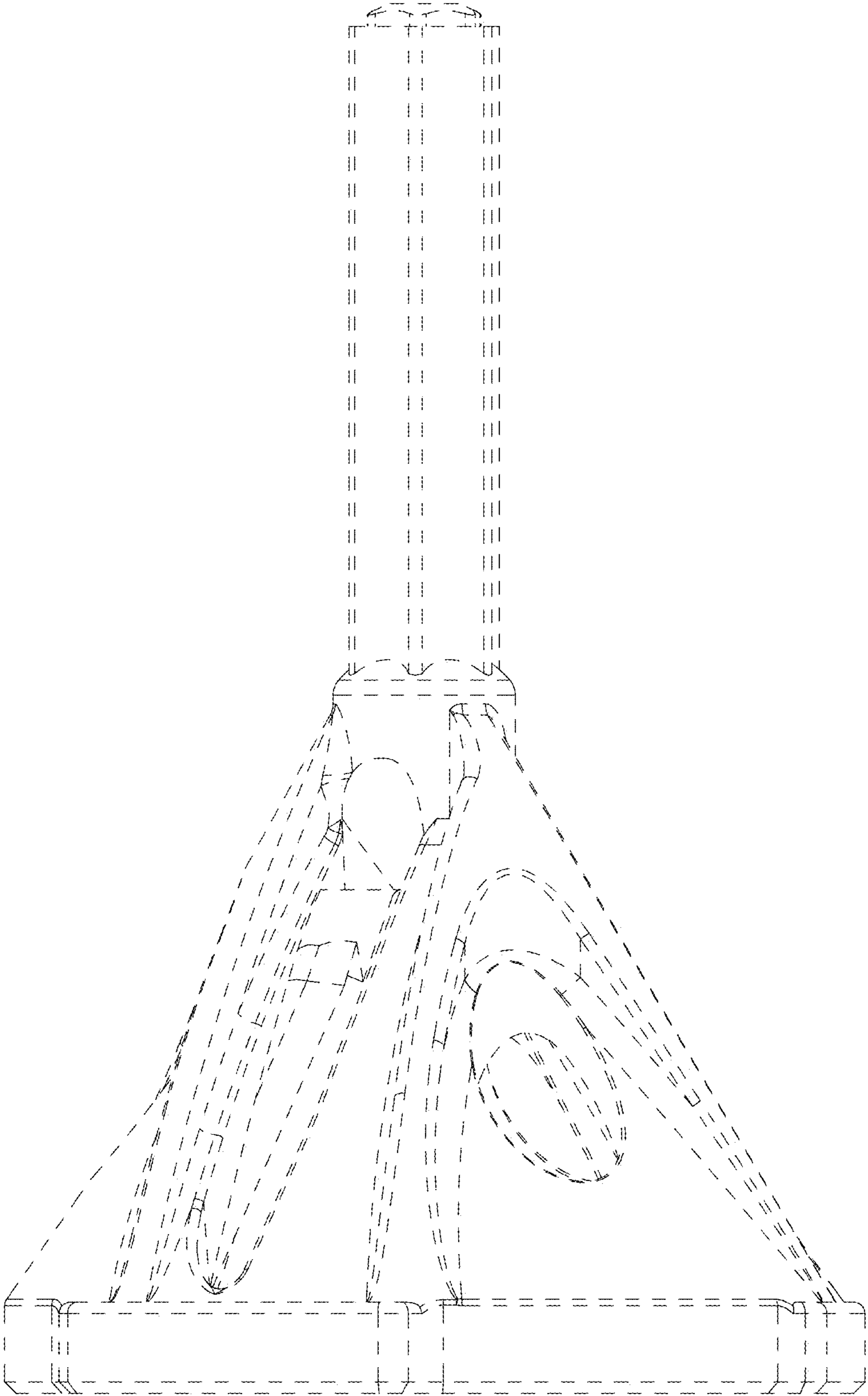


FIG. 4

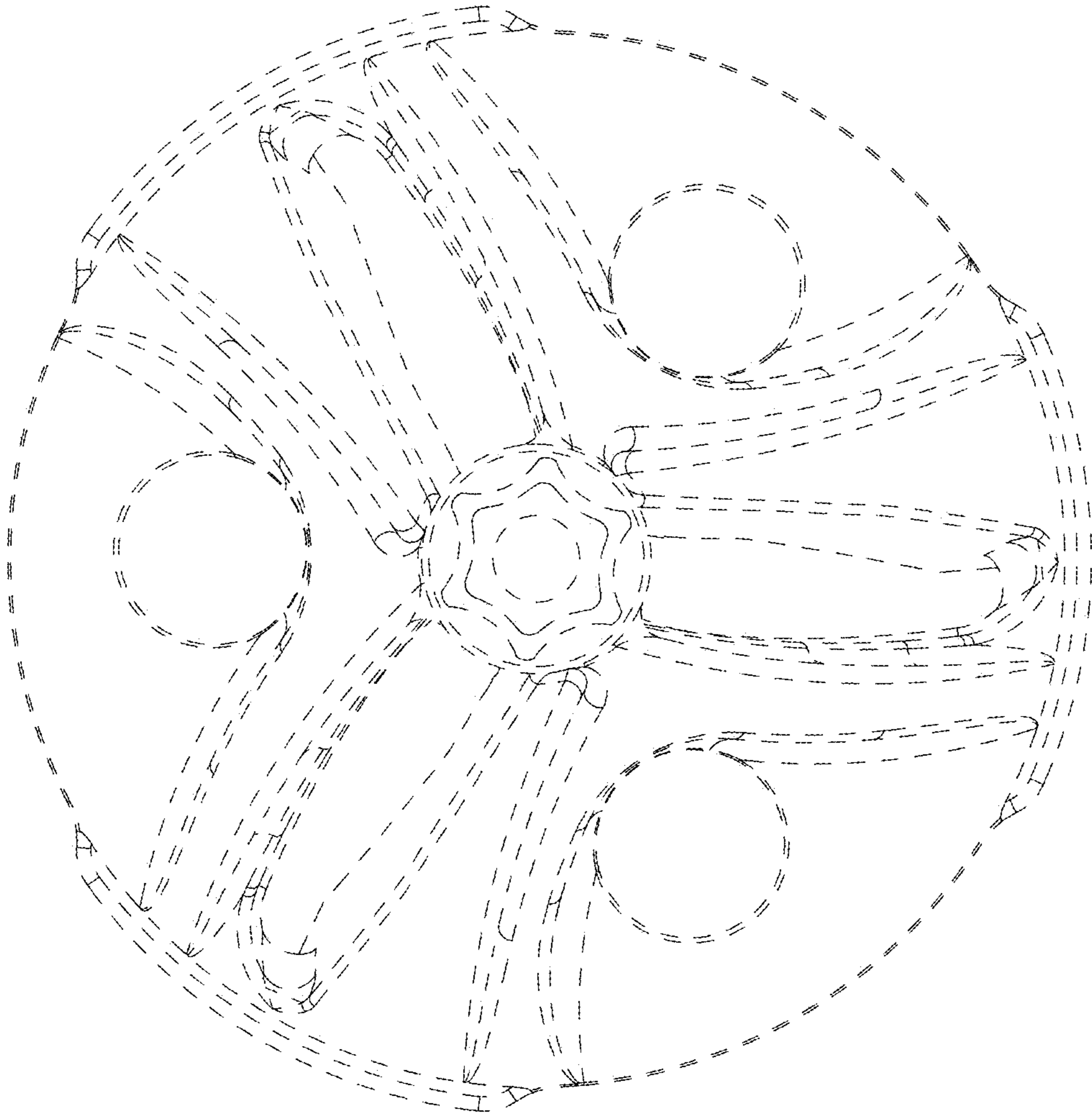


FIG. 5

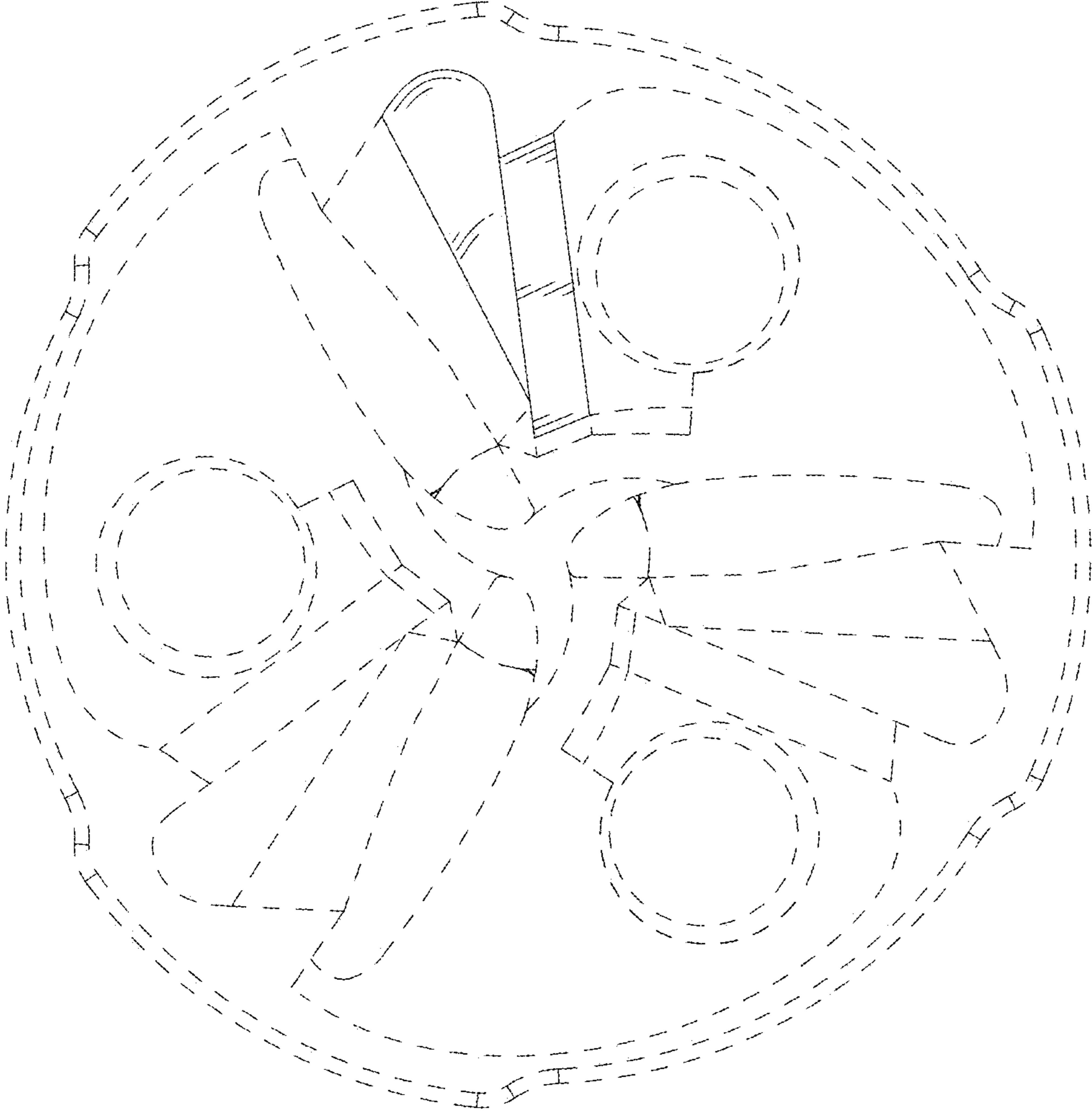


FIG. 6

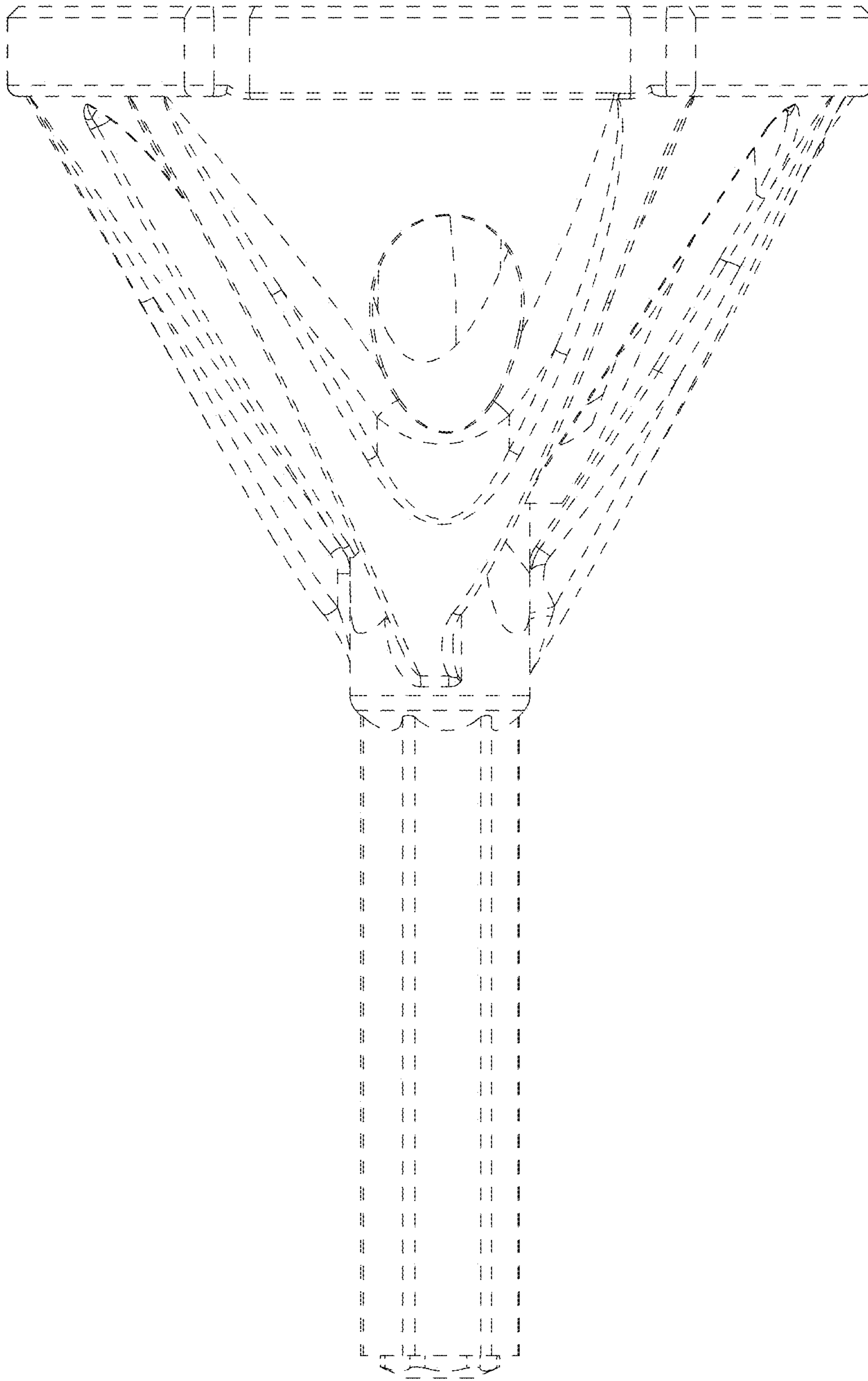


FIG. 7

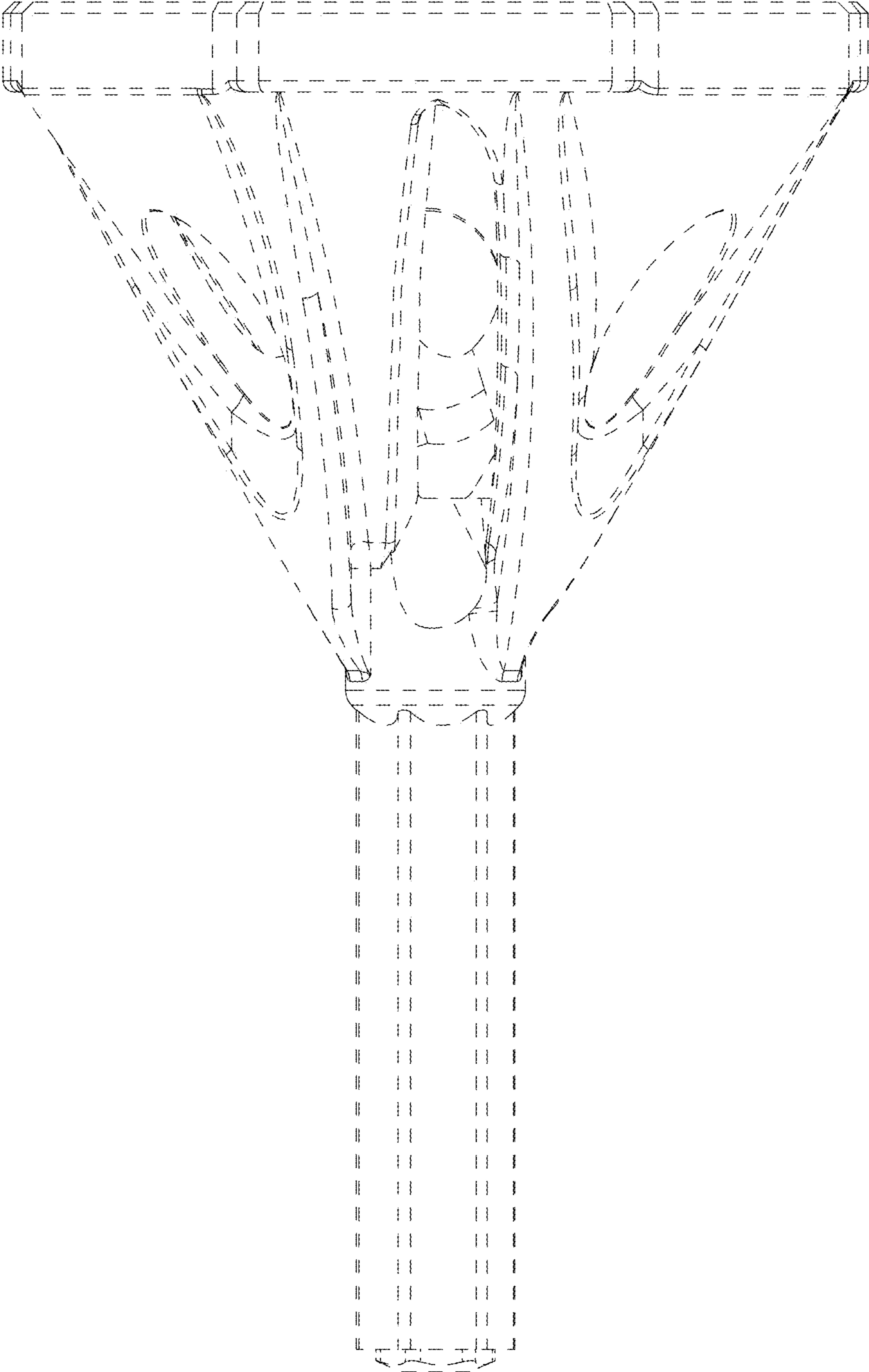


FIG. 8