



US00D959519S

(12) **United States Design Patent** (10) **Patent No.:** **US D959,519 S**
Mills (45) **Date of Patent:** **** Aug. 2, 2022**

(54) **MILLING BIT**
(71) Applicant: **China Pacificarbide, Inc.**, Chino, CA (US)
(72) Inventor: **Ronald D. Mills**, Anaheim Hills, CA (US)
(73) Assignee: **China Pacificarbide, Inc.**, Chino, CA (US)

D640,291 S * 6/2011 Stelman D15/21
8,028,774 B2 10/2011 Hall et al.
D674,422 S * 1/2013 Hall D15/139
D724,636 S * 3/2015 Jones D15/131
D808,449 S * 1/2018 Buhr D15/139
D819,098 S * 5/2018 Buhr E21C 35/18
D15/139
D828,415 S * 9/2018 Ota D15/139
D828,416 S * 9/2018 Ota D15/139
10,107,097 B1 10/2018 Sollami
D839,936 S * 2/2019 Weber D15/139
D878,439 S * 3/2020 Chen D15/139
10,794,181 B2 10/2020 Sollami

(**) Term: **15 Years**

(21) Appl. No.: **29/733,097**
(22) Filed: **Apr. 29, 2020**
(51) **LOC (13) Cl.** **15-09**
(52) **U.S. Cl.**
USPC **D15/139**
(58) **Field of Classification Search**
USPC D8/68-70, 385, 395; D15/19, 21,
D15/131-133, 138, 139
CPC E21B 10/48; E21B 29/00; E21B 29/06
See application file for complete search history.

(56) **References Cited**
U.S. PATENT DOCUMENTS
4,660,890 A * 4/1987 Mills E21C 35/18
29/520
4,823,454 A * 4/1989 Mills E21C 35/18
29/437
4,932,723 A * 6/1990 Mills E21C 35/183
299/104
6,196,636 B1 * 3/2001 Mills E21C 35/183
299/111
7,353,893 B1 4/2008 Hall et al.
7,384,105 B2 6/2008 Hall et al.
7,469,756 B2 12/2008 Hall et al.
7,665,552 B2 2/2010 Hall et al.
7,669,674 B2 3/2010 Hall et al.
7,740,414 B2 6/2010 Hall et al.

OTHER PUBLICATIONS

Kennametal Inc., "Road King Extreme—Introducing the Next General High-Performance Road Milling Tool—Kennametal Road King Extreme," 2017, 1 page.

* cited by examiner

Primary Examiner — Michael C Stout
Assistant Examiner — Fritzgerald L Butac
(74) *Attorney, Agent, or Firm* — Boardman & Clark LLP

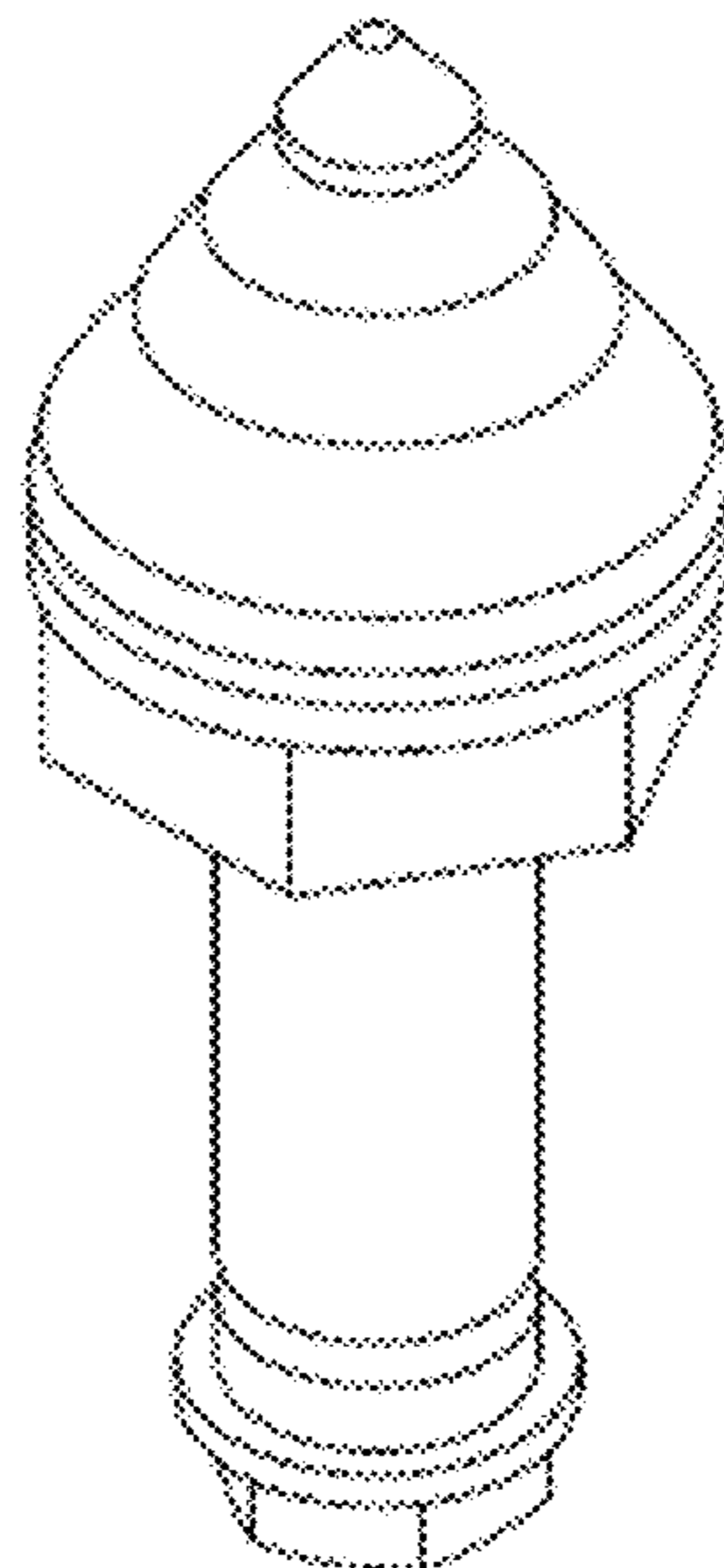
(57) **CLAIM**

The ornamental design for a milling bit, as shown and described.

DESCRIPTION

FIG. 1 is a perspective view of a milling bit, according to the new design;
FIG. 2 is a front elevation view thereof;
FIG. 3 is a side elevation view thereof;
FIG. 4 is a rear elevation view thereof;
FIG. 5 is a top plan view thereof; and,
FIG. 6 is a bottom plan view thereof.
The broken lines show portions of the milling bit which form no part of the claimed design.

1 Claim, 1 Drawing Sheet



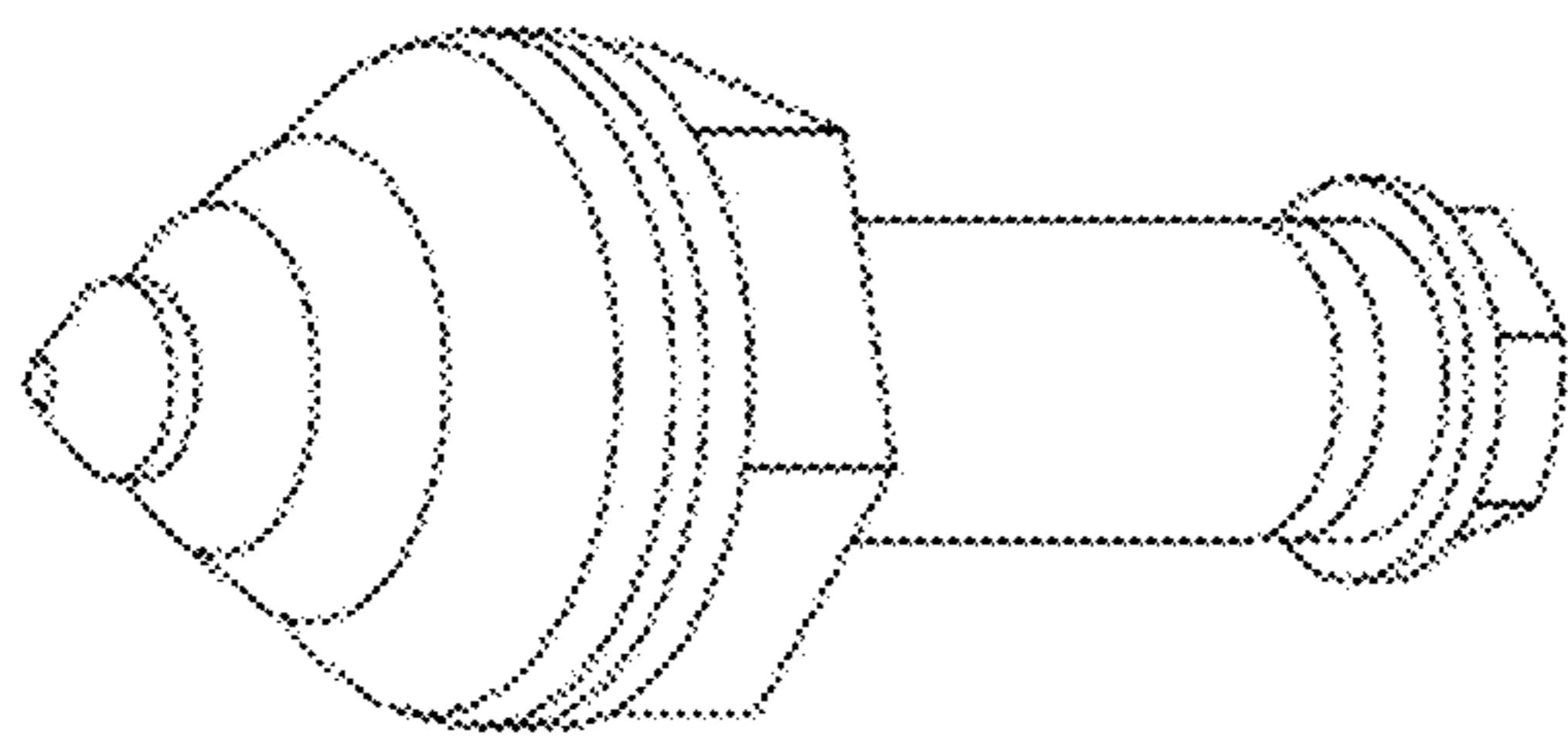


FIG. 1

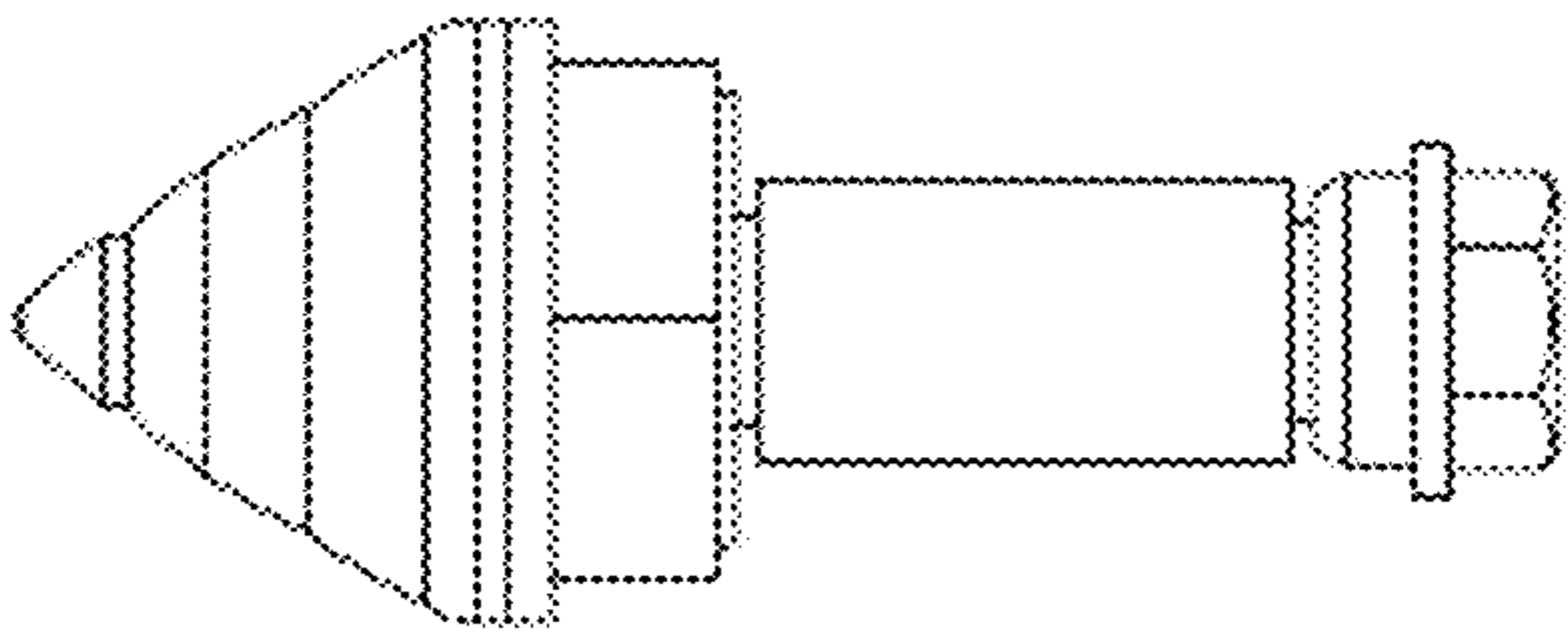


FIG. 2

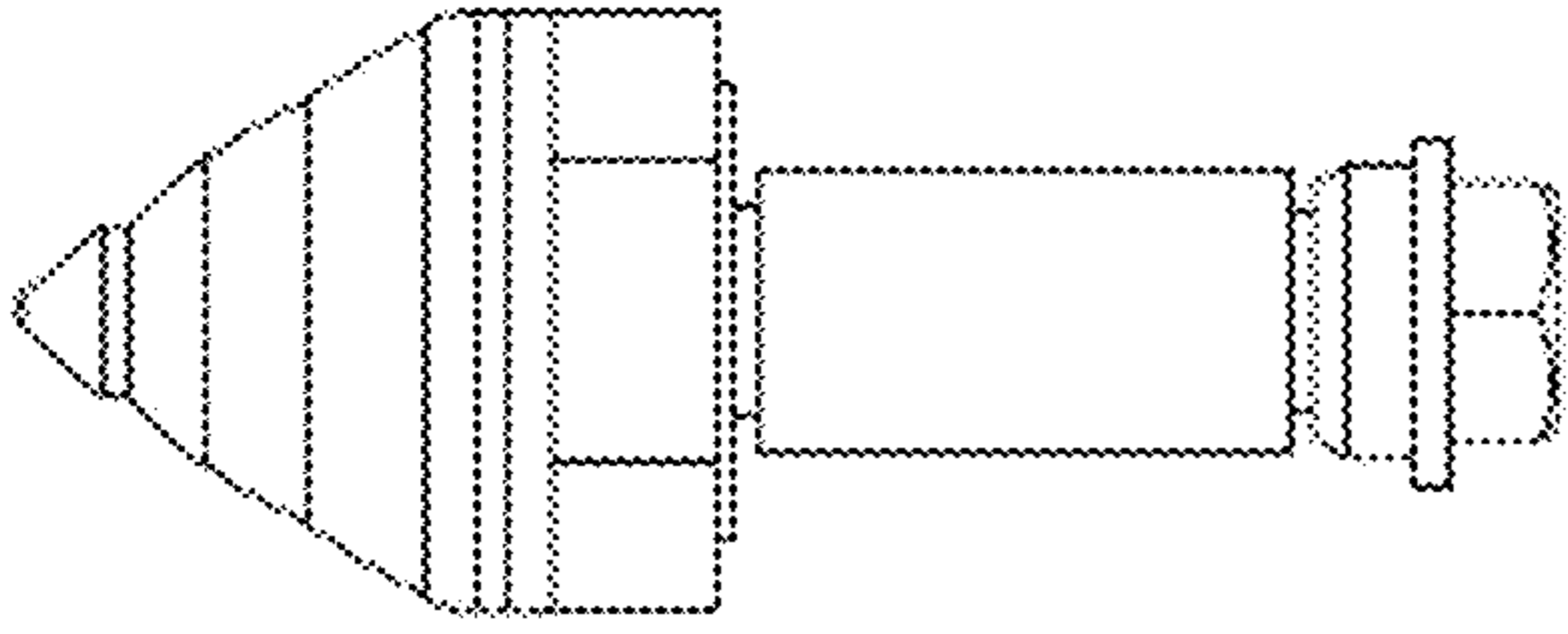


FIG. 3

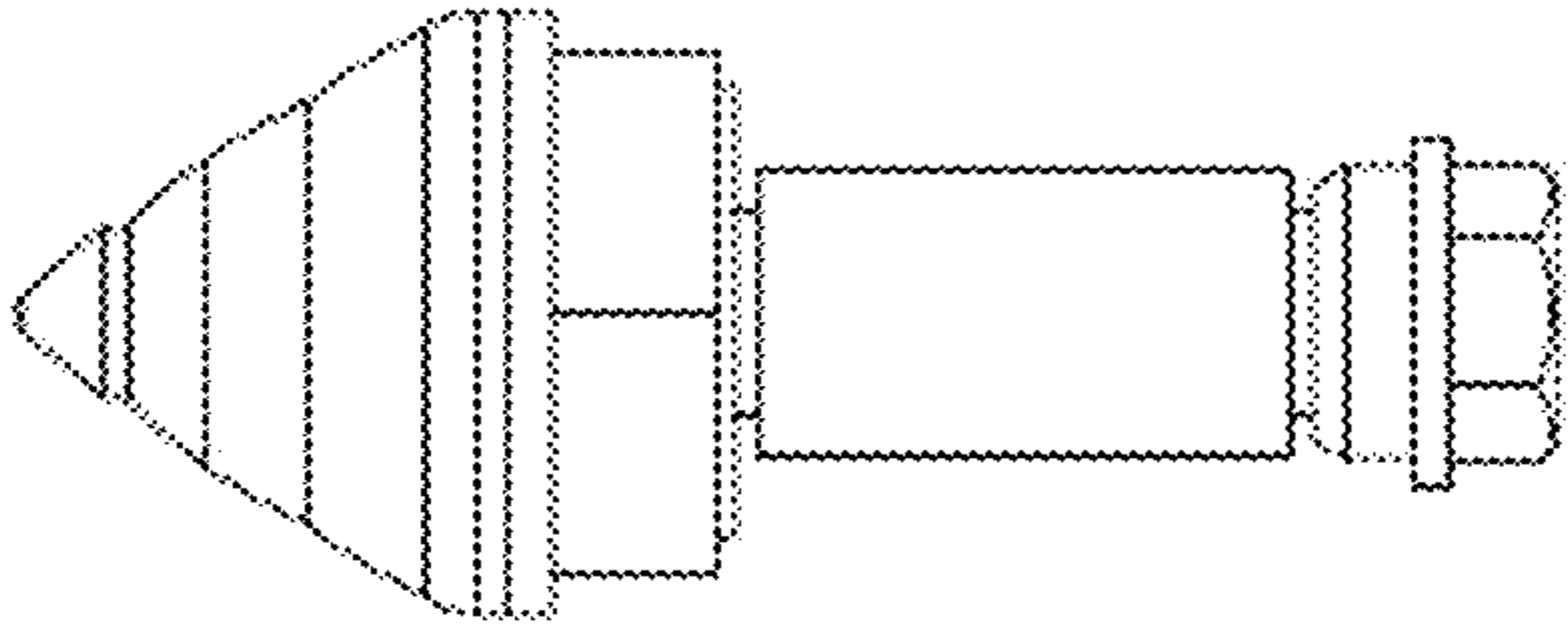


FIG. 4

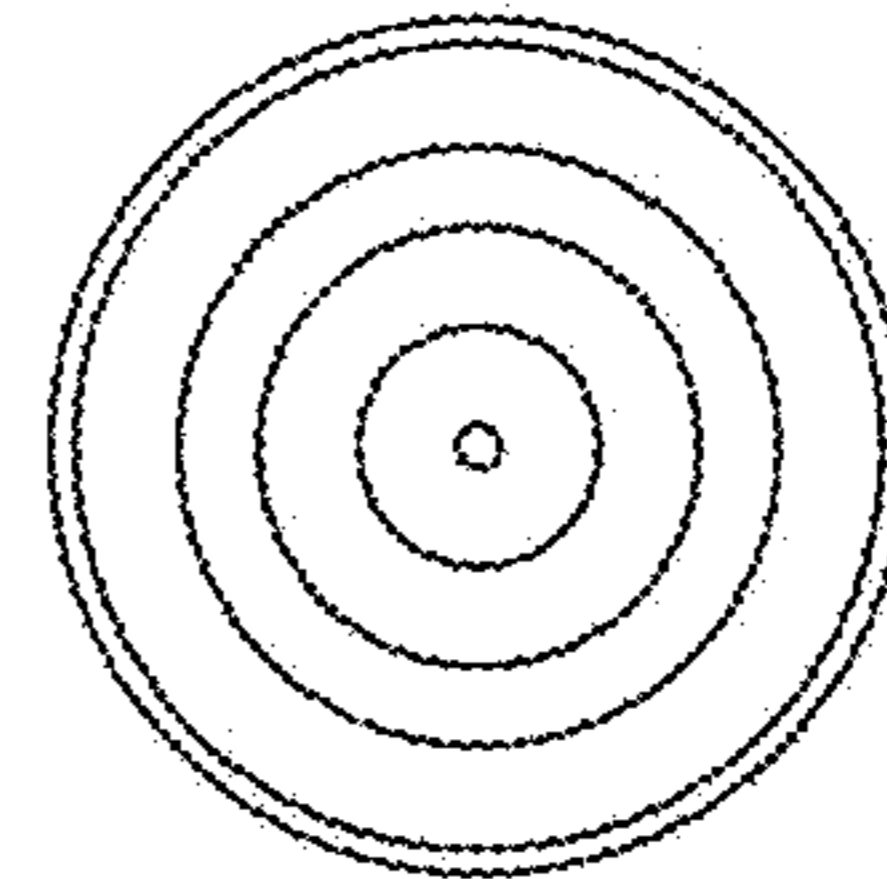


FIG. 5

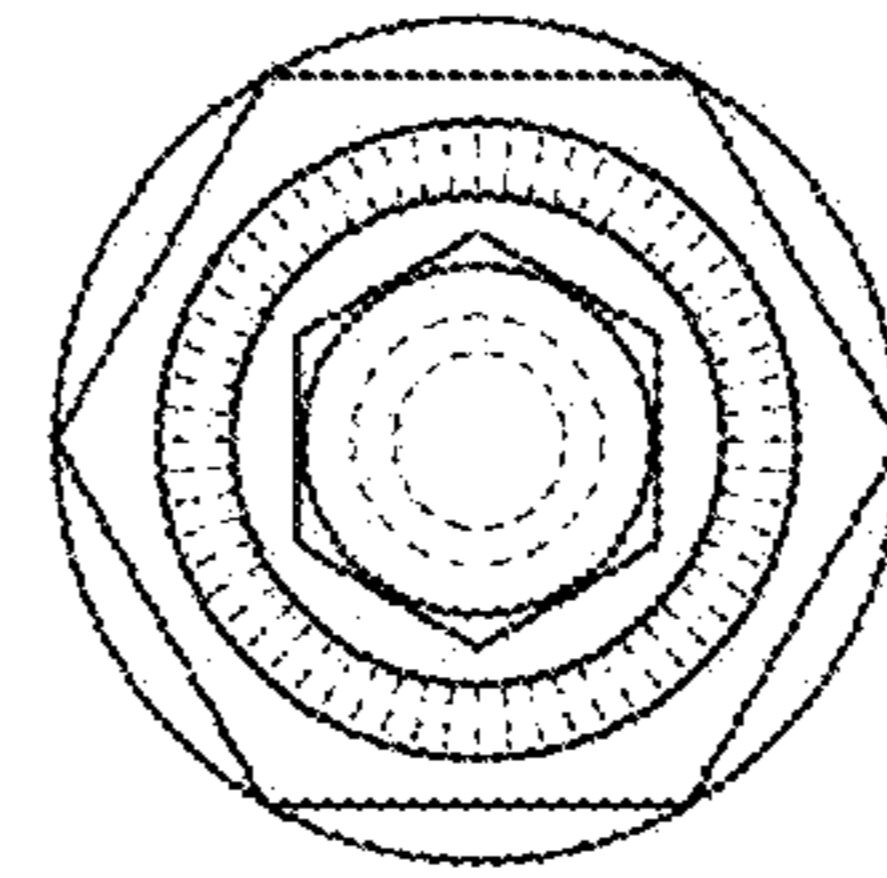


FIG. 6