



US00D959516S

(12) **United States Design Patent**
Mustafa et al.

(10) **Patent No.:** **US D959,516 S**
(45) **Date of Patent:** **** Aug. 2, 2022**

- (54) **COMPRESSION FITTING**
- (71) Applicant: **Applied Materials, Inc.**, Santa Clara, CA (US)
- (72) Inventors: **Muhannad Mustafa**, Milpitas, CA (US); **Muhammad M. Rasheed**, San Jose, CA (US)
- (73) Assignee: **APPLIED MATERIALS, INC.**, Santa Clara, CA (US)

4,784,412 A 11/1988 Van Dongen
 4,810,010 A 3/1989 Jones
 4,924,569 A 5/1990 Kennedy
 (Continued)

FOREIGN PATENT DOCUMENTS

CA 2357780 A1 * 3/2002 F16L 19/08
 CN 301666113 S 9/2011
 (Continued)

OTHER PUBLICATIONS

Non-Final Office Action in U.S. Appl. No. 16/750,595, dated Sep. 10, 2021, 11 pages.

Primary Examiner — Patricia A Palasik
 (74) *Attorney, Agent, or Firm* — Servilla Whitney LLC

- (**) Term: **15 Years**
- (21) Appl. No.: **29/739,304**
- (22) Filed: **Jun. 24, 2020**

Related U.S. Application Data

- (63) Continuation of application No. 16/750,595, filed on Jan. 23, 2020.
- (51) **LOC (13) Cl.** **15-09**
- (52) **U.S. Cl.**
USPC **D15/138**
- (58) **Field of Classification Search**
USPC D8/2, 54; D15/7, 9, 138, 150, 151, 152
CPC .. B67D 7/60; B67D 7/0205; Y10T 137/86099
See application file for complete search history.

(57) **CLAIM**

The ornamental design for a compression fitting, substantially as shown and described.

DESCRIPTION

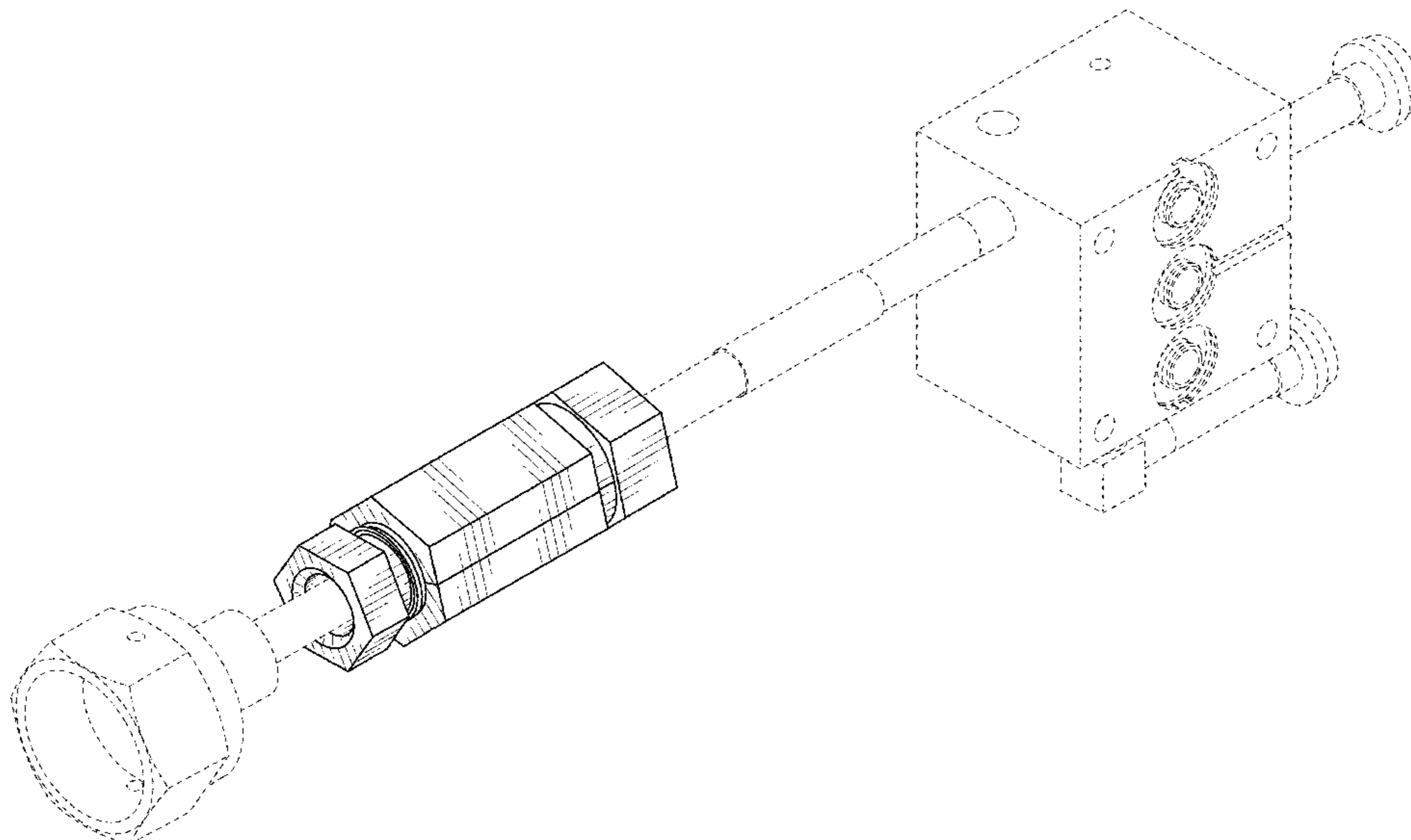
FIG. 1 is a top-front isometric view of a compression fitting with additional disclaimed environment;
 FIG. 2 is a front view of the compression fitting of FIG. 1;
 FIG. 3 is a rear view of the compression fitting of FIG. 1;
 FIG. 4 is a left side view of the compression fitting of FIG. 1;
 FIG. 5 is a right side view of the compression fitting of FIG. 1;
 FIG. 6 is a top view of the compression fitting of FIG. 1;
 FIG. 7 is a bottom view of the compression fitting of FIG. 1; and,
 FIG. 8 is an exploded view of the compression fitting of FIG. 1.
 Portions of the article shown in dotted lines form no part of the claimed design.

(56) **References Cited**

U.S. PATENT DOCUMENTS

473,462 A	4/1892	Hogan	
932,805 A	8/1909	McLaughlin	
1,244,100 A	10/1917	Kortas	
2,366,341 A	1/1945	Lappin	
3,428,337 A	2/1969	Read	
3,689,110 A	9/1972	Ferguson	
4,022,499 A *	5/1977	Holmes F16L 19/08 285/328
D262,181 S *	12/1981	Hardy D23/262
4,728,130 A	3/1988	Corzine	

1 Claim, 5 Drawing Sheets



(56)

References Cited

U.S. PATENT DOCUMENTS

5,022,684 A 6/1991 Eagon
 5,088,771 A 2/1992 Hosseinian et al.
 5,226,678 A 7/1993 Petranto
 5,636,876 A 6/1997 Eidsmore
 5,887,876 A * 3/1999 Aldridge F16L 19/0218
 277/609
 6,318,766 B1 11/2001 Babuder et al.
 D506,115 S * 6/2005 King D8/54
 D539,906 S * 4/2007 White 604/180
 D641,069 S * 7/2011 Sabato D23/233
 D721,562 S 1/2015 Battenfeld
 2005/0104374 A1 * 5/2005 Steur F16L 33/226
 285/247
 2006/0169628 A1 * 8/2006 Loy B01L 3/565
 210/198.2
 2008/0136175 A1 * 6/2008 Hansen F16L 19/065
 285/245

2009/0230678 A1 * 9/2009 Krohn F16L 25/14
 285/354
 2012/0174895 A1 7/2012 Rabhi
 2014/0028020 A1 * 1/2014 Langer F01D 17/085
 285/353
 2018/0155826 A1 6/2018 Khan
 2019/0390337 A1 * 12/2019 Mustafa H01L 21/68764
 2021/0231242 A1 * 7/2021 Mustafa F16L 19/0218

FOREIGN PATENT DOCUMENTS

CN 301994153 S 7/2012
 CN 303070790 S 1/2015
 CN 305237482 S 6/2019
 EP 0793047 A1 * 9/1997 F16L 13/141
 EP 0940620 A1 * 9/1999 F16L 33/2075
 EP 1154187 A3 * 2/2002 F16L 13/143
 EP 1865243 A1 * 12/2007 F16L 47/04
 WO WO-2015187958 A1 * 12/2015 F16L 19/103

* cited by examiner

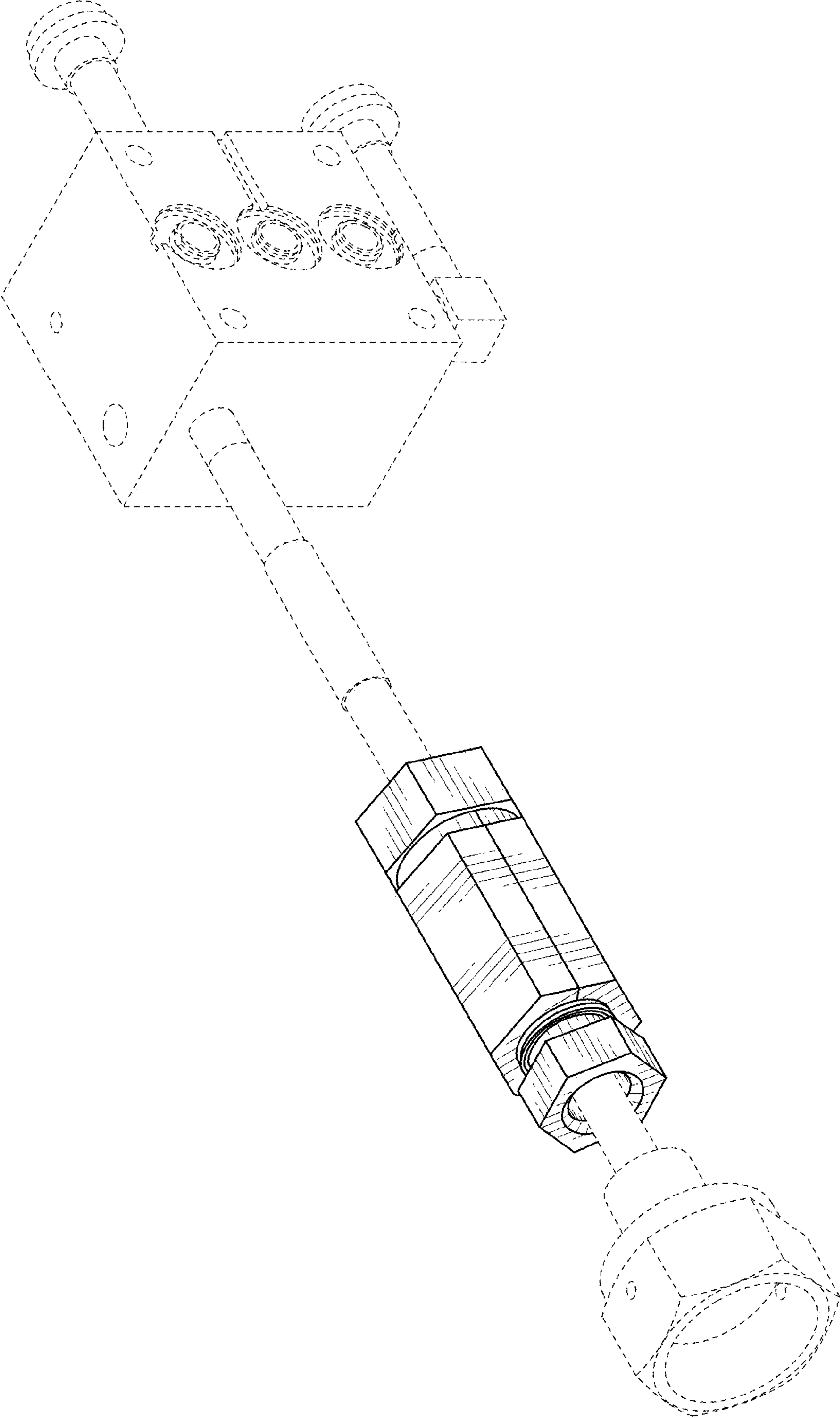


FIG. 1

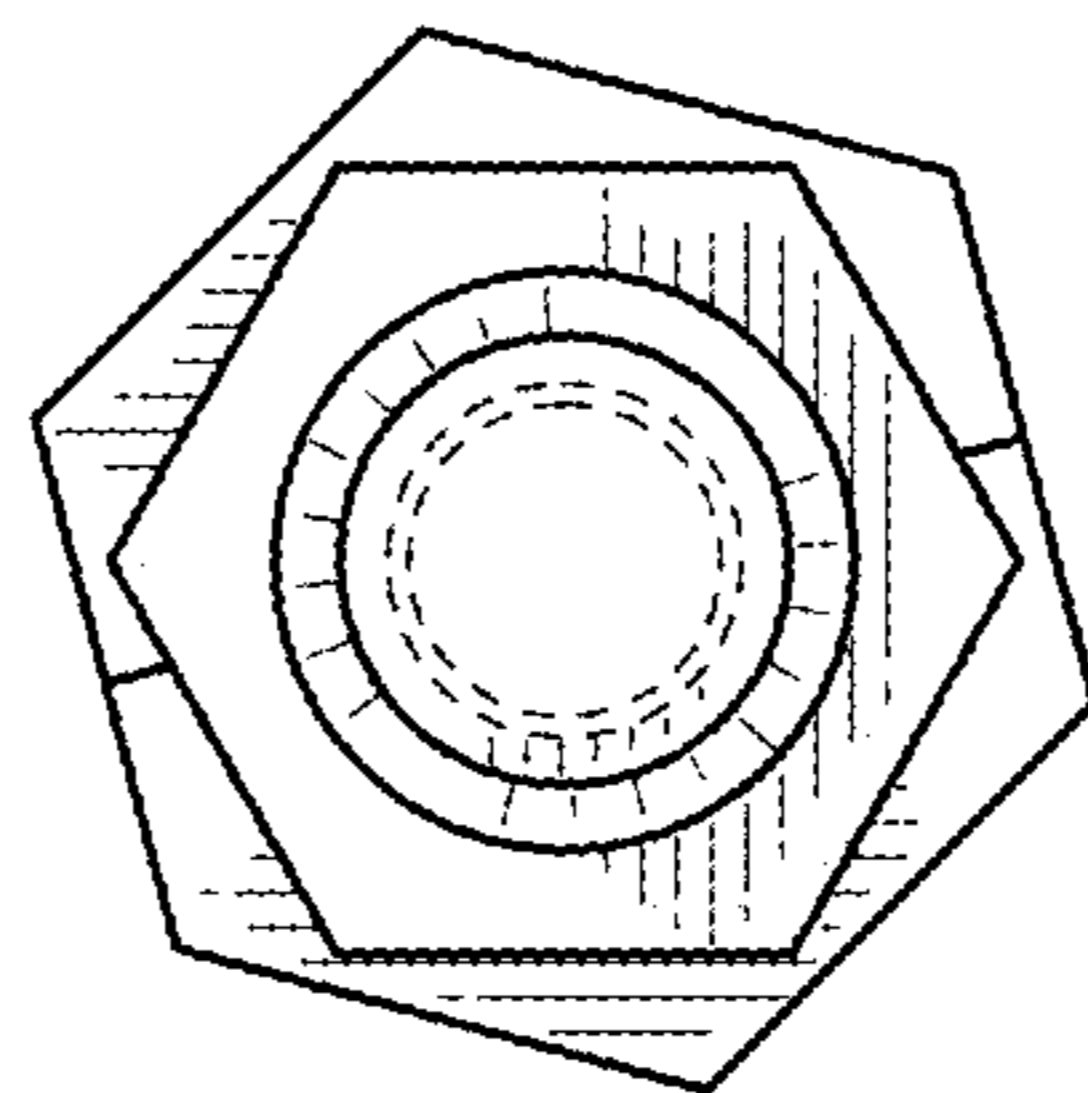


FIG. 2

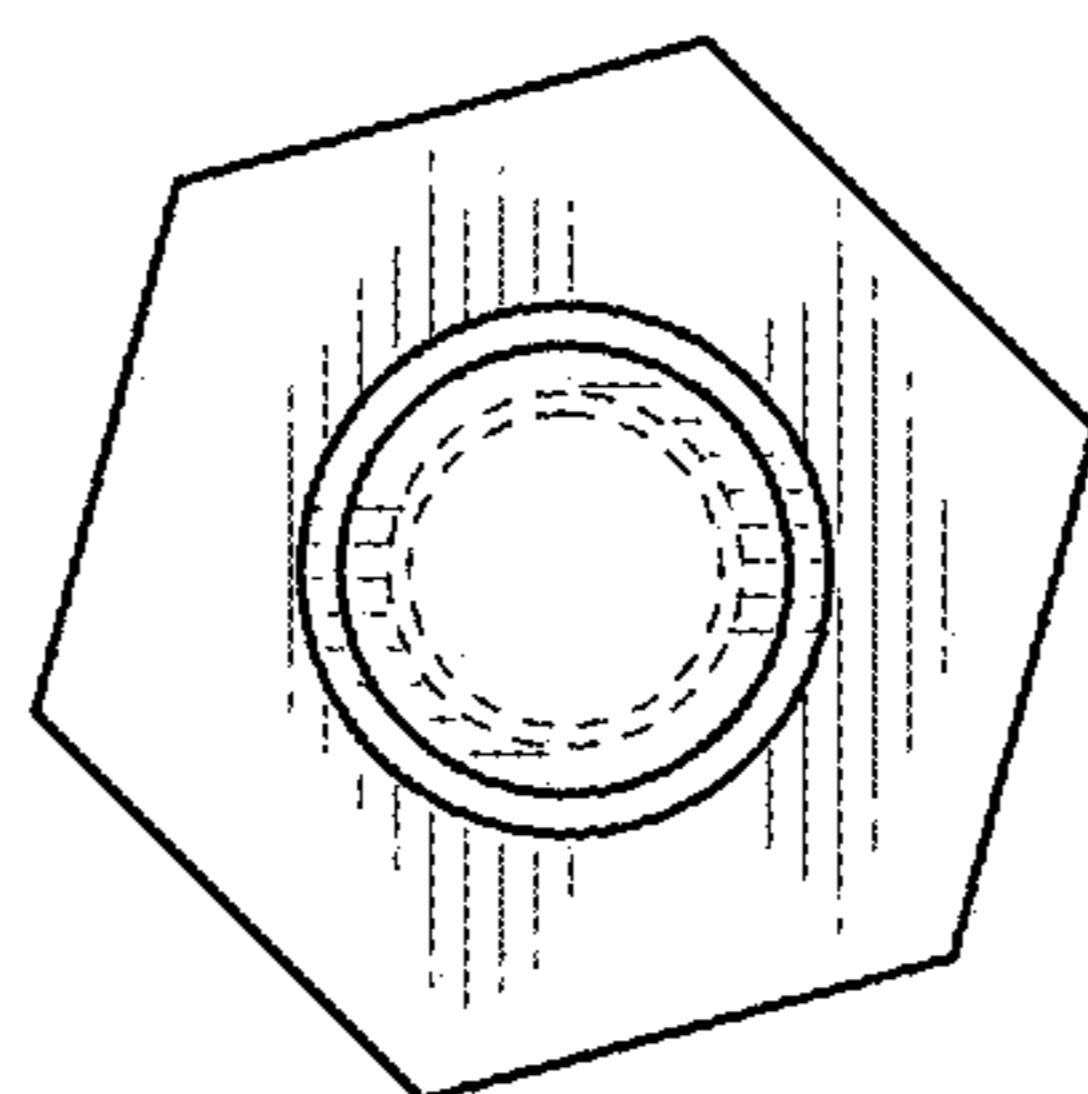


FIG. 3

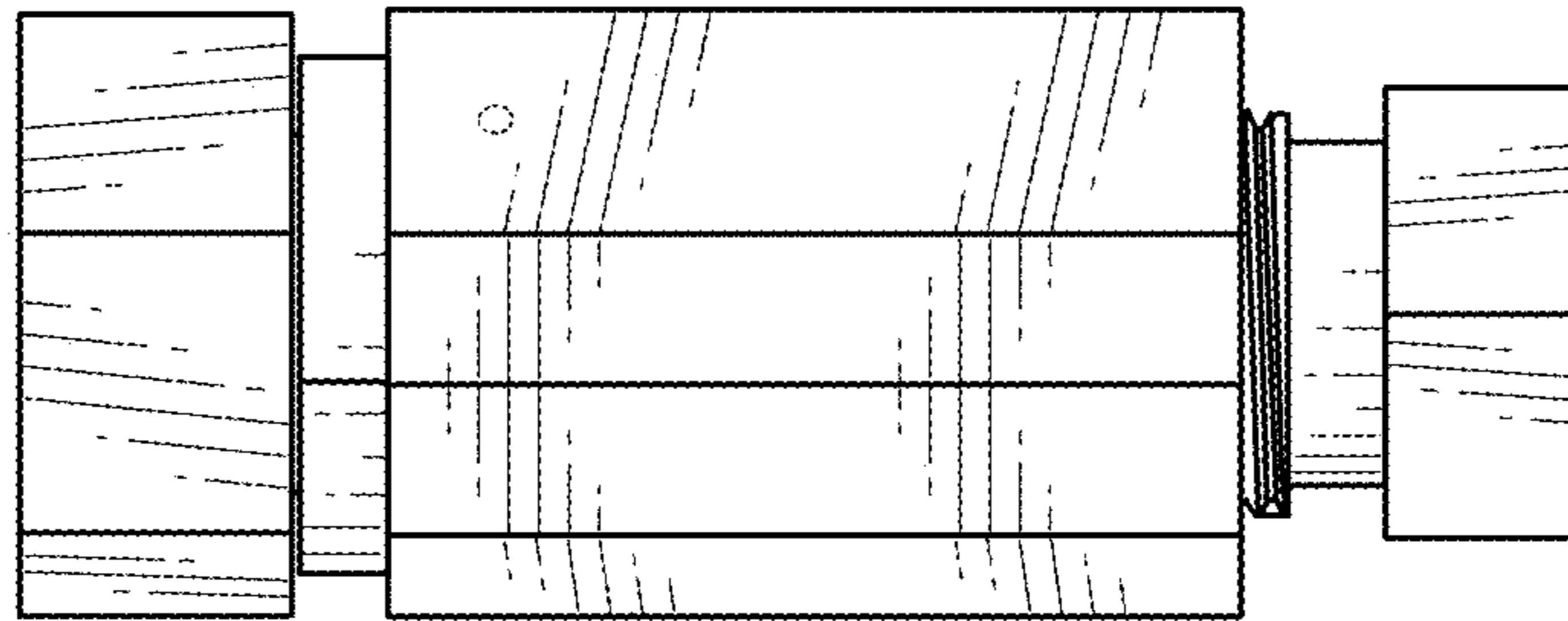


FIG. 4

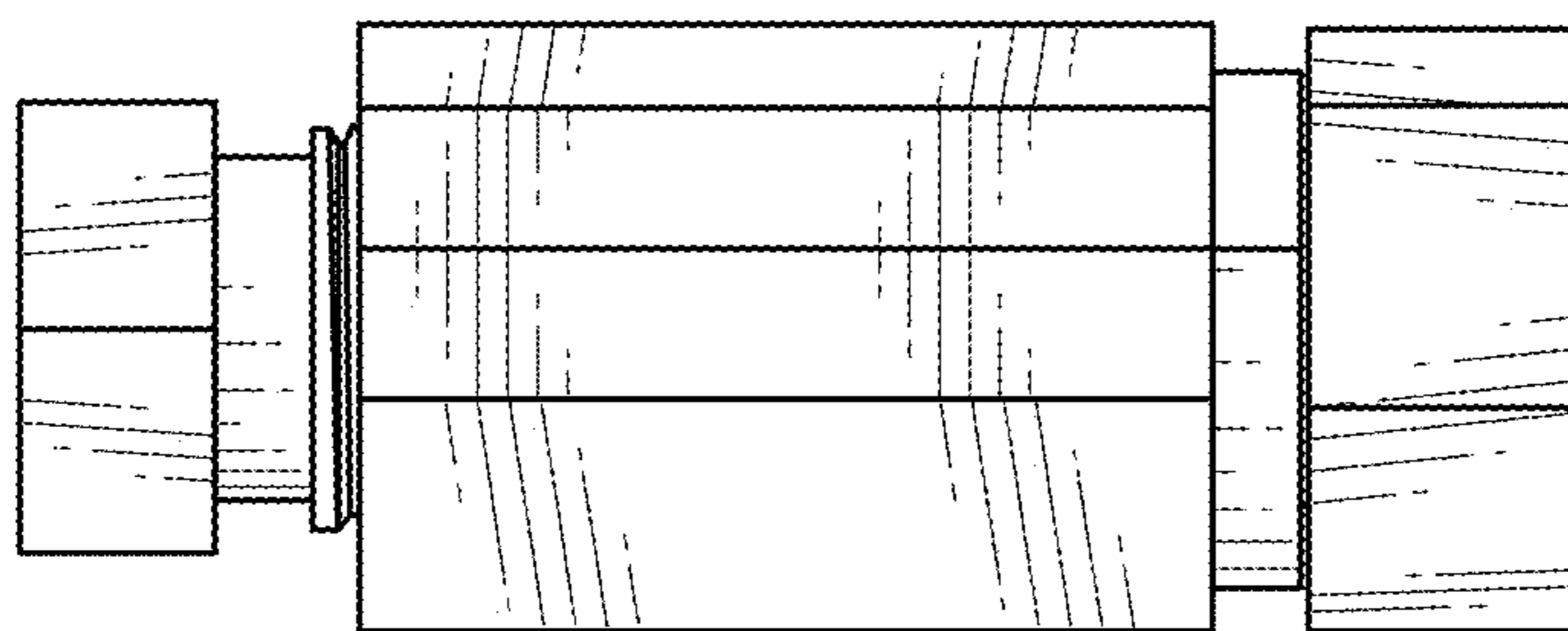


FIG. 5

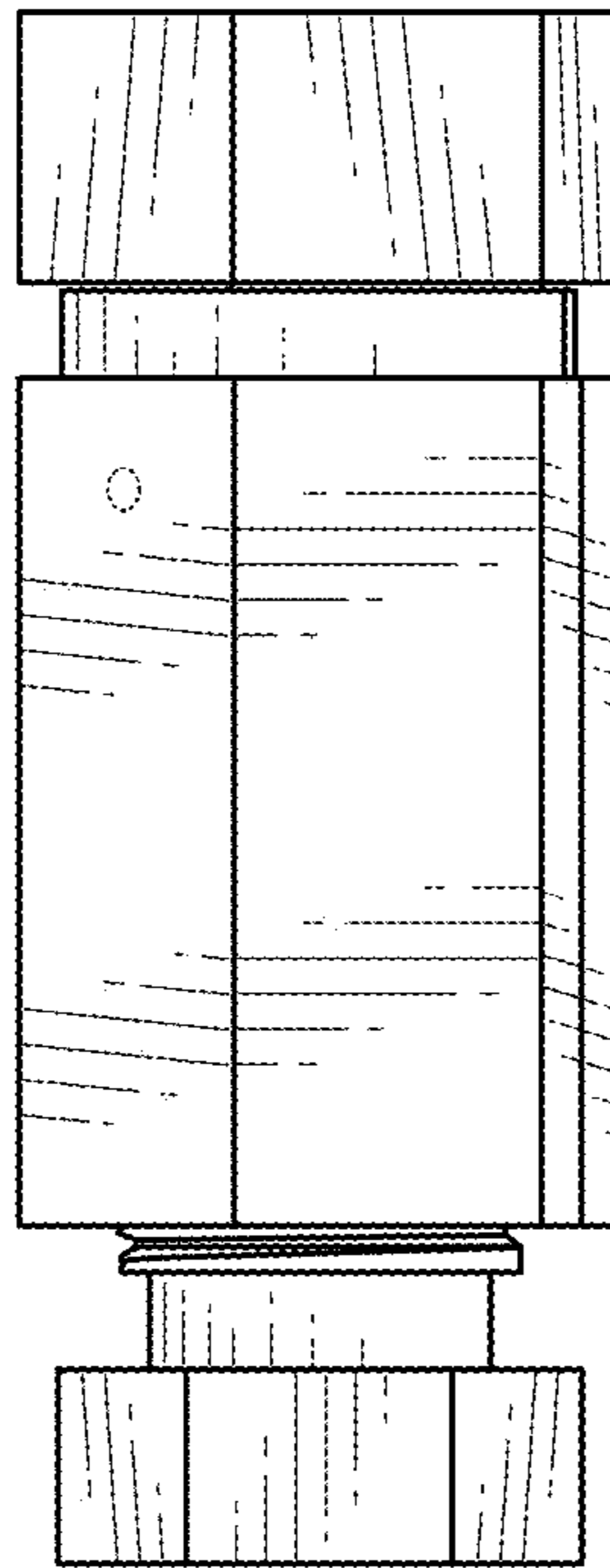


FIG. 6

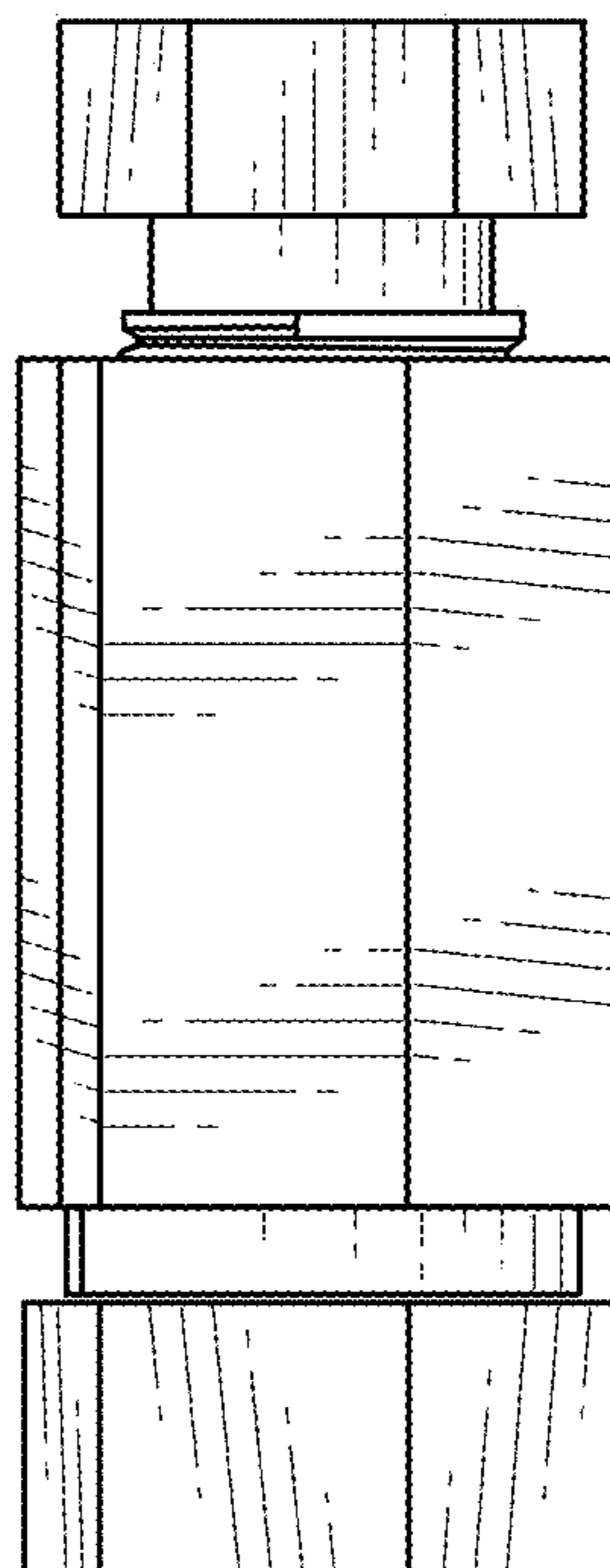


FIG. 7

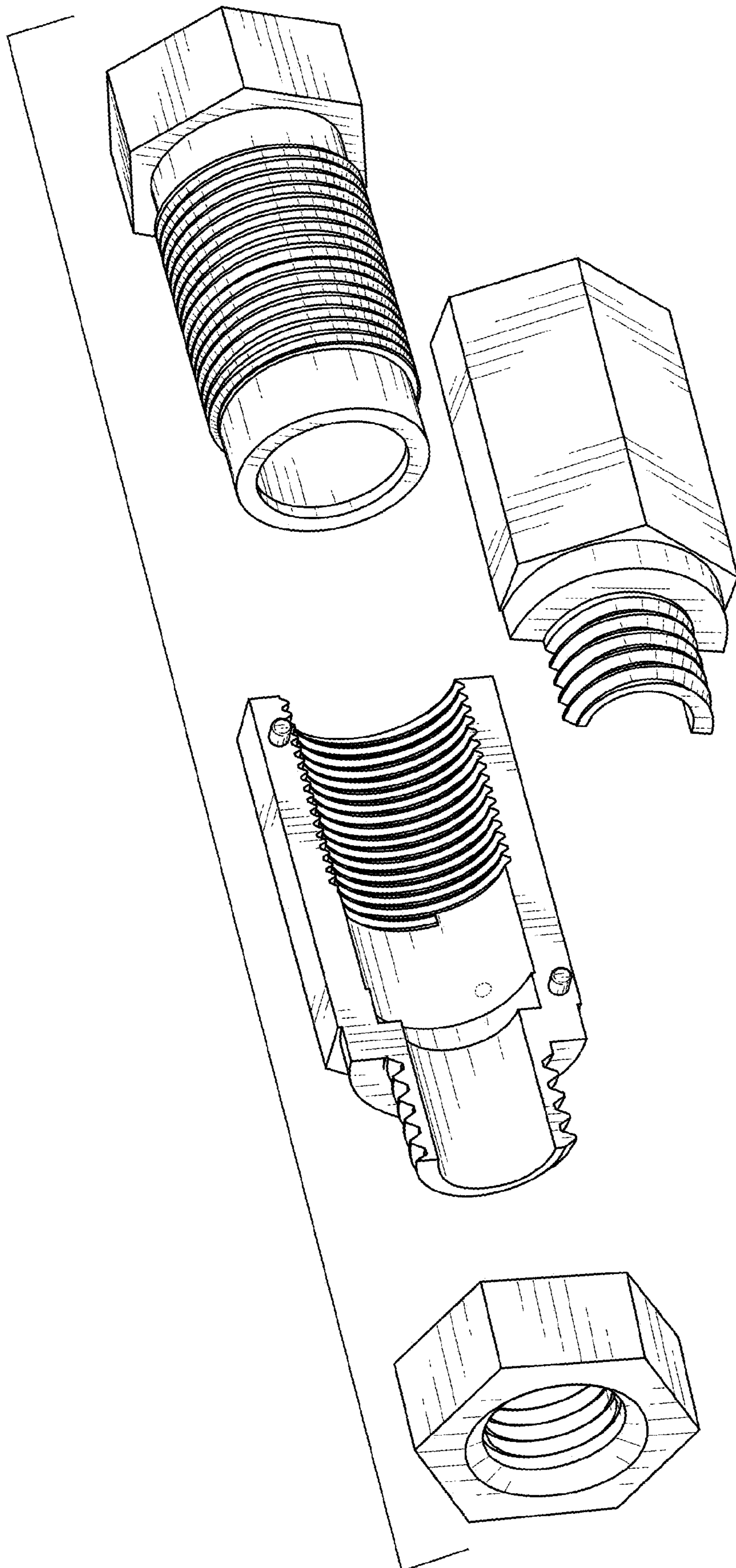


FIG. 8