



US00D959515S

(12) **United States Design Patent** (10) **Patent No.:** **US D959,515 S**  
**Xiao** (45) **Date of Patent:** **\*\* Aug. 2, 2022**

(54) **BATH BOMB MOLD**

(71) Applicant: **Naiwen Xiao**, Yantai (CN)

(72) Inventor: **Naiwen Xiao**, Yantai (CN)

(\*\*) Term: **15 Years**

(21) Appl. No.: **29/783,219**

(22) Filed: **May 12, 2021**

(51) **LOC (13) Cl.** ..... **15-09**

(52) **U.S. Cl.**

USPC ..... **D15/136; D28/8.1**

(58) **Field of Classification Search**

USPC ..... **D15/135-136; D28/8.1-8.2**

CPC ..... **C11D 13/14-18**

See application file for complete search history.

(56) **References Cited**

**U.S. PATENT DOCUMENTS**

3,836,308 A \* 9/1974 Upright ..... A63H 33/001

220/4.21

5,876,769 A \* 3/1999 Dowden ..... C11D 13/30

425/398

2019/0030553 A1 \* 1/2019 Timmerman ..... B05B 1/18

2022/0064034 A1 \* 3/2022 Dillow ..... A47K 3/001

**FOREIGN PATENT DOCUMENTS**

DE 202021003799 U1 \* 3/2022

JP 2006346351 A \* 12/2006

**OTHER PUBLICATIONS**

Bath Bomb Mold, [www.amazon.com](http://www.amazon.com), 1 page, available Jan. 2022  
[https://www.amazon.com/Hand-Press-Sphere-Crafting-Pieces-Combination/dp/B09Q8HLT7P/ref=pd\\_lpo\\_2?pd\\_rd\\_i=B09Q8HLT7P&psc=1](https://www.amazon.com/Hand-Press-Sphere-Crafting-Pieces-Combination/dp/B09Q8HLT7P/ref=pd_lpo_2?pd_rd_i=B09Q8HLT7P&psc=1) (Year: 2022).\*

“Kyerivs Metal Bath Bomb Mold 14 PCS(6 Hemispheres, 2 Starfish, 2 Heart, 2 Shell, 2 Scallop) with 100 Shrink Wrap Bags 6 Gift Bag and 1 Mini Heat Sealer for Bath Bombs Handmade Soaps & Cake”, Retrieved May 12, 2021]. Retrieved from Internet, <https://www.amazon.com/Kyerivs-Hemispheres-Starfish-Scallop-Handmade/dp/B076FNXRKF/ref>.

“ATPWONZ 30pcs 3 Size Bath Bomb Molds, 15 Set DIY Metal Mold & Bath Bombs Press for DIY Making Supplies”, Retrieved May 12, 2021]. Retrieved from Internet, <https://www.amazon.com/ATPWONZ-30pcs-Molds-Making-Supplies/dp/B089QNFYHY/ref>.

\* cited by examiner

*Primary Examiner* — Jennifer Rivard

(57) **CLAIM**

The ornamental design for a bath bomb mold, as shown and described.

**DESCRIPTION**

FIG. 1 is a perspective view of a bath bomb mold showing my new design;

FIG. 2 is another perspective view thereof;

FIG. 3 is a front elevational view thereof;

FIG. 4 is a rear elevational view thereof;

FIG. 5 is a left side elevational view thereof;

FIG. 6 is a right side elevational view thereof;

FIG. 7 is a top plan view thereof;

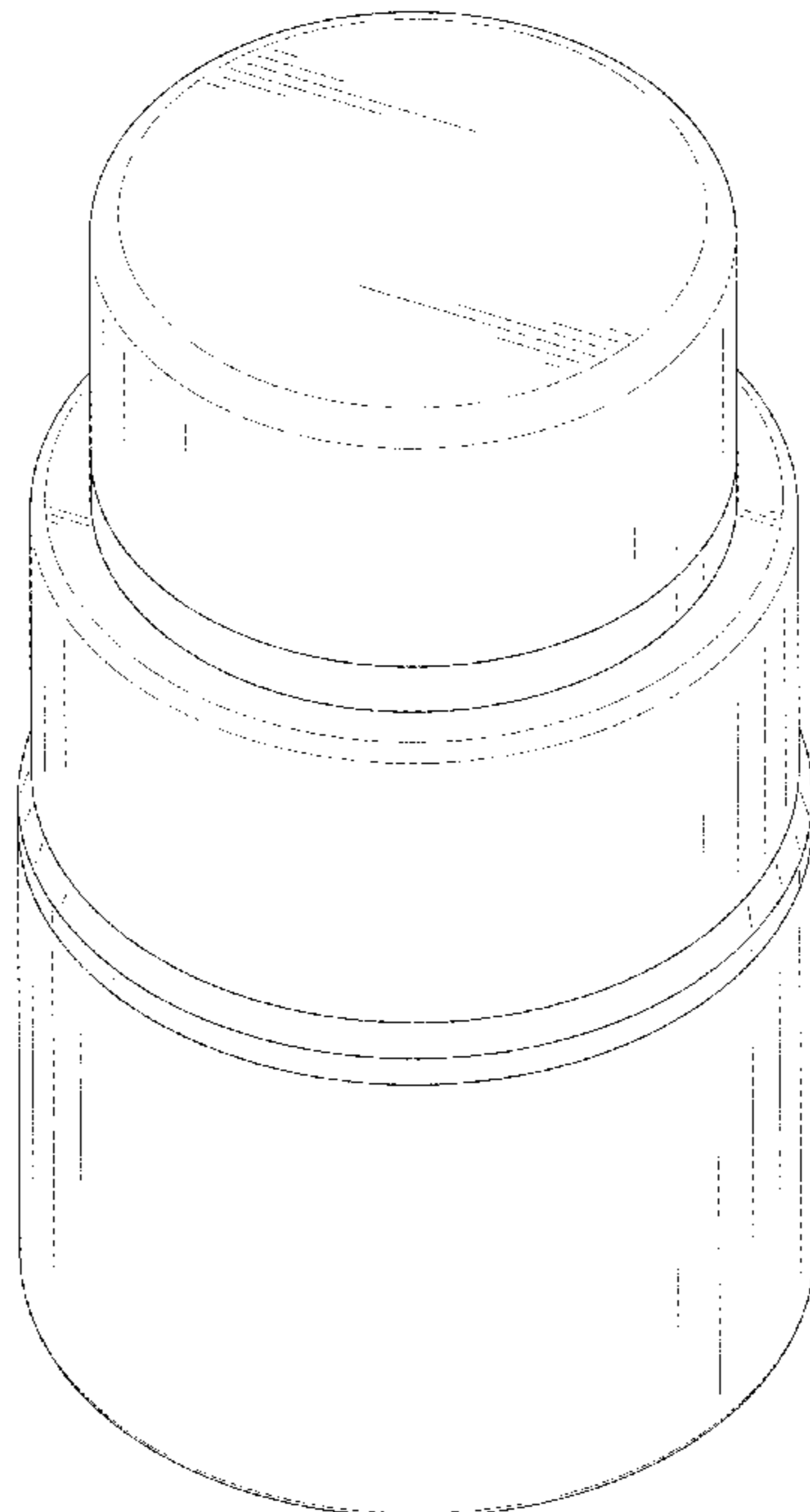
FIG. 8 is a bottom plan view thereof;

FIG. 9 is an exploded perspective view; and,

FIG. 10 is an exploded perspective view with bath bomb mold shown in an alternate configuration.

The broken lines in the drawings depict portions of the bath bomb mold that form no part of the claimed design.

**1 Claim, 10 Drawing Sheets**



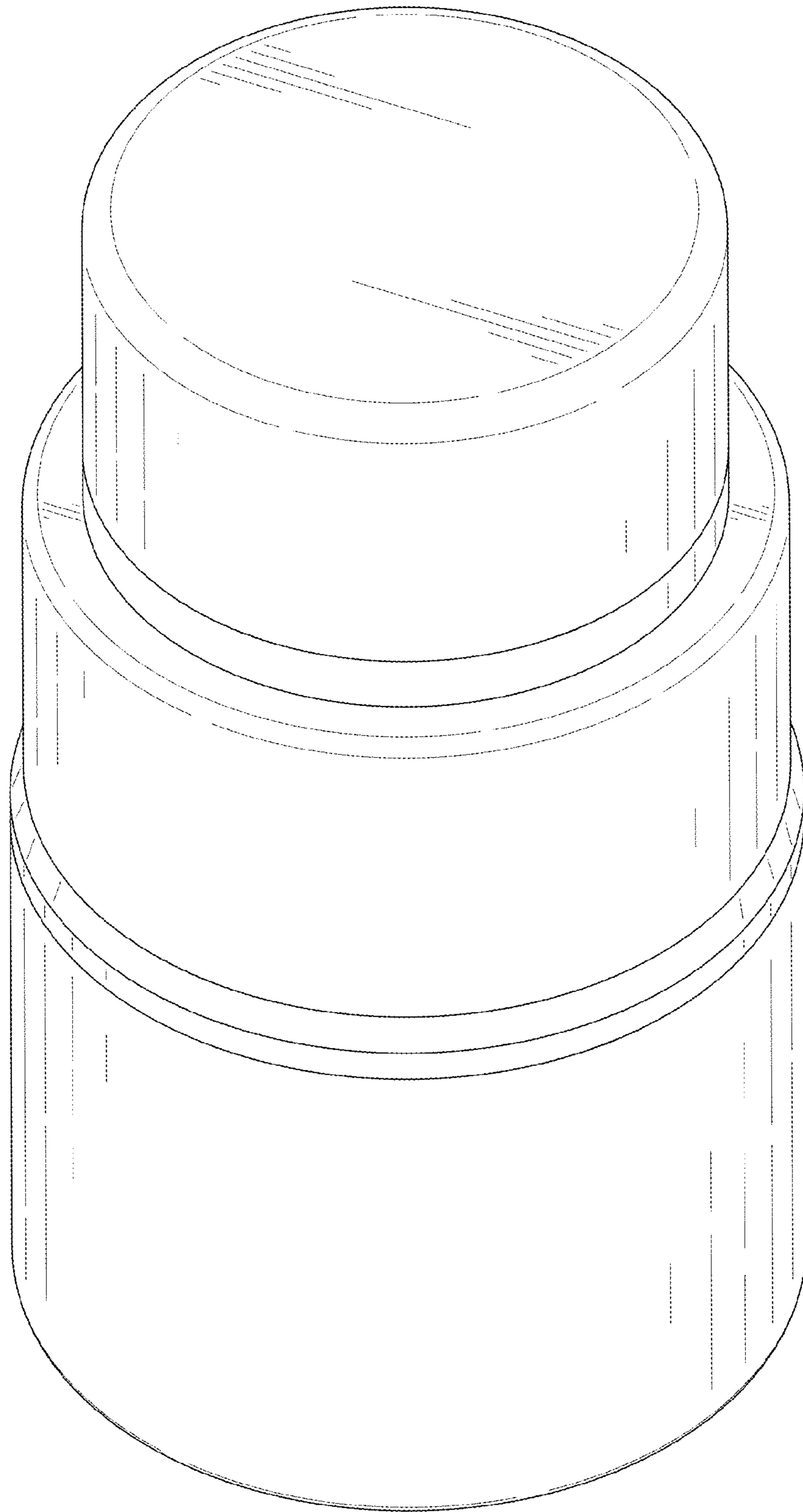


FIG. 1

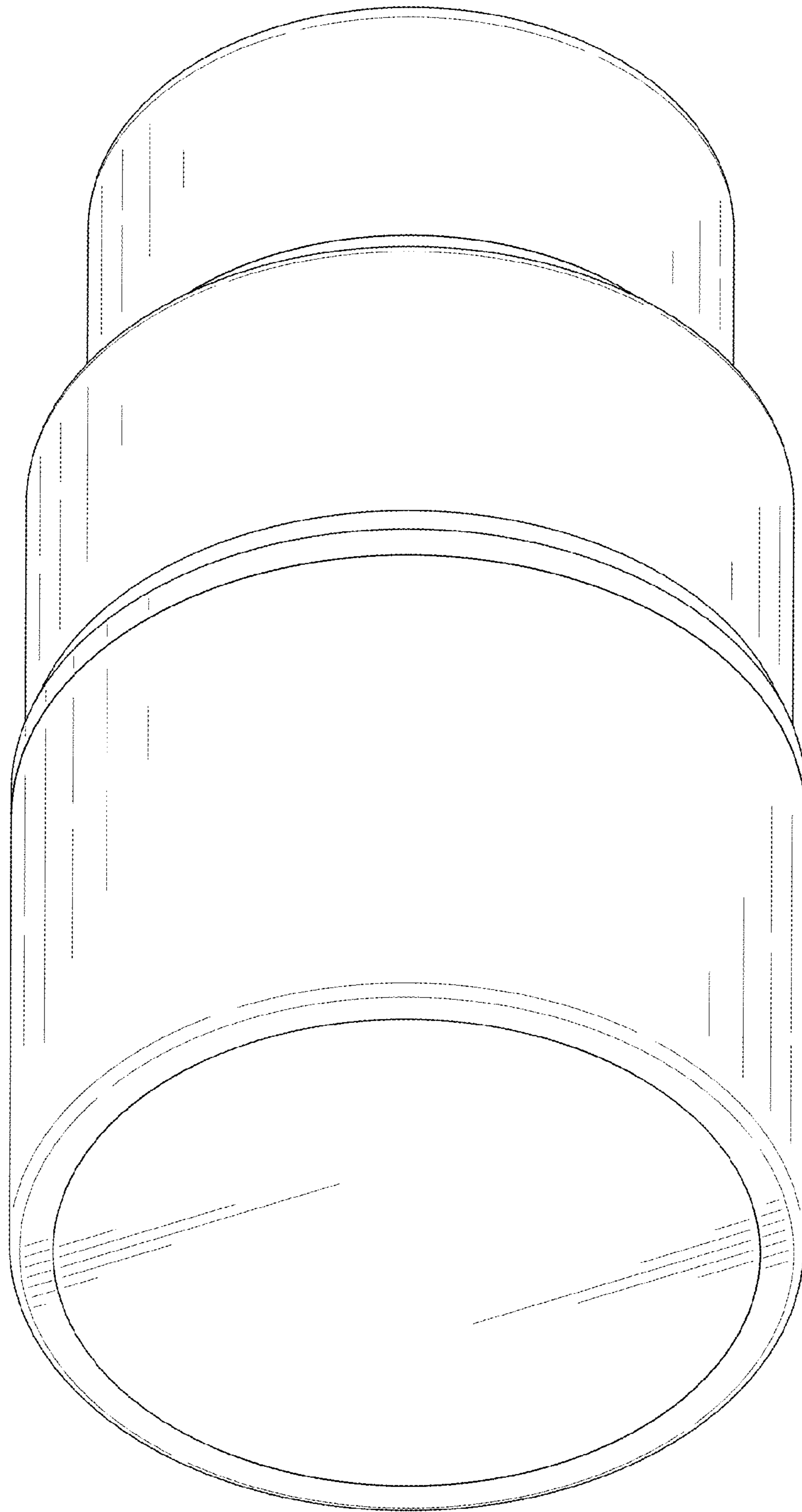


FIG. 2

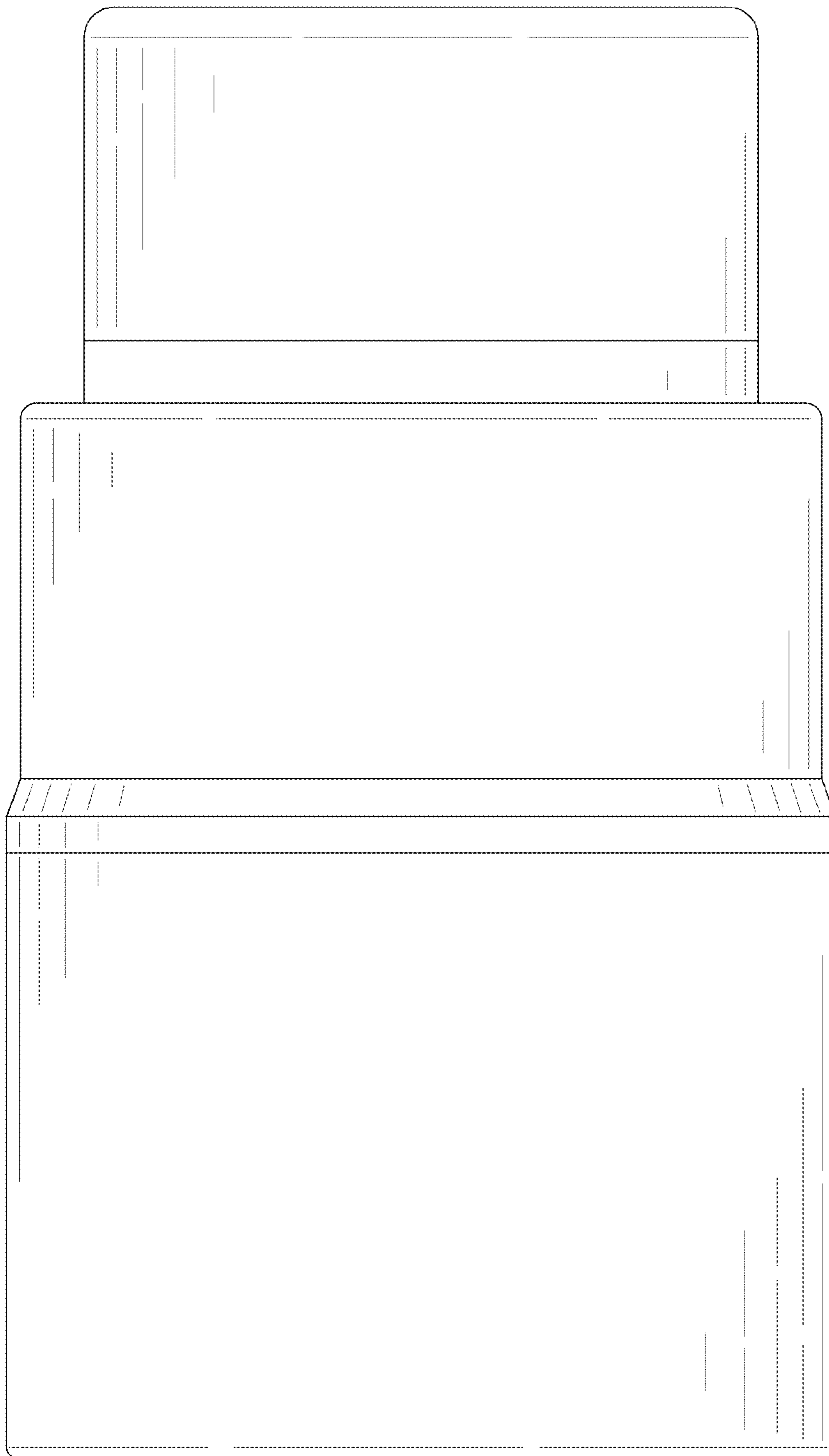


FIG. 3

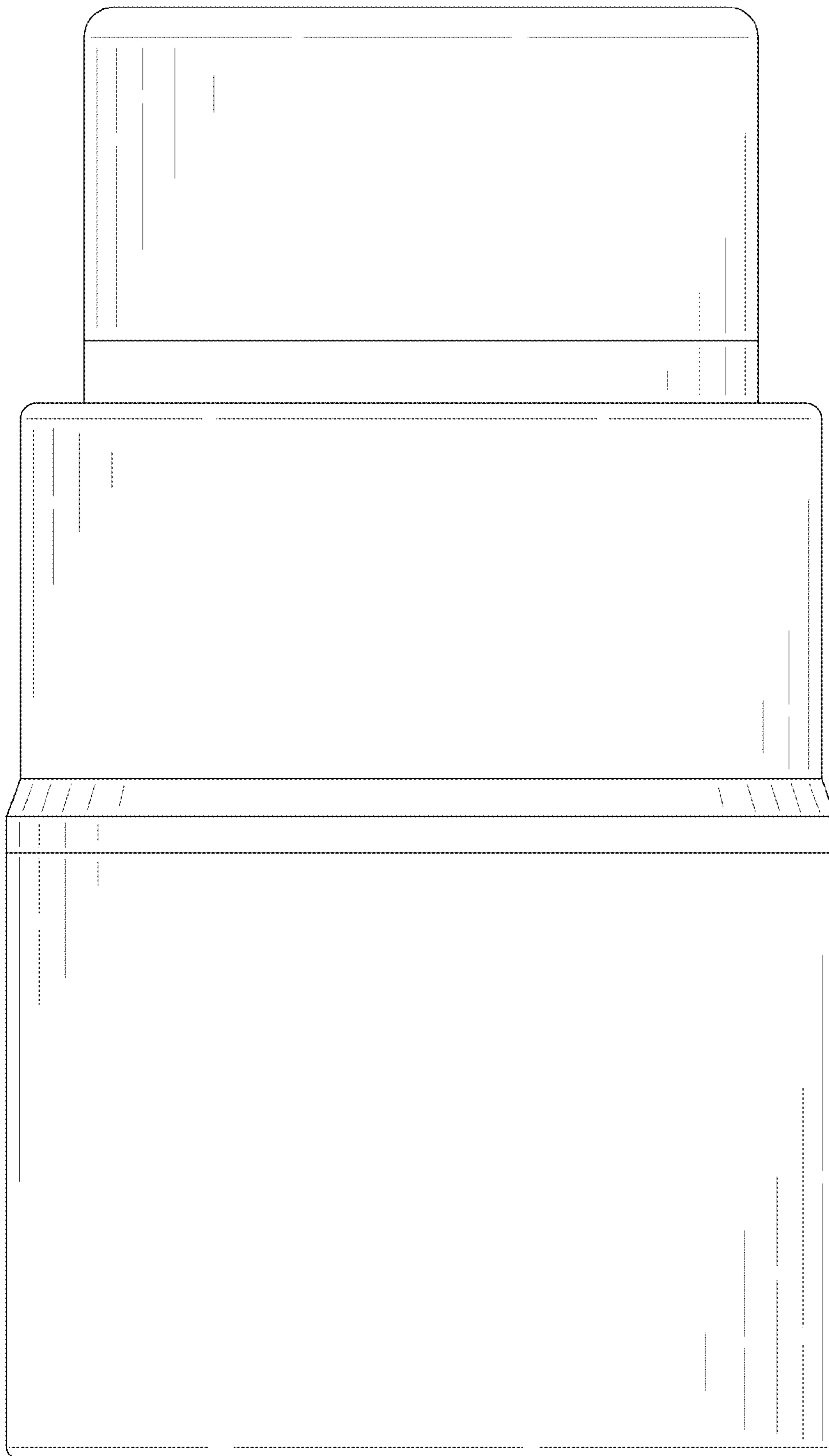


FIG. 4

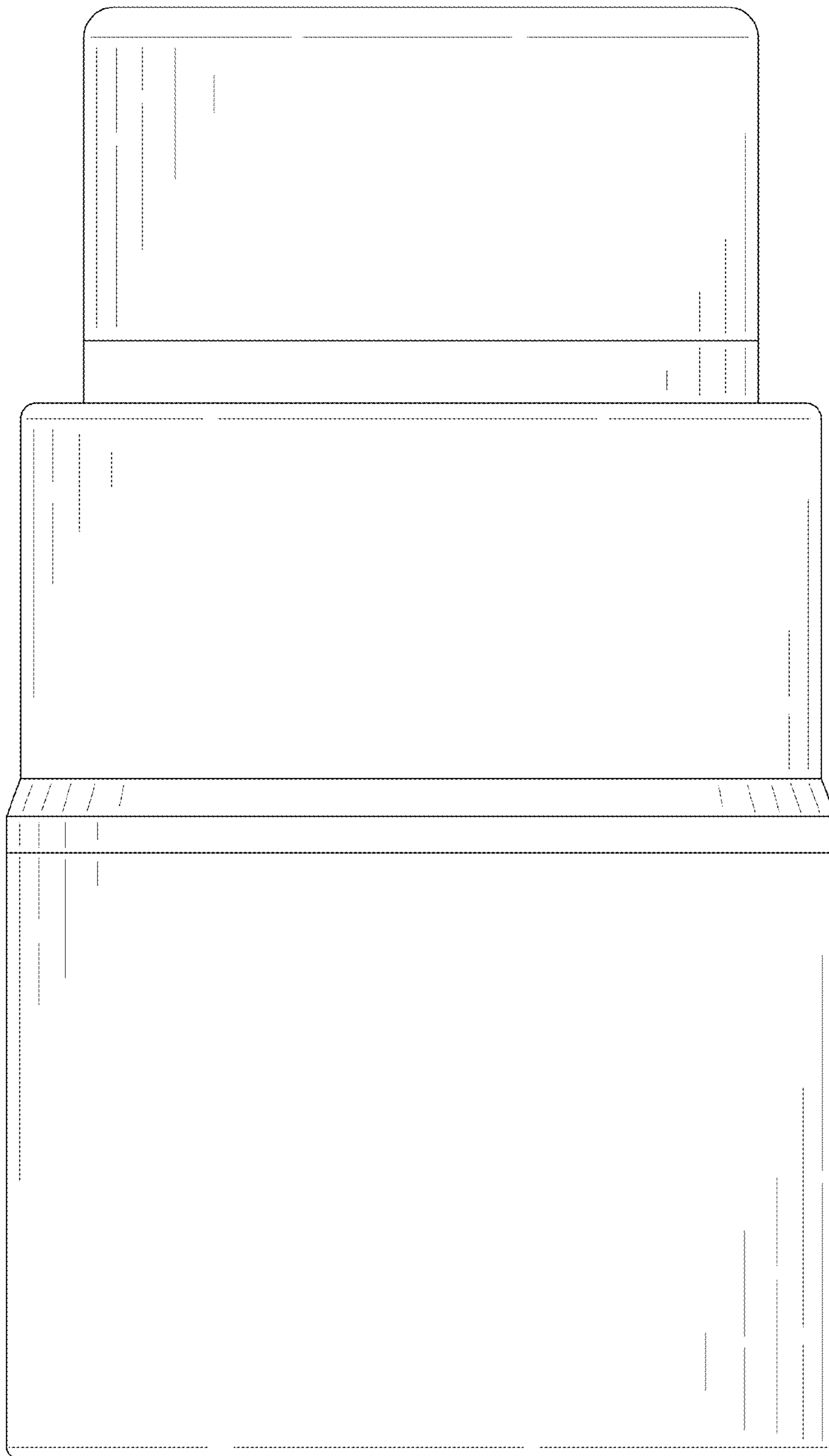


FIG. 5

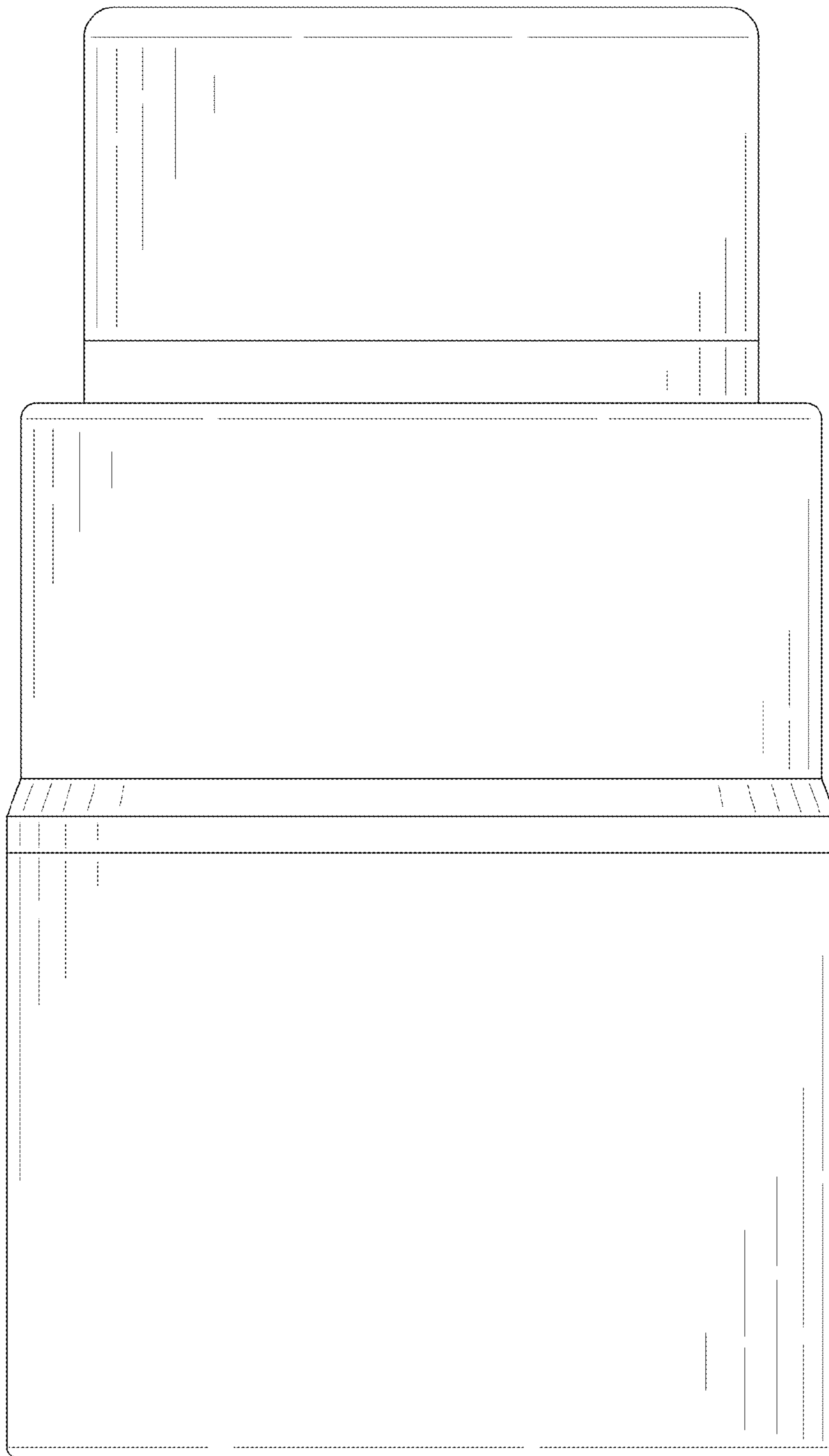


FIG. 6



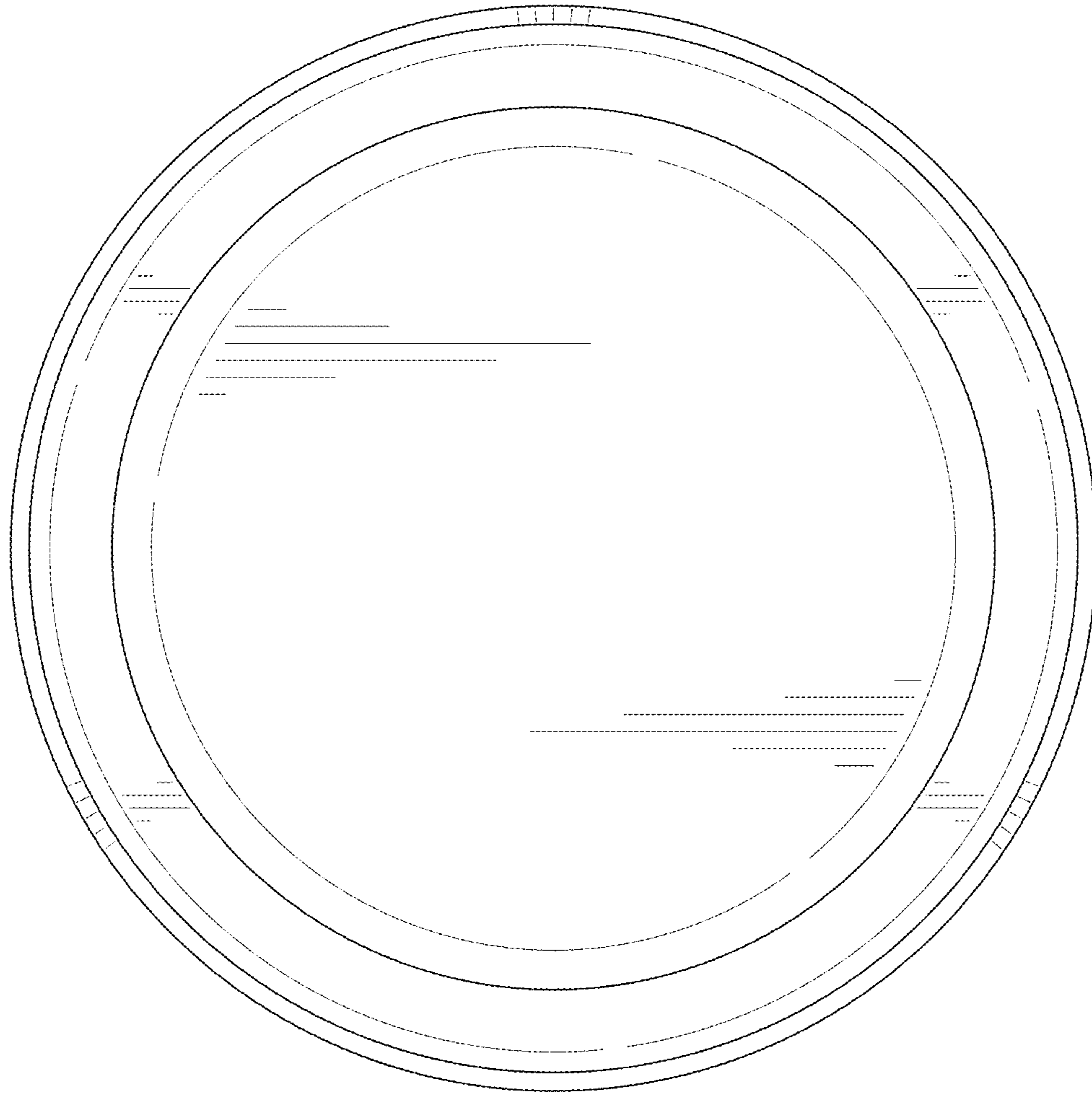


FIG. 7



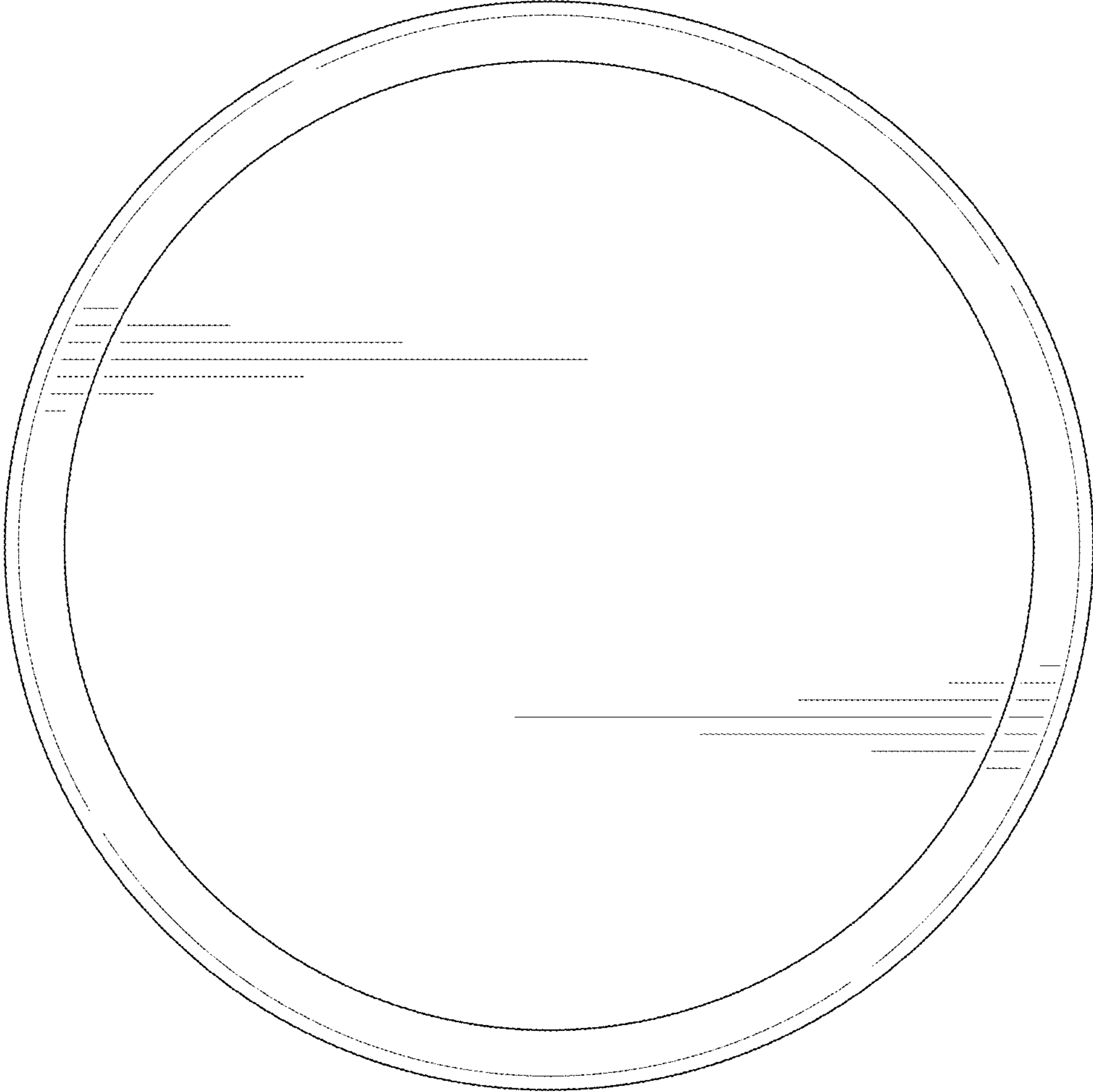


FIG. 8

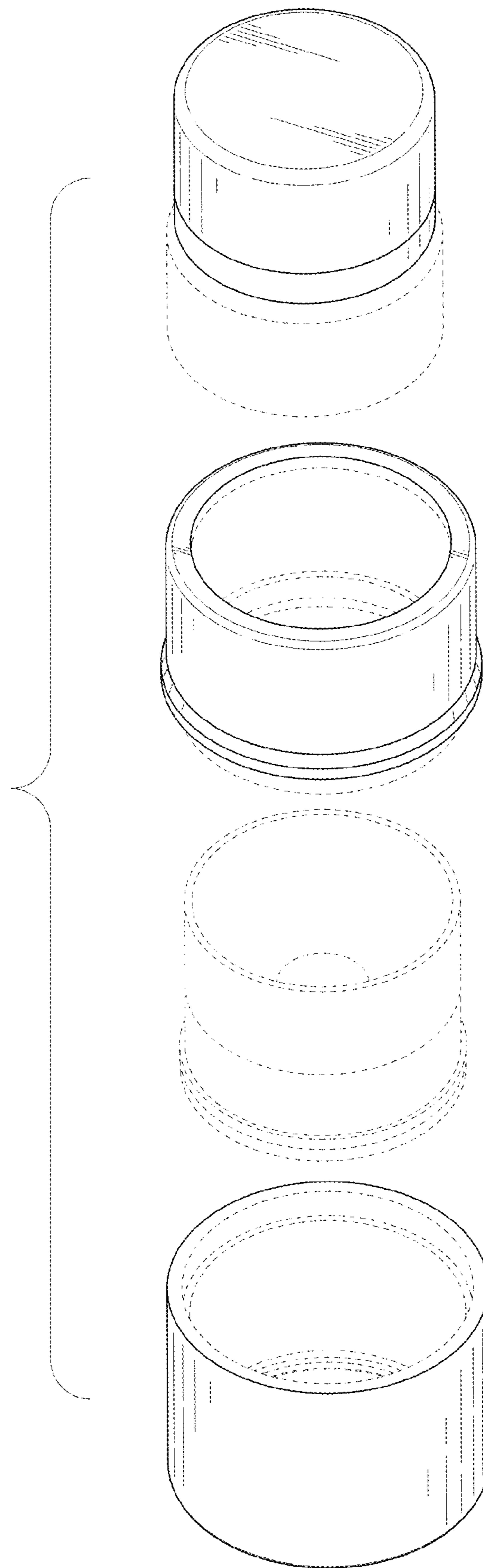


FIG. 9

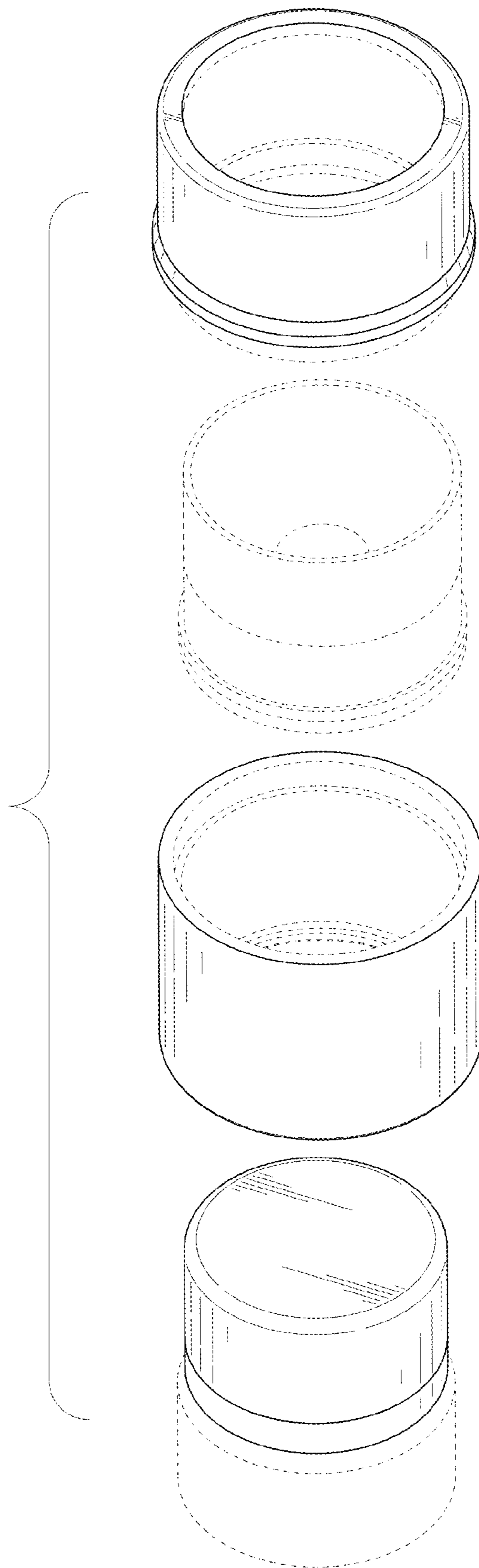


FIG. 10