



US00D959512S

(12) **United States Design Patent**
Choi et al.

(10) **Patent No.:** **US D959,512 S**
(45) **Date of Patent:** **** Aug. 2, 2022**

(54) **DOOR FOR REFRIGERATOR**

(71) Applicant: **LG ELECTRONICS INC.**, Seoul (KR)

(72) Inventors: **Kyukwan Choi**, Seoul (KR); **Sanghun Kim**, Seoul (KR); **Sangwoog Cho**, Seoul (KR); **Wonsang Choi**, Seoul (KR); **Seungjin Yoon**, Seoul (KR); **Sungkyong Han**, Seoul (KR)

(73) Assignee: **LG ELECTRONICS INC.**, Seoul (KR)

(**) Term: **15 Years**

(21) Appl. No.: **29/774,536**

(22) Filed: **Mar. 17, 2021**

(30) **Foreign Application Priority Data**

Sep. 18, 2020 (KR) 30-2020-0044983

(51) **LOC (13) Cl.** **15-07**

(52) **U.S. Cl.**
USPC **D15/91**

(58) **Field of Classification Search**

USPC D15/79-91
CPC F25D 2323/021; F25D 2323/024; F25D 29/00; F25D 27/005; F25D 29/005; F25D 17/042; F25D 2325/021; F25D 11/00; F25D

(Continued)

(56) **References Cited**

U.S. PATENT DOCUMENTS

D720,373 S * 12/2014 Kim D15/89
D754,217 S * 4/2016 Choi D15/89

(Continued)

OTHER PUBLICATIONS

Samsung, RB12A300641 24 Inch Bottom Freezer Refrigerator, (Site visited Dec. 29, 2021), A.J. Madison Appliances, URL:<https://www.ajmadison.com/cgi-bin/ajmadison/RB12A3006.html#mz-expanded-view-963375638425> (Year: 2021).*

(Continued)

Primary Examiner — Calvin E Vansant

Assistant Examiner — Mark T Philipps

(74) *Attorney, Agent, or Firm* — Birch, Stewart, Kolasch & Birch, LLP

(57) **CLAIM**

The ornamental design for a door for refrigerator, as shown and described.

DESCRIPTION

FIG. 1 is a front perspective view of the door for refrigerator showing our new design;

FIG. 2 is a front view thereof;

FIG. 3 is a back view thereof;

FIG. 4 is a left side view thereof;

FIG. 5 is a right side view thereof;

FIG. 6 is a top plan view thereof;

FIG. 7 is a bottom plan view thereof;

FIG. 8 is a partial enlarged view of the region 8 taken from FIG. 1;

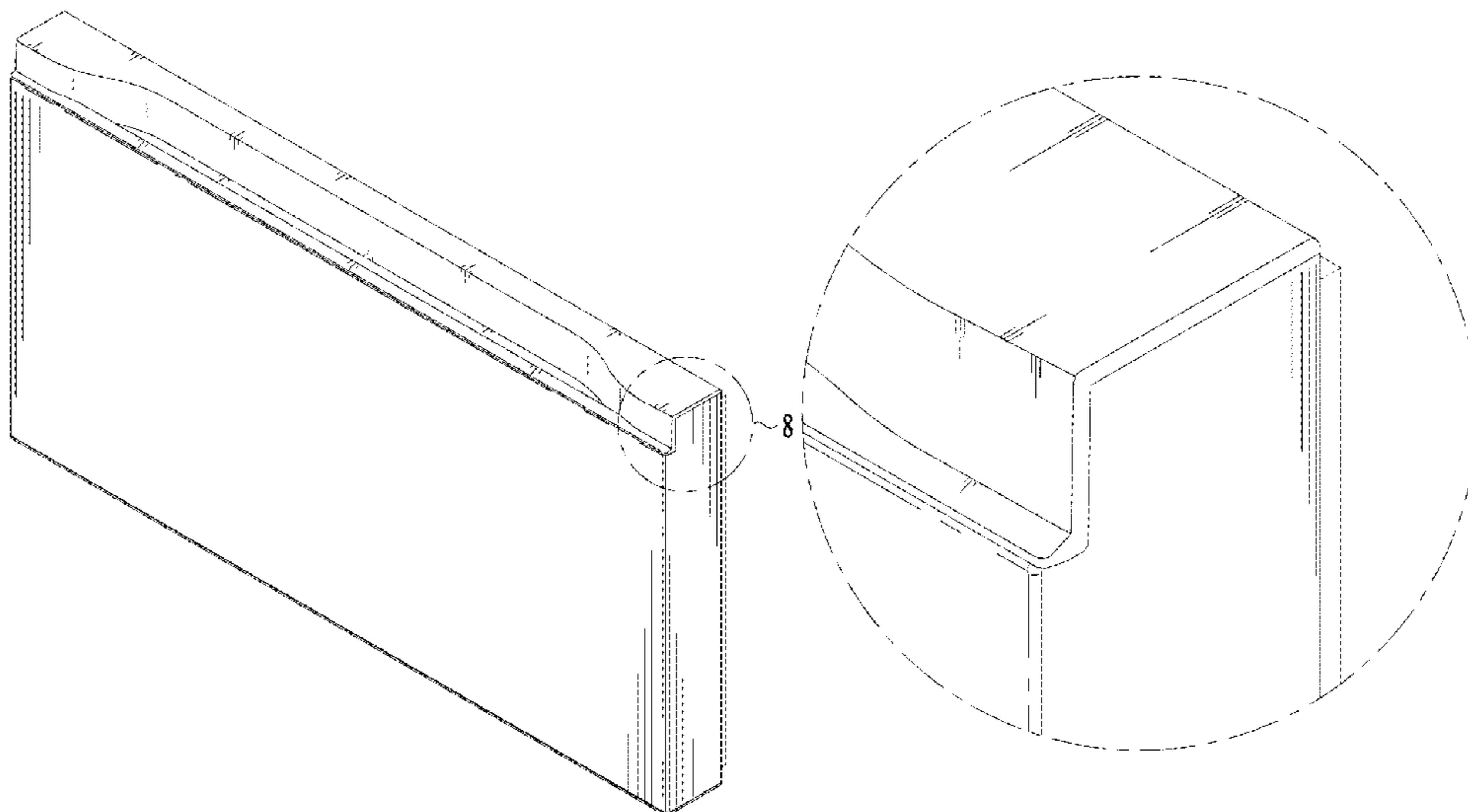
FIG. 9 is a perspective view showing the state where the front panel has been separated from the claimed design for the replacement; and,

FIG. 10 is a perspective view showing the state of use where the claimed design has been attached to the refrigerator.

The broken lines depict portions of the door for refrigerator that form no part of the claimed design. The long dash-short dash-long dash broken lines on FIGS. 1 and 8 depict the boundary of the enlarged view on FIG. 8, taken from FIG. 1, and form no part of the claimed design.

The portions of FIG. 10 drawn in broken lines show environmental structure only and form no part of the claimed design.

1 Claim, 10 Drawing Sheets



(58) **Field of Classification Search**

CPC 11/02; F25D 11/025; F25D 23/00; F25D 23/02; F25D 23/04; F25D 23/12; F25D 23/028; F25D 25/02; F25D 25/021; F25D 25/022; F25D 25/024; F25D 25/025; A47F 3/04; A47F 3/0404

See application file for complete search history.

2013/0026900	A1*	1/2013	Oh	E05D 11/06 312/401
2018/0038626	A1*	2/2018	Kim	E05F 15/73
2018/0156520	A1*	6/2018	Lindel	F25D 11/00
2018/0164033	A1*	6/2018	Lee	F25D 29/005
2020/0263479	A1*	8/2020	Lee	F25D 29/005
2020/0326119	A1*	10/2020	Lee	F25D 23/02
2021/0372688	A1*	12/2021	Kang	F25D 23/02

(56)

References Cited

U.S. PATENT DOCUMENTS

D755,261	S	*	5/2016	Choi	D15/89
D758,461	S	*	6/2016	Lee	D15/91
D771,161	S	*	11/2016	Park	D15/91
D841,060	S	*	2/2019	Jeon	D15/91
D847,214	S	*	4/2019	Guo	D15/81
D905,767	S	*	12/2020	Lee	D15/89
D908,748	S	*	1/2021	Lee	D15/91
D921,064	S	*	6/2021	Lee	D15/89
D921,065	S	*	6/2021	Lee	D15/89
D921,711	S	*	6/2021	Lee	D15/85
D921,714	S	*	6/2021	Yoon	D15/86

OTHER PUBLICATIONS

Samsung, "Bring professional quality home. Discover how Samsung Home Appliances can deliver you the perfect kitchen.", (posted Jul. 31, 2017), Instagram.com, URL:<<https://www.instagram.com/p/BXNJxm4ltMa/>> (Year: 2017).*

LG Electronics, Signature Q23FGNGR Refrigerator, (site visited Dec. 9, 2021), LG.com, URL:<<https://www.lg.com/jp/refrigerators/lg-gr-q23fgngr#>> (Year: 2021).*

LG Electronics, LRSOS2706S 36 Inch Print proof Stainless Steel Side by Side Refrigerator, (site visited Dec. 10, 2021), LG.com, URL: <<https://www.appliancesconnection.com/lg-lrsos2706s.html>> (Year: 2021).*

* cited by examiner

FIG. 1

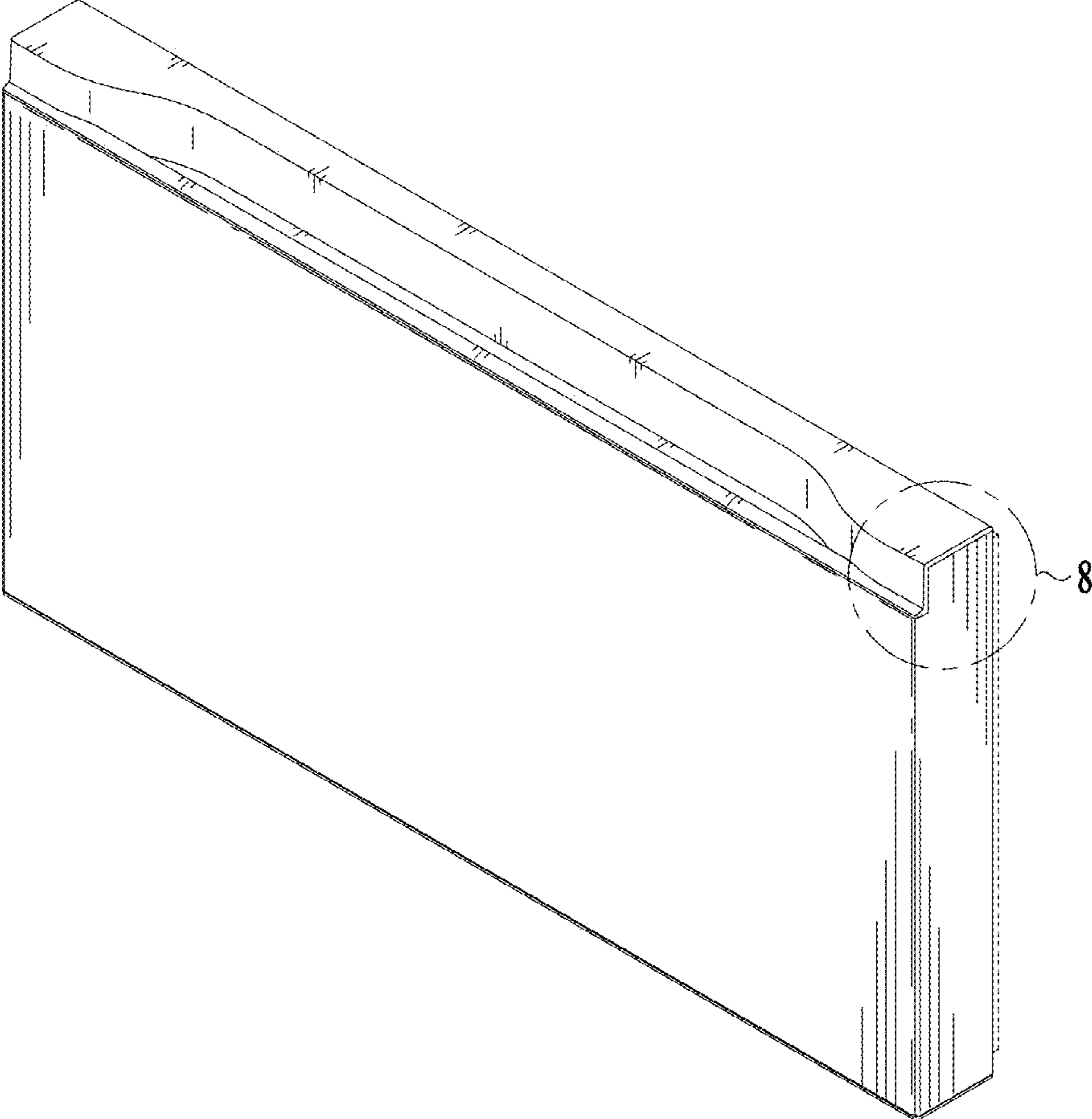


FIG. 2

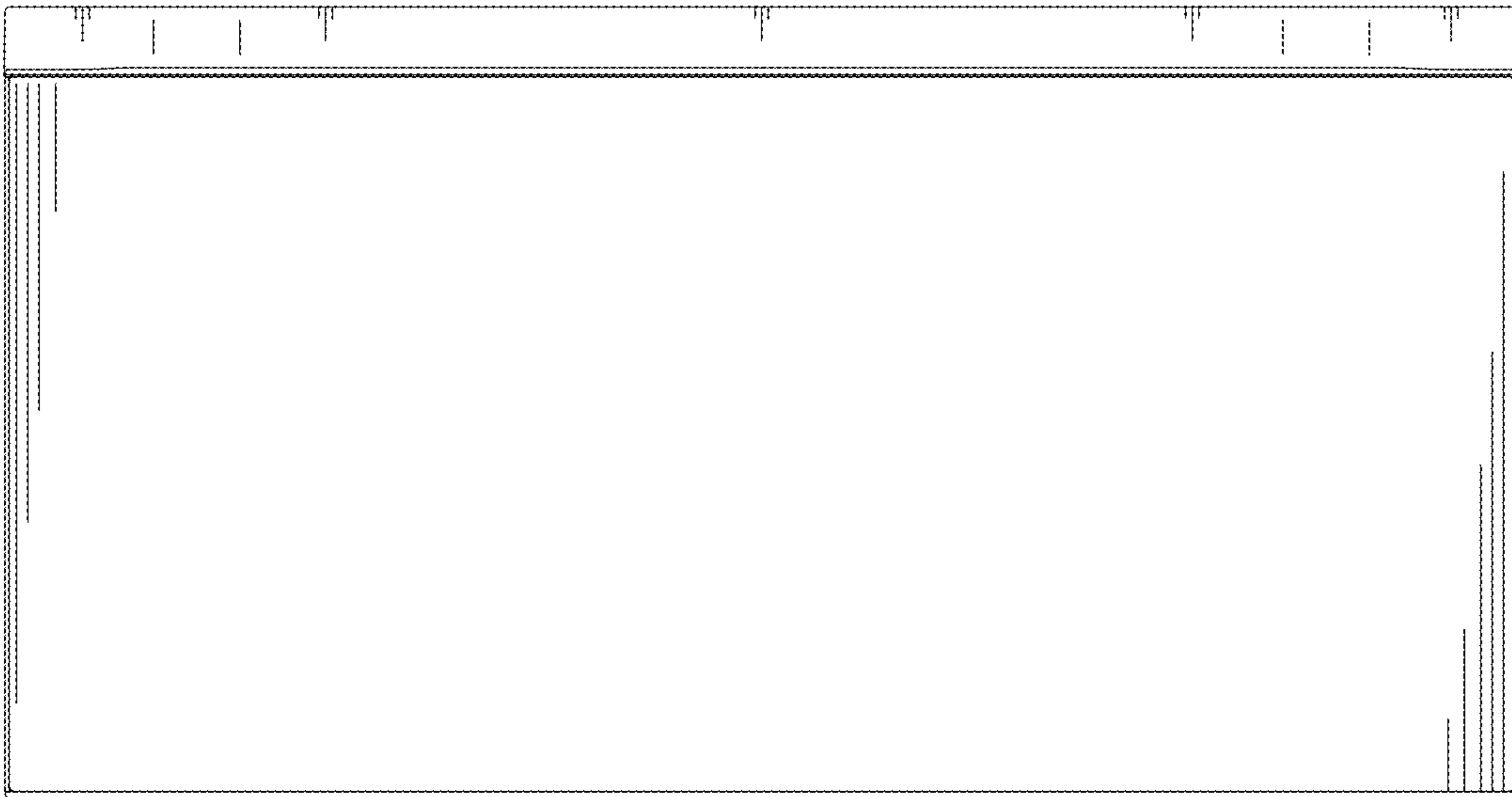


FIG. 3

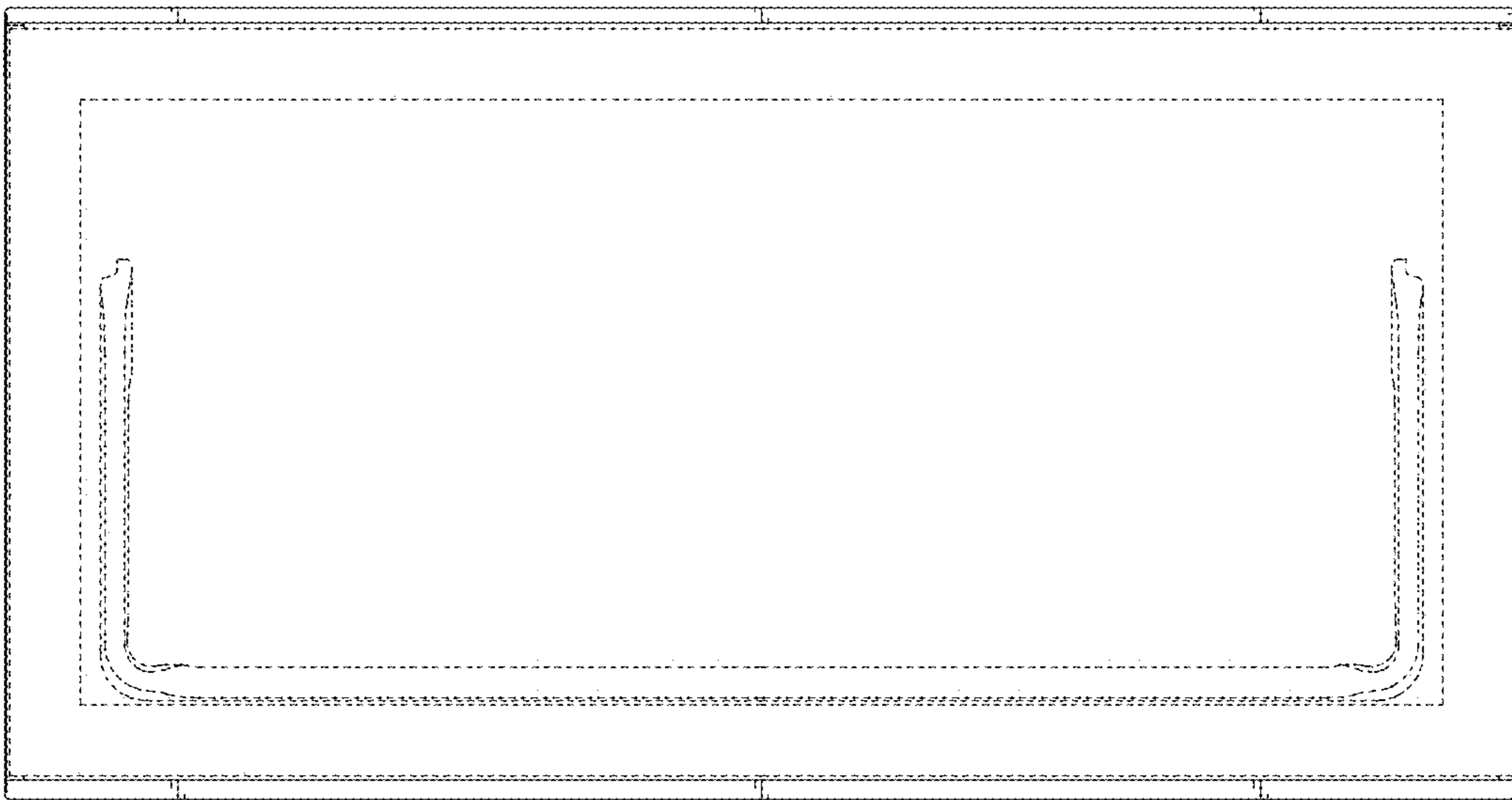


FIG. 4

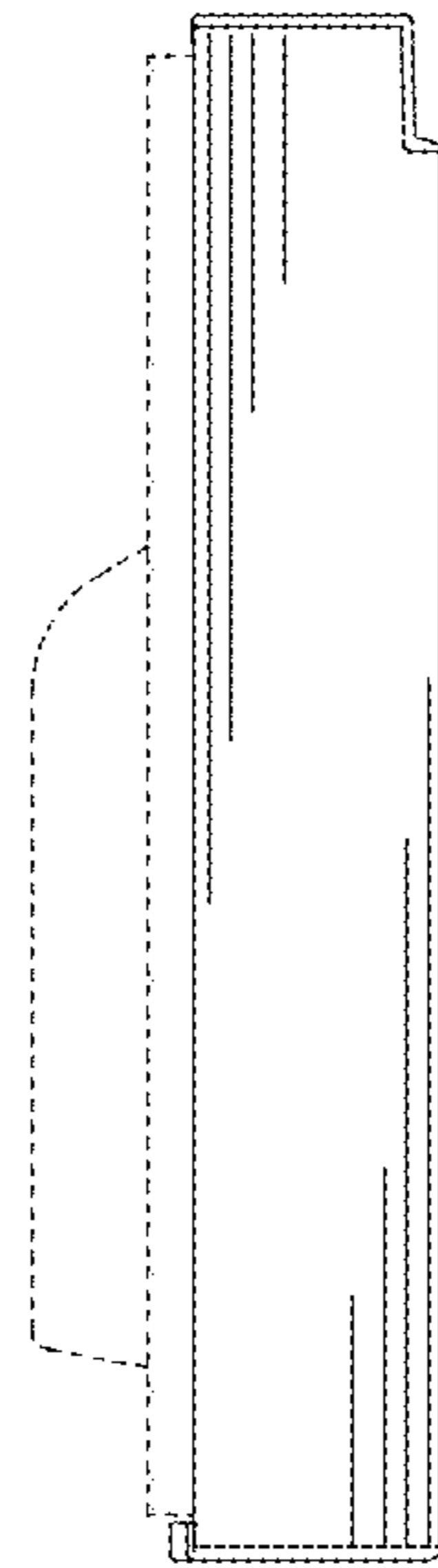


FIG. 5

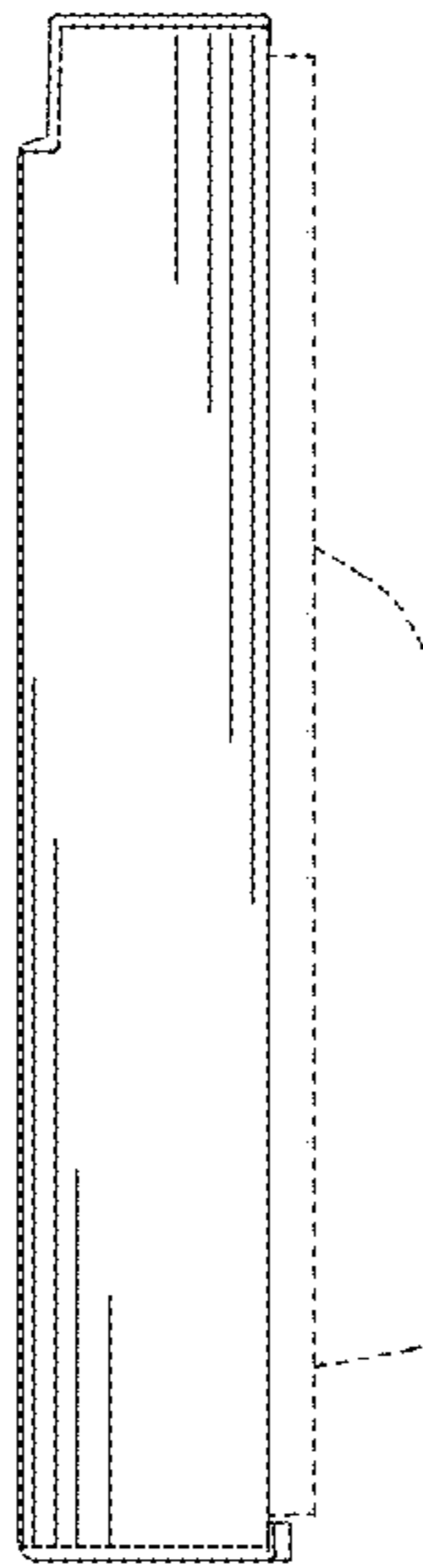


FIG. 6

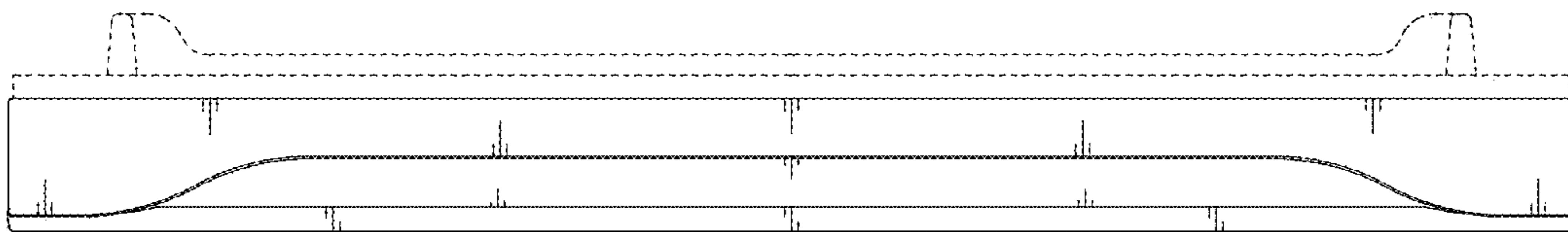


FIG. 7

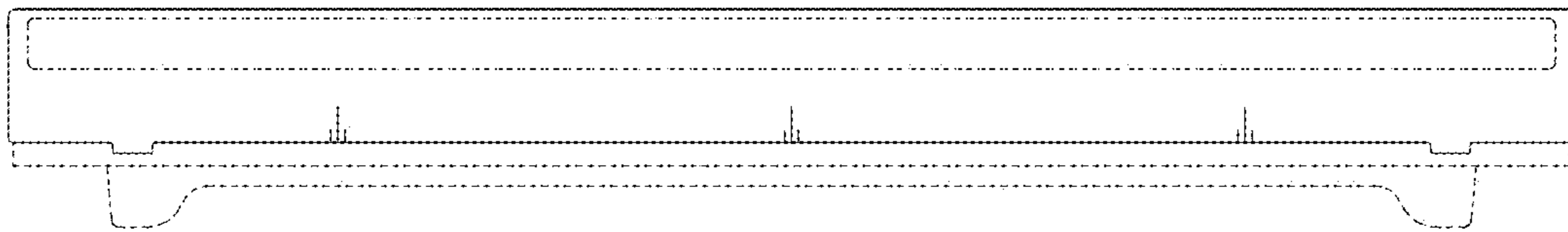


FIG. 8

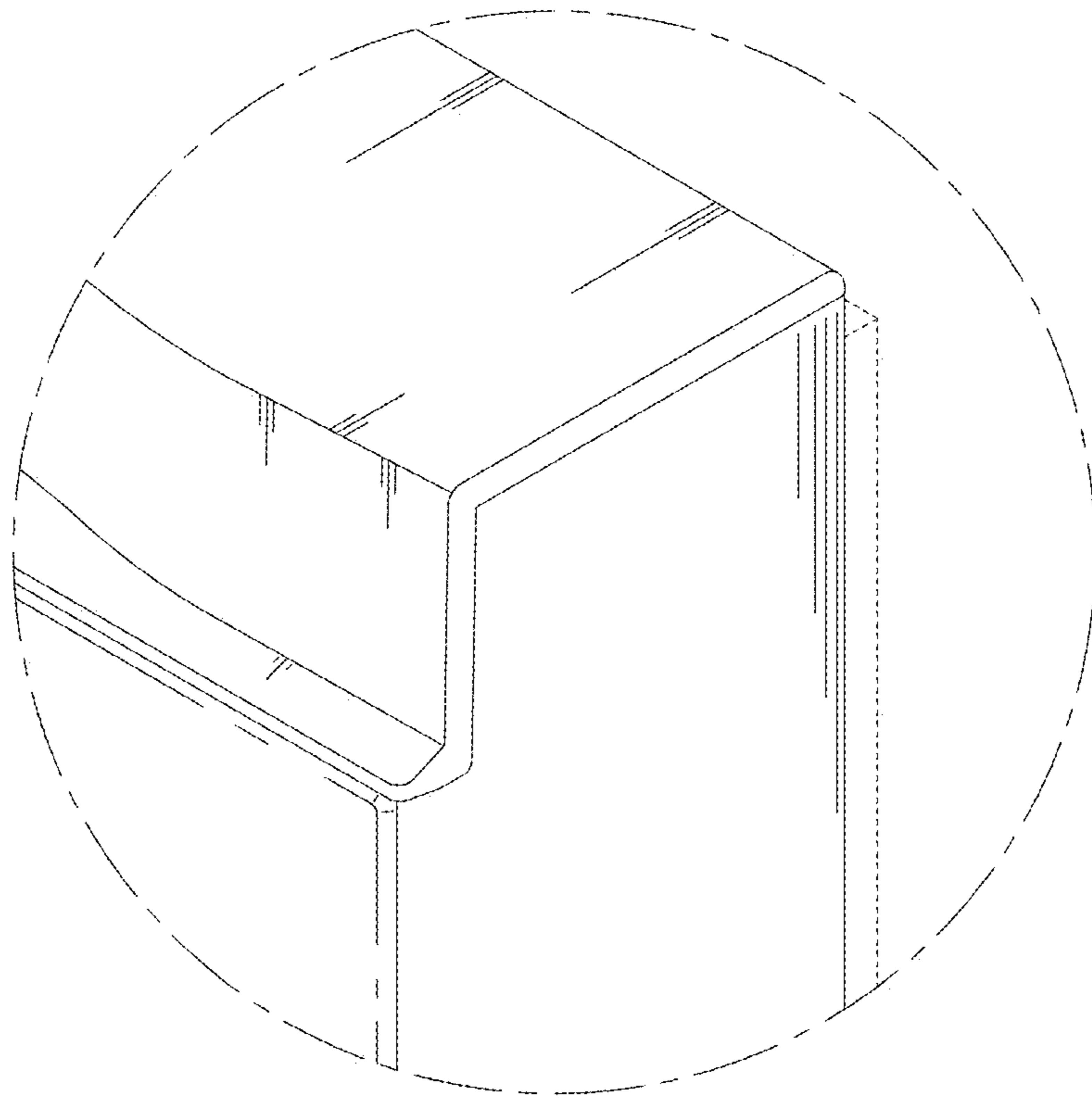


FIG. 9

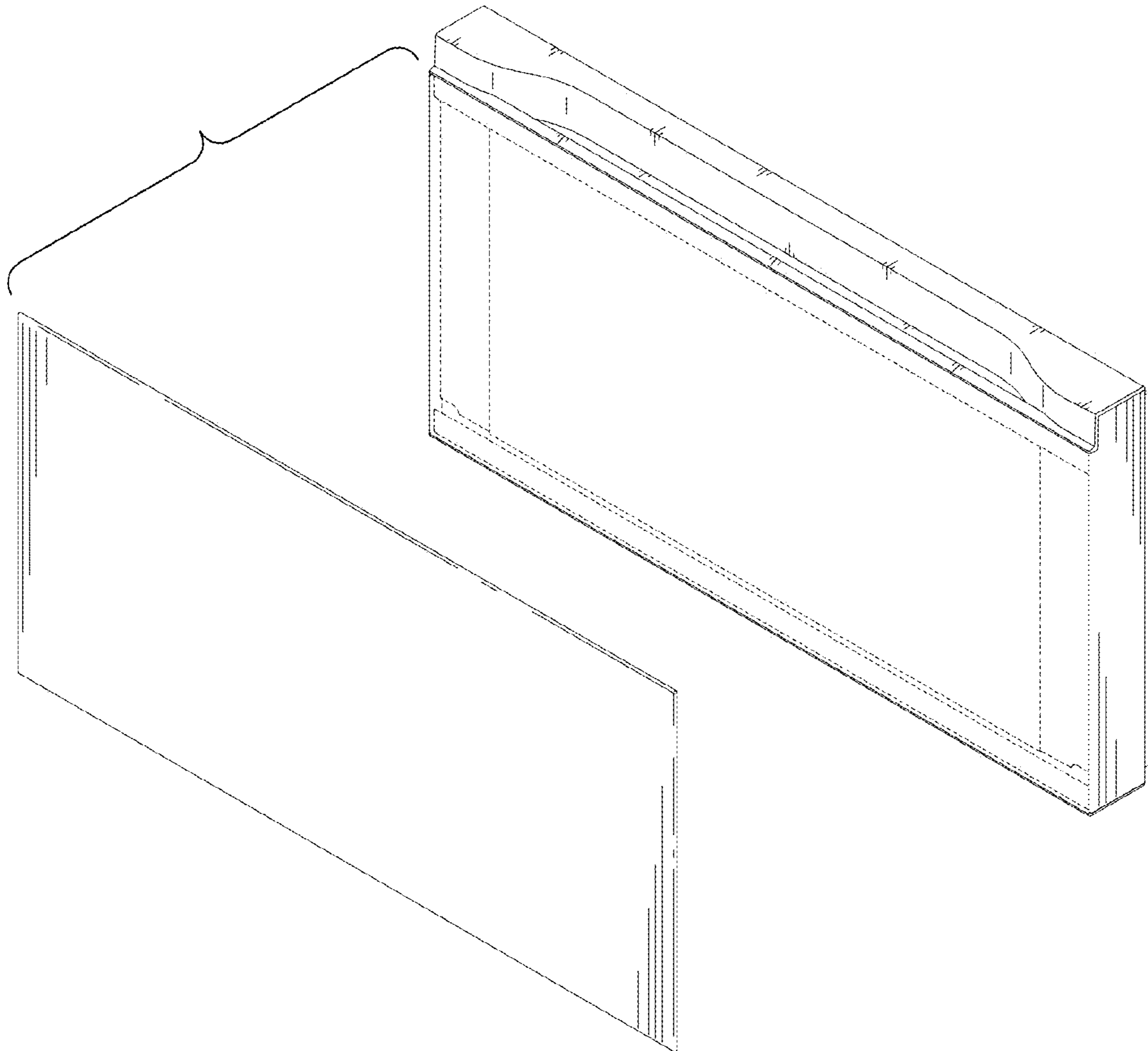


FIG. 10

