



US00D959509S

(12) **United States Design Patent** (10) **Patent No.:** **US D959,509 S**
Jeon et al. (45) **Date of Patent:** **** Aug. 2, 2022**

(54) **REFRIGERATOR**

FOREIGN PATENT DOCUMENTS

(71) Applicant: **Samsung Electronics Co., Ltd.**,
Suwon-si (KR)

CN 201530484605 5/2016
CN 201530528918 6/2016

(Continued)

(72) Inventors: **Jongsu Jeon**, Suwon-si (KR); **Seojin Park**, Seoul (KR); **Youngmin Park**,
Suwon-si (KR); **Rina Shin**, Seoul (KR)

Primary Examiner — Khawaja Anwar
(74) *Attorney, Agent, or Firm* — NSIP Law

(73) Assignee: **Samsung Electronics Co., Ltd.**,
Suwon-si (KR)

(57) **CLAIM**

We claim the ornamental design for a refrigerator, as shown and described.

(**) Term: **15 Years**

DESCRIPTION

(21) Appl. No.: **29/704,448**

(22) Filed: **Sep. 5, 2019**

(30) **Foreign Application Priority Data**

Mar. 5, 2019 (KR) 30-2019-0009732

(51) **LOC (13) Cl.** **15-07**

(52) **U.S. Cl.**
USPC **D15/81**

(58) **Field of Classification Search**

USPC D15/79-91

CPC F25D 17/065; F25D 2317/061; F25D
2323/023; F25D 23/028; F25D 23/126;
F25D 11/02; F25D 2201/126; F25D
2201/1262; F25D 2201/14; F25D
2323/021; F25D 23/02; F25D 23/025;
F25D 23/04;

(Continued)

(56) **References Cited**

U.S. PATENT DOCUMENTS

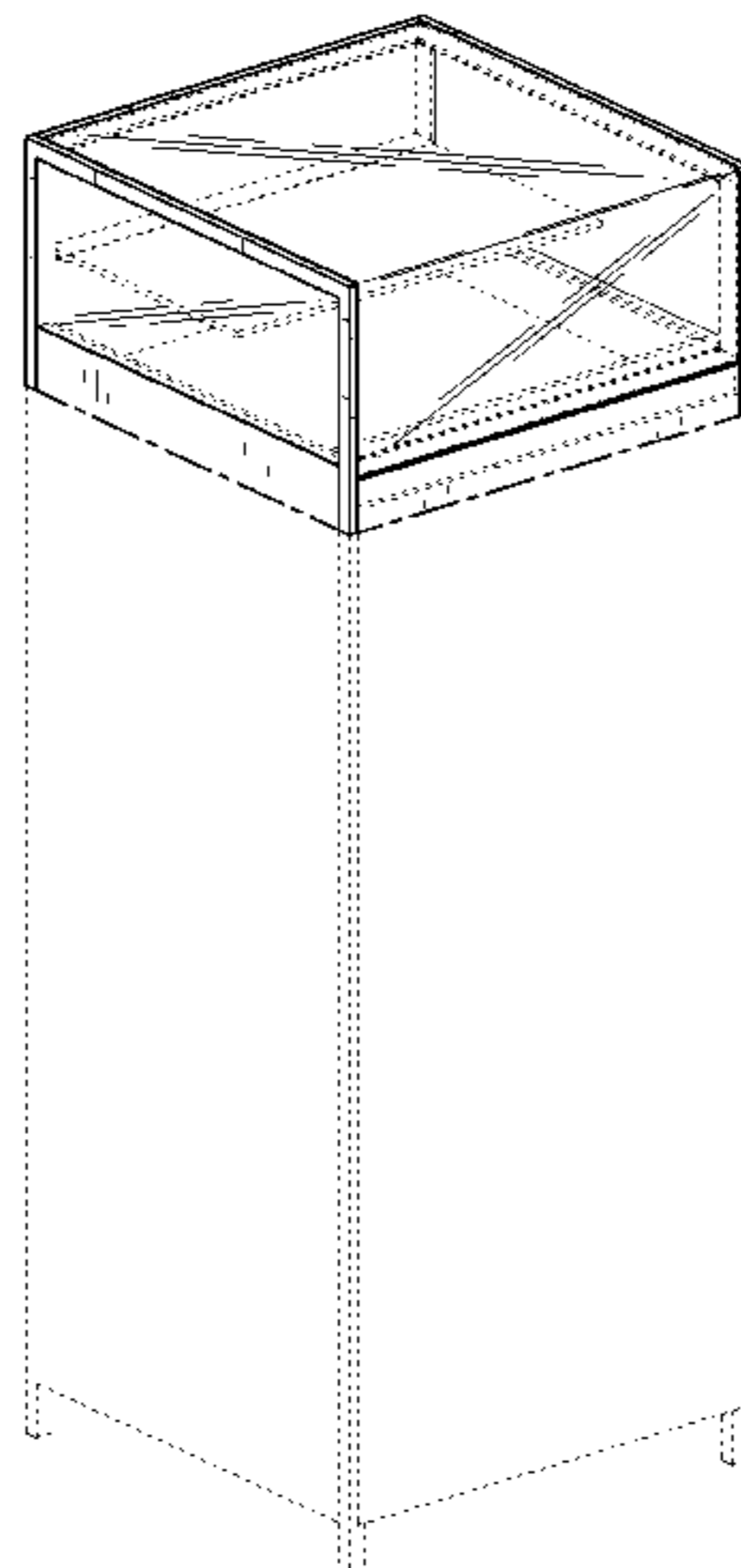
D867,408 S * 11/2019 Wang D15/79
D874,527 S * 2/2020 Kim D15/81

(Continued)

FIG. 1 is a front perspective view of a refrigerator showing our new design in a closed state;
FIG. 2 is a front view thereof;
FIG. 3 is a rear view thereof;
FIG. 4 is a left-side view thereof;
FIG. 5 is a right-side view thereof;
FIG. 6 is a top view thereof;
FIG. 7 is a bottom view thereof;
FIG. 8 is a front perspective view of a refrigerator showing our new design in a partially-open state;
FIG. 9 is a front view thereof;
FIG. 10 is a rear view thereof;
FIG. 11 is a left-side view thereof;
FIG. 12 is a right-side view thereof;
FIG. 13 is a top view thereof;
FIG. 14 is a bottom view thereof;
FIG. 15 is a front perspective view of a refrigerator showing our new design in a fully open state;
FIG. 16 is a front view thereof;
FIG. 17 is a rear view thereof;
FIG. 18 is a left-side view thereof;
FIG. 19 is a right-side view thereof;
FIG. 20 is a top view thereof; and,
FIG. 21 is a bottom view thereof.

The evenly-dashed broken lines in the figures depict portions of the refrigerator which form no part of the claimed design.

(Continued)



The dot-dash broken lines in the figures represent the boundaries of the claimed design and form no part thereof.

1 Claim, 21 Drawing Sheets

(58) Field of Classification Search

CPC F25D 23/062; F25D 23/064; F25D 23/065;
F25D 23/067; F25D 2400/361; F25D
25/025; F25D 25/04; F25D 29/005; F25D
29/006; F25D 31/005; F25D 3/06
See application file for complete search history.

(56) References Cited

U.S. PATENT DOCUMENTS

D876,491 S *	2/2020	Yu	F25D 23/025 D15/79
D884,038 S *	5/2020	Lee	D15/89
D884,753 S *	5/2020	Lee	D15/89
D895,692 S *	9/2020	Cho	F25D 25/025 D15/79
D916,145 S *	4/2021	Kim	F25D 25/025 D15/85

FOREIGN PATENT DOCUMENTS

CN	201730036223	7/2017
EM	000729876-0002	6/2007
EM	002350108-0001	11/2013

* cited by examiner

FIG. 1

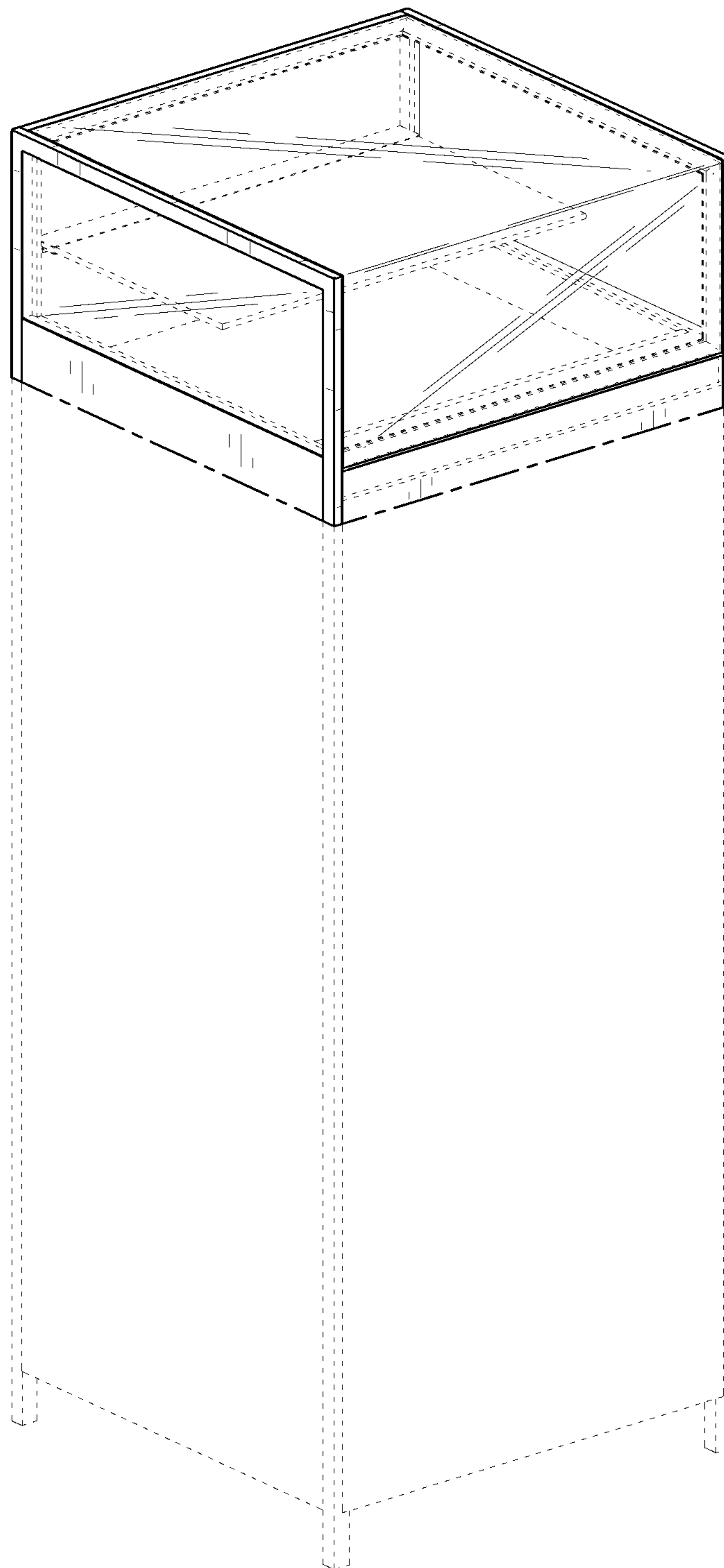


FIG. 2



FIG. 3

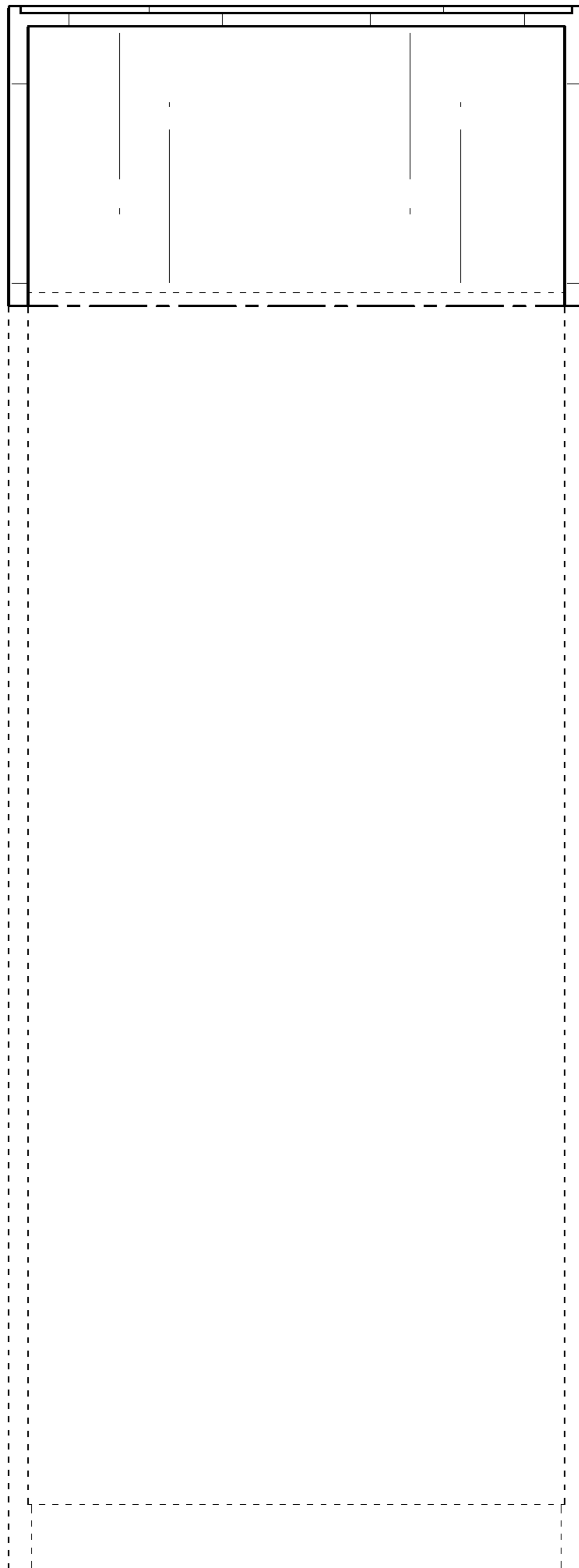


FIG. 4



FIG. 5



FIG. 6

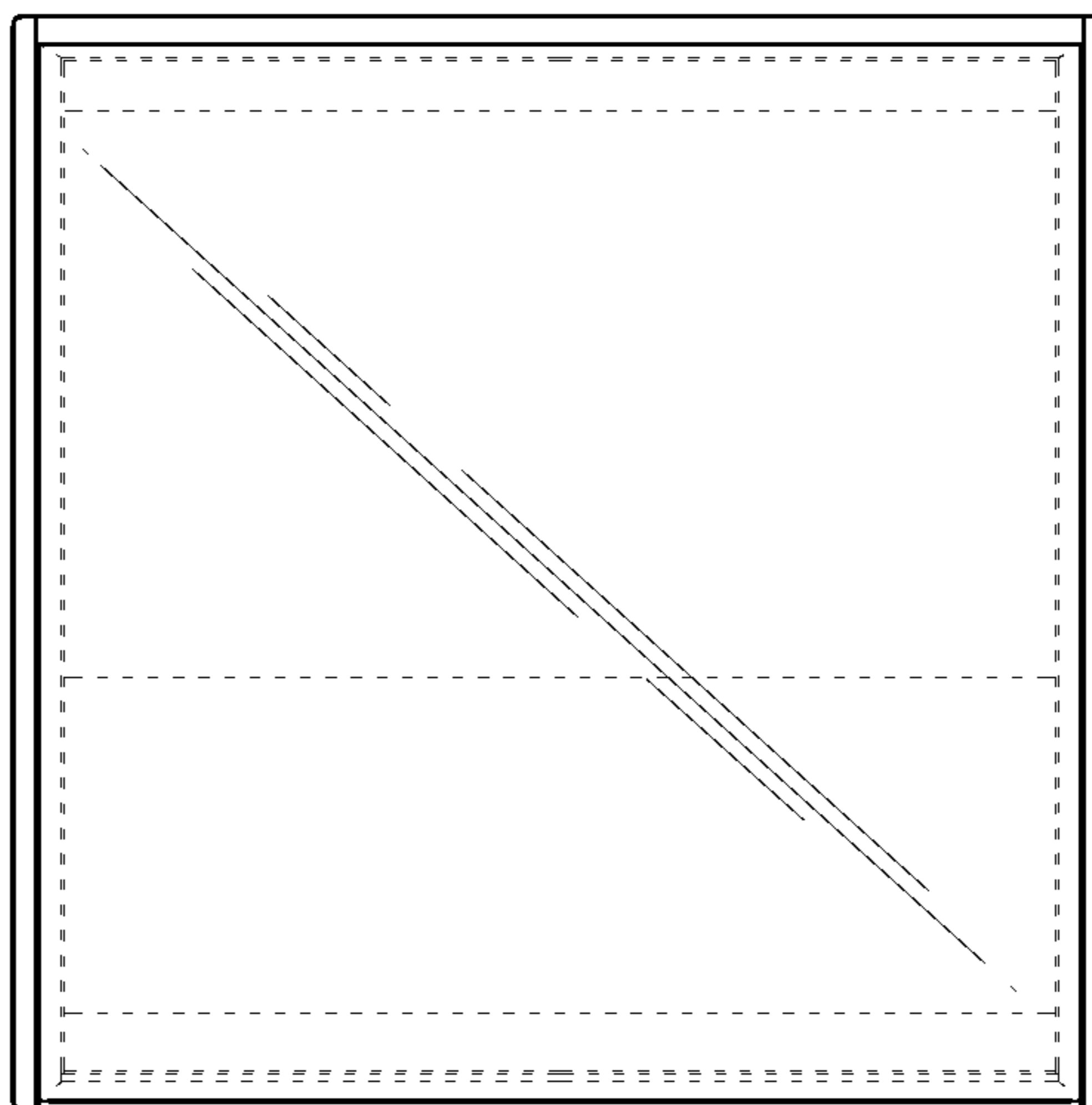


FIG. 7

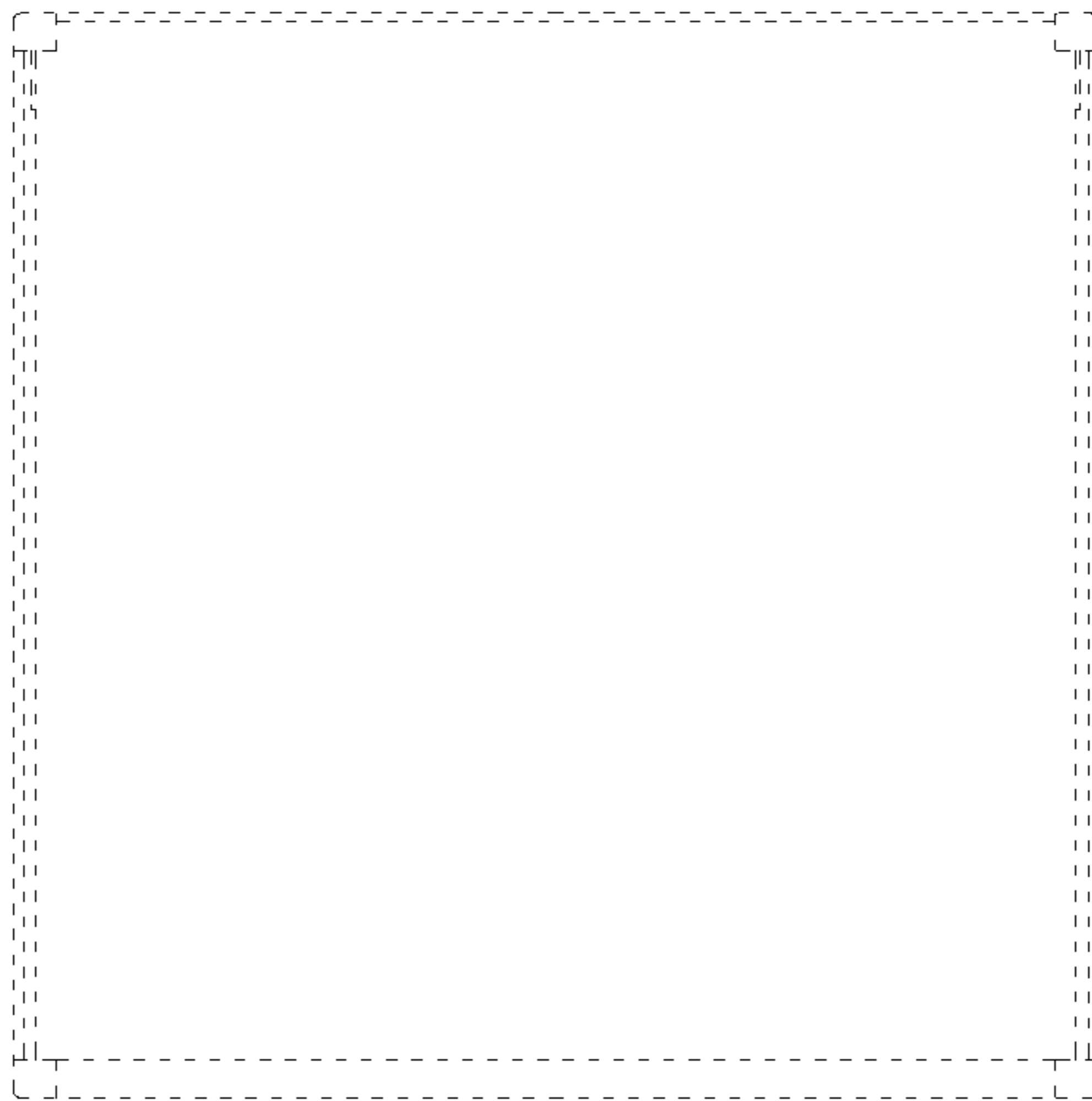


FIG. 8

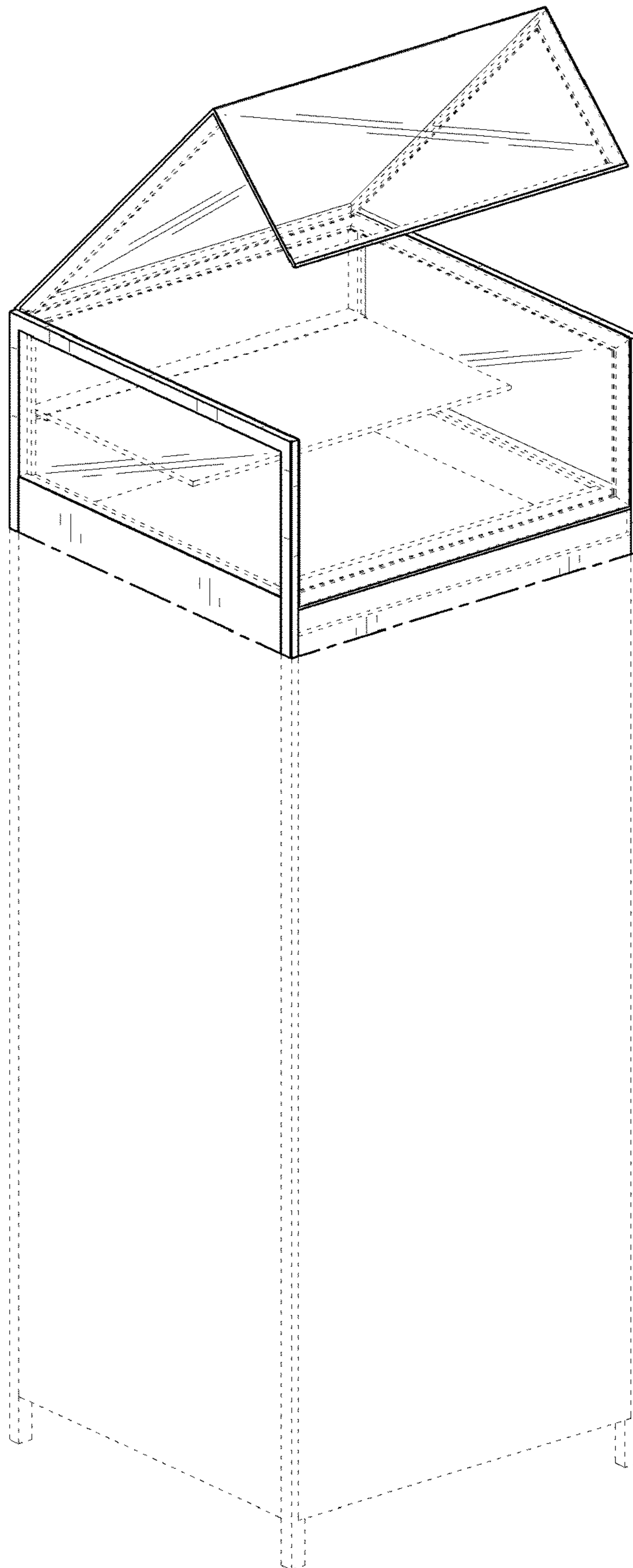


FIG. 9

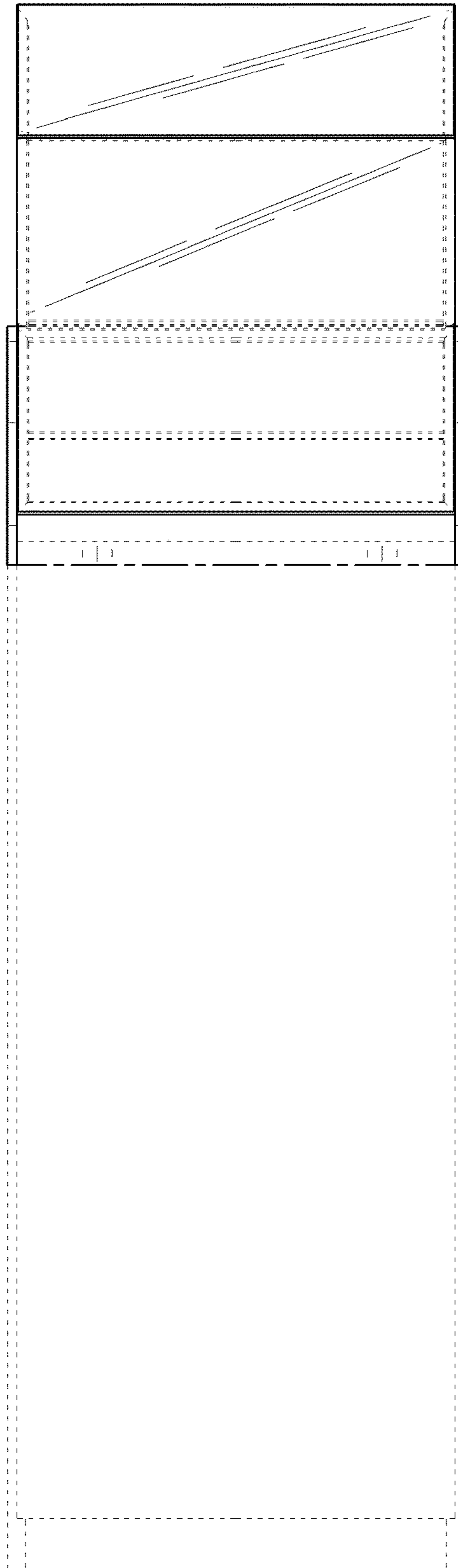


FIG. 10

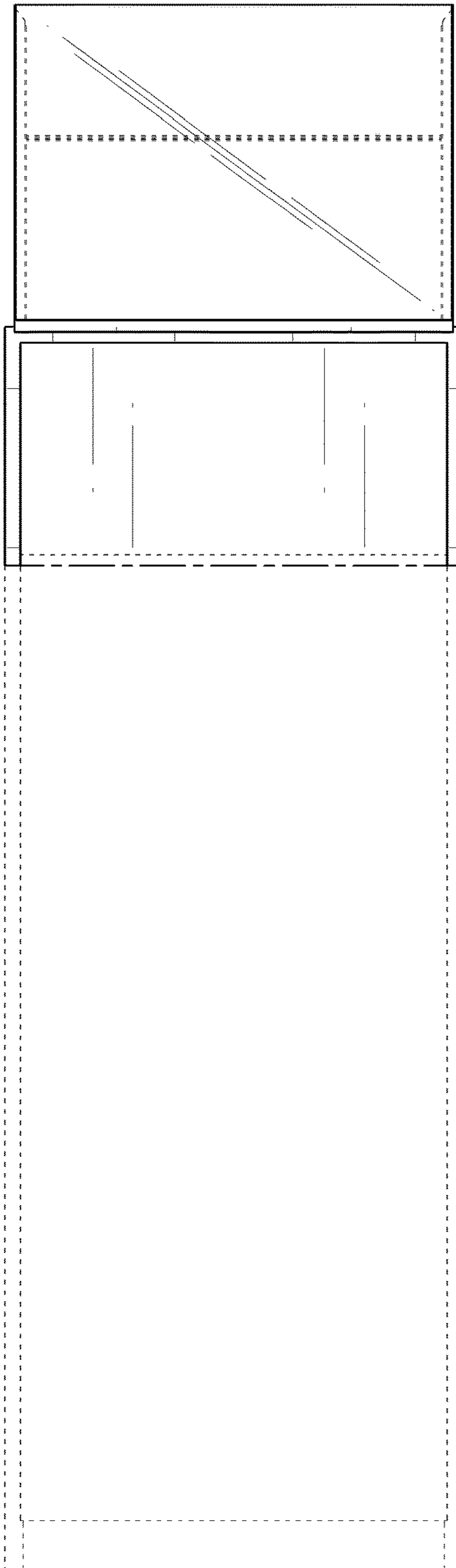


FIG. 11

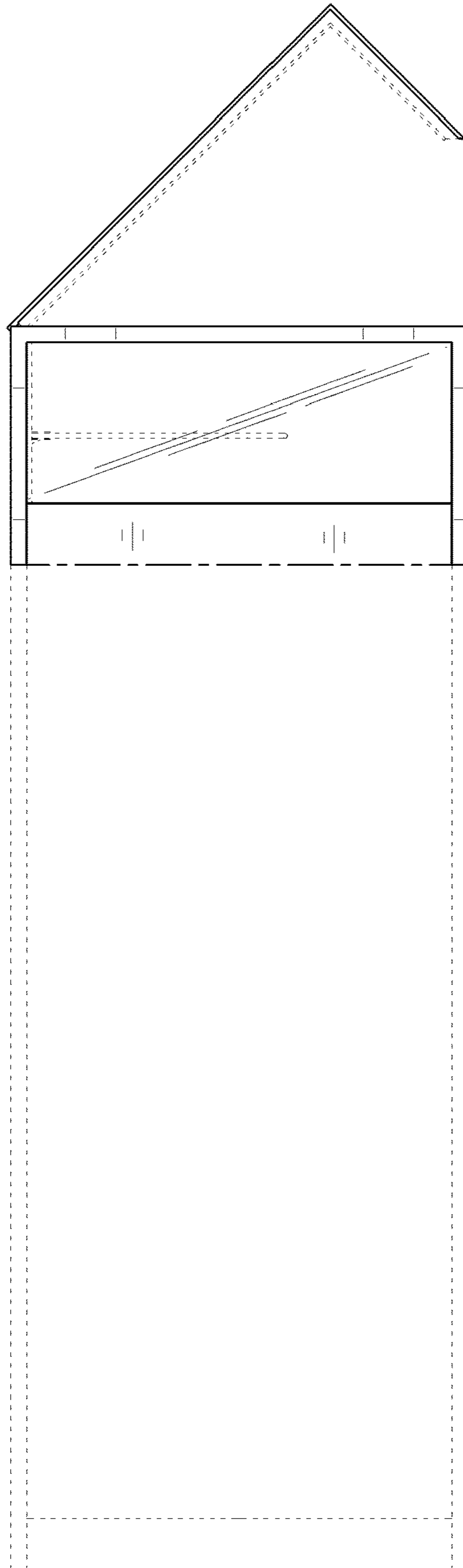


FIG. 12

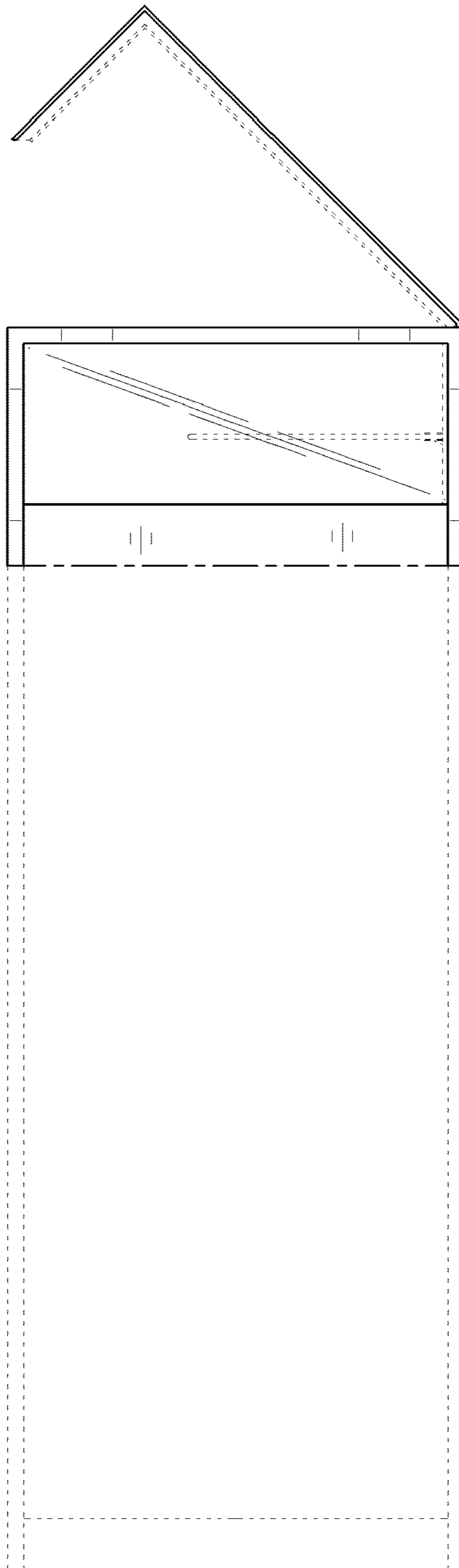


FIG. 13

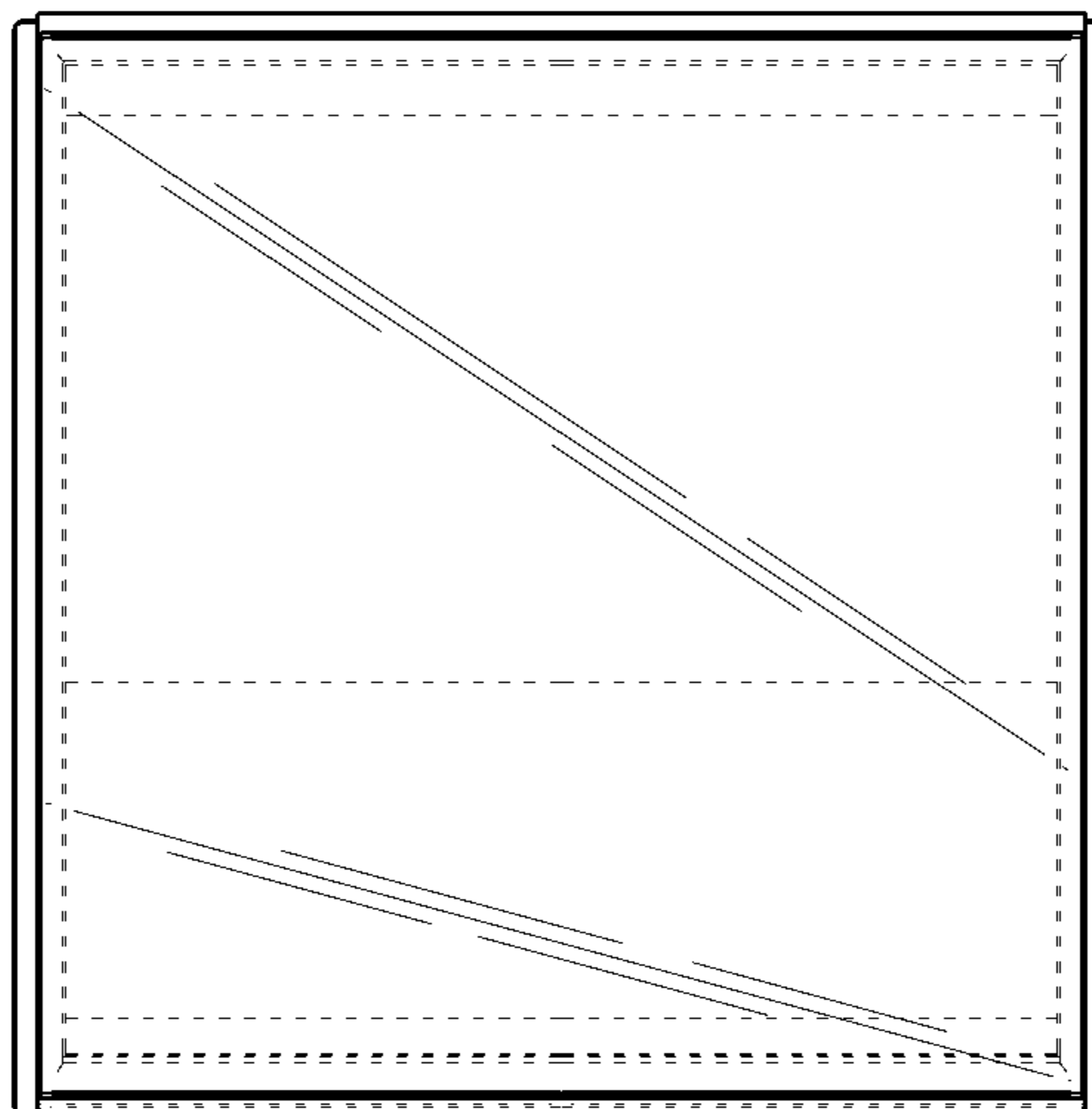


FIG. 14

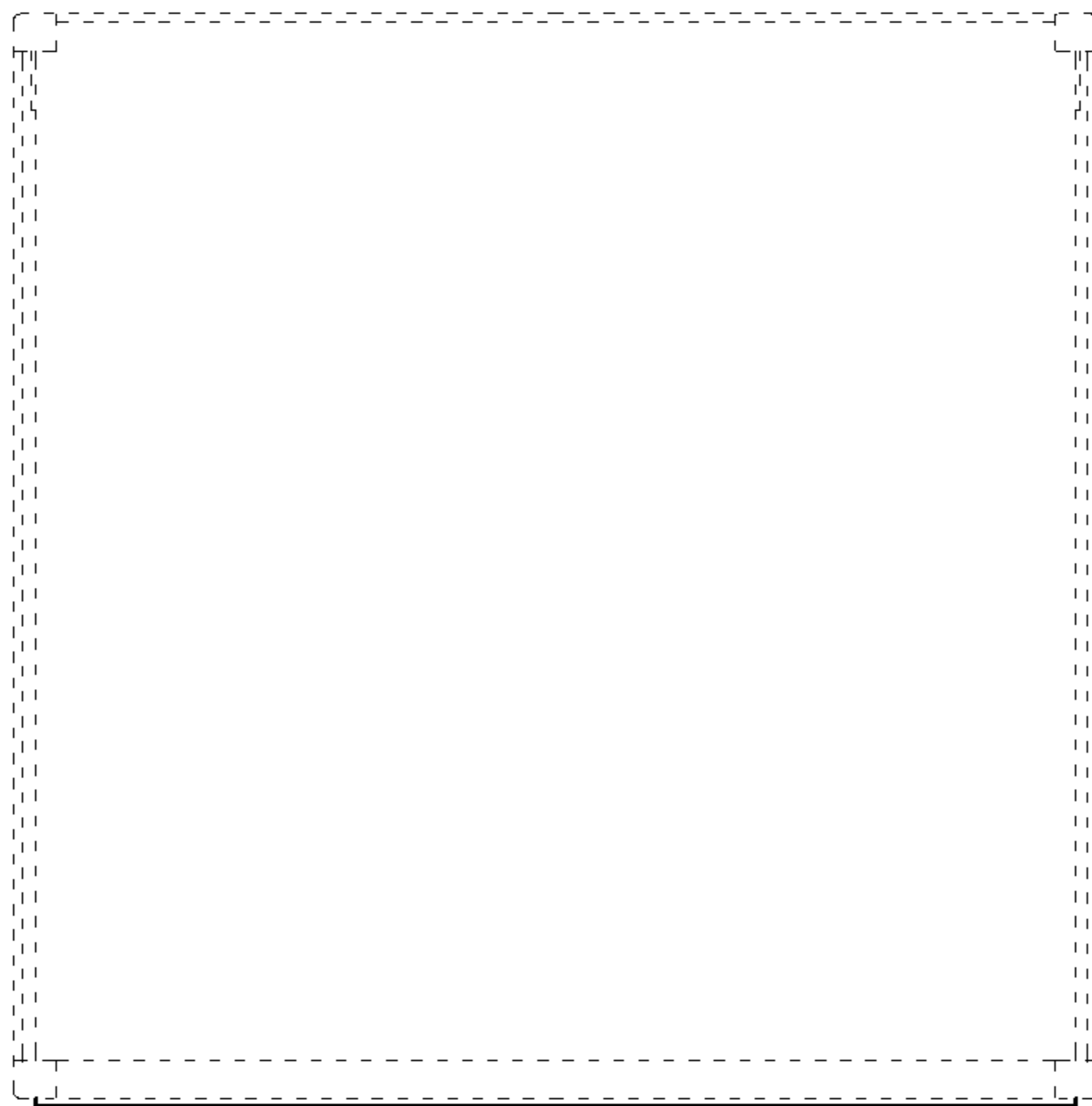


FIG. 15

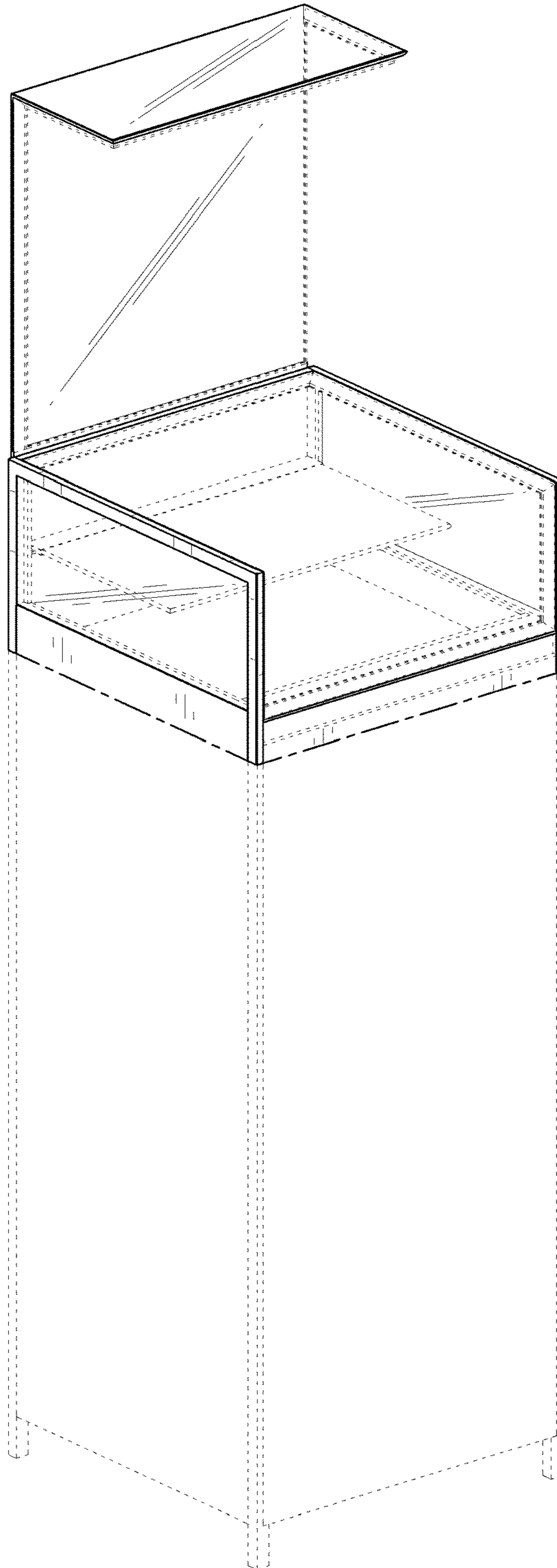


FIG. 16

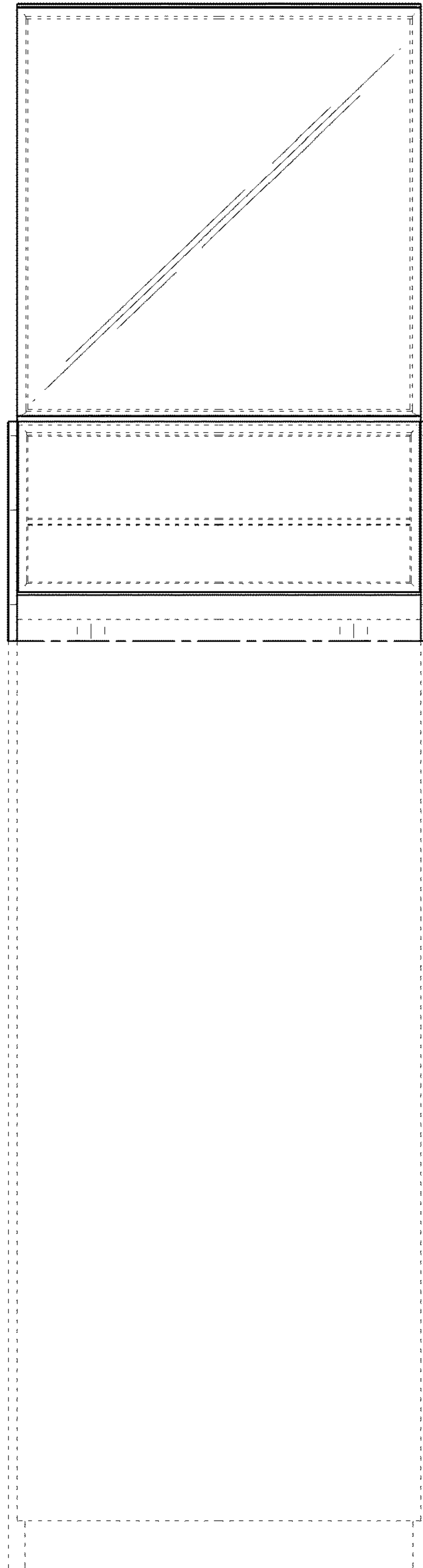


FIG. 17

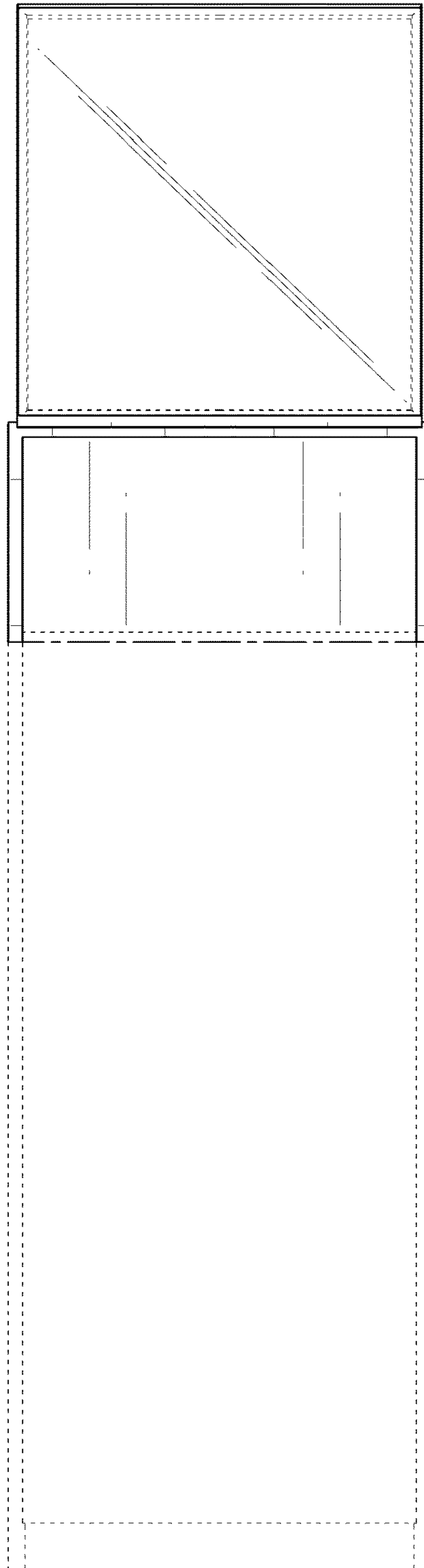


FIG. 18

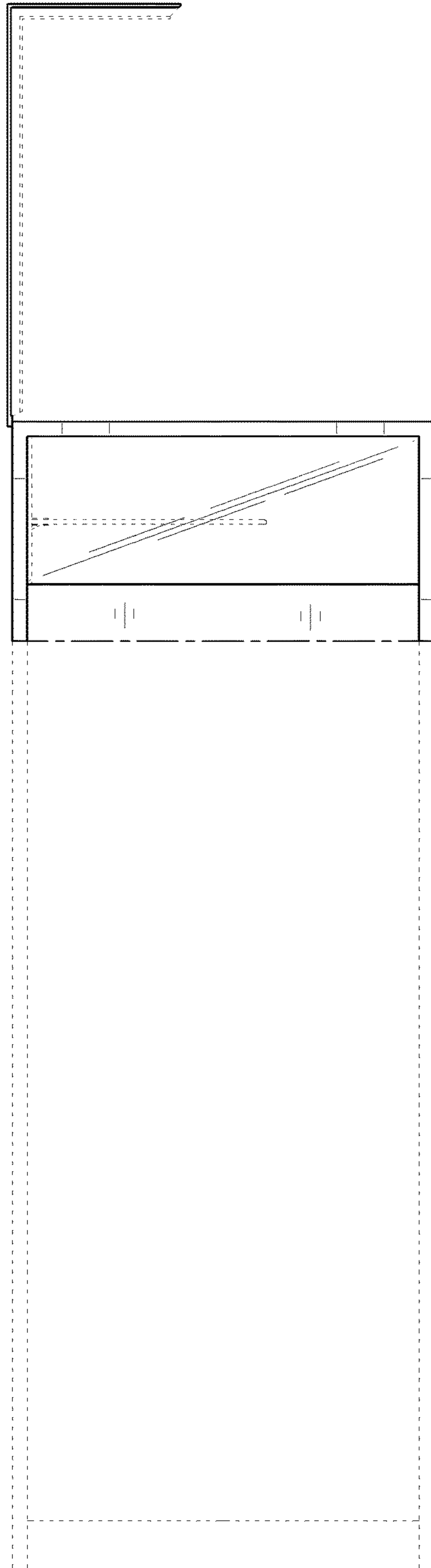


FIG. 19

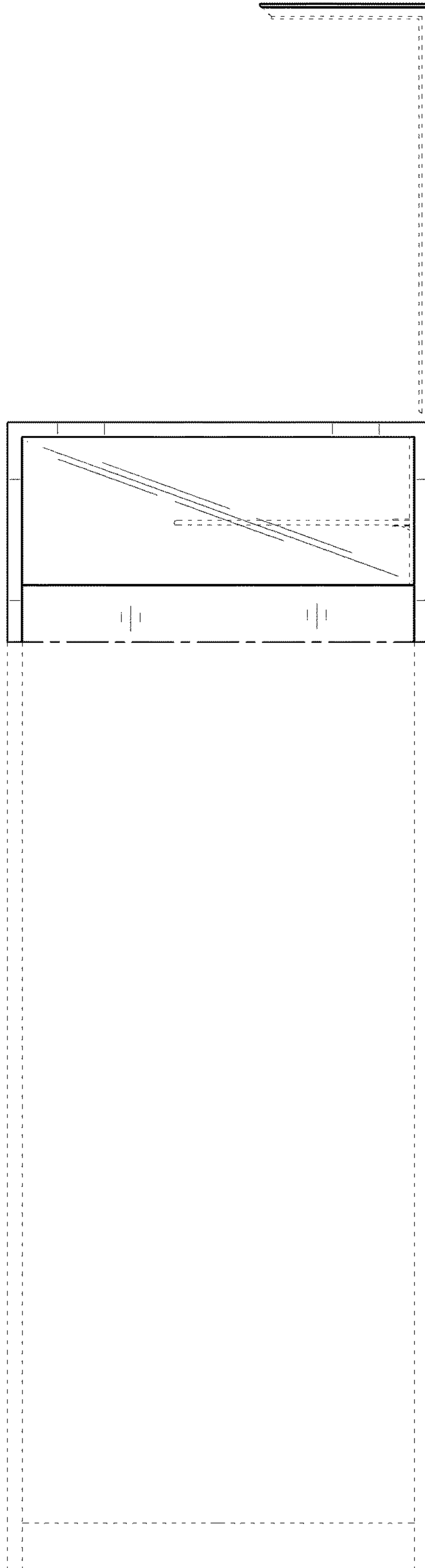


FIG. 20

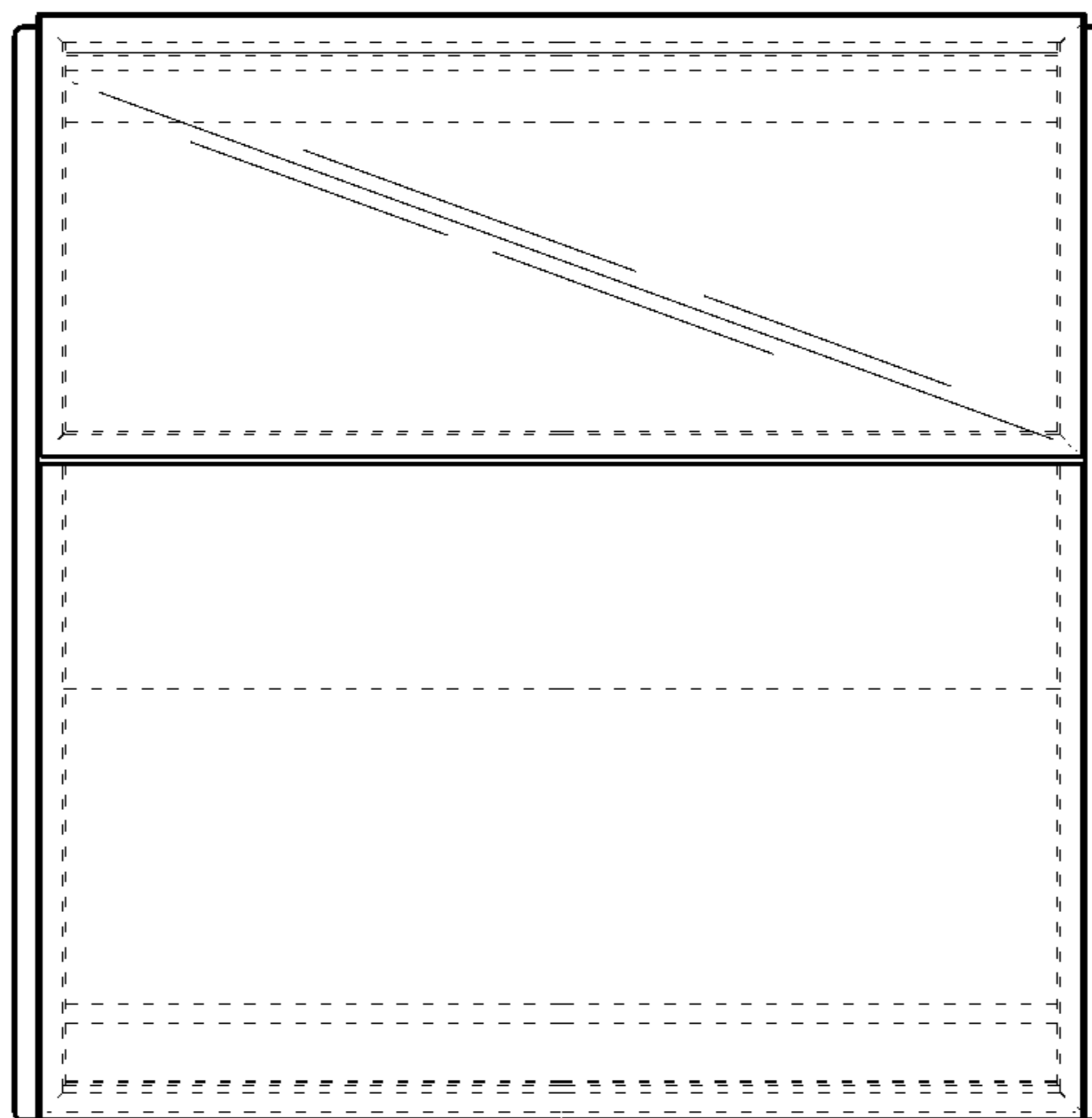


FIG. 21

