



US00D959508S

(12) **United States Design Patent**  
**Yang et al.**

(10) **Patent No.:** **US D959,508 S**  
(45) **Date of Patent:** **\*\* Aug. 2, 2022**

(54) **CAR FRIDGE**

FOREIGN PATENT DOCUMENTS

(71) Applicant: **FOSHAN ALPICOOL ELECTRIC APPLIANCE CO., LTD.**, Foshan (CN)

CN 304780009 \* 8/2018  
CN 305217382 \* 6/2019

(Continued)

(72) Inventors: **Shengchang Yang**, S.E. Qian Prefecture (CN); **Jingrui Chen**, Shaoguan (CN); **Pizhi Zhao**, Qingyuan (CN); **Shaohui Chen**, Yichun (CN); **Junjie Qin**, Nanning (CN); **Tao Zeng**, Foshan (CN)

OTHER PUBLICATIONS

Whynter [online] URL: <https://www.amazon.com/Whynter-FM-65G-65-Quart-Portable-Refrigerator/dp/B002W8DM51> (site visited: Nov. 20, 2021) (Year: 2004).\*

(Continued)

(\*\*) Term: **15 Years**

*Primary Examiner* — Jae Liang

*Assistant Examiner* — Tia Ruth-Renee Polidori

(21) Appl. No.: **29/735,422**

(22) Filed: **May 21, 2020**

(30) **Foreign Application Priority Data**

May 11, 2020 (CN) ..... 202030211365.5

(51) **LOC (13) Cl.** ..... **15-07**

(52) **U.S. Cl.**  
USPC ..... **D15/79; D15/83**

(58) **Field of Classification Search**  
USPC ..... D7/603, 604, 605, 606, 607, 608, 629;  
D3/272, 273, 274, 276, 279; D15/79, 80,  
D15/81, 83, 85; 62/911

CPC ..... F25C 2400/10; G05B 2219/2654; A45C  
11/20; A45C 9/00; A45C 5/14; F25D  
3/06; F25D 3/107; F25D 2400/12; F25D  
2400/38; F25D 31/005; F25D 11/003;  
F25D 11/006; F25D 23/003; F25D  
2323/00277; F25D 2201/10; B65D  
81/3813; B65D 81/3818; F25B 19/00

See application file for complete search history.

(57) **CLAIM**

The ornamental design for a car fridge, as shown and described.

**DESCRIPTION**

FIG. 1 is a perspective view of a car fridge showing our new design;  
FIG. 2 is another perspective view thereof;  
FIG. 3 is a front elevational view thereof;  
FIG. 4 is a rear elevational view thereof;  
FIG. 5 is a left side elevational view thereof;  
FIG. 6 is a right side elevational view thereof;  
FIG. 7 is a top plan view thereof;  
FIG. 8 is a bottom plan view thereof;  
FIG. 9 is an enlarged view of portion 9 shown in FIG. 2; and,  
FIG. 10 is an enlarged view of portion 10 shown in FIG. 4.  
The dash-dash broken lines in the drawings depict portions of the car fridge that form no part of the claimed design and the dot-dash broken lines in the drawings depict partial view indicia that forms no part of the claimed design.

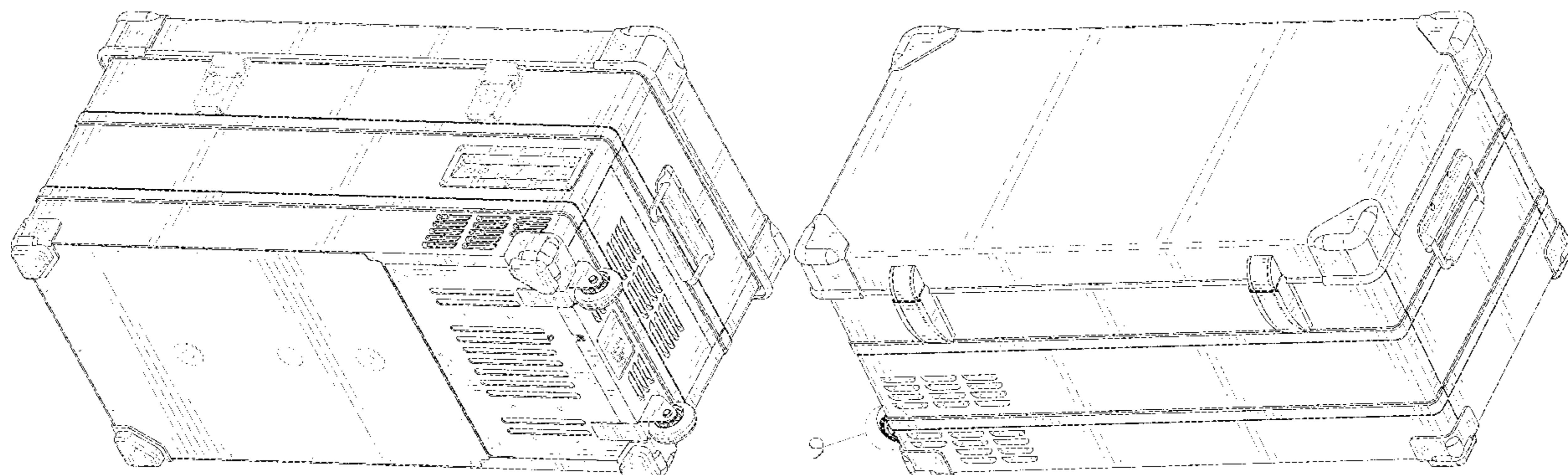
(56) **References Cited**

U.S. PATENT DOCUMENTS

D349,007 S \* 7/1994 Costello ..... D7/605  
D353,304 S \* 12/1994 Friedrich ..... D7/605

(Continued)

**1 Claim, 10 Drawing Sheets**



(56)

References Cited

U.S. PATENT DOCUMENTS

5,373,708 A \* 12/1994 Dumoulin, Jr. .... A45C 5/146  
280/30  
D368,207 S \* 3/1996 Januzzi ..... D7/605  
5,528,453 A \* 6/1996 Berman ..... A45C 5/14  
280/47.26  
D375,022 S \* 10/1996 Smith ..... D7/605  
D429,606 S \* 8/2000 Israel ..... D7/605  
6,305,185 B1 \* 10/2001 Sloan ..... A45C 5/14  
62/235.1  
D480,276 S \* 10/2003 Duart ..... D7/605  
6,658,857 B1 \* 12/2003 George ..... F25B 21/04  
165/121  
D497,252 S \* 10/2004 Perella ..... D3/272  
D503,413 S \* 3/2005 Diaz ..... D15/83  
D514,891 S \* 2/2006 Garcia ..... D7/605  
D516,099 S \* 2/2006 Maruyama ..... D15/83  
D528,795 S \* 9/2006 Perella ..... D3/297  
7,143,601 B1 \* 12/2006 Jimenez ..... F25D 23/12  
62/457.7  
D552,426 S \* 10/2007 Jones ..... D7/605  
D558,239 S \* 12/2007 Takemoto ..... D15/79  
D584,511 S \* 1/2009 Decarlo ..... D3/322  
D612,670 S \* 3/2010 Sanchez ..... D7/392  
D613,560 S \* 4/2010 Robichaud ..... D7/605  
7,984,997 B1 \* 7/2011 Sandberg ..... F21S 9/03  
362/101  
D660,589 S \* 5/2012 Ayjian ..... D3/260  
D660,885 S \* 5/2012 Crawford ..... D15/83  
8,256,156 B1 \* 9/2012 Burgoyne, Jr. .... A01K 97/06  
43/54.1  
8,353,167 B2 \* 1/2013 McGann ..... F25B 21/02  
62/3.62  
9,132,598 B2 \* 9/2015 Ernst ..... B30B 1/04  
D750,140 S \* 2/2016 Cross ..... D15/81  
9,282,797 B1 \* 3/2016 Soto ..... A45C 13/30  
9,671,158 B1 \* 6/2017 Sandberg ..... F25D 27/00  
9,726,424 B1 \* 8/2017 Sandberg ..... F21V 23/0414  
D815,919 S \* 4/2018 DeFrancia ..... D7/605  
D820,049 S \* 6/2018 Ahlstrom ..... D7/605  
D828,108 S \* 9/2018 Bowling ..... D7/605  
D836,995 S \* 1/2019 Carey ..... D7/605  
10,197,322 B2 \* 2/2019 Lagasse ..... F25D 3/06  
D863,892 S \* 10/2019 Ellison ..... D7/605  
D863,893 S \* 10/2019 Ellison ..... D7/605  
D866,269 S \* 11/2019 Coplin ..... D7/605  
D869,244 S \* 12/2019 Ellison ..... D7/605  
D873,085 S \* 1/2020 DeFrancia ..... D7/605  
D880,540 S \* 4/2020 Xie ..... D15/83  
D889,208 S \* 7/2020 Ellison ..... D7/605  
10,731,919 B1 \* 8/2020 Gutierrez ..... F25D 27/005  
D901,986 S \* 11/2020 Meda ..... D7/605  
D904,128 S \* 12/2020 Ellison ..... D7/605  
10,859,305 B1 \* 12/2020 Ellis ..... F25D 3/10  
D907,074 S \* 1/2021 Yang ..... D15/83  
D920,743 S \* 6/2021 Meda ..... D7/605  
D921,439 S \* 6/2021 Meda ..... D7/605  
D922,454 S \* 6/2021 Tang ..... D15/79  
11,027,885 B2 \* 6/2021 Duong ..... B65D 25/2841  
D927,938 S \* 8/2021 Meda ..... D7/605  
D927,939 S \* 8/2021 Ellison ..... D7/605  
D929,189 S \* 8/2021 Pennington ..... D7/605  
D929,471 S \* 8/2021 Meda ..... D15/79  
D935,280 S \* 11/2021 Thelin ..... D7/605  
2005/0081558 A1 \* 4/2005 Yoshida ..... F25D 11/003  
62/457.9  
2006/0048534 A1 \* 3/2006 Beal ..... B62B 5/0026  
62/239  
2007/0028642 A1 \* 2/2007 Glade ..... F25D 3/06  
62/371  
2008/0001373 A1 \* 1/2008 Vaughn ..... B60B 35/10  
280/47.26

2009/0260546 A1 \* 10/2009 George ..... A45C 11/20  
108/26  
2009/0277187 A1 \* 11/2009 McGann ..... F25B 27/002  
62/3.6  
2011/0030413 A1 \* 2/2011 Heil ..... F25D 3/08  
62/407  
2012/0228074 A1 \* 9/2012 Osler ..... A45C 7/0045  
190/18 A  
2012/0318177 A1 \* 12/2012 Piazza, Jr. .... A45C 9/00  
108/14  
2014/0157794 A1 \* 6/2014 McGann ..... F25B 21/04  
62/3.2  
2015/0203141 A1 \* 7/2015 Martin ..... B62B 5/0083  
280/47.131  
2016/0025400 A1 \* 1/2016 Van Wuffen ..... A23L 3/364  
426/418  
2016/0113370 A1 \* 4/2016 Arel, Jr. .... A45C 15/00  
220/592.09  
2016/0135559 A1 \* 5/2016 Scally ..... B65D 81/3813  
220/592.03  
2016/0272405 A1 \* 9/2016 Furneaux ..... B65D 25/38  
2017/0023289 A1 \* 1/2017 Anderson ..... F25D 3/08  
2017/0027386 A1 \* 2/2017 Bungard ..... A47J 41/0055  
2017/0159989 A1 \* 6/2017 Bodnar ..... F25D 3/08  
2017/0234596 A1 \* 8/2017 Patsis ..... A45C 11/20  
220/592.2  
2017/0343247 A1 \* 11/2017 Ahmad ..... F25D 11/003  
2018/0009588 A1 \* 1/2018 Grogan ..... F25B 21/04  
2018/0015938 A1 \* 1/2018 DeFrancia ..... B62B 5/067  
2018/0079580 A1 \* 3/2018 Midali ..... B65D 81/113  
2018/0238607 A1 \* 8/2018 Lagasse ..... F25D 3/06  
2018/0266749 A1 \* 9/2018 Morgan ..... F25D 11/027  
2019/0039810 A1 \* 2/2019 Tolman ..... B65D 81/3818  
2019/0092528 A1 \* 3/2019 Slattery ..... B65D 81/3813  
2019/0152677 A1 \* 5/2019 Hoyt ..... B65D 43/165  
2019/0300266 A1 \* 10/2019 Bramwell ..... B65D 81/3825  
2019/0389711 A1 \* 12/2019 Coplin ..... B65D 43/162  
2020/0017277 A1 \* 1/2020 Moon ..... B65D 43/167  
2020/0062454 A1 \* 2/2020 Duong ..... B65D 25/2841  
2020/0102126 A1 \* 4/2020 Guerdrum ..... B65D 81/3813  
2020/0132365 A1 \* 4/2020 Ohta ..... F25D 11/006  
2020/0187615 A1 \* 6/2020 Hockaday, Jr. .... A45C 5/14  
2020/0196725 A1 \* 6/2020 Tonelli ..... A45C 13/26  
2020/0216224 A1 \* 7/2020 Nichols ..... B65D 25/24  
2020/0216229 A1 \* 7/2020 Guan ..... B65D 25/2841  
2020/0217571 A1 \* 7/2020 Guan ..... F25D 11/02  
2020/0217574 A1 \* 7/2020 Thelin ..... B65D 81/3813  
2020/0237163 A1 \* 7/2020 Olson ..... B65D 81/3818  
2021/0016923 A1 \* 1/2021 Downie ..... B65D 81/3813  
2021/0076791 A1 \* 3/2021 DeVeaux ..... A45C 9/00  
2021/0127808 A1 \* 5/2021 Thelin ..... B65D 81/3888  
2021/0229893 A1 \* 7/2021 Maldonado ..... B65D 43/22  
2021/0284426 A1 \* 9/2021 Kalajyan ..... B65D 45/00  
2021/0285716 A1 \* 9/2021 Kalajyan ..... B65D 25/2841  
2021/0347287 A1 \* 11/2021 Fan ..... B60N 3/104

FOREIGN PATENT DOCUMENTS

CN 305716329 \* 4/2020  
CN 306840439 \* 9/2021  
CN 306885973 \* 10/2021

OTHER PUBLICATIONS

ICECO [online] URL: <https://www.amazon.com/ICECO-Portable-Refrigerator-Compressor-Insulated/dp/B0831JZC6R> (site visited: Nov. 20, 2021) (Year: 2019).\*

Alpicool [online] URL: <https://www.machineryoffers.com/offer/6121-80L-100L-125L-outdoor-camping-RV-car-Fridge-portable-mobile-deep-freezer-12v-dc-compressor-car-fridge.html> (site visited: Dec. 10, 2021) (Year: 2021).\*

\* cited by examiner

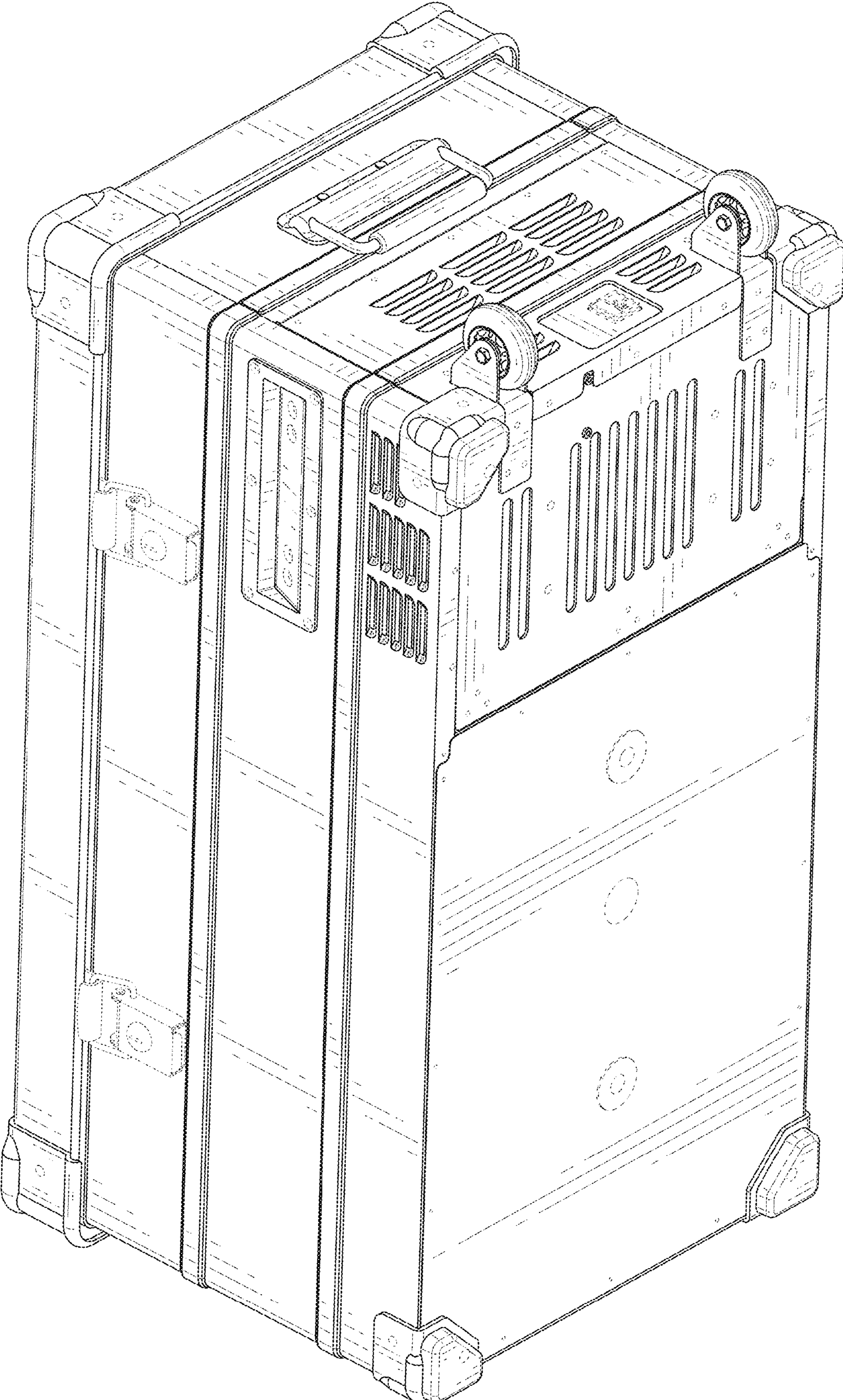


FIG. 1

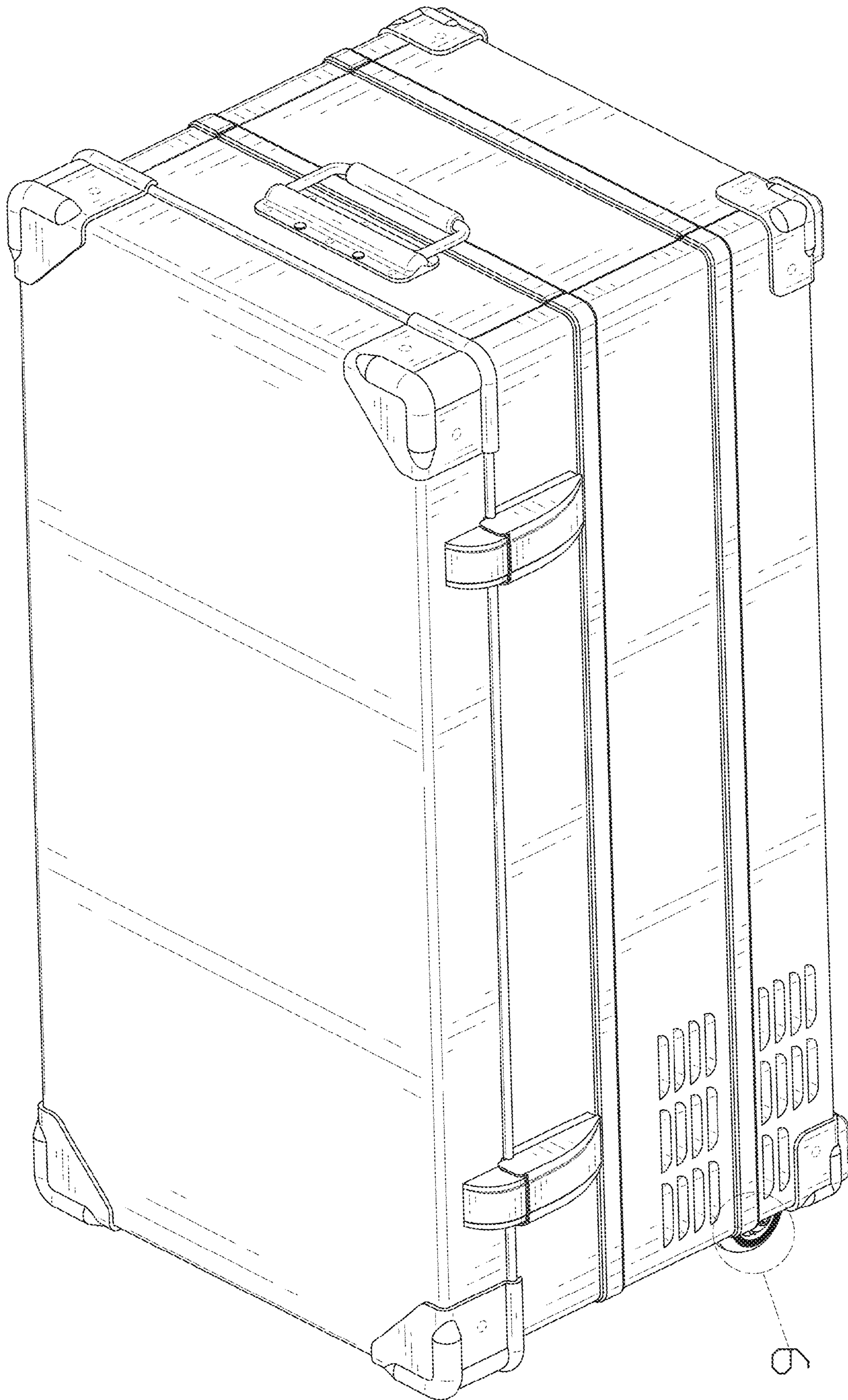


FIG. 2

9

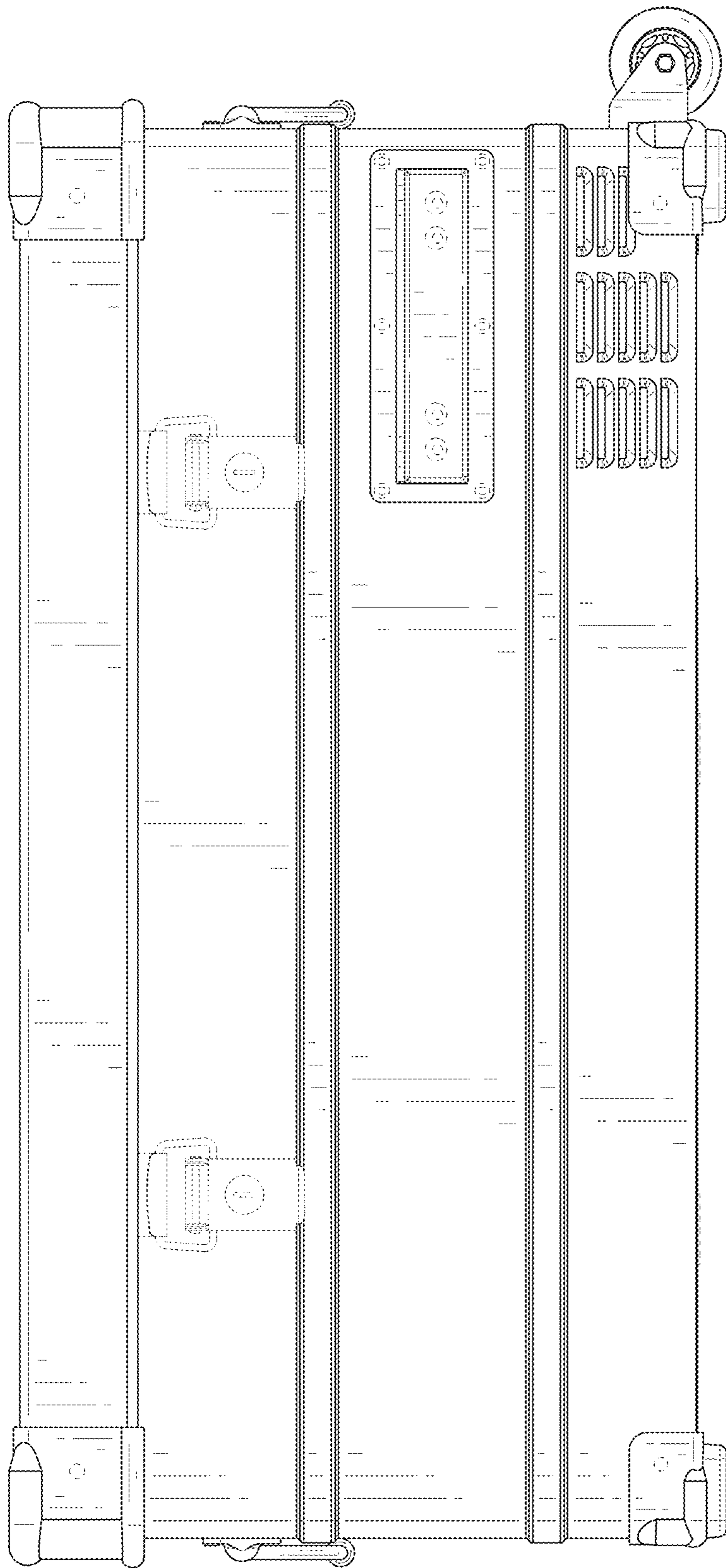


FIG. 3

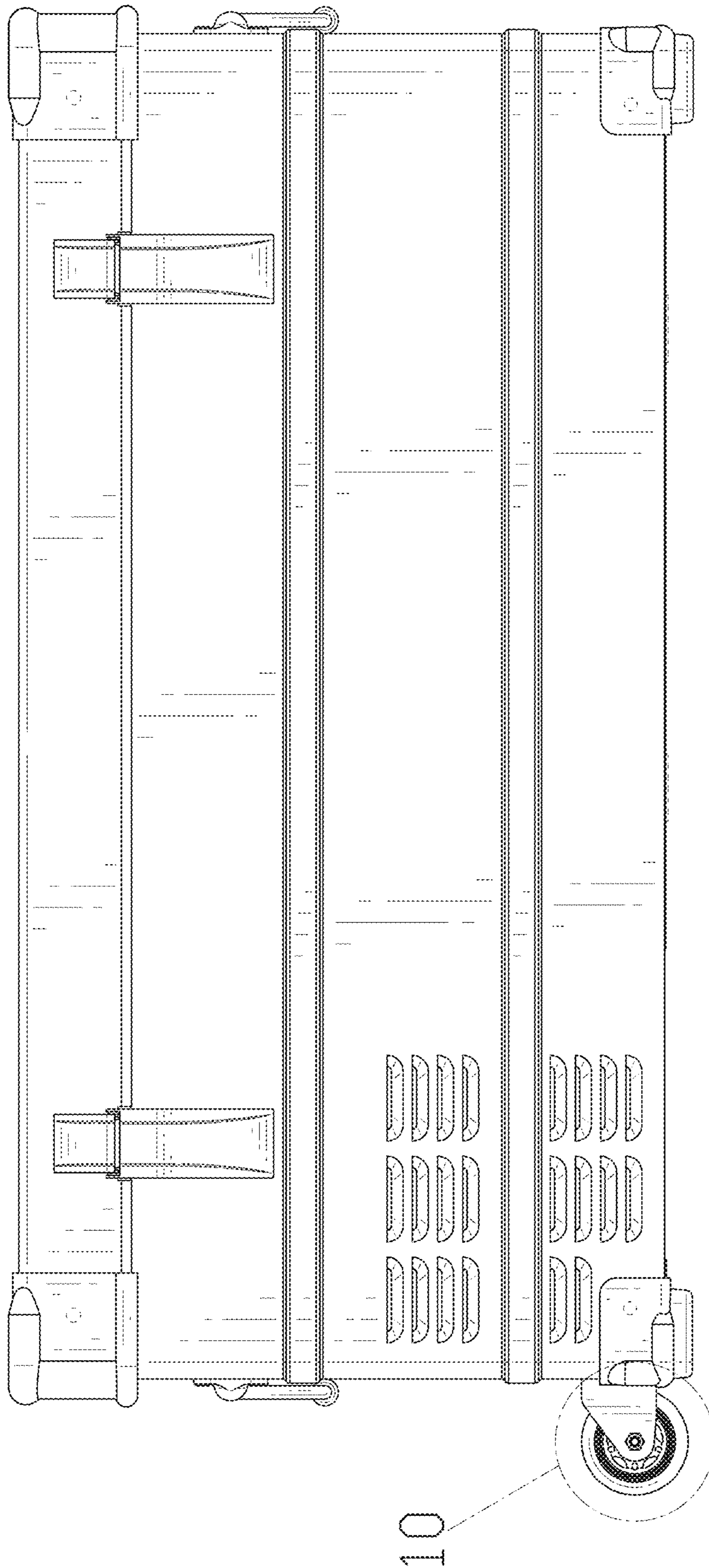


FIG. 4

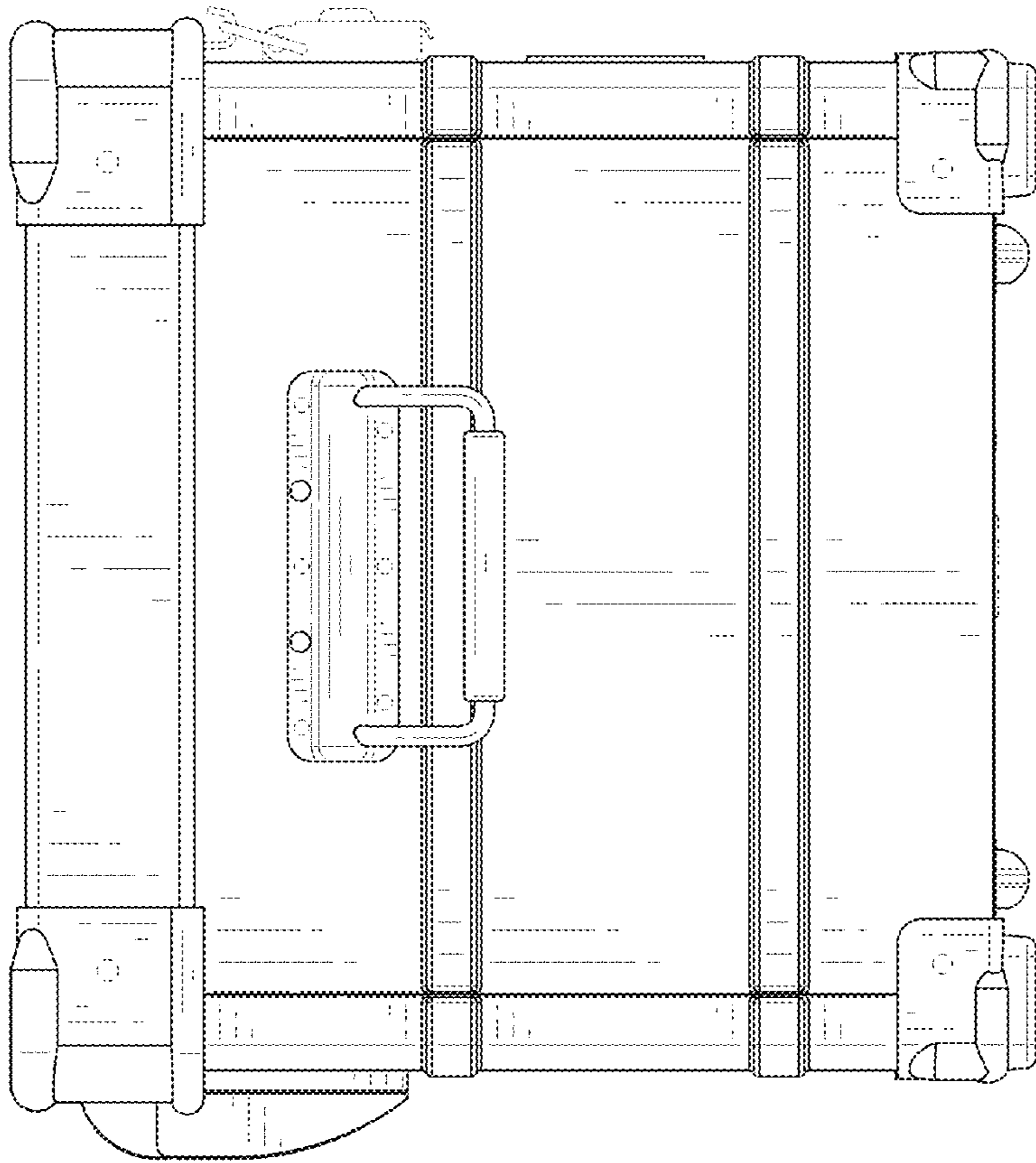


FIG. 5

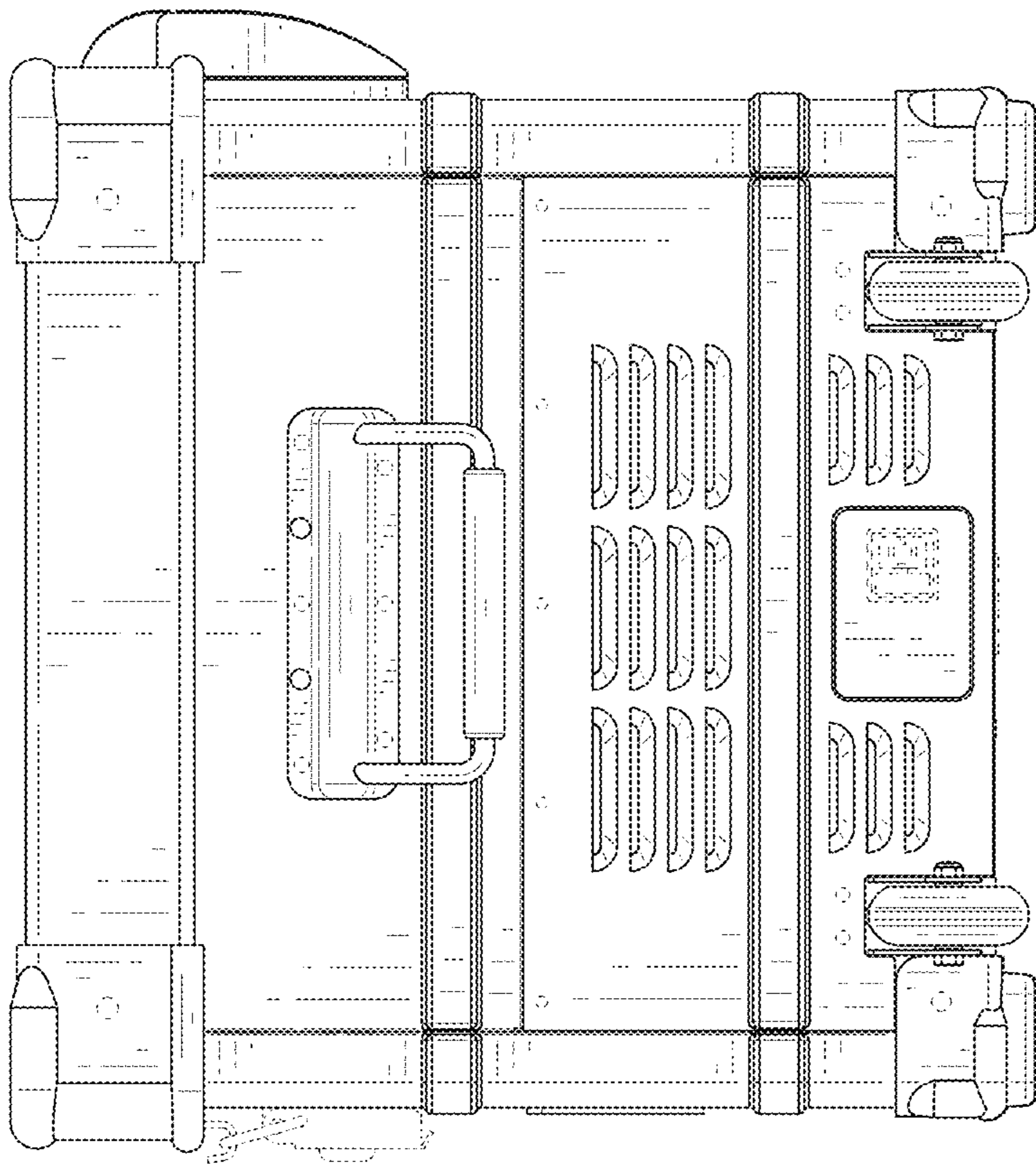


FIG. 6



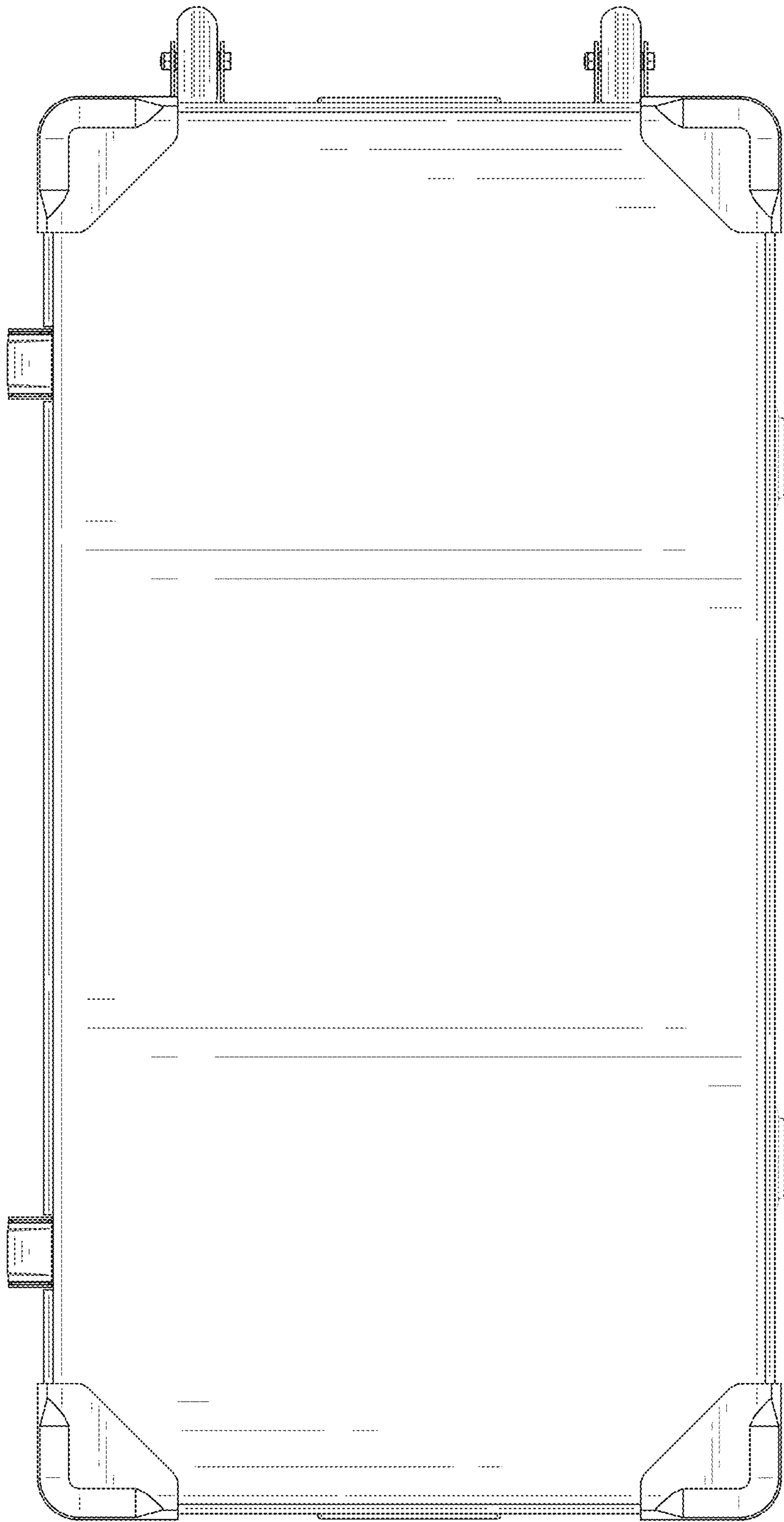


FIG. 7

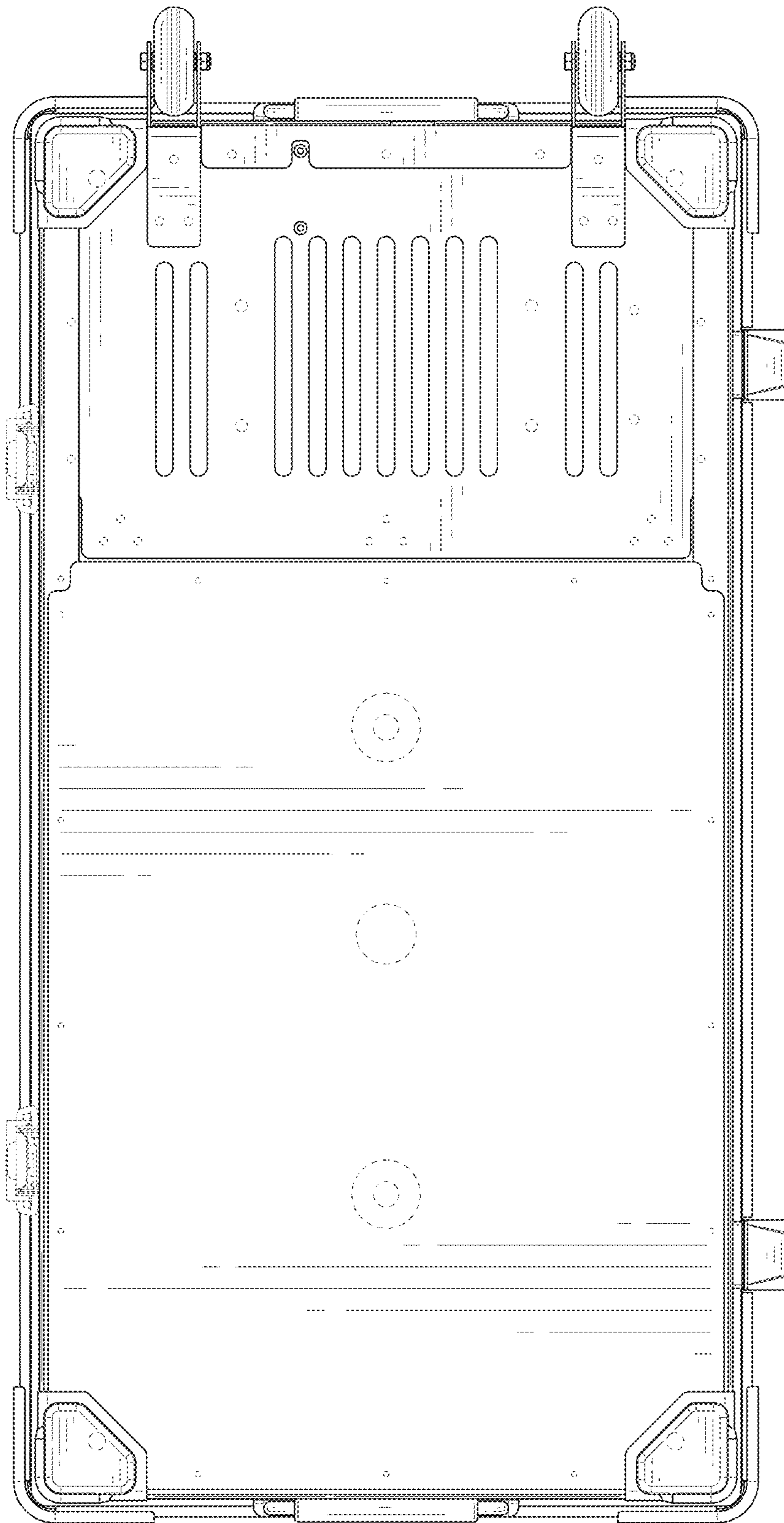


FIG. 8

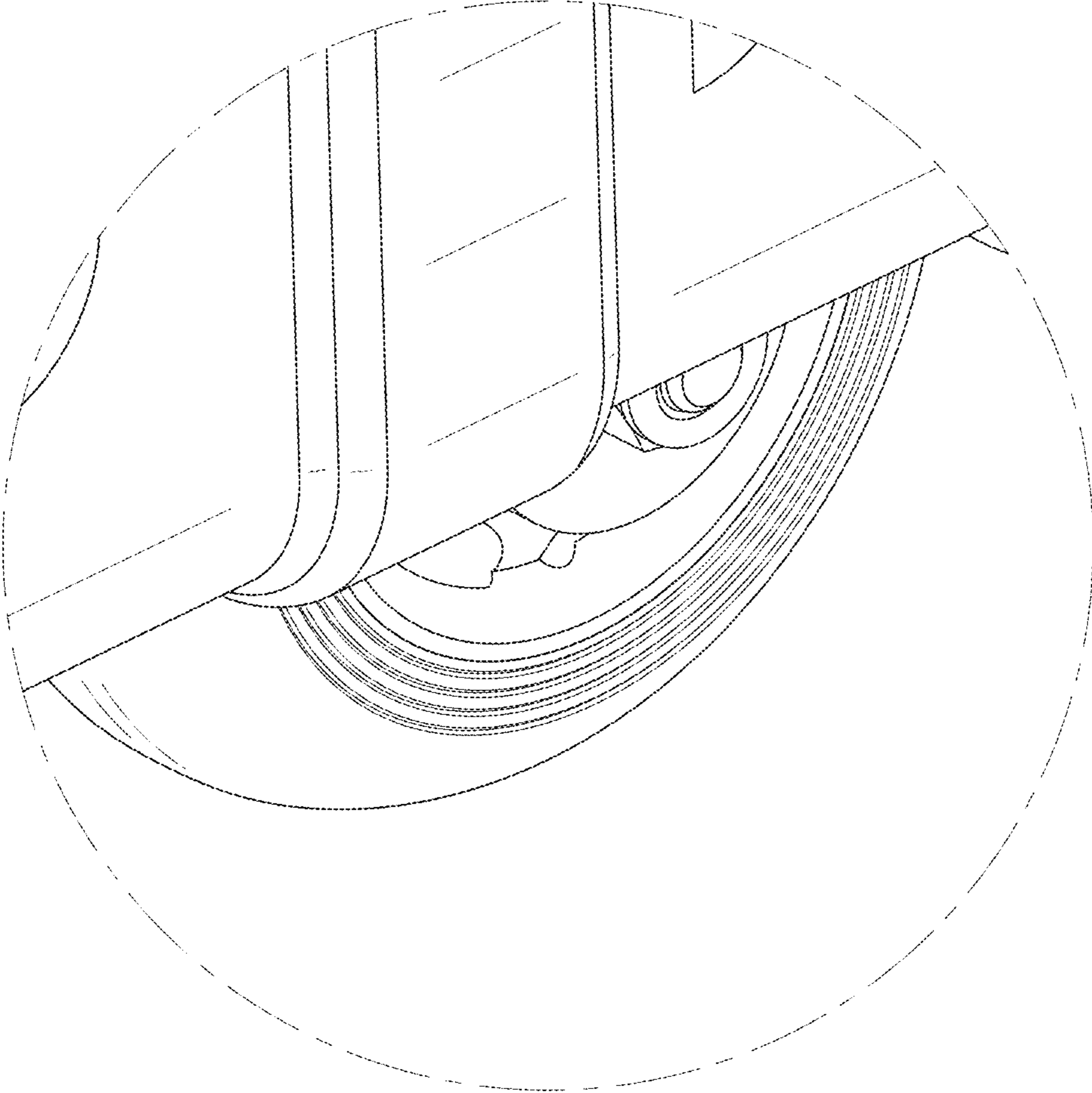


FIG. 9

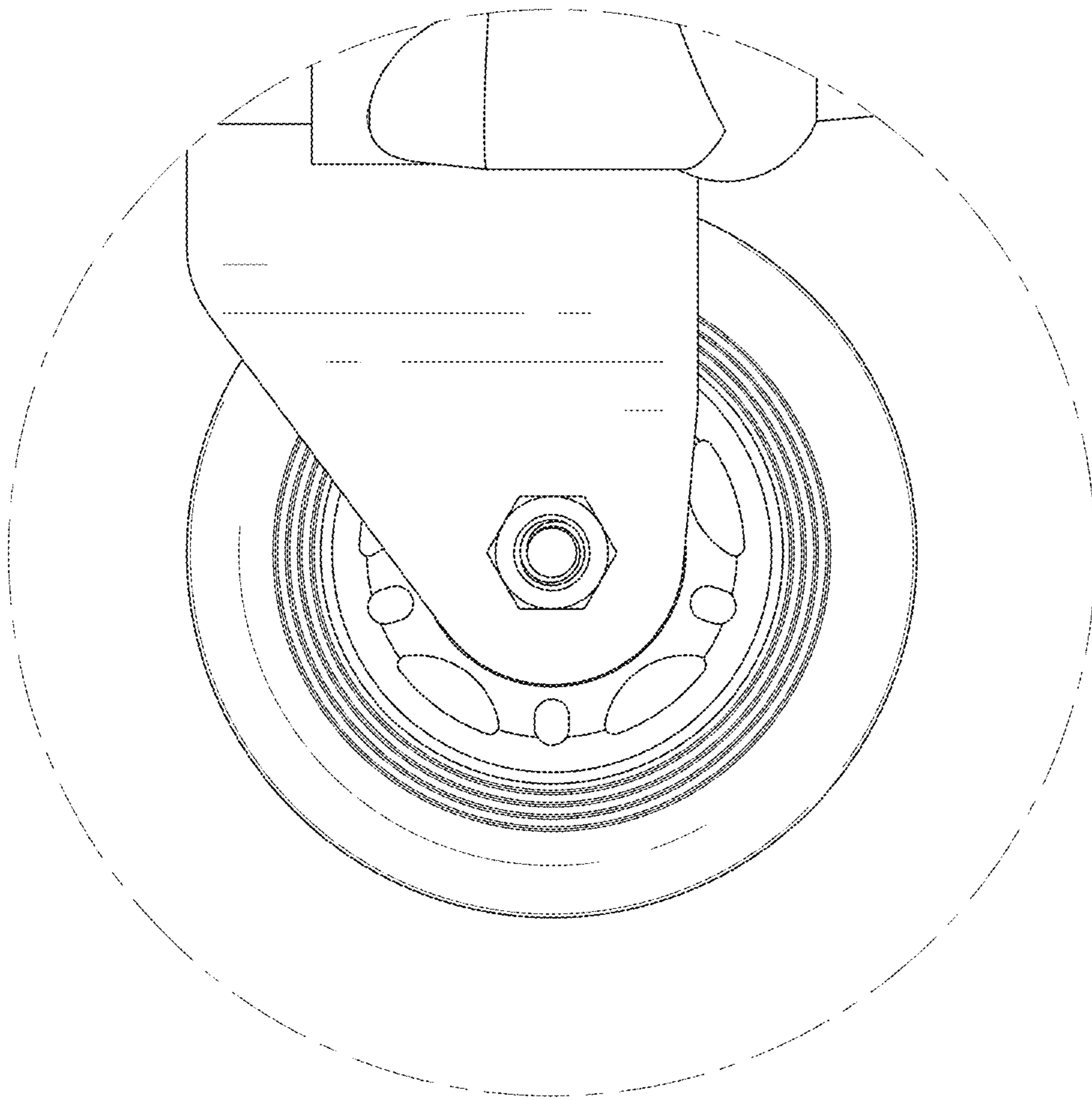


FIG. 10