



US00D959503S

(12) **United States Design Patent** (10) **Patent No.:** **US D959,503 S**
Hoogendoorn (45) **Date of Patent:** **** Aug. 2, 2022**

(54) **MOTOR HOUSING WITH PROPULSION UNIT**

(71) Applicant: **Keestrack N.V.**, Munsterbilzen (BE)

(72) Inventor: **Frederik Hoogendoorn**, Munsterbilzen (BE)

(73) Assignee: **Keestrack N.V.**, Munsterbilzen (BE)

(**) Term: **15 Years**

(21) Appl. No.: **29/758,337**

(22) Filed: **Nov. 13, 2020**

(30) **Foreign Application Priority Data**

May 14, 2020 (EM) 007935168-0001

(51) **LOC (13) Cl.** **15-03**

(52) **U.S. Cl.**
USPC **D15/28**

(58) **Field of Classification Search**
USPC D15/22-26, 10, 28
CPC E01C 23/088; E01C 19/004; B28D 1/18
See application file for complete search history.

(56) **References Cited**

U.S. PATENT DOCUMENTS

D599,825 S *	9/2009	Schneider	D15/19
D626,573 S *	11/2010	Koetting	D15/22
D650,396 S *	12/2011	Ewringmann	D15/22
D660,876 S *	5/2012	Ewringmann	D15/22
D745,062 S *	12/2015	Ewringmann	D15/19
D755,859 S *	5/2016	Loew	D15/24
D771,720 S *	11/2016	Ewringmann	D15/19
D772,948 S *	11/2016	Ewringmann	D15/19
D772,949 S *	11/2016	Ewringmann	D15/19
D772,950 S *	11/2016	Ewringmann	D15/19
D774,561 S *	12/2016	Loew	D15/28
D774,562 S *	12/2016	Loew	D15/28
D795,302 S *	8/2017	Ewringmann	D15/22
D795,303 S *	8/2017	Ewringmann	D15/22

D866,618 S *	11/2019	Wilhelmi	D15/33
2011/0236129 A1 *	9/2011	Guntert, Jr.	E01C 19/002 404/72
2016/0040369 A1 *	2/2016	Wang	E01C 19/38 404/114

(Continued)

Primary Examiner — Mark A Goodwin

(74) *Attorney, Agent, or Firm* — Henry M. Feiereisen LLC

(57) **CLAIM**

The ornamental design for a motor housing with propulsion unit, as shown and described.

DESCRIPTION

FIG. 1 is a front and right side perspective view of a motor housing with propulsion unit, showing my new design, with a right-hand side flap being closed;

FIG. 2 is a front and left side perspective view rear view thereof, with a left-hand side flap being closed;

FIG. 3 is a rear and left side perspective view rear view thereof, with the left-hand side flap being closed;

FIG. 4 is a rear and left side perspective view rear view thereof, with the left-hand side flap being open;

FIG. 5 is a front perspective view thereof, with the left-hand side flap being open;

FIG. 6 is a rear perspective view thereof, with the left-hand side flap being open;

FIG. 7 is a top, rear and right side perspective view rear view thereof;

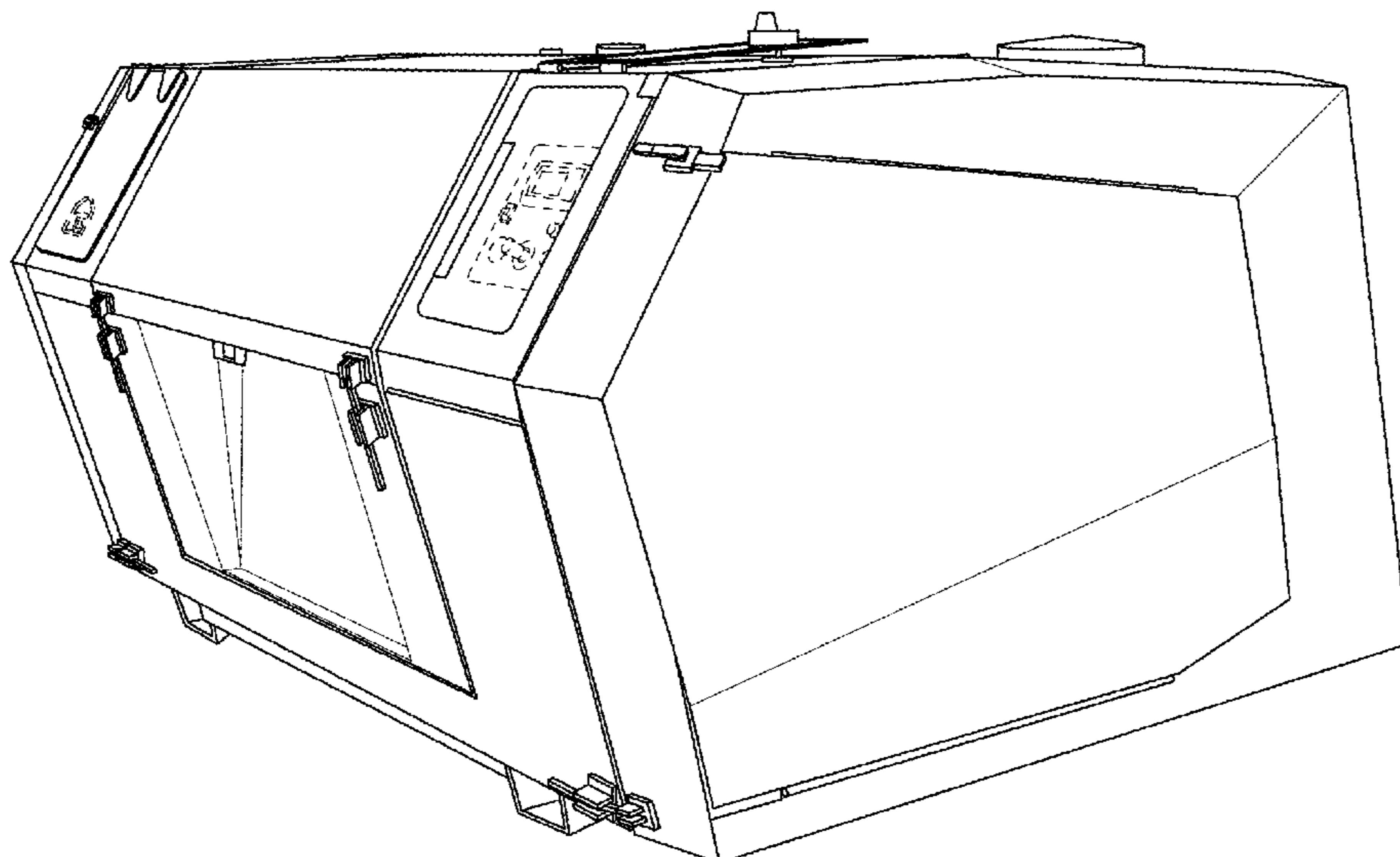
FIG. 8 is a front perspective view thereof, with the left-hand and right-hand side flaps being open;

FIG. 9 is a left side and front perspective view thereof; with the left-hand side flap being open; and,

FIG. 10 is a right side and front perspective view thereof; with the right-hand side flap being open.

The portions of the motor housing with propulsion unit that are shown in broken lines form no part of the claimed design.

1 Claim, 10 Drawing Sheets



(56)

References Cited

U.S. PATENT DOCUMENTS

2017/0030030 A1* 2/2017 Frelich E01C 19/46
2019/0024329 A1* 1/2019 Avans B28D 1/18
2019/0203426 A1* 7/2019 Guntert, Jr. B60P 1/38
2020/0199829 A1* 6/2020 Avans E01C 23/127
2020/0283969 A1* 9/2020 Repiscak E01C 19/42
2021/0010211 A1* 1/2021 Fritz E01C 19/4893

* cited by examiner

FIG. 1

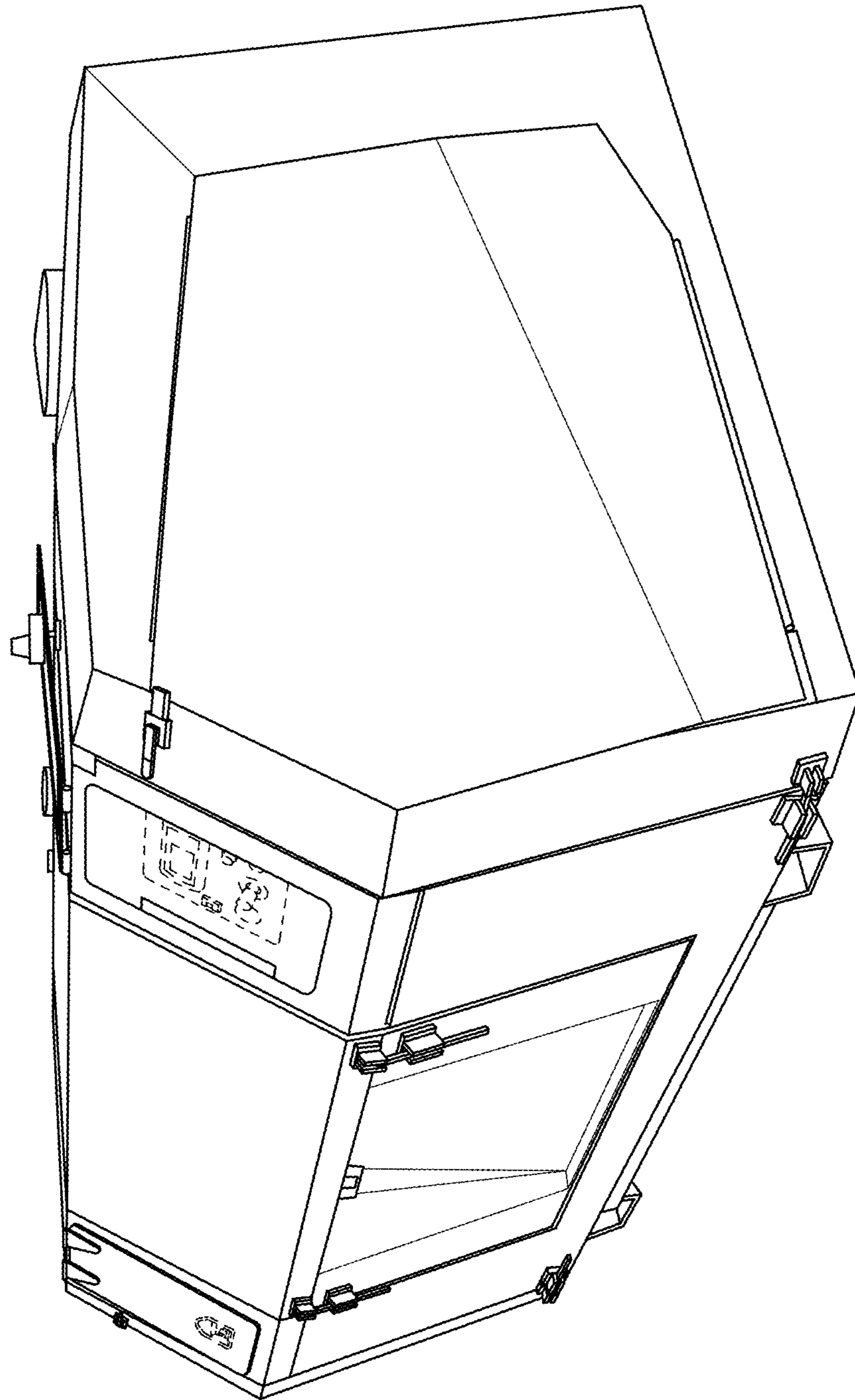


FIG. 2

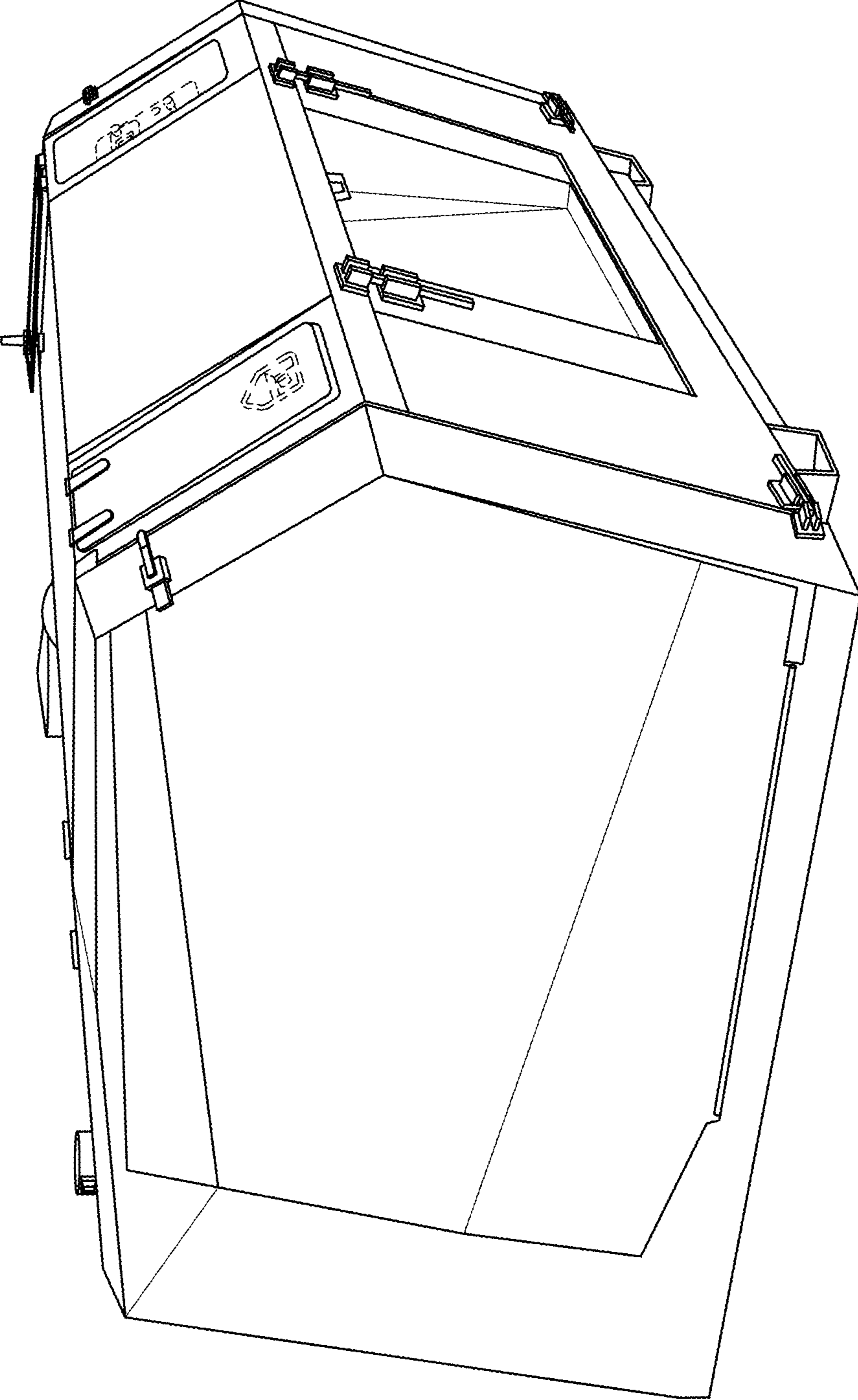


FIG. 3

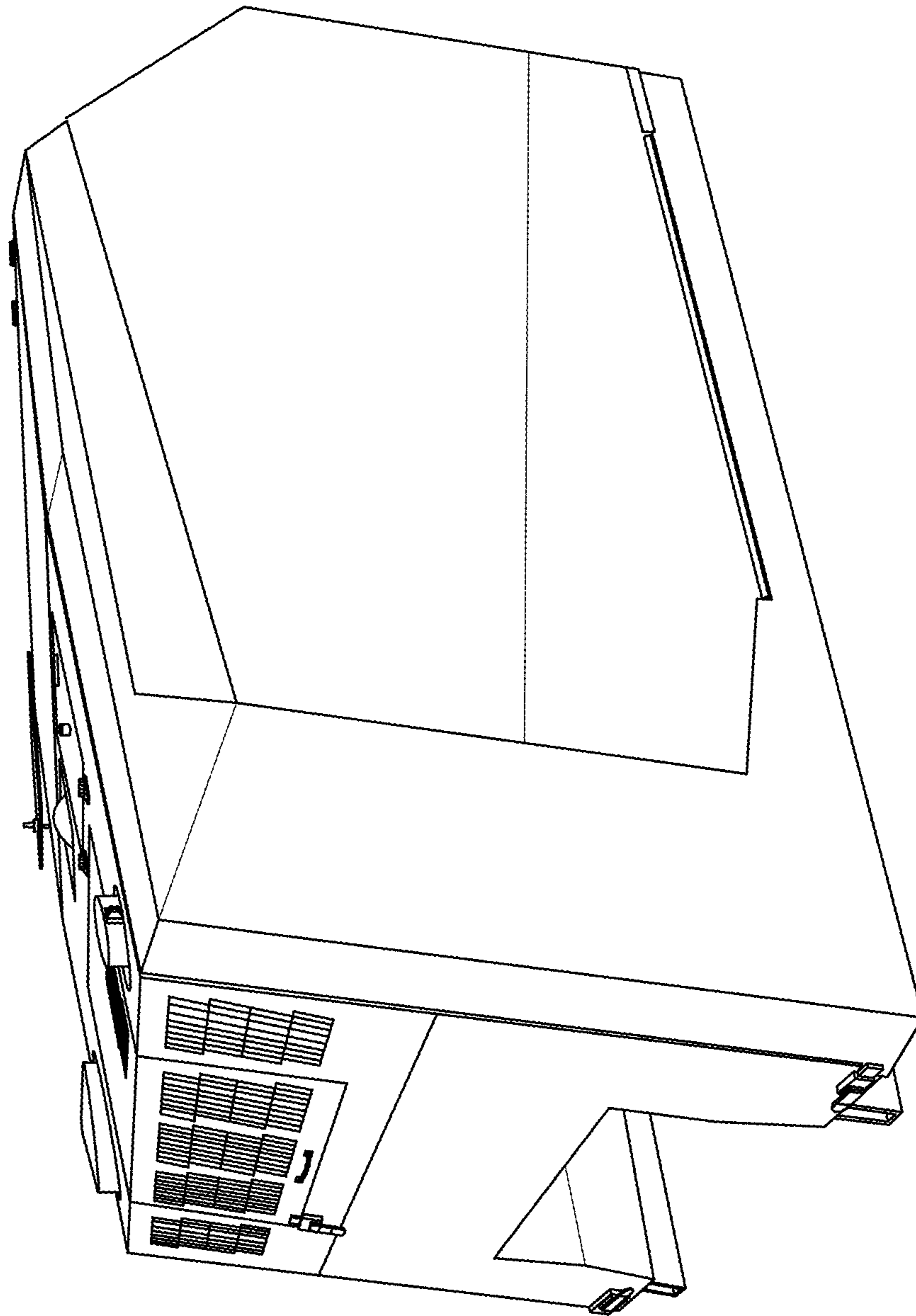


FIG. 4

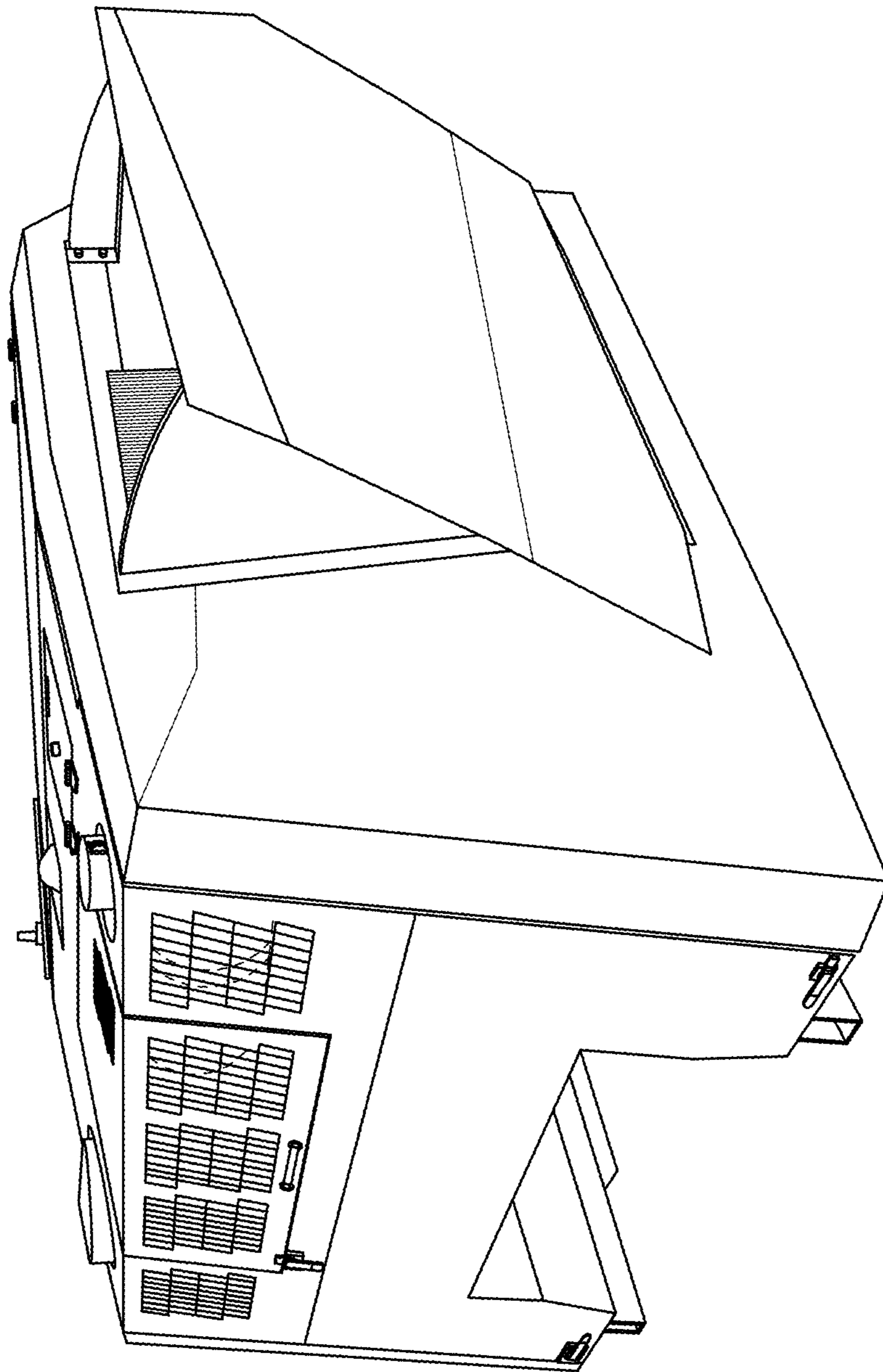


FIG. 5

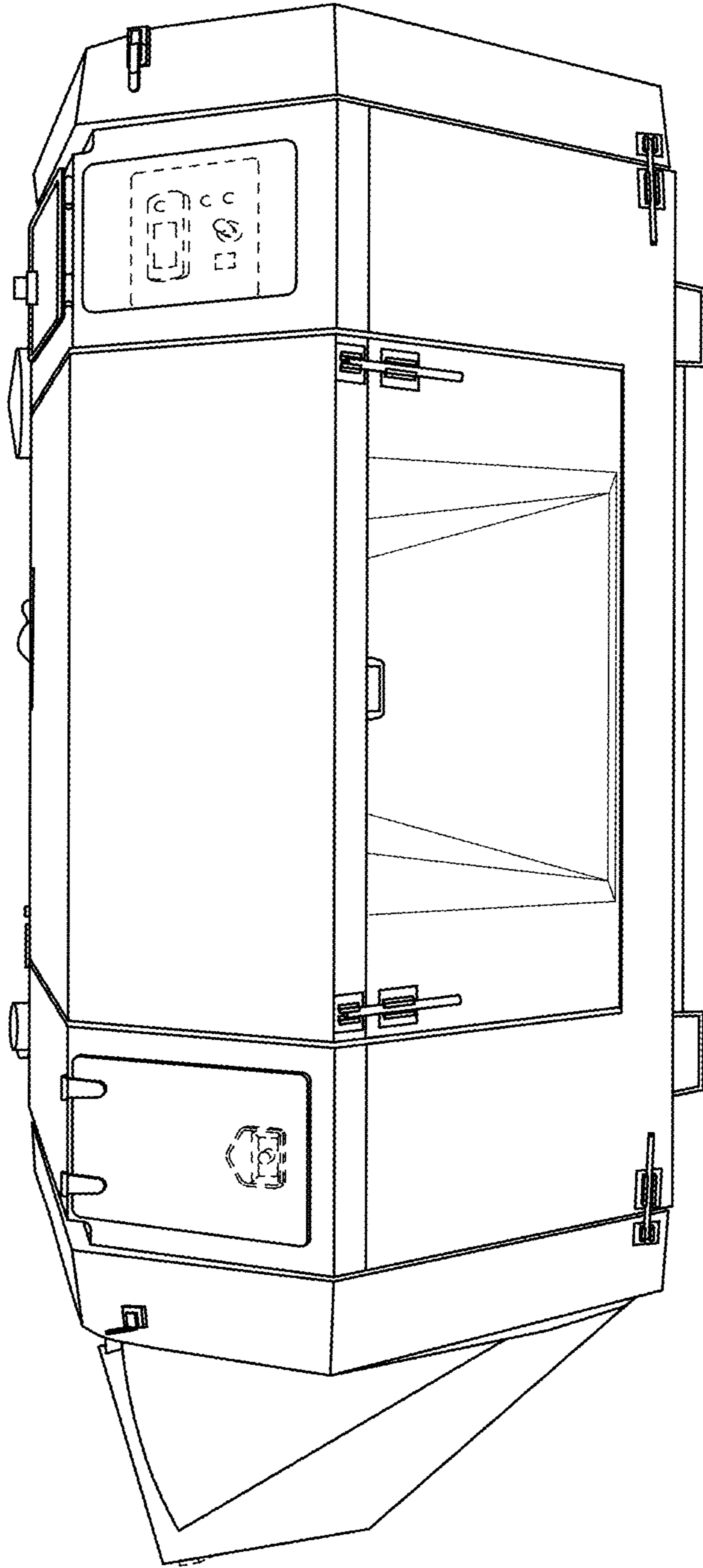


FIG. 6

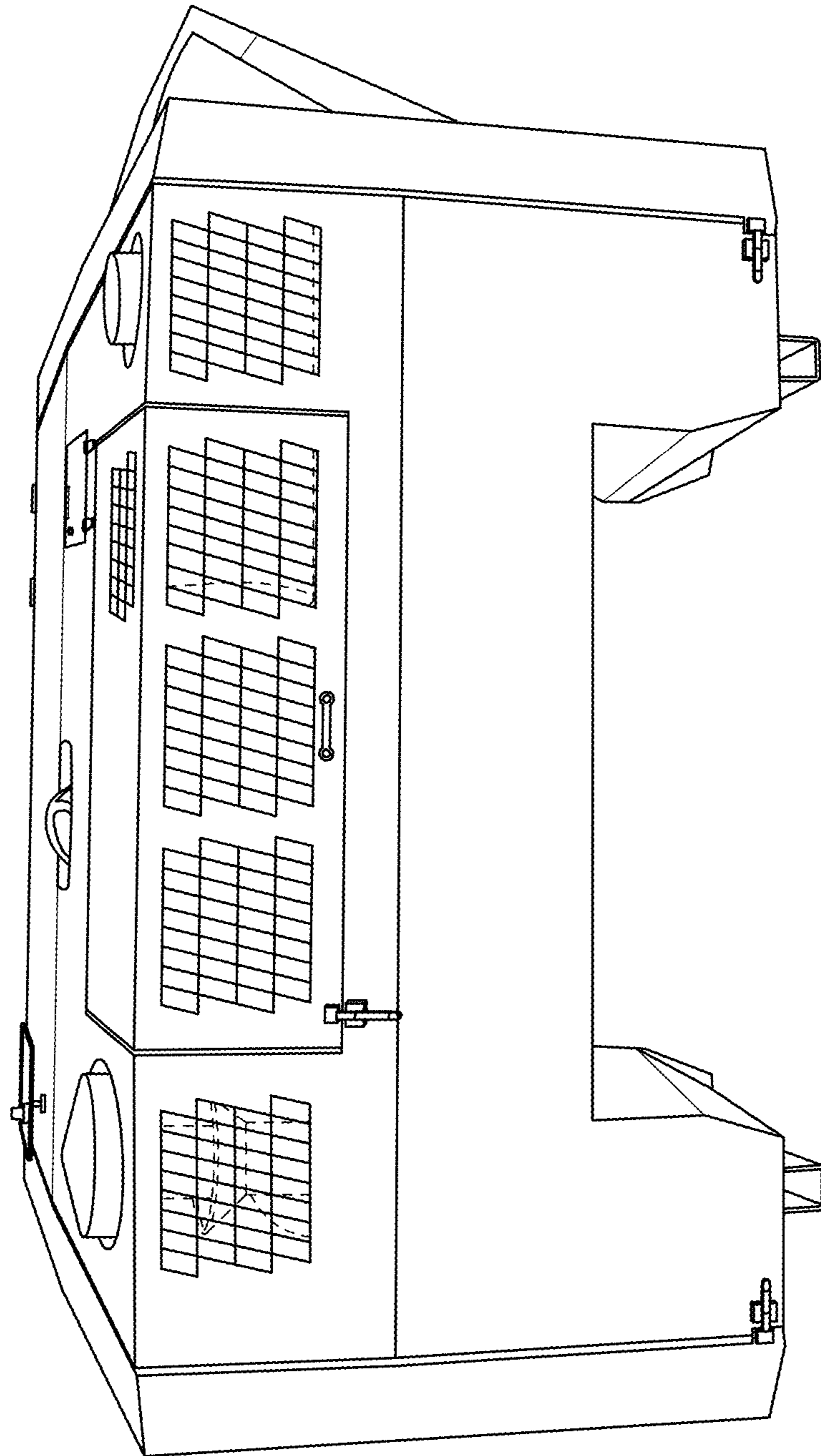


FIG. 7

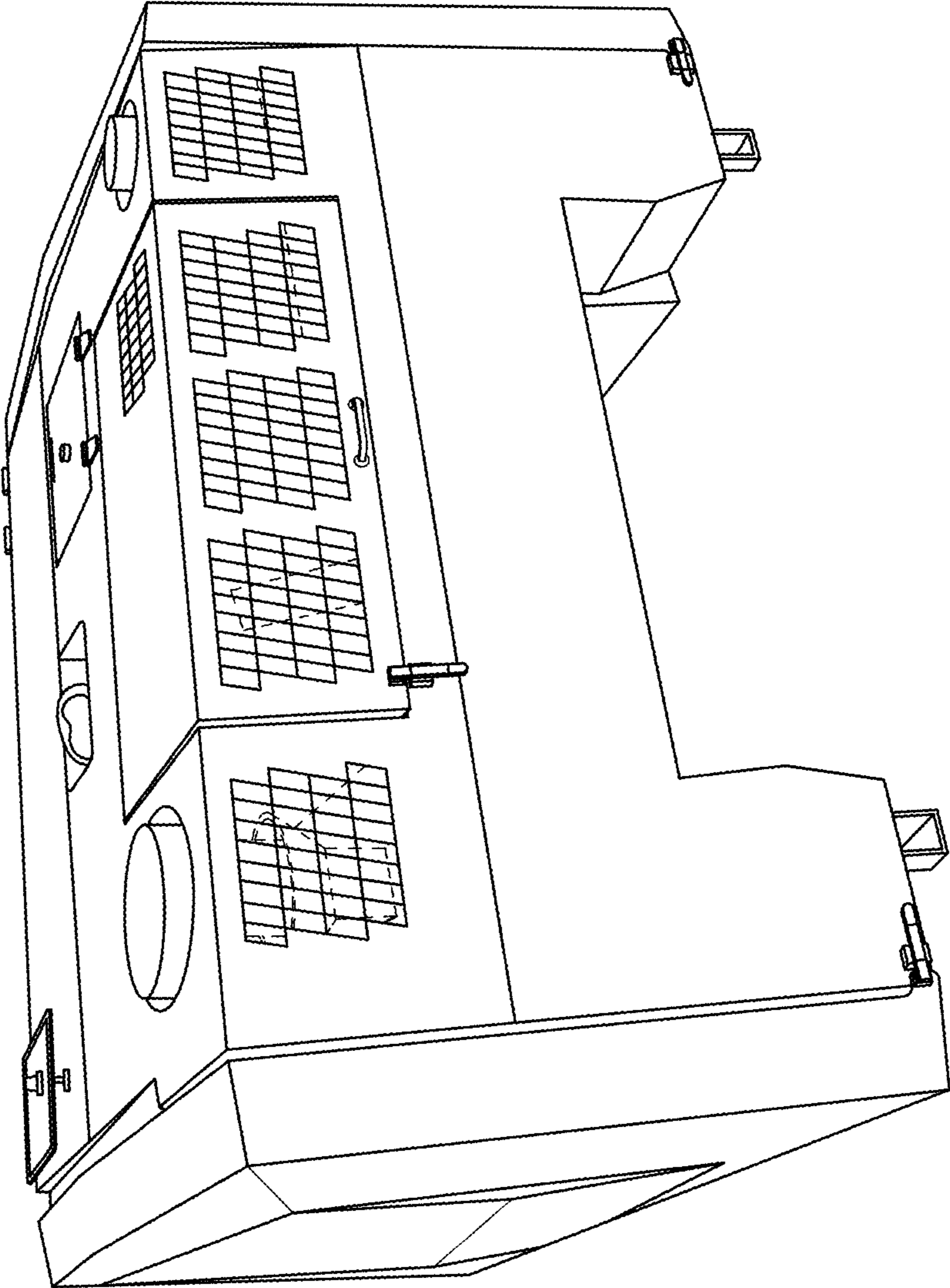


FIG. 8

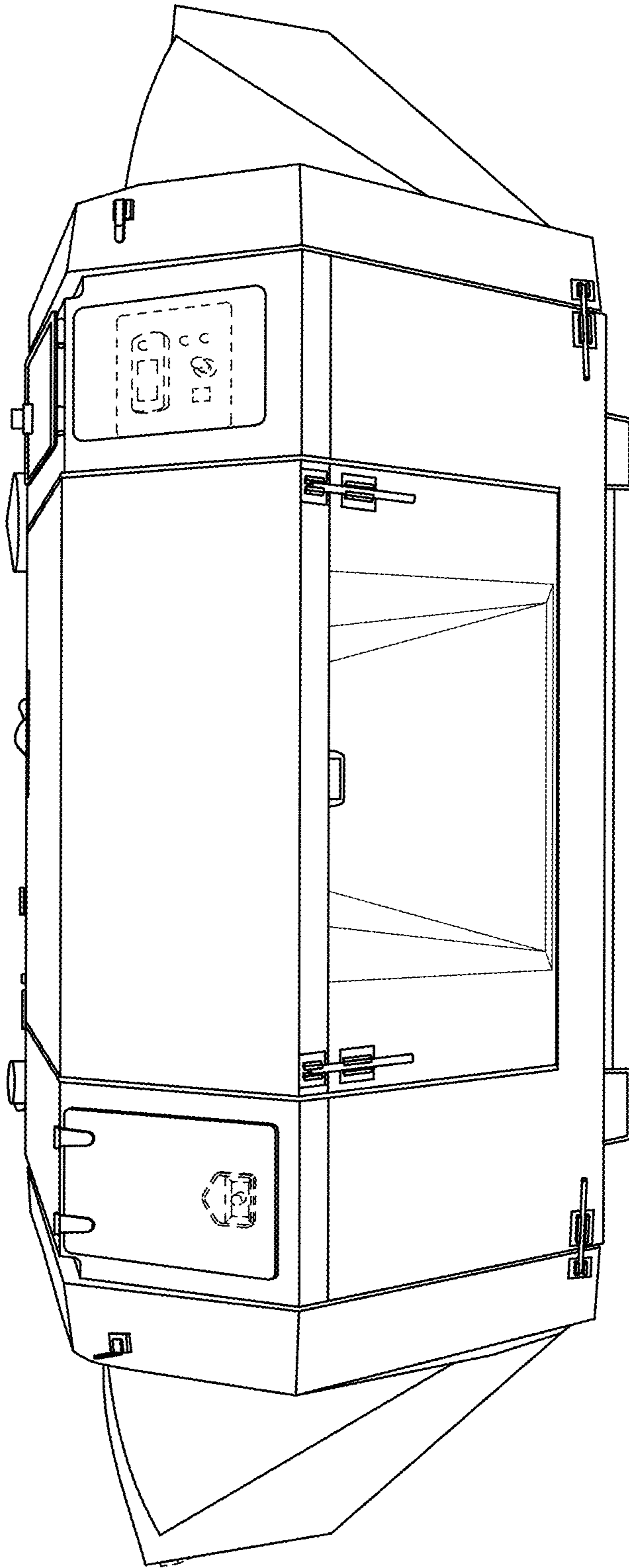


FIG. 9

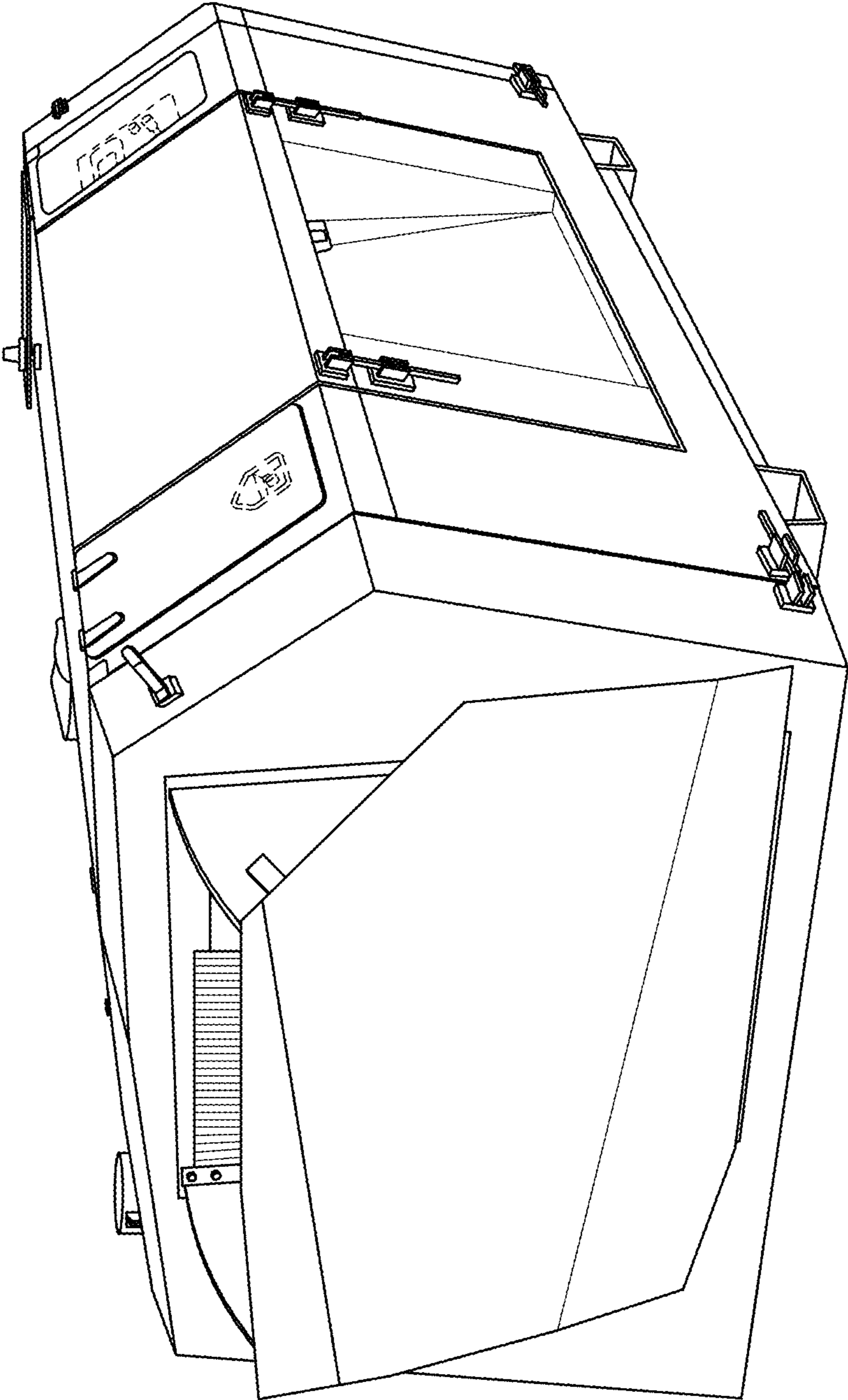


FIG. 10

