



US00D959502S

(12) **United States Design Patent** (10) **Patent No.:** **US D959,502 S**
Jacobsthal et al. (45) **Date of Patent:** **** Aug. 2, 2022**

(54) **AGRICULTURAL WORK VEHICLE**
(71) Applicant: **CNH Industrial America LLC**, New Holland, PA (US)
(72) Inventors: **Eric Michael Jacobsthal**, Elmhurst, IL (US); **John Piper**, Surprise, AZ (US); **Douglas V. Montgomery**, Downers Grove, IL (US); **Jesse Weldon Gonzales**, Fairfax, VA (US); **William Venth**, Chicago, IL (US)
(73) Assignee: **CNH Industrial America LLC**, New Holland, PA (US)
(**) Term: **15 Years**
(21) Appl. No.: **29/776,685**
(22) Filed: **Mar. 31, 2021**
(51) **LOC (13) Cl.** **12-09**
(52) **U.S. Cl.**
USPC **D15/24**
(58) **Field of Classification Search**
USPC D15/10, 22-26, 33, 28, 31; D21/431
CPC E02F 9/0841; E02F 3/3411; E02F 3/76; E02F 3/34; E02F 3/00; E02F 7/00; B62D 21/186; B62D 53/028
See application file for complete search history.

6,176,334 B1 * 1/2001 Lorenzen B62D 21/14 464/134
D514,596 S * 2/2006 Radke D15/25
D540,829 S * 4/2007 Johnson D15/25
D587,727 S * 3/2009 Vos B62D 55/065 D15/24
D592,682 S * 5/2009 Haubrich D15/20
D607,473 S * 1/2010 Haubrich D15/20
D614,204 S * 4/2010 Thompson D15/24
D652,061 S * 1/2012 Hiraoka D15/23
D652,062 S * 1/2012 Hiraoka D15/23
D657,394 S * 4/2012 Chapman D15/24
D671,562 S * 11/2012 Adamson D15/26
D693,853 S * 11/2013 Hiraoka D15/25
D697,089 S * 1/2014 Suzuki D15/23
D742,424 S * 11/2015 Turner D15/25
D756,420 S * 5/2016 Okuyama D15/25
D819,087 S * 5/2018 Ulmefors D15/25
D819,705 S * 6/2018 Ulmefors D15/25
D896,849 S * 9/2020 Wu D15/25
D915,469 S * 4/2021 Ninomiya D15/25

(Continued)

Primary Examiner — Mark A Goodwin
(74) *Attorney, Agent, or Firm* — Rickard K. DeMille; Rebecca L. Henkel

(57) **CLAIM**

The ornamental design for an agricultural work vehicle, as shown and described.

DESCRIPTION

FIG. 1 is a front perspective view of an agricultural work vehicle according to an exemplary embodiment of the present subject matter.
FIG. 2 is a front view of the vehicle illustrated in FIG. 1.
FIG. 3 is a first side view of the vehicle illustrated in FIG. 1.
FIG. 4 is a second side view of the vehicle illustrated in FIG. 1; and,
FIG. 5 is a top view of the vehicle illustrated in FIG. 1.

1 Claim, 5 Drawing Sheets

(56) **References Cited**
U.S. PATENT DOCUMENTS
D326,858 S * 6/1992 Skeel D15/25
D364,408 S * 11/1995 Bryant D15/25
5,632,350 A * 5/1997 Gauvin B60D 1/00 280/492
D410,930 S * 6/1999 Kim D15/25
D412,506 S * 8/1999 Boyer D15/25
D419,618 S * 1/2000 Park D21/537
6,116,362 A * 9/2000 Schubert B62D 12/00 180/9.46



(56)

References Cited

U.S. PATENT DOCUMENTS

2019/0015971 A1* 1/2019 Carrasco Zanini ... B60B 19/006
2020/0062306 A1* 2/2020 Shoshan B60D 1/173
2020/0369501 A1* 11/2020 Zou B66F 9/07504

* cited by examiner



FIG. 1

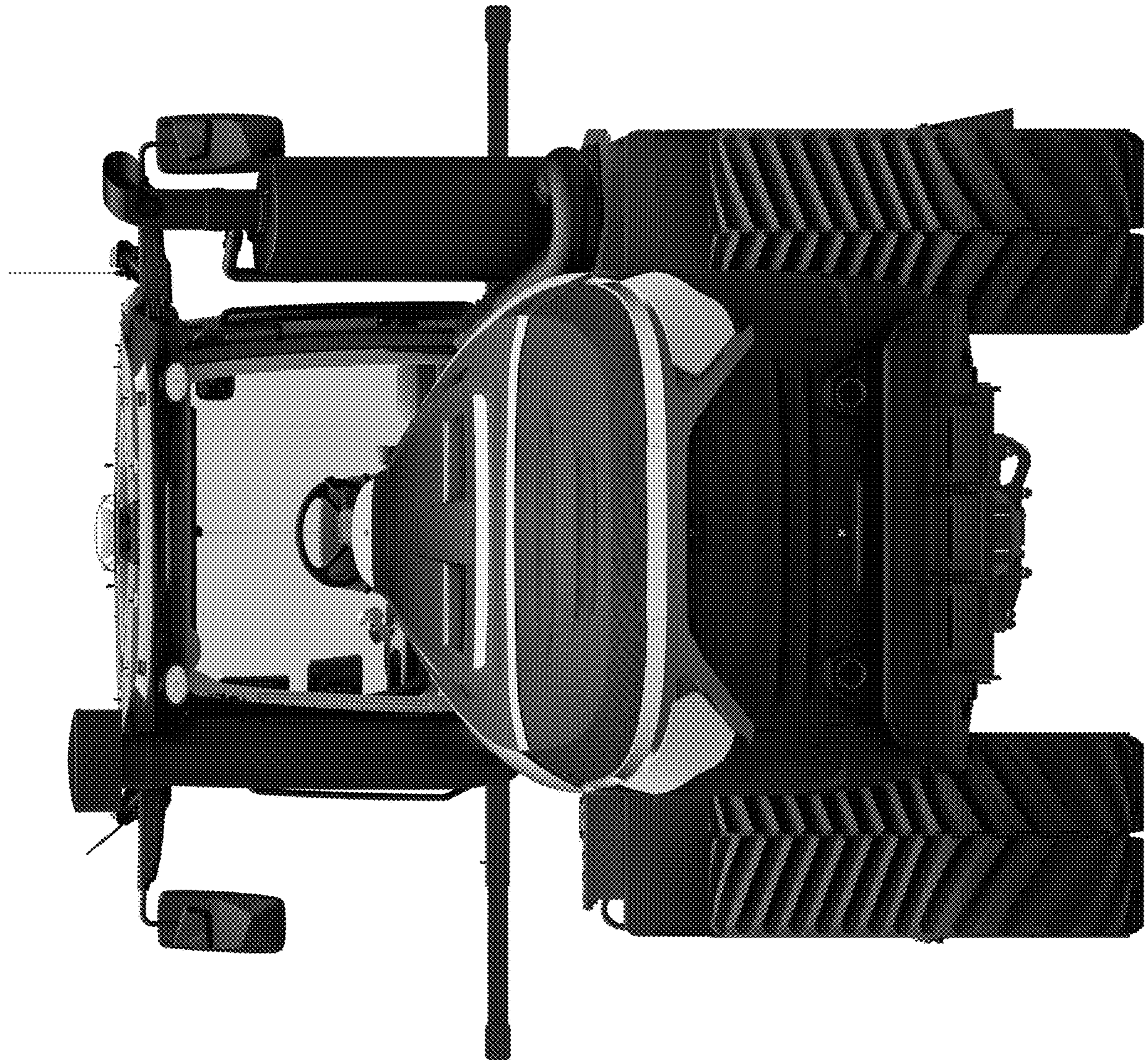


FIG. 2

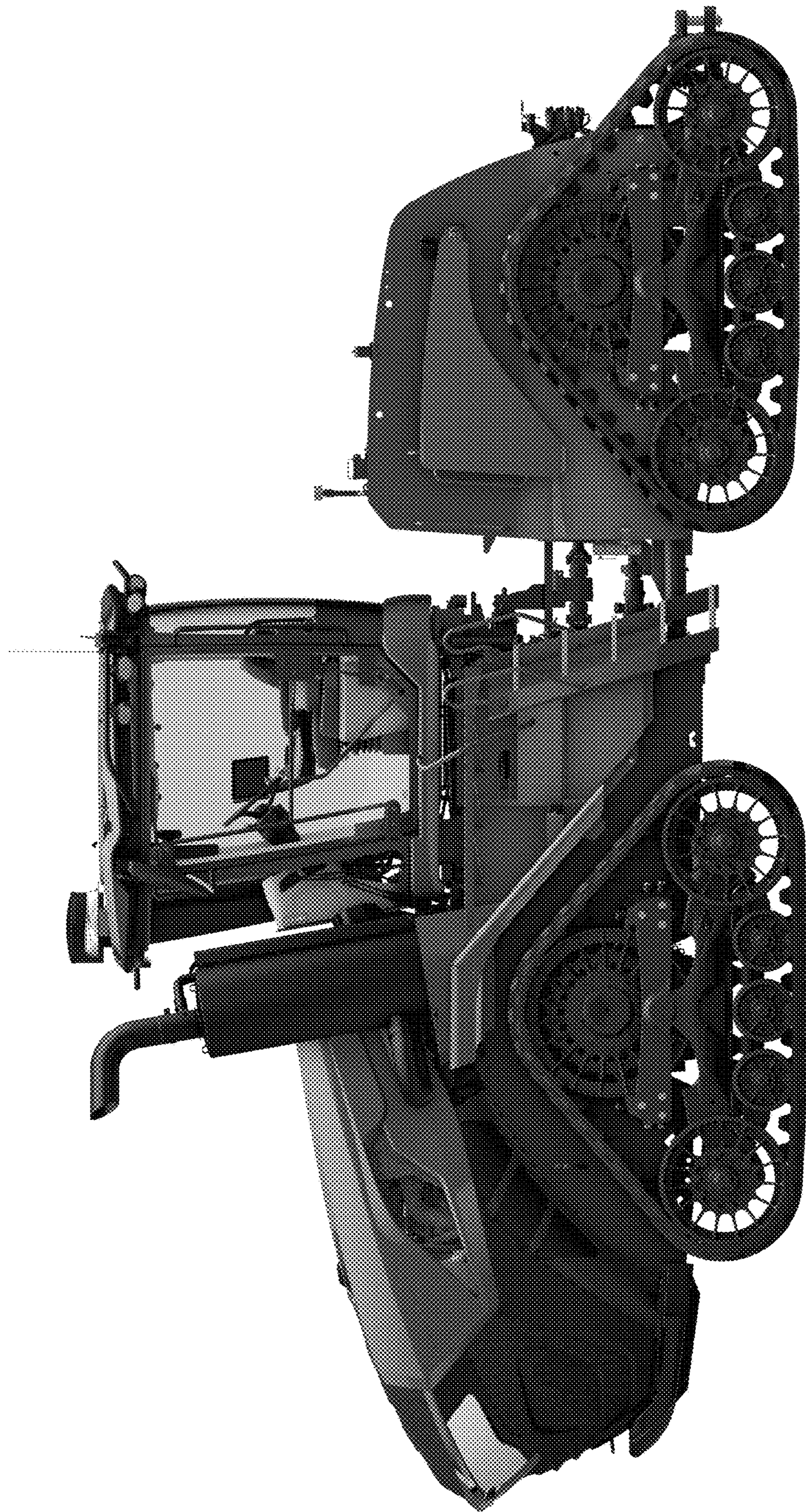


FIG. 3

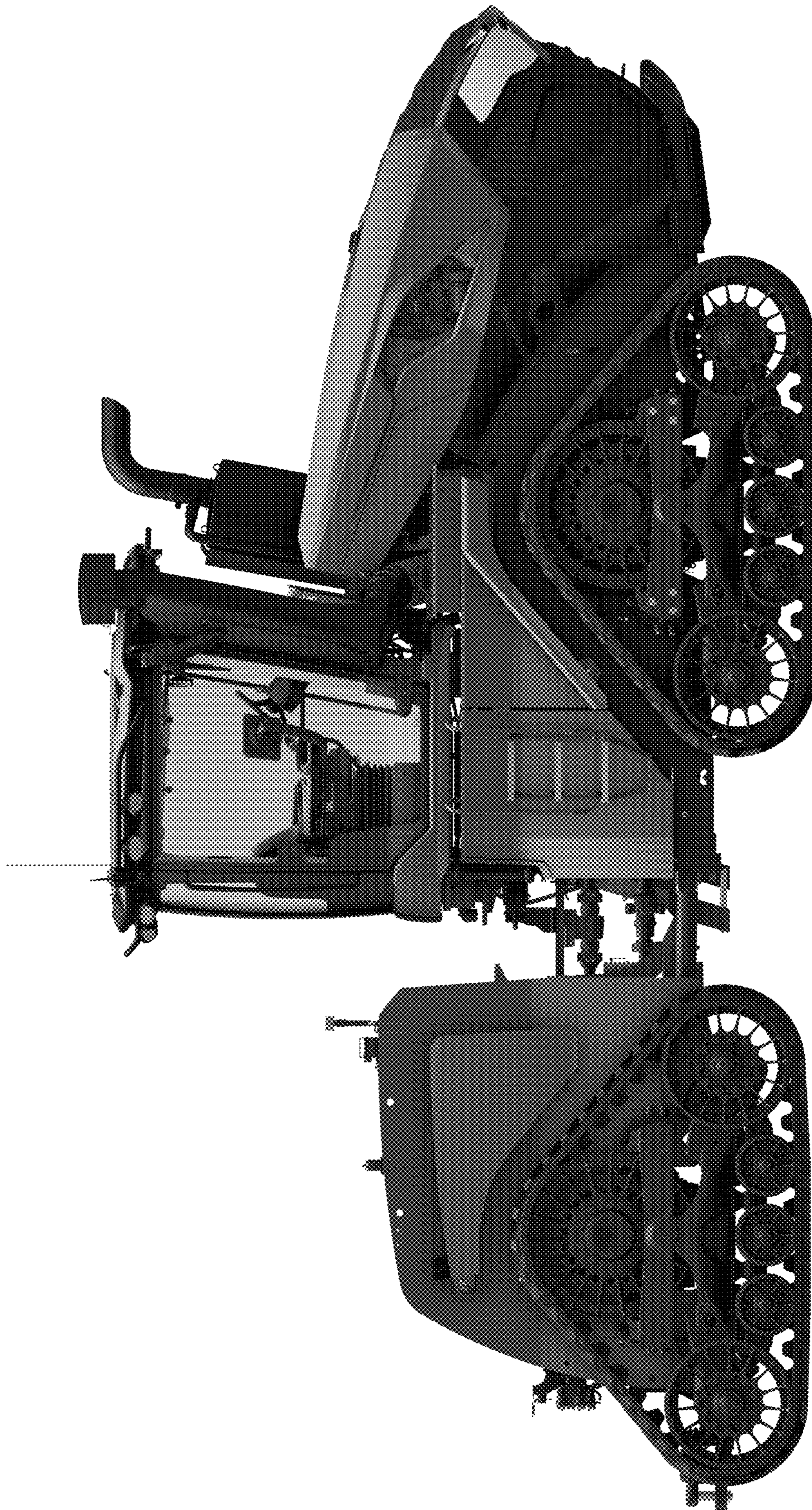


FIG. 4

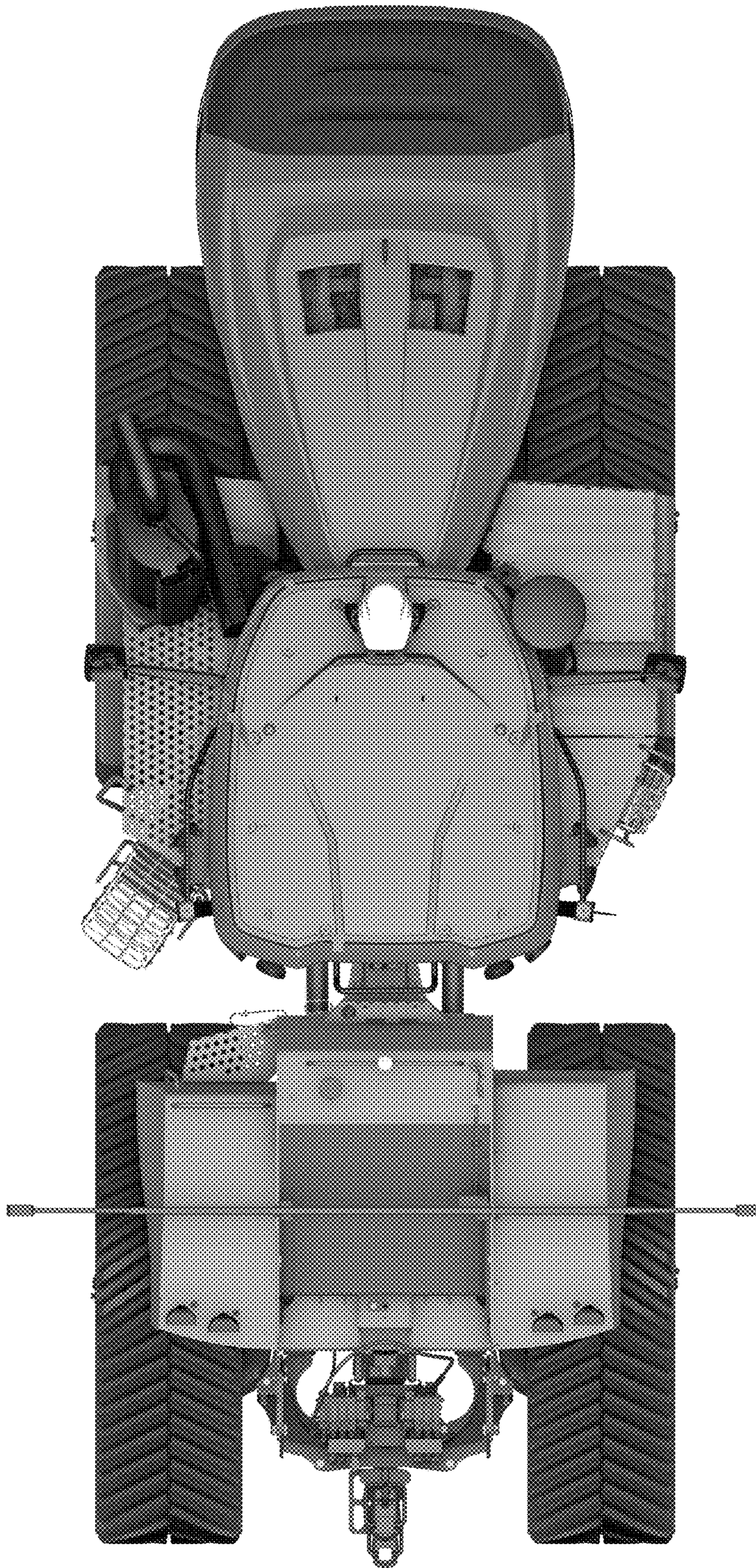


FIG. 5