



US00D959500S

(12) **United States Design Patent** (10) **Patent No.:** **US D959,500 S**  
**Whitman** (45) **Date of Patent:** **\*\* Aug. 2, 2022**

(54) **SIFTER PAN**

D666,086 S \* 8/2012 Mundhra ..... D8/499  
8,646,614 B2 2/2014 Peterson  
8,678,192 B1 3/2014 Pung et al.  
(Continued)

(71) Applicant: **Lucian D. Whitman**, Lake Isabella,  
CA (US)

(72) Inventor: **Lucian D. Whitman**, Lake Isabella,  
CA (US)

(\*\*) Term: **15 Years**

(21) Appl. No.: **29/768,858**

(22) Filed: **Feb. 1, 2021**

(51) **LOC (13) Cl.** ..... **15-03**

(52) **U.S. Cl.**

USPC ..... **D15/21; D15/147; D7/667**

(58) **Field of Classification Search**

USPC ..... **D15/21, 147; D7/667**

CPC .... **B03B 5/02; B03B 5/28; B03B 5/48; B03B**

**5/68; B03B 5/58; B03B 5/26; B03B 5/06;**

**B03B 7/00; B07B 1/46; B07B 1/02**

See application file for complete search history.

(56) **References Cited**

**U.S. PATENT DOCUMENTS**

- 2,328,436 A \* 8/1943 Eickemeyer ..... B01D 29/055  
210/454
- 4,289,241 A 9/1981 Litrap
- 4,472,269 A 9/1984 Swick
- 4,851,112 A 7/1989 Schlensker
- 5,190,158 A \* 3/1993 Remias ..... B03B 5/02  
209/397
- 5,423,430 A \* 6/1995 Zaffiro ..... B07B 1/4672  
209/403
- 5,447,239 A \* 9/1995 Tubbs, Jr. .... B03B 5/74  
209/451
- 5,622,266 A \* 4/1997 Curtis ..... B07B 1/04  
209/365.1
- D420,864 S \* 2/2000 Kenney ..... D7/667
- D475,727 S \* 6/2003 Kelava ..... B03B 5/06  
D15/147
- D480,096 S \* 9/2003 Hovian ..... D15/147
- 8,113,355 B1 \* 2/2012 Peterson ..... B03B 5/02  
241/24.1

**FOREIGN PATENT DOCUMENTS**

GB 4225 A 11/1907

**OTHER PUBLICATIONS**

“Best Sluice Box & Gold-Panning Kit Reviews (2019): The Gear We Recommend,” Finding a Fortune website: <https://www.findingafortune.net/best-sluice-box-gold-panning-kit/>.

(Continued)

*Primary Examiner* — Mark A Goodwin

(74) *Attorney, Agent, or Firm* — Nath, Goldberg & Meyer; Richard C. Litman

(57) **CLAIM**

The ornamental design for a sifter pan, as shown and described.

**DESCRIPTION**

FIG. 1 is a top perspective view of a sifter pan showing my new design;

FIG. 2 is a bottom perspective view thereof;

FIG. 3 is a top view thereof;

FIG. 4 is a bottom view thereof;

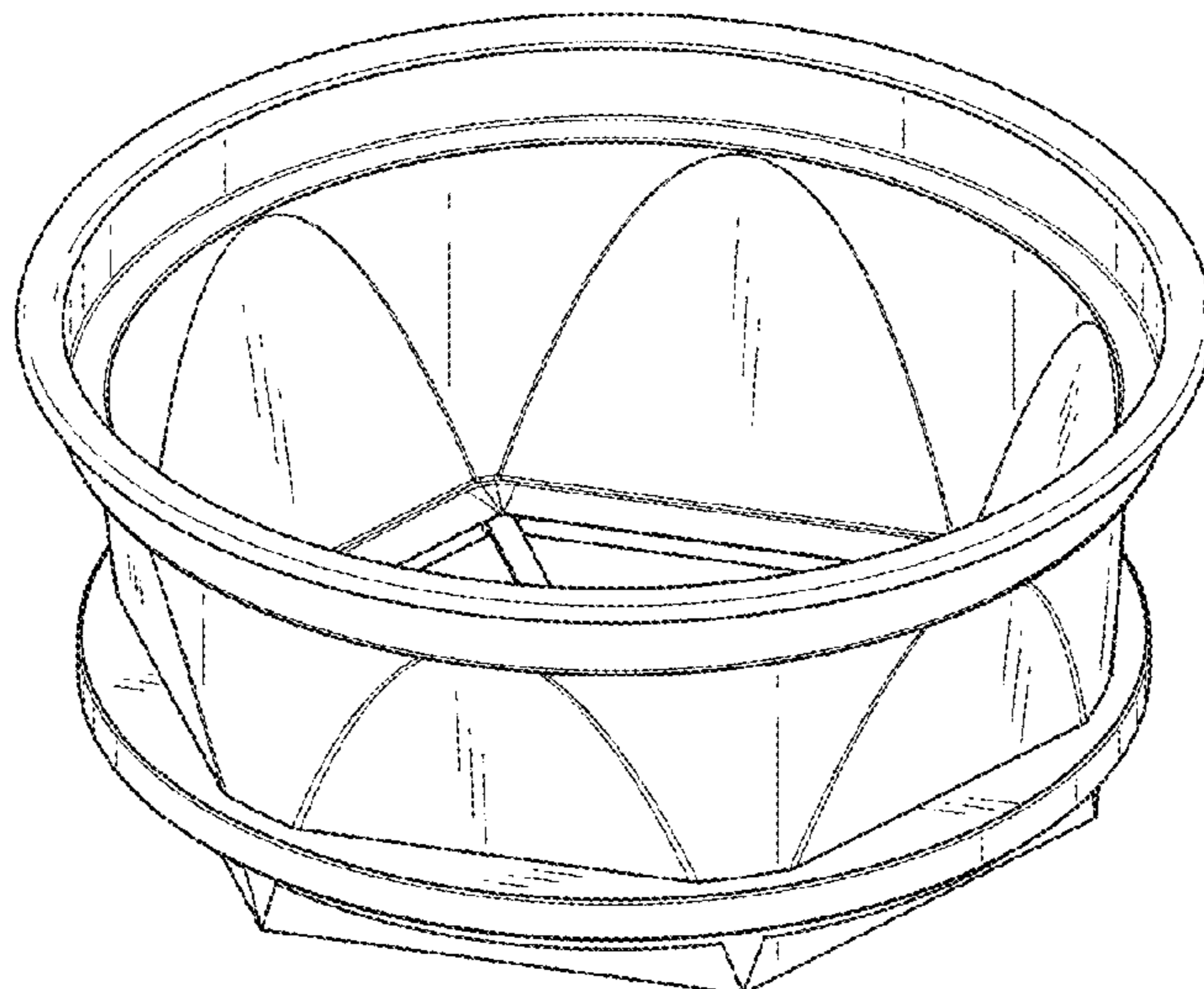
FIG. 5 is a right side elevational view thereof, with the left side elevational view being identical thereto;

FIG. 6 is a front elevational view thereof, with the rear elevational view being identical thereto; and,

FIG. 7 is an exploded perspective view thereof as seen from the bottom of the pan.

The broken line showing of a screen in FIGS. 4 and 7 is for illustrative purposes only and forms no part of the claimed design.

**1 Claim, 4 Drawing Sheets**



(56)

References Cited

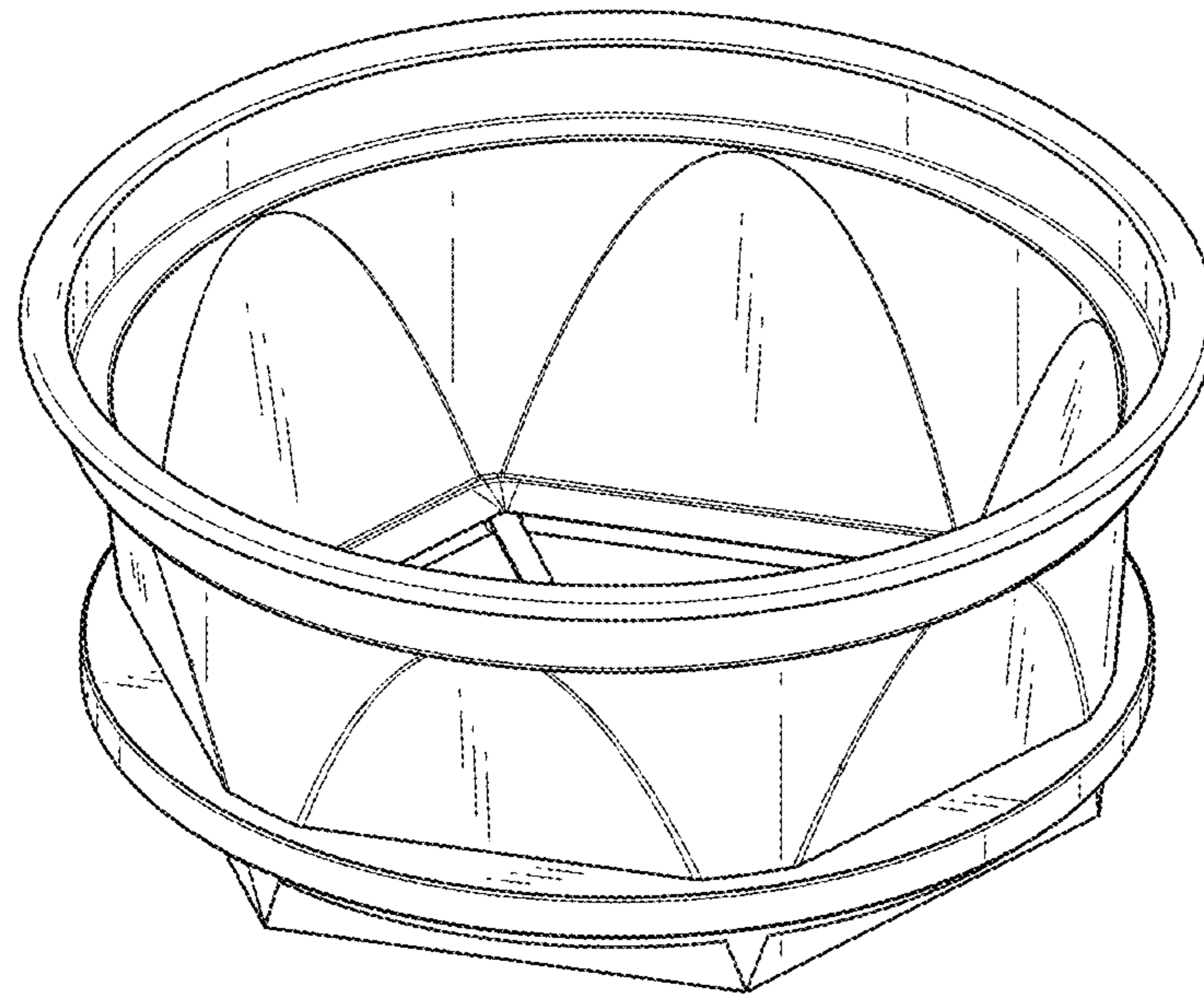
U.S. PATENT DOCUMENTS

D728,630 S \* 5/2015 Vetter ..... D15/21  
 9,067,215 B2 6/2015 Moe  
 9,132,452 B2 9/2015 Trivette et al.  
 D743,461 S \* 11/2015 Libasci ..... D15/147  
 D776,722 S \* 1/2017 Weaver ..... D15/147  
 9,610,613 B2 \* 4/2017 Rieck ..... B07B 1/28  
 10,081,019 B1 9/2018 Whitman  
 D830,111 S \* 10/2018 Mirchandani ..... D7/354  
 D848,489 S \* 5/2019 Sakakibara ..... D15/28  
 D864,675 S \* 10/2019 Alvarez ..... D15/147  
 D864,676 S \* 10/2019 Alvarez ..... D15/147  
 10,758,941 B2 \* 9/2020 Goosen ..... B07B 1/02  
 11,154,871 B2 \* 10/2021 Whitman ..... B03B 9/00  
 D942,817 S \* 2/2022 Whitman ..... D7/667  
 2012/0279907 A1 \* 11/2012 Peterson ..... B03B 5/02  
 209/235  
 2018/0369830 A1 \* 12/2018 Houchens ..... B03B 5/56  
 2021/0114041 A1 \* 4/2021 Whitman ..... B03B 5/40  
 2022/0008932 A1 \* 1/2022 Hamilton ..... B02C 4/02  
 2022/0055039 A1 \* 2/2022 Jansson ..... B03D 1/028

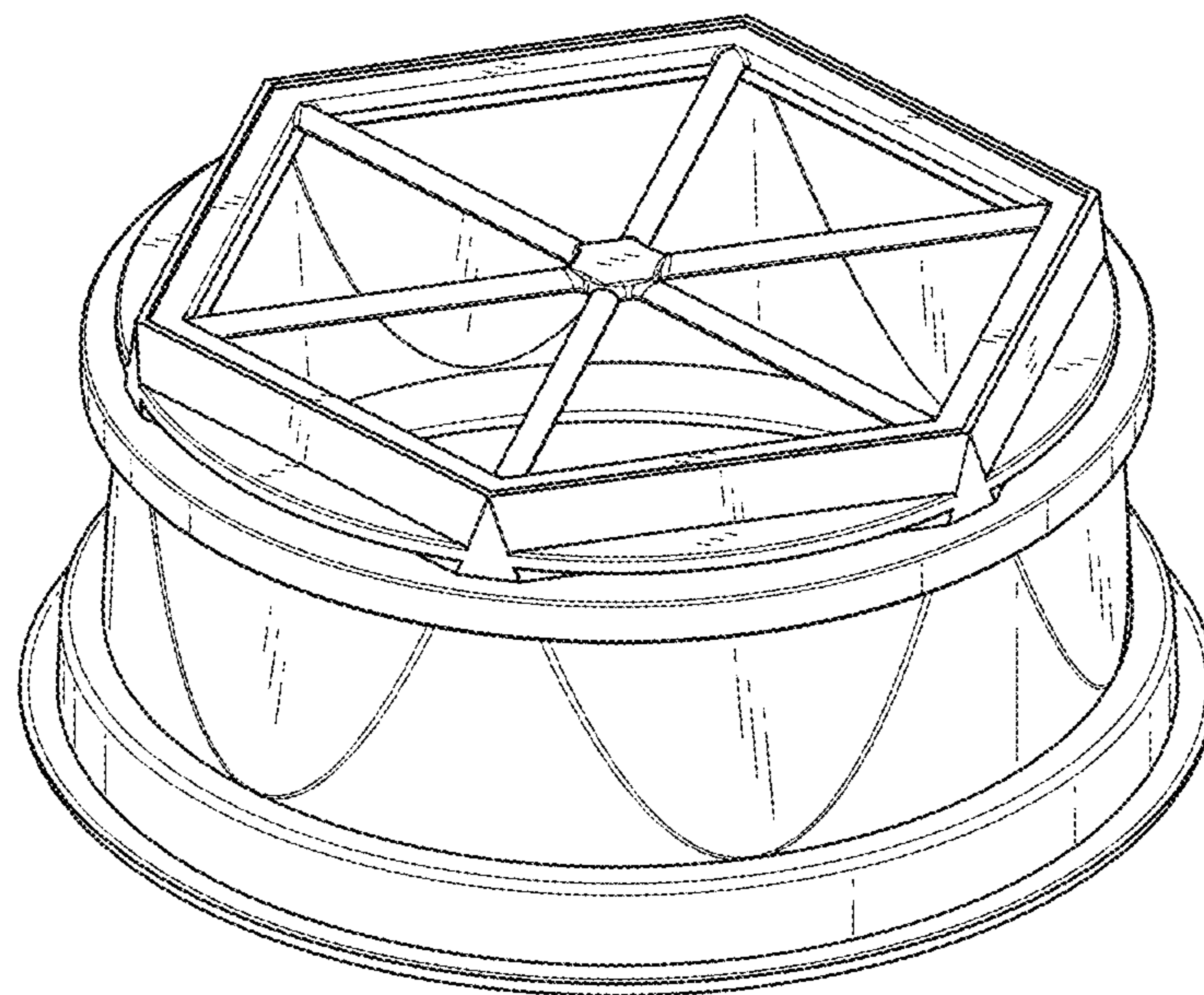
OTHER PUBLICATIONS

“ASR Outdoor Deluxe Sluice Box Gold Prospecting Kit Classifier Pan 16pc,” Walmart website: <https://www.walmart.com/ip/ASR-Outdoor-Deluxe-Sluice-Box-Gold-Prospecting-Kit-Classifier-Pan-16pc/863060703?wmlspartner=wlpa&selectedSellerId=1220&adid=22222222227282010052&wl0=&wl1=g&wl2=c&wl3=340964014286&wl4=pla-669920149919&wl5=9008192&wl6=&wl7=&wl8=&wl9=pla&wl10=113500236&wl11=online&wl12=863060703&wl13=&veh=sem&gclid=CliBsbG81-ICFc7AyAodupEMgA>.

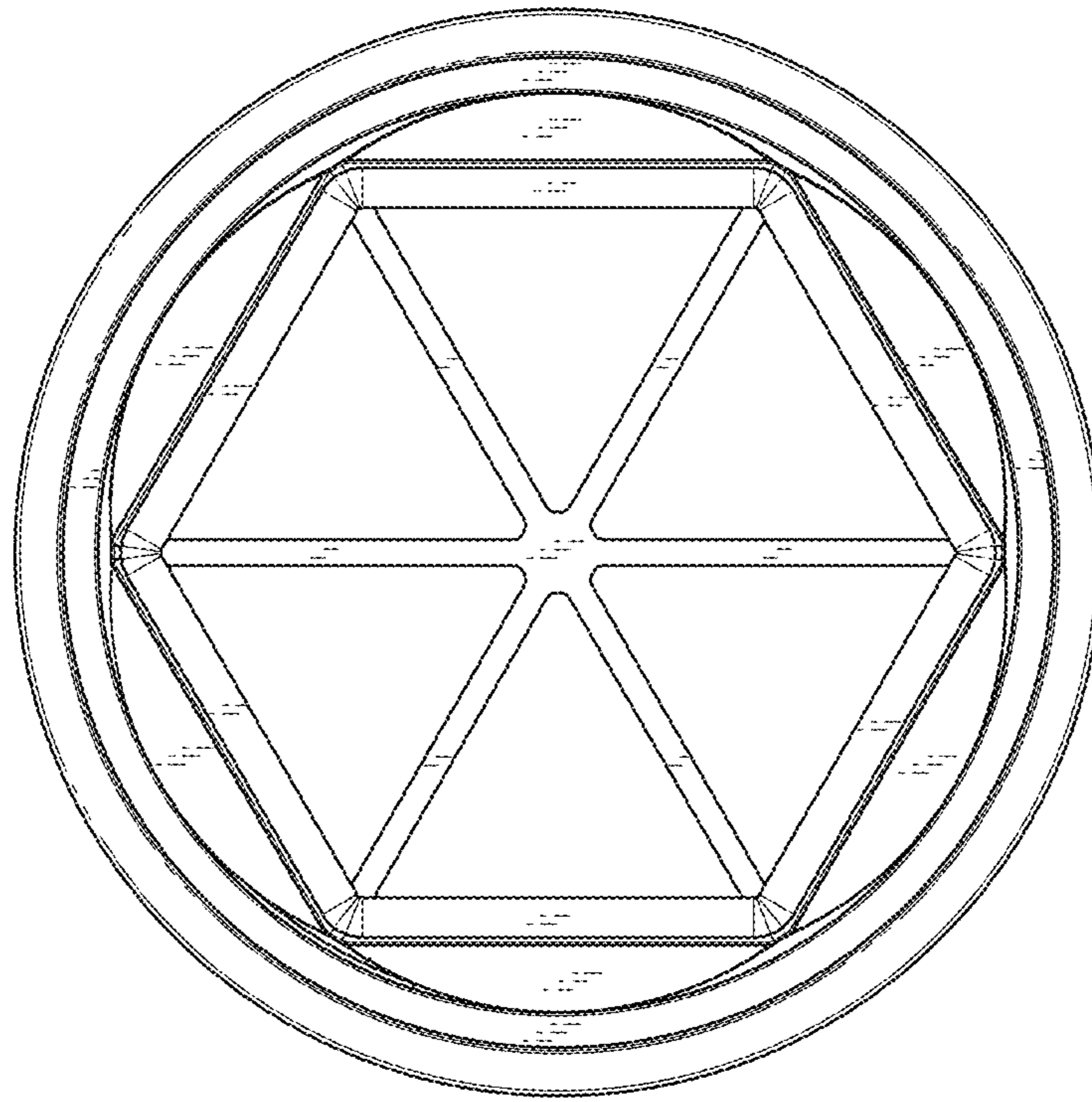
\* cited by examiner



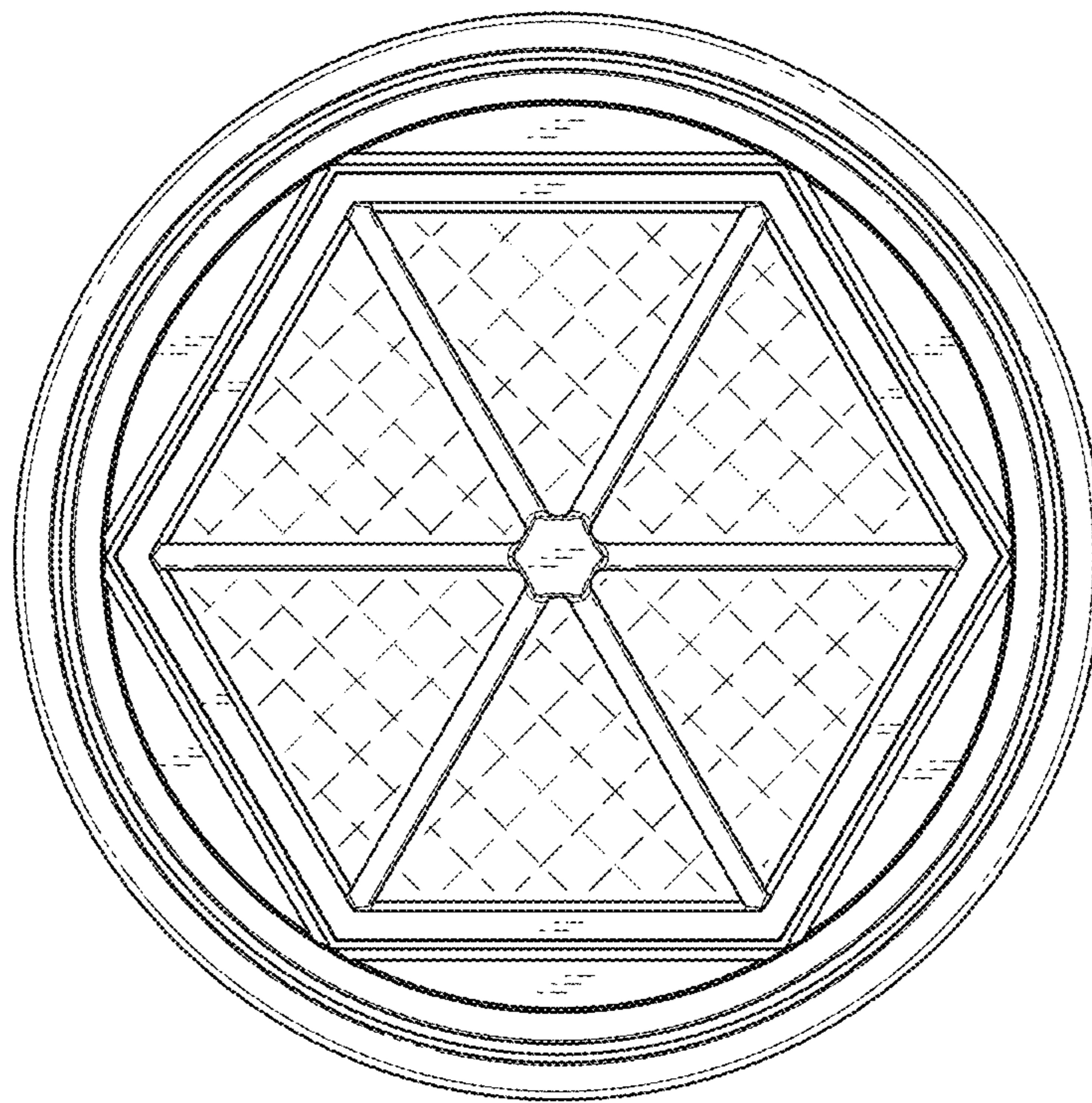
**FIG. 1**



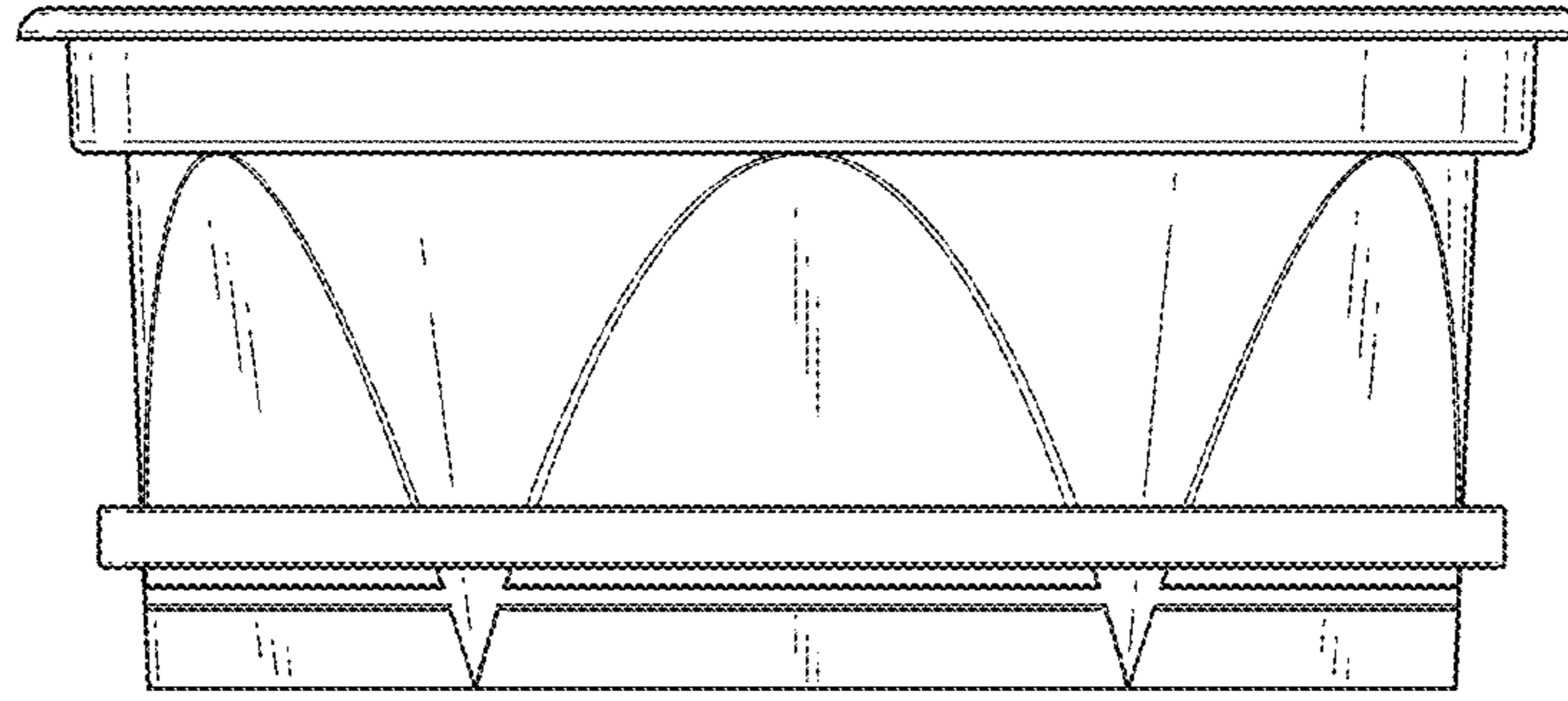
**FIG. 2**



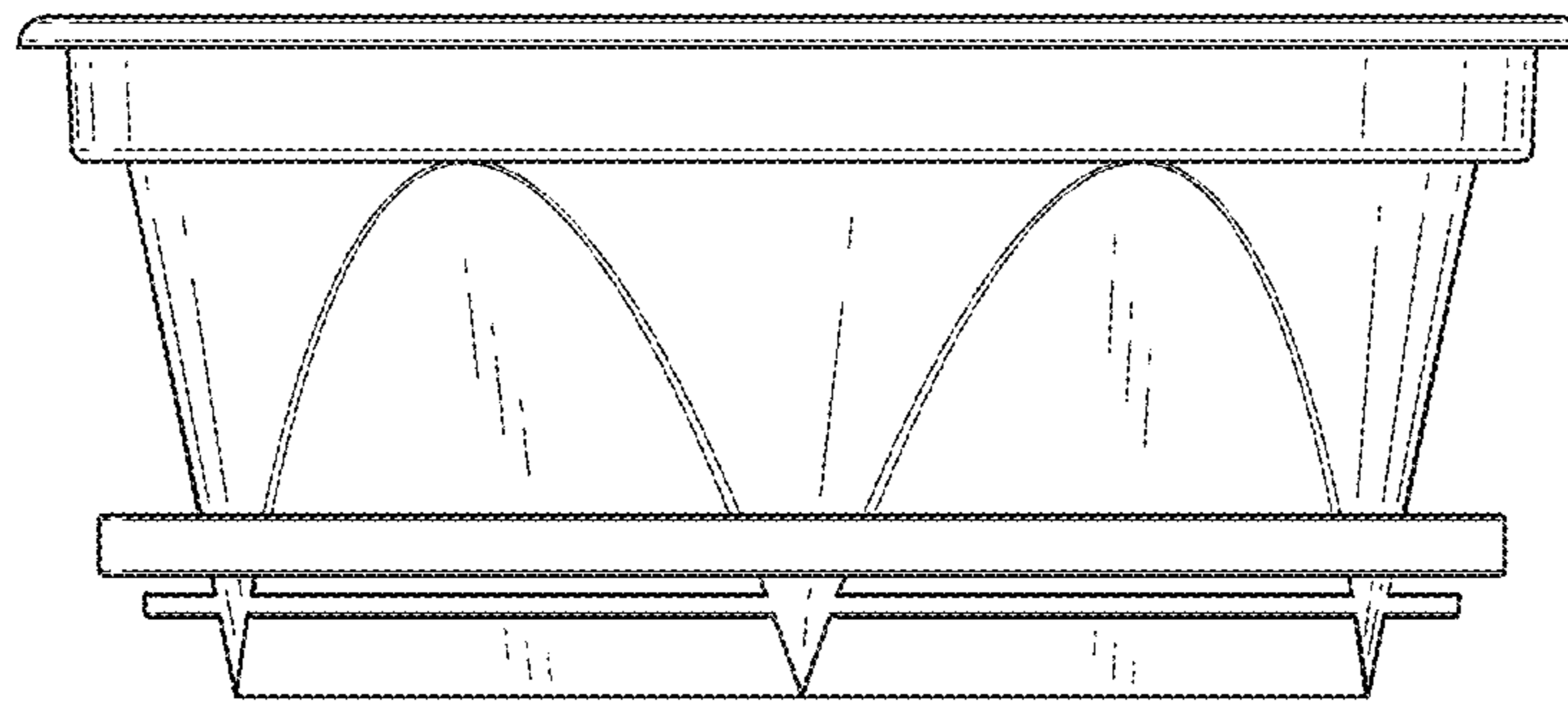
**FIG. 3**



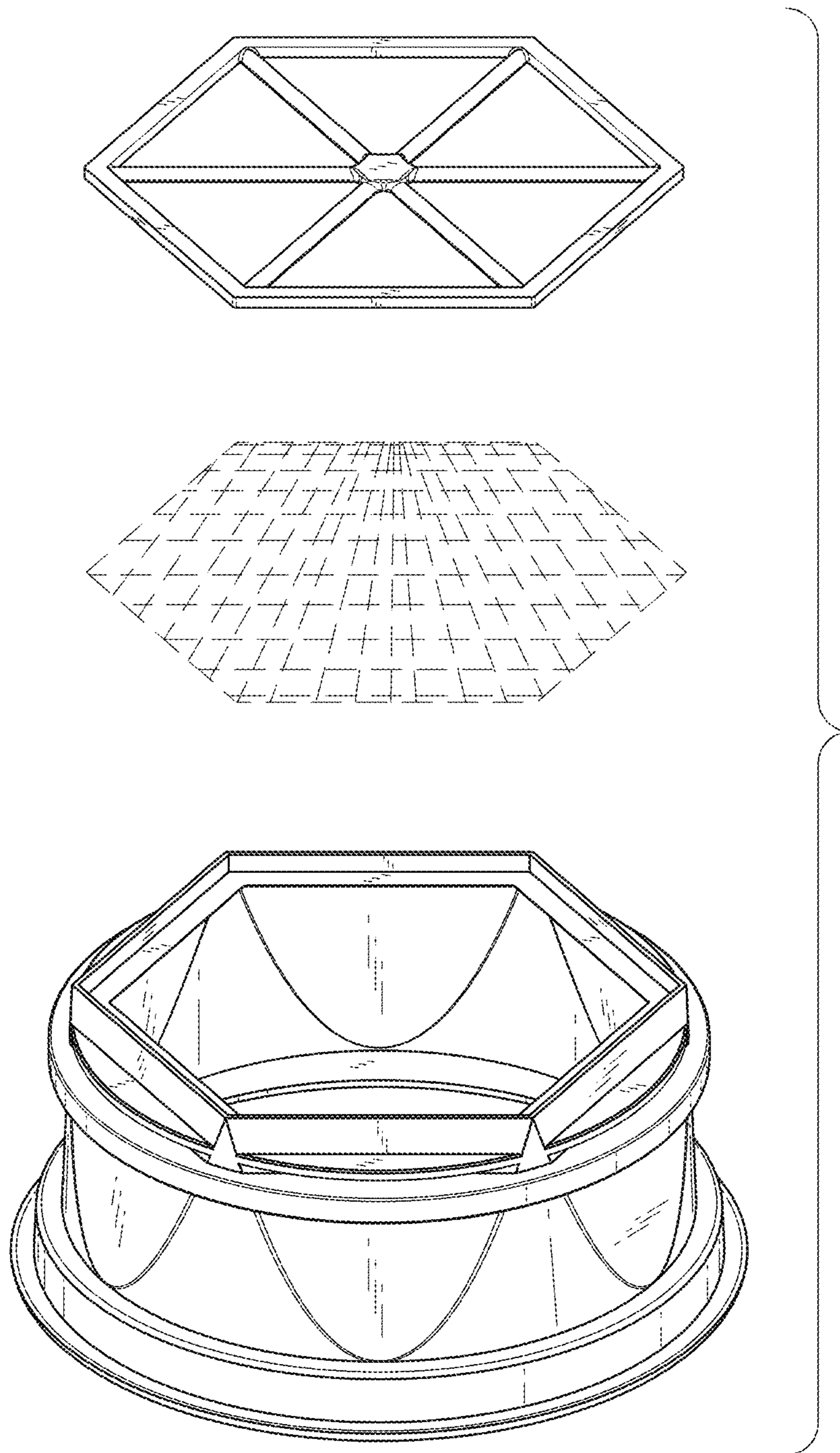
**FIG. 4**



**FIG. 5**



**FIG. 6**



**FIG. 7**