



US00D959499S

(12) **United States Design Patent** (10) **Patent No.:** **US D959,499 S**
Fuina et al. (45) **Date of Patent:** **** Aug. 2, 2022**

(54) **PROFILE FOR CORDLESS YARD TOOLS**
(71) Applicant: **CANADIAN TIRE CORPORATION LIMITED**, Toronto (CA)
(72) Inventors: **Michael James Fuina**, Thornhill (CA); **William August Nickley**, Columbus, OH (US); **Ludwin Miguel Mora**, Columbus, OH (US); **Scott Michael Cline**, New Albany, OH (US); **Michael Joseph Painter**, Johnstown, OH (US)

(**) Term: **15 Years**

(21) Appl. No.: **29/755,175**

(22) Filed: **Oct. 19, 2020**

(51) **LOC (13) Cl.** **15-03**

(52) **U.S. Cl.**
USPC **D15/14; D8/8**

(58) **Field of Classification Search**
USPC D15/10, 14-18, 5; D8/8
CPC A01D 42/04; A01D 42/00; A01D 2101/00;
A01D 34/63; A01D 43/063
See application file for complete search history.

(56) **References Cited**

U.S. PATENT DOCUMENTS

D338,676 S *	8/1993	Tuggle	D8/8
D344,960 S *	3/1994	Patterson	D15/17
D352,043 S *	11/1994	Davies, III	D15/17
D566,491 S *	4/2008	Martin	D8/8
D681,688 S *	5/2013	Higashikawa	D15/15
D693,852 S *	11/2013	Brazier	D15/17
D715,329 S *	10/2014	Higashikawa	D15/15
D723,068 S *	2/2015	Qiu	D15/14
D748,676 S *	2/2016	Higashikawa	D15/15
D776,995 S *	1/2017	Schoch	D8/8
D784,420 S *	4/2017	Zhang	D15/14
D785,048 S *	4/2017	Zhang	D15/14

D792,478 S *	7/2017	Sasaki	D15/28
D793,455 S *	8/2017	Atterbury	D15/15
D799,918 S *	10/2017	Mehra	D8/8
D833,486 S *	11/2018	Dretzka	D15/17
D834,071 S *	11/2018	Näslund	D15/14
D834,072 S *	11/2018	Näslund	D15/14
D862,525 S *	10/2019	Lau	D15/14
D884,747 S *	5/2020	Hyakusawa	D15/17
D907,666 S *	1/2021	Dai	D15/14
2022/0074489 A1 *	3/2022	Zhang	F16H 57/082

* cited by examiner

Primary Examiner — Mark A Goodwin

(74) *Attorney, Agent, or Firm* — Norton Rose Fulbright Canada LLP

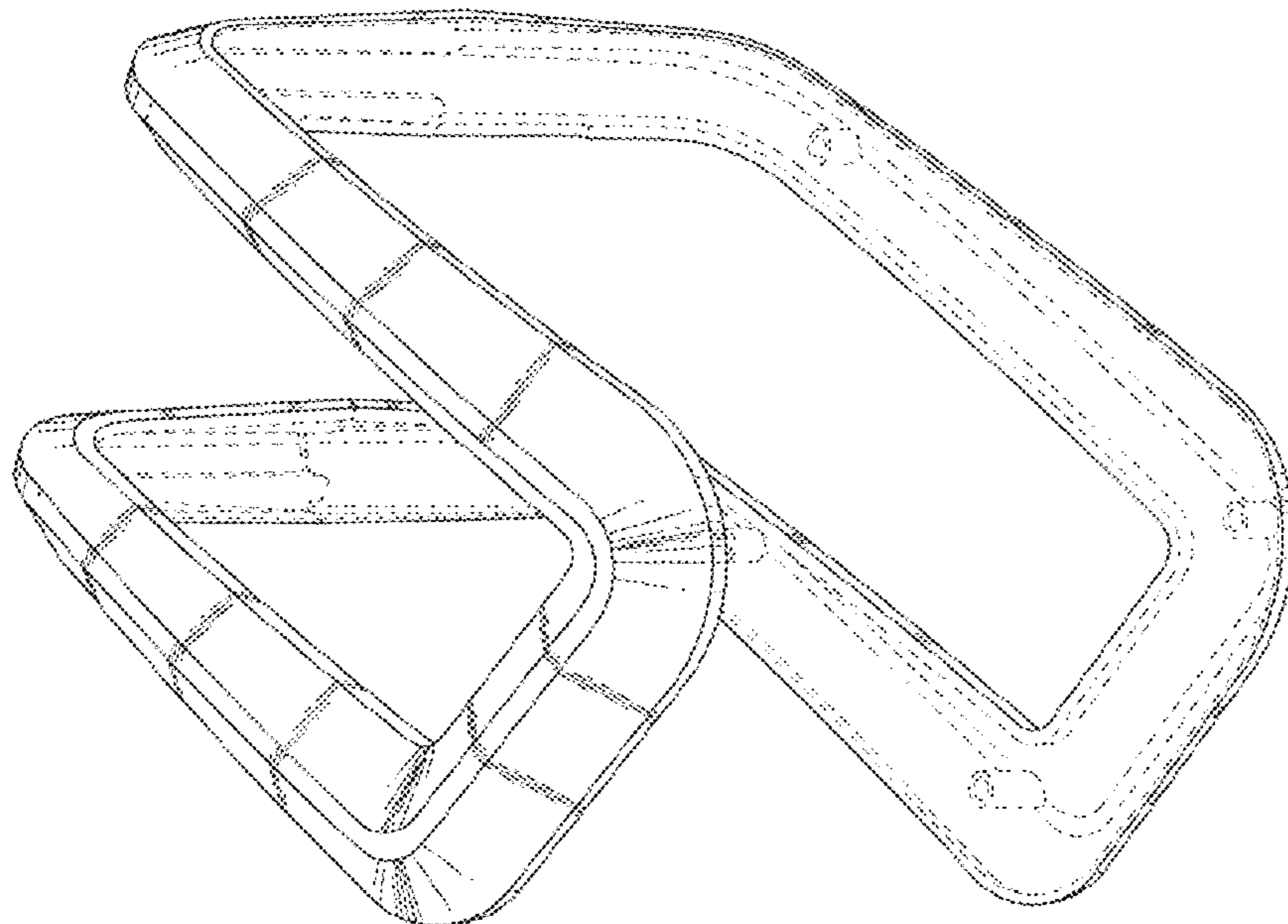
(57) **CLAIM**

The ornamental design for profile for cordless yard tools, as shown and described.

DESCRIPTION

FIG. 1 is left side perspective view of a profile for cordless yard tools showing our new design. FIG. 2 is a front view of the profile for cordless yard tools. FIG. 3 is back view of the profile for cordless yard tools. FIG. 4 is left side view of the profile for cordless yard tools. FIG. 5 is right side view of the profile for cordless yard tools. FIG. 6 is top view of the profile for cordless yard tools. FIG. 7 is bottom view of the profile for cordless yard tools. FIG. 8 is a left side perspective view of the profile for cordless yard tools shown in environment. FIG. 9 is a left side perspective view of the profile for cordless yard tools shown in environment; and, FIG. 10 is a right side view of the profile for cordless yard tools shown in environment. The broken line portions are included to show environmental unclaimed subject matter only and form no part of the claimed design.

1 Claim, 7 Drawing Sheets



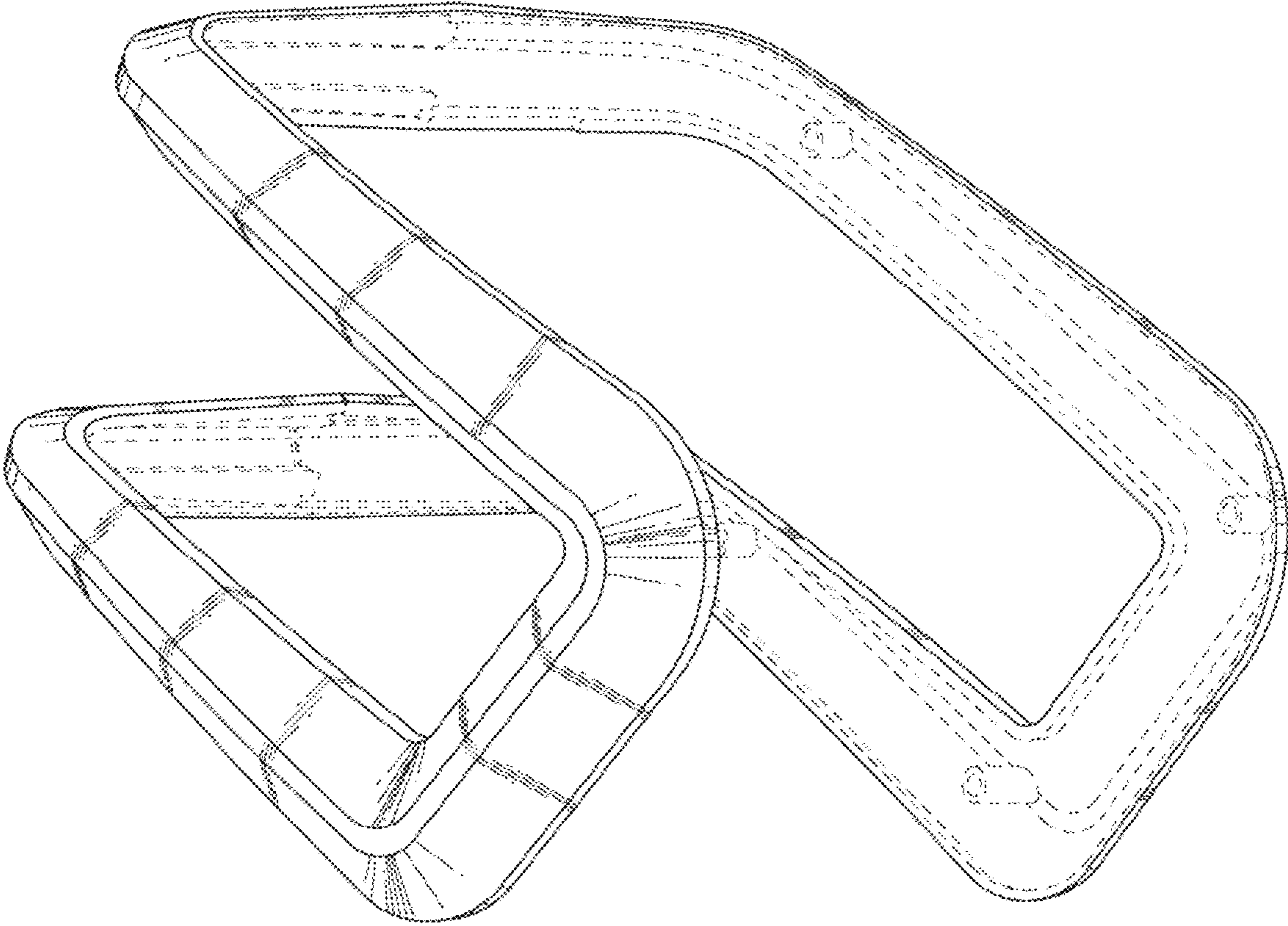


FIG. 1

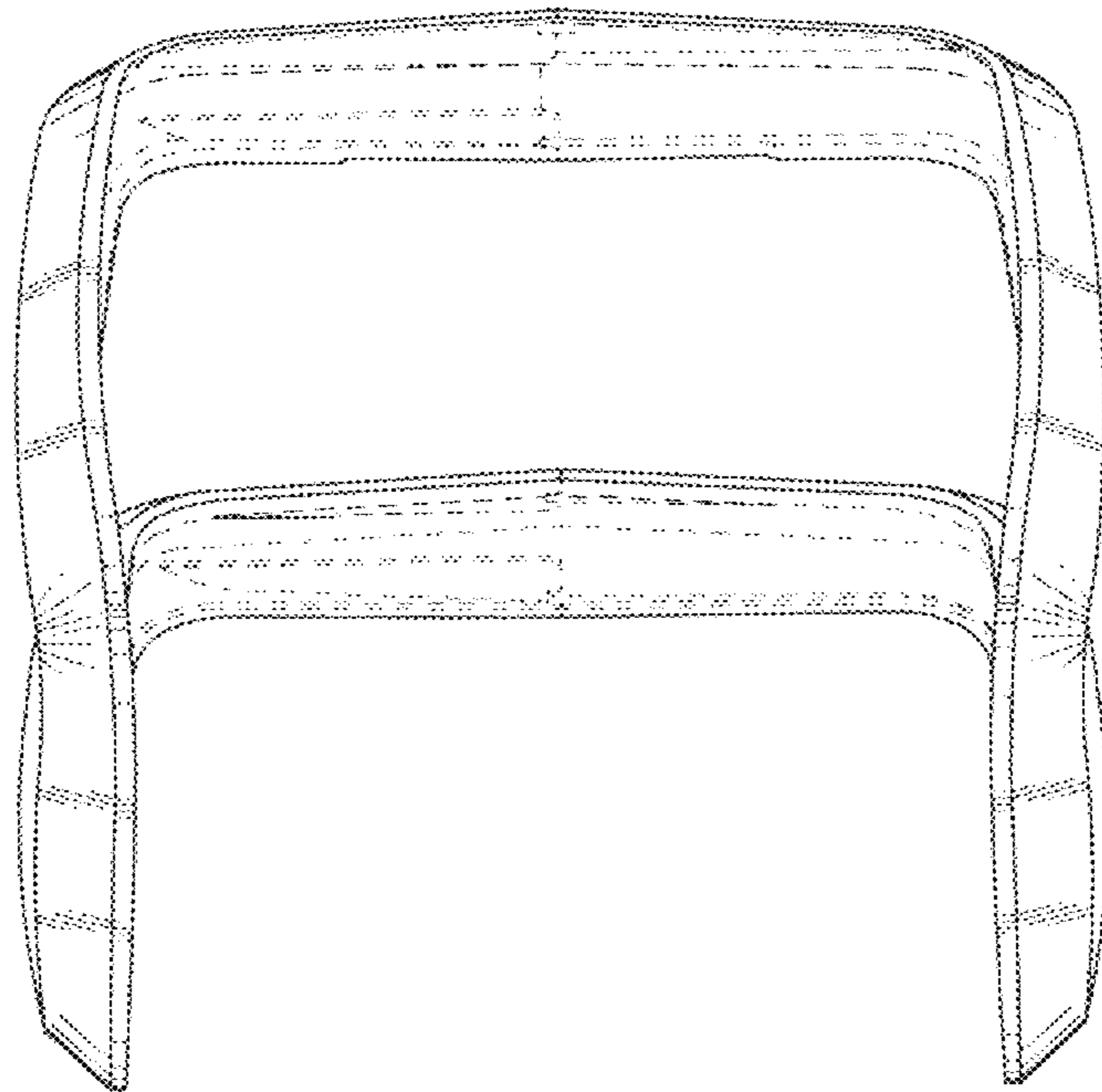


FIG. 2

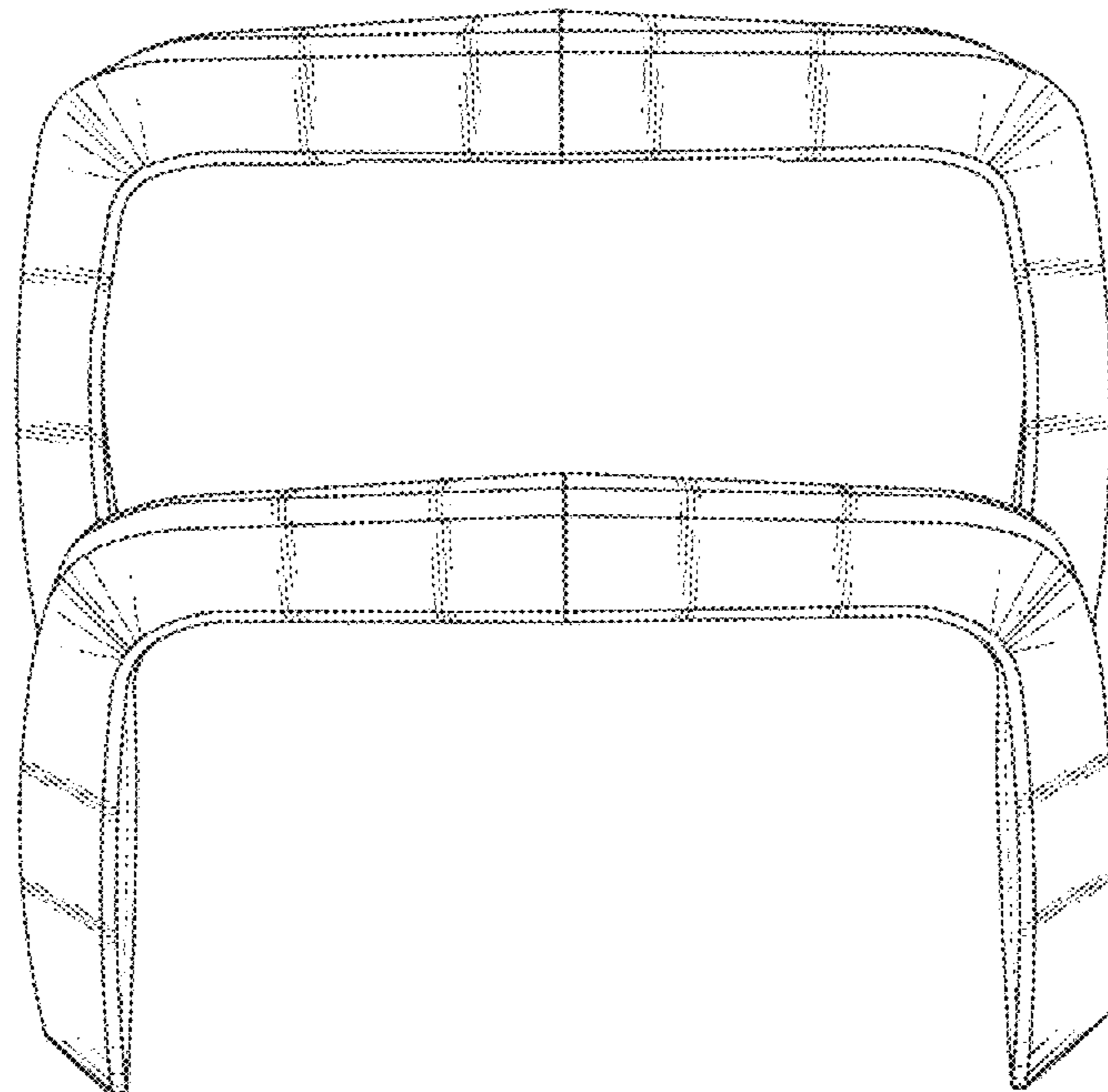


FIG. 3

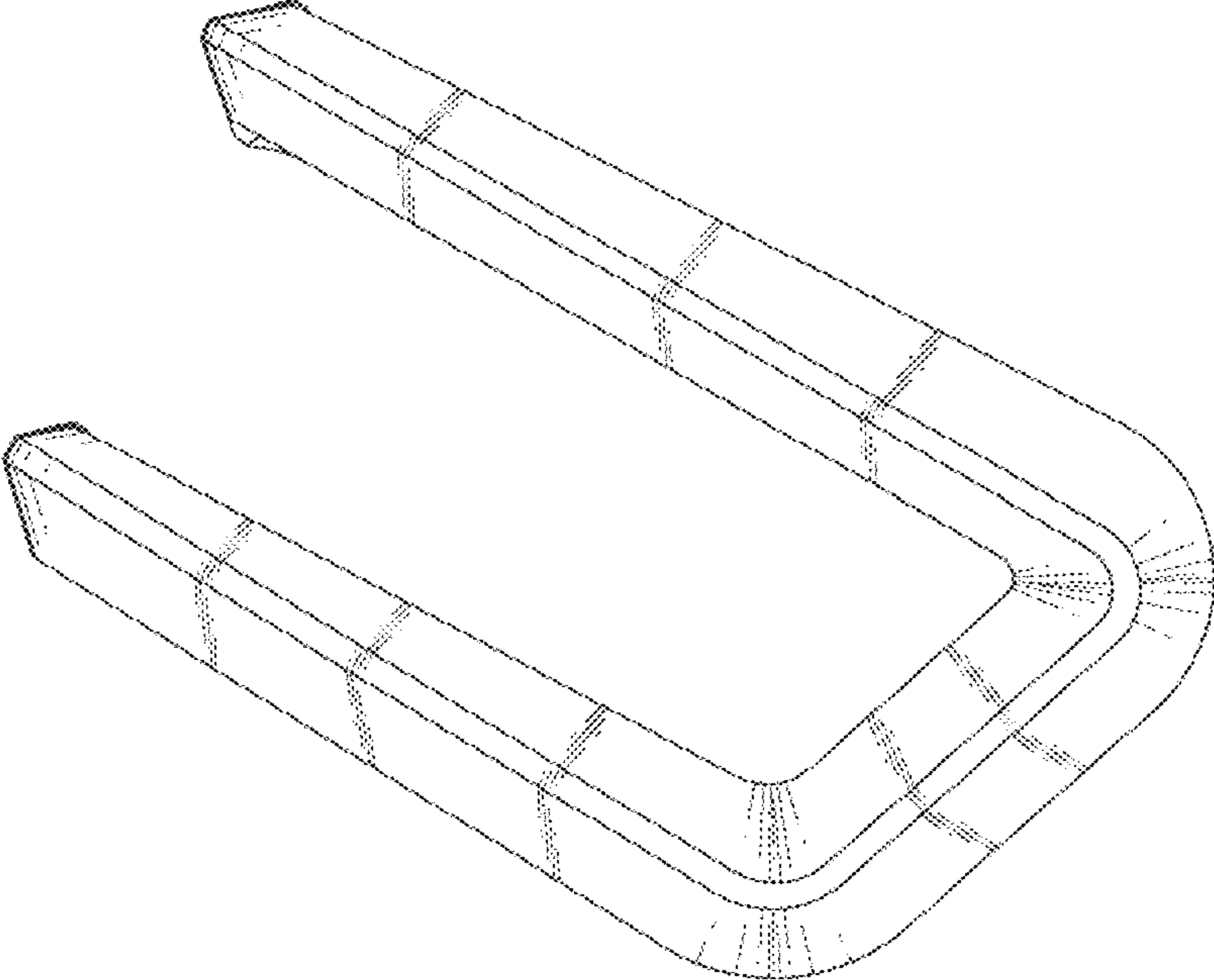


FIG. 4

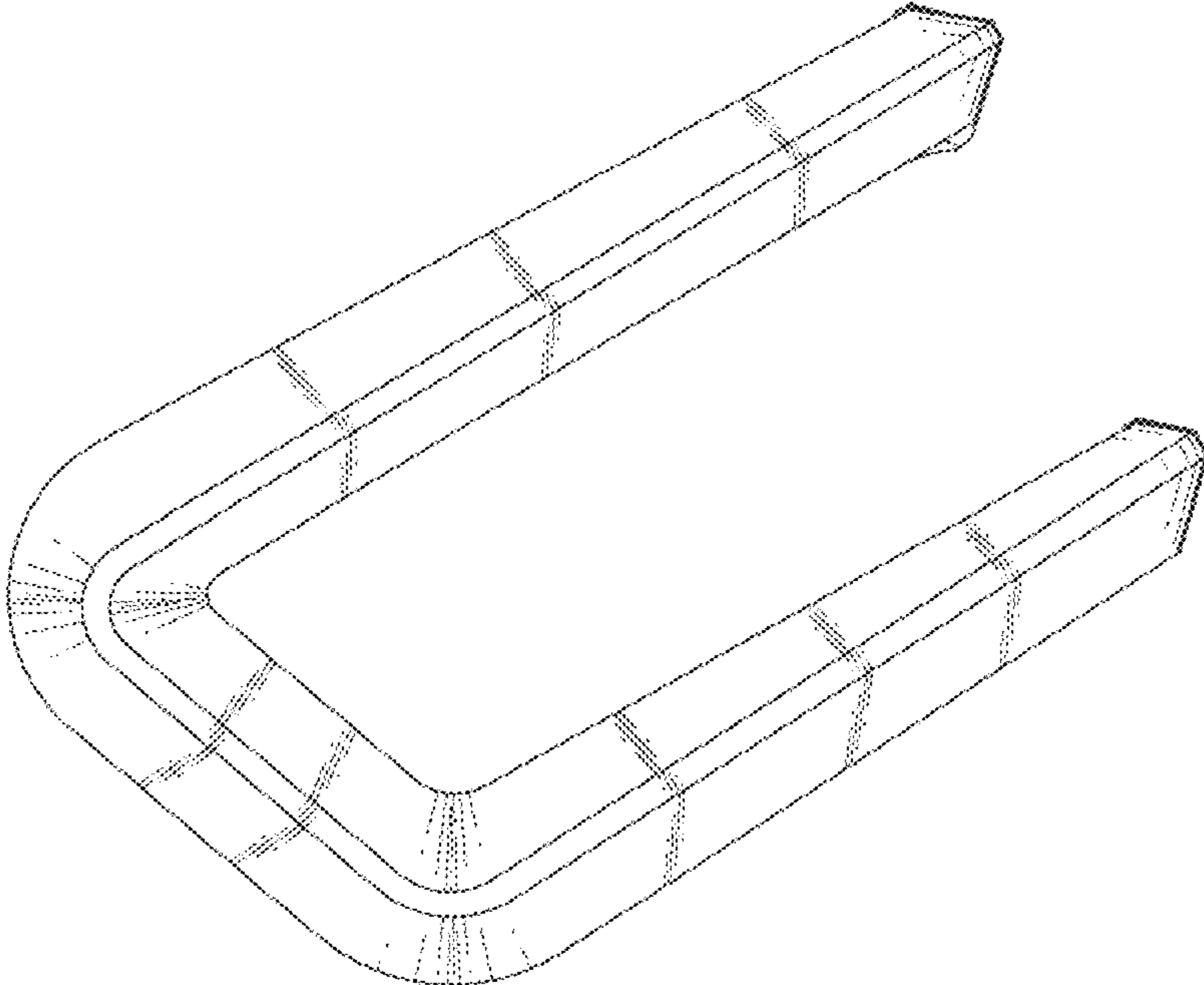


FIG. 5

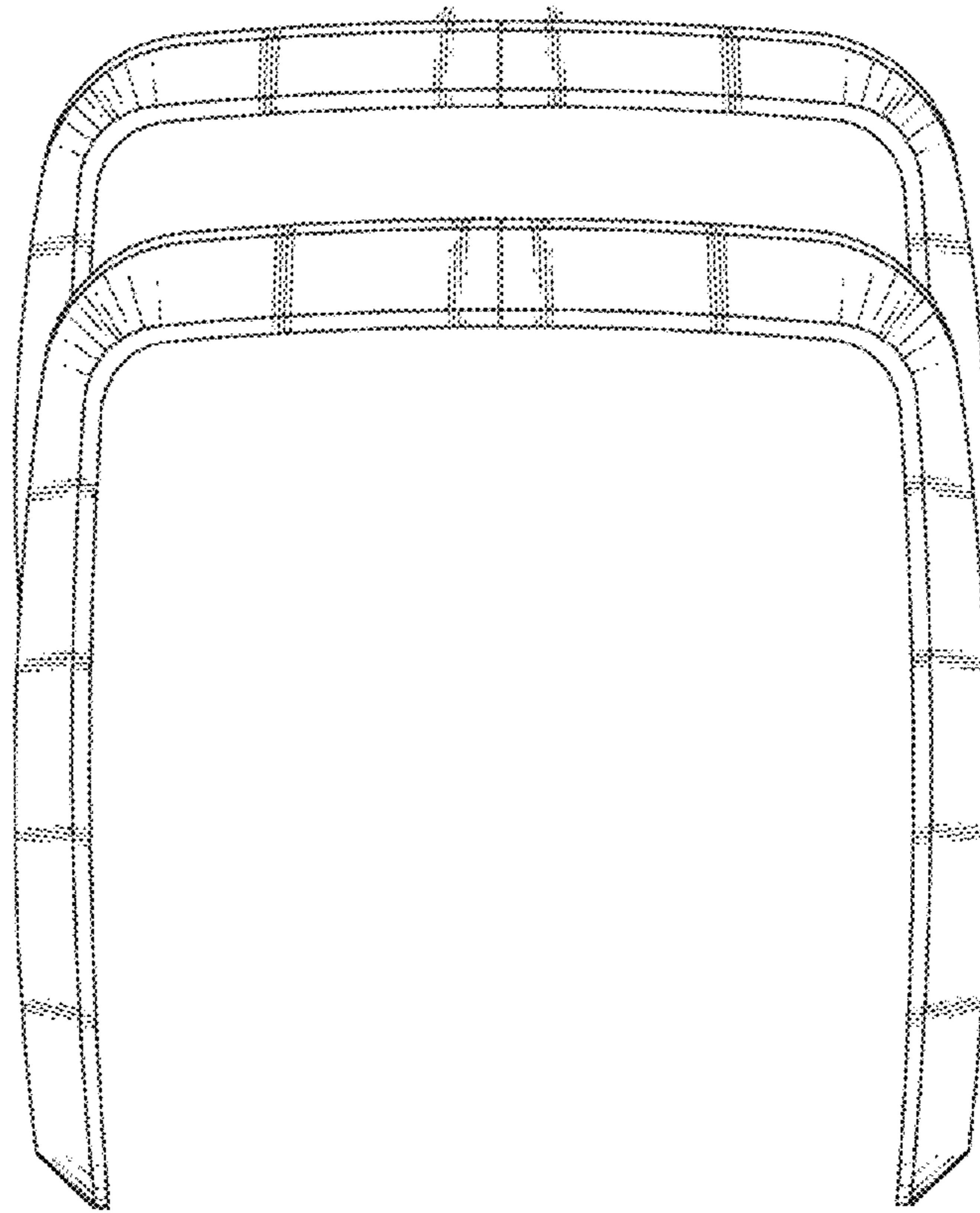


FIG. 6

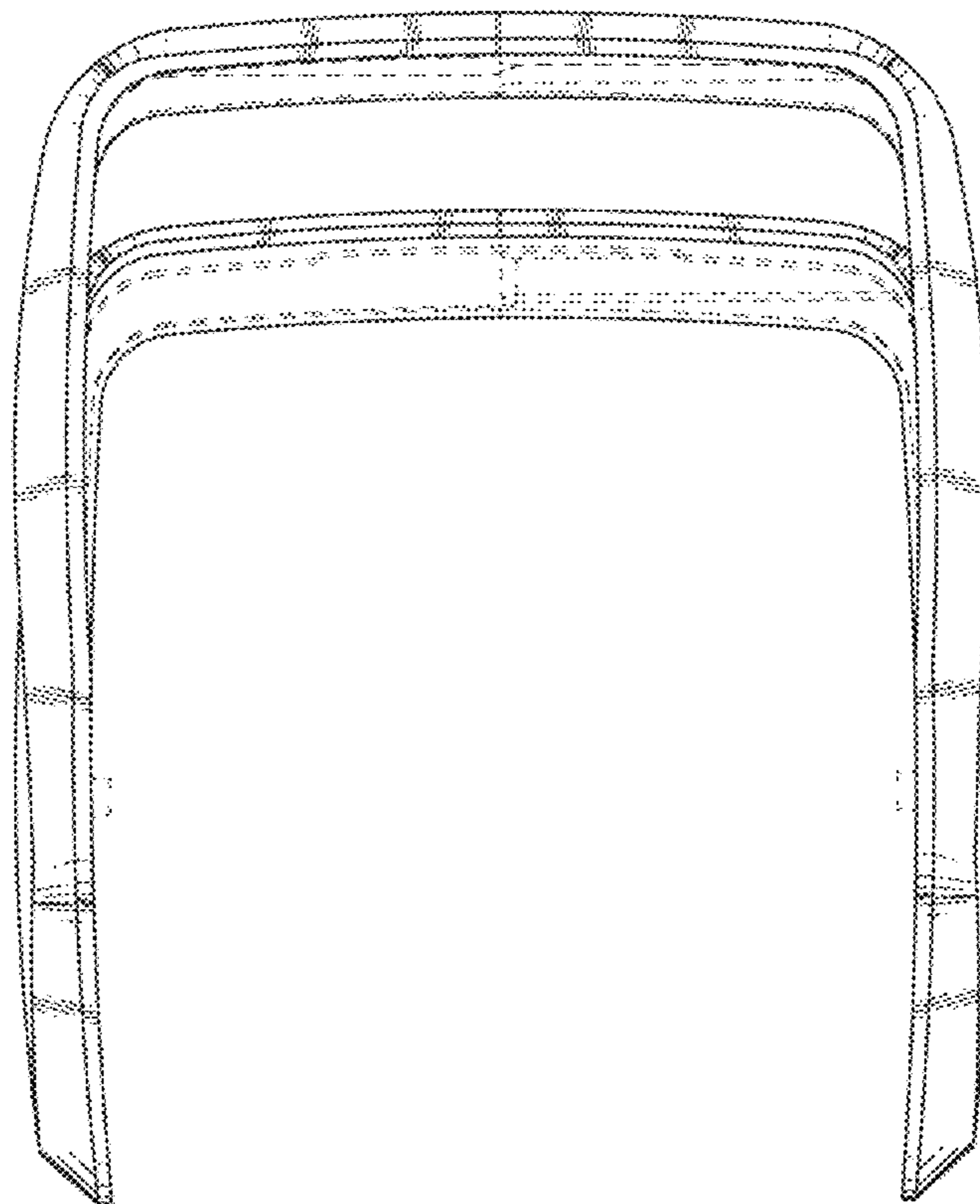


FIG. 7

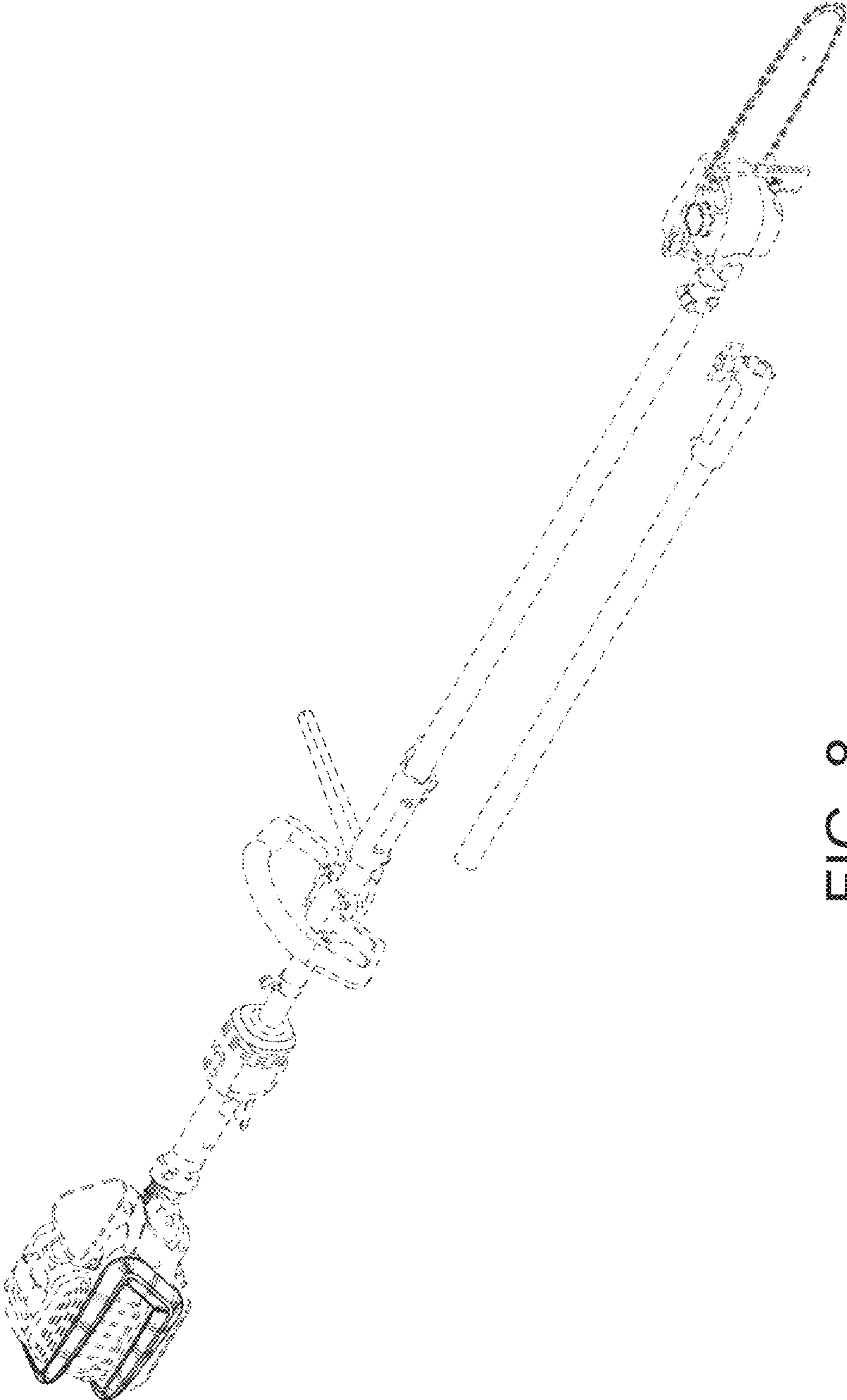


FIG. 8

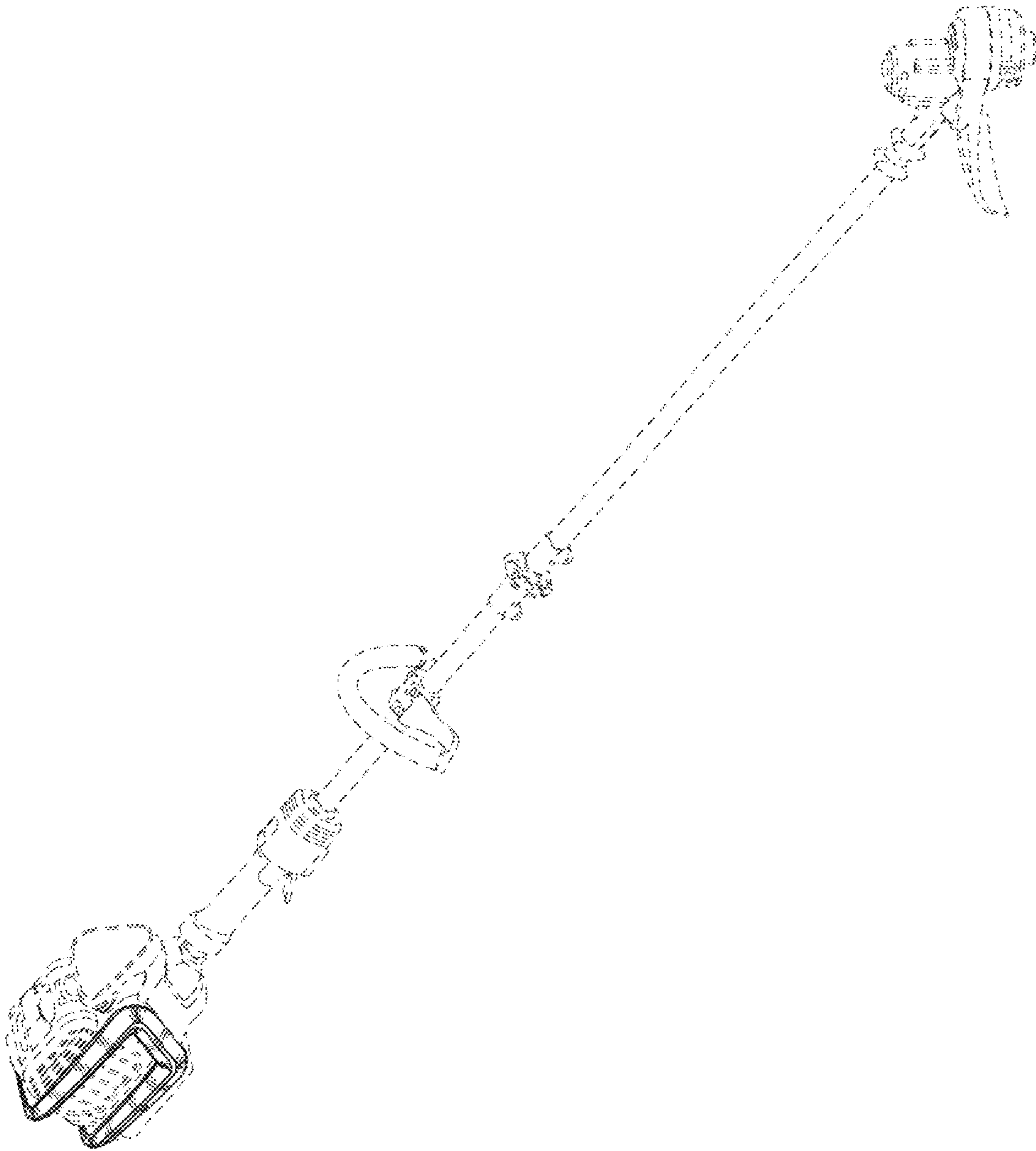


FIG. 9

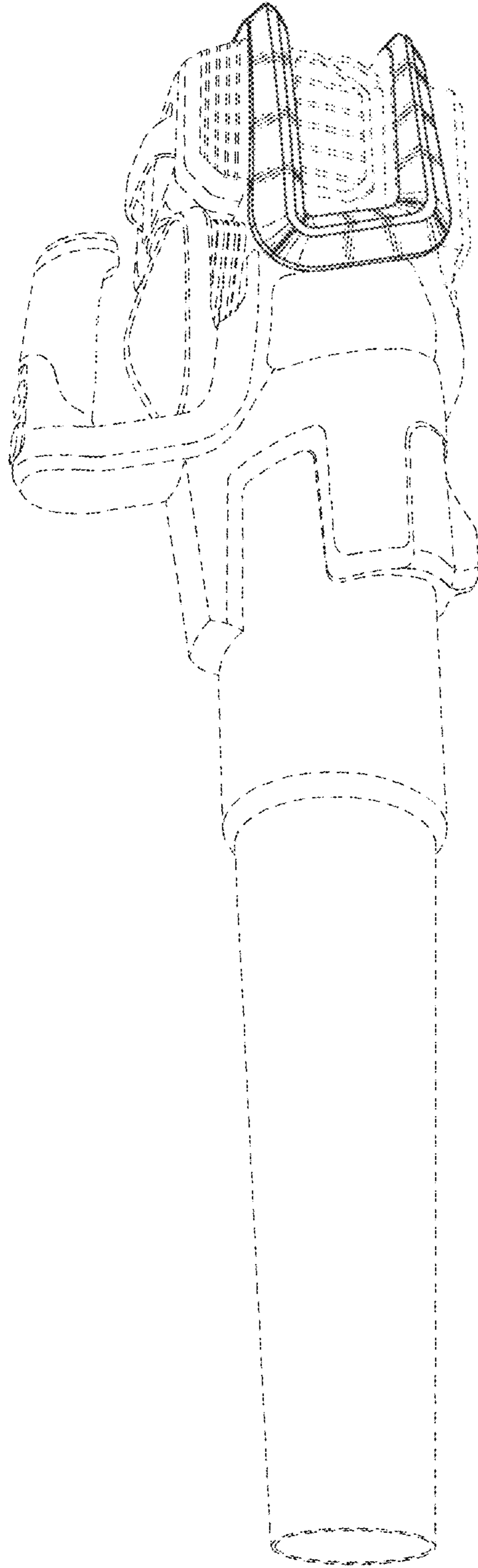


FIG. 10