



US00D959498S

(12) **United States Design Patent**
Schildger et al.

(10) **Patent No.:** **US D959,498 S**

(45) **Date of Patent:** **** Aug. 2, 2022**

(54) **COMPRESSOR**

(71) Applicant: **SUMITOMO RUBBER INDUSTRIES, LTD.**, Kobe (JP)

(72) Inventors: **Daniel Schildger**, Kobe (JP); **Andreas Villnow**, Kobe (JP); **Michael M. Koegler**, Kobe (JP)

(73) Assignee: **SUMITOMO RUBBER INDUSTRIES, LTD.**, Kobe (JP)

(**) Term: **15 Years**

(21) Appl. No.: **29/749,414**

(22) Filed: **Sep. 4, 2020**

(51) **LOC (13) Cl.** **15-02**

(52) **U.S. Cl.**
USPC **D15/9; D15/7**

(58) **Field of Classification Search**
USPC D15/7-9; D13/103, 107; D24/108, 110, D24/111; D23/210, 225, 231, 232
CPC . B25B 21/02; B60S 5/04; B60S 5/046; B29C 73/00; B29C 73/16; B29C 73/025; B29C 73/166; F04B 53/00; F04B 35/04; F04B 37/10; E03B 5/00; B60C 25/16; B60C 29/062

See application file for complete search history.

(56) **References Cited**

U.S. PATENT DOCUMENTS

D499,426 S *	12/2004	Chou	D15/7
D582,945 S *	12/2008	Chou	D15/9
D627,795 S *	11/2010	Eckhardt	D15/9
D629,424 S *	12/2010	Eckhardt	D15/9
D644,252 S *	8/2011	Kojima	D15/9
D657,801 S *	4/2012	Eckhardt	D15/9
8,146,622 B2 *	4/2012	Guan	B60C 29/062 141/38
D665,427 S *	8/2012	Inskeep	D15/9
D670,313 S *	11/2012	Ohm	D15/7

D672,368 S *	12/2012	Wong	D15/9
D678,351 S *	3/2013	Wong	D15/9
D703,241 S *	4/2014	Eckhardt	D15/9
D722,618 S *	2/2015	Wong	D15/9
D723,588 S *	3/2015	Wang	D15/9
8,978,716 B2 *	3/2015	Chou	B60S 5/043 141/38

(Continued)

OTHER PUBLICATIONS

Airman, ResQ Tire Repair Kit, (first available date Feb. 21, 2013), Amazon.com, URL:<<https://www.amazon.com/Airman-71-051-021-Repair-Compressor-Sealant/dp/B00BJ34L3E>> (Year: 2013).*

(Continued)

Primary Examiner — Calvin E Vansant

Assistant Examiner — Mark T. Philipps

(74) *Attorney, Agent, or Firm* — Birch, Stewart, Kolasch & Birch, LLP

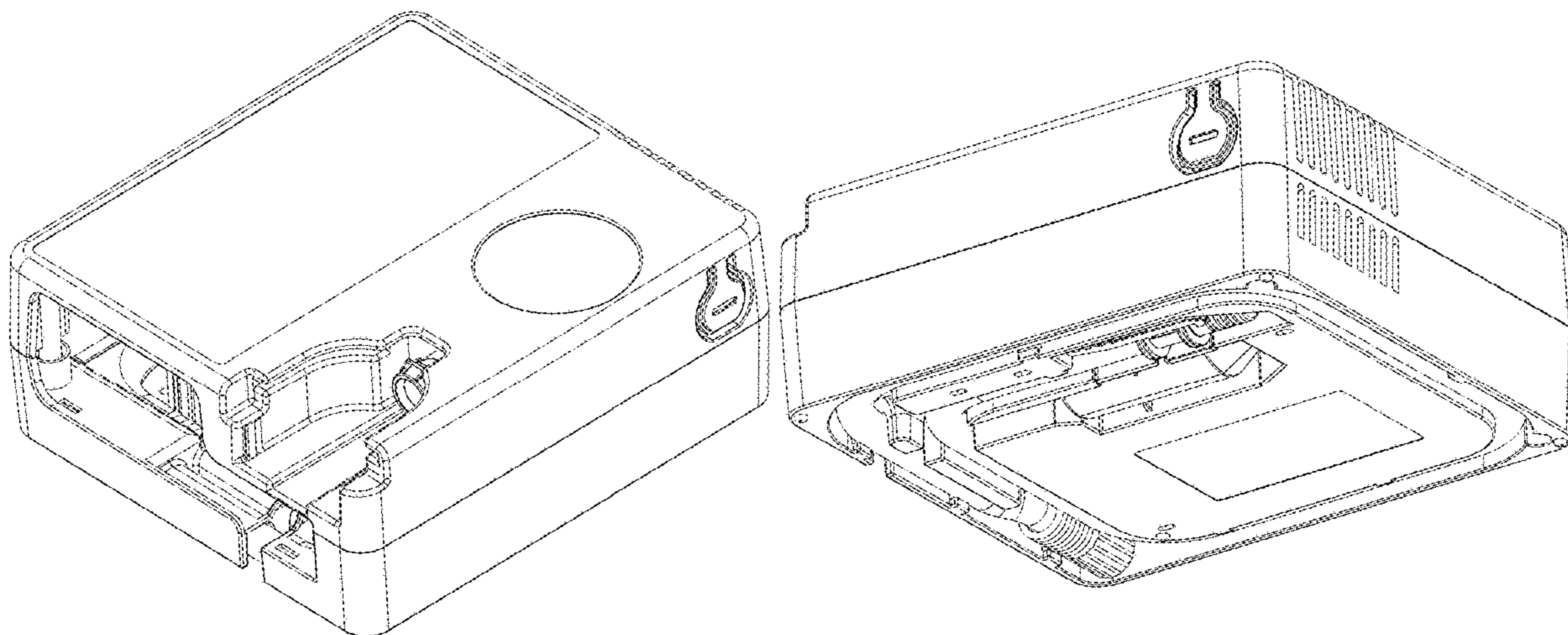
(57) **CLAIM**

The ornamental design for a compressor, as shown and described.

DESCRIPTION

FIG. 1 is a rear, right perspective view of a compressor showing our new design;
FIG. 2 is a front view thereof;
FIG. 3 is a left side view thereof;
FIG. 4 is a rear view thereof;
FIG. 5 is a right side view thereof;
FIG. 6 is a bottom view thereof;
FIG. 7 is a top view thereof;
FIG. 8 is a rear, left perspective view thereof; and,
FIG. 9 is a front, right perspective view thereof.
The portions of the drawings shown in broken lines illustrate portions of the compressor that form no part of the claimed design.

1 Claim, 9 Drawing Sheets



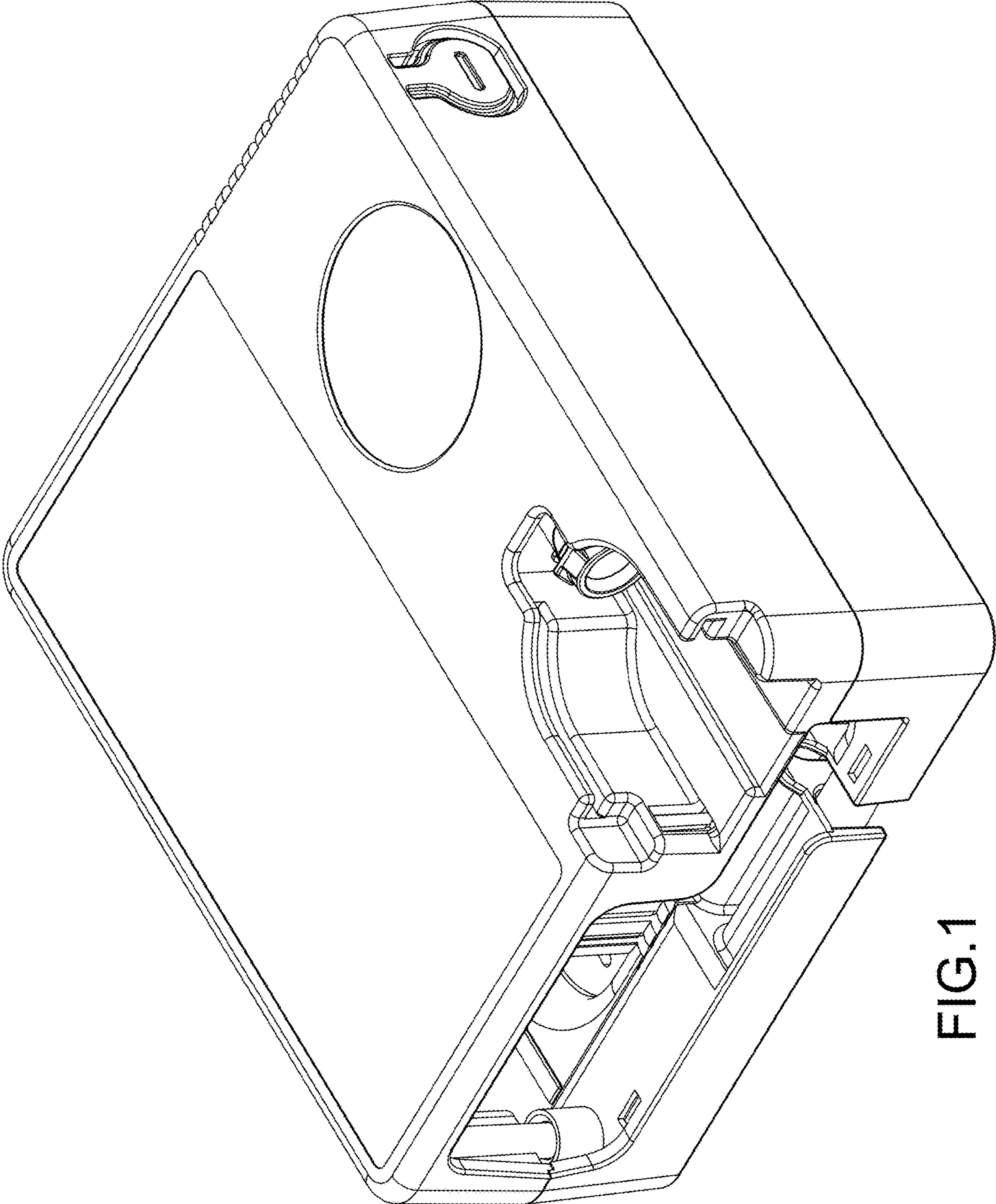


FIG.1

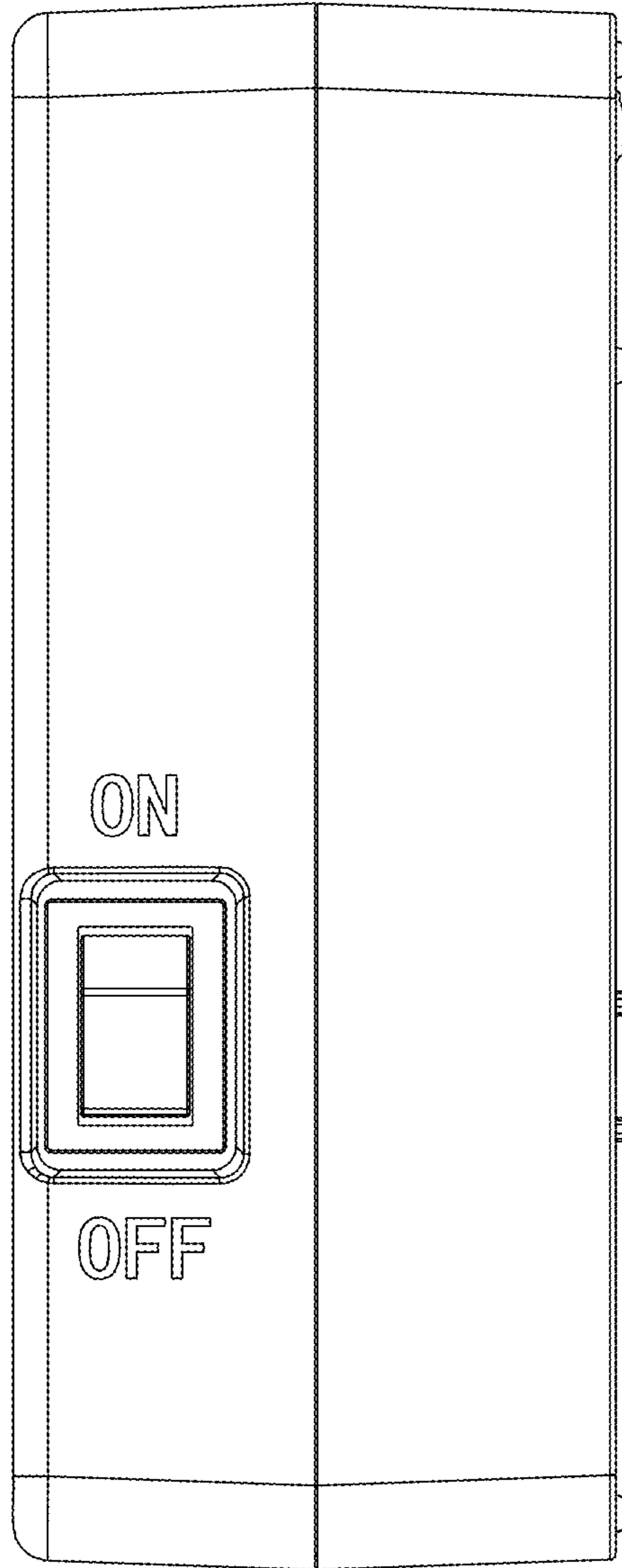


FIG.2

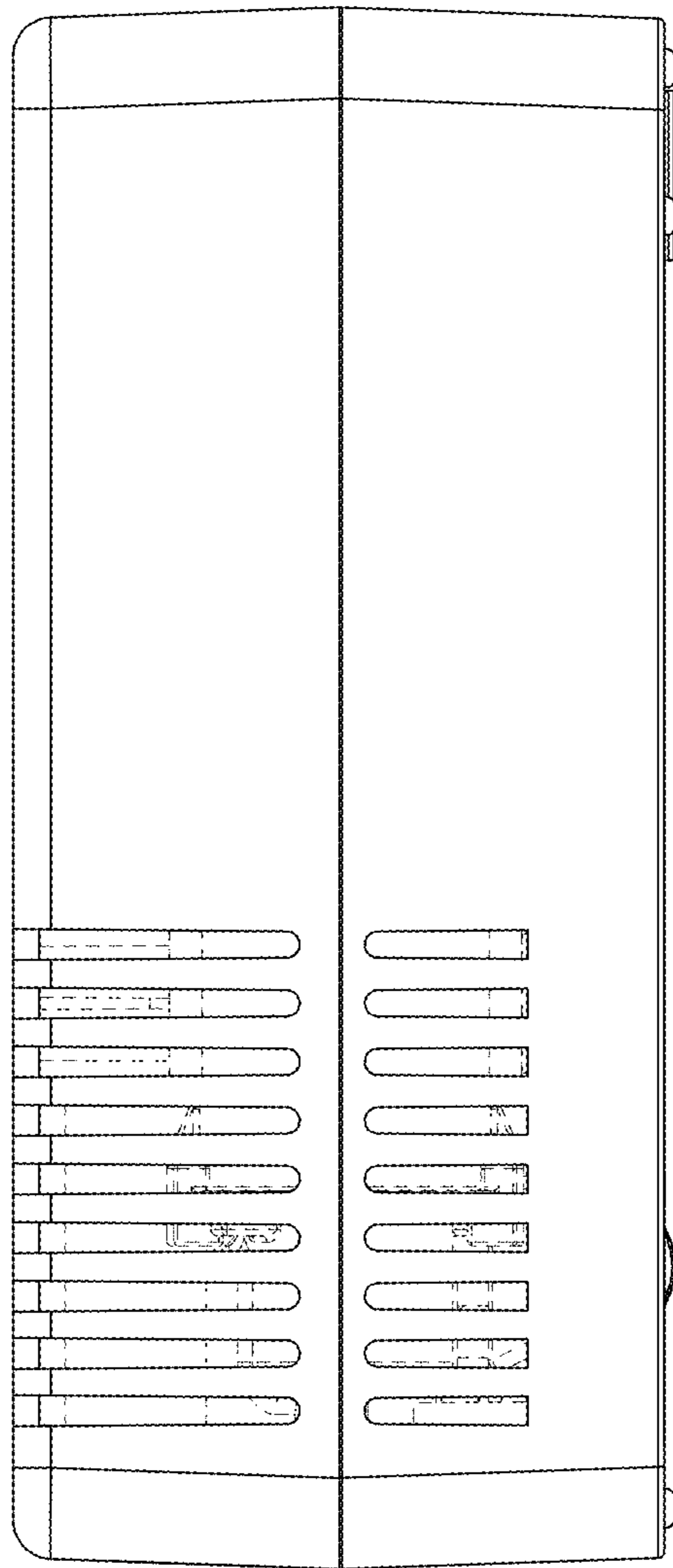


FIG.3

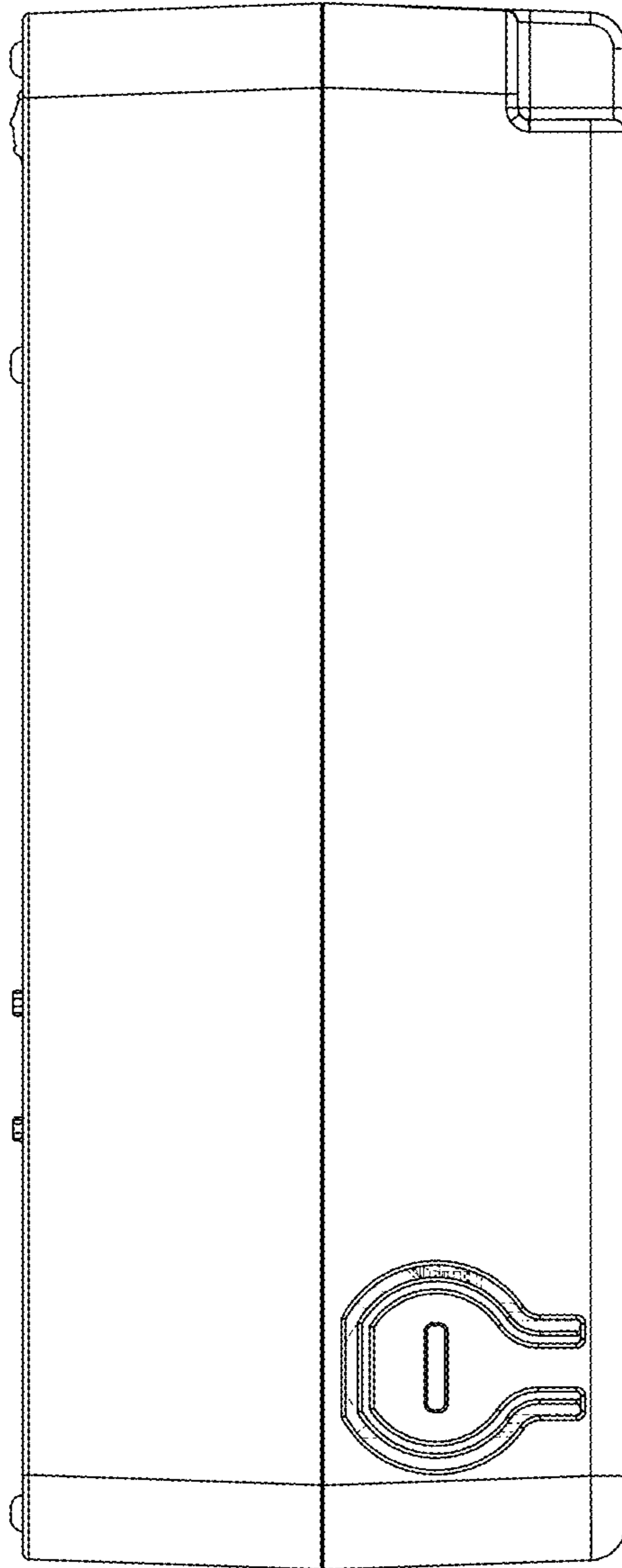


FIG.4

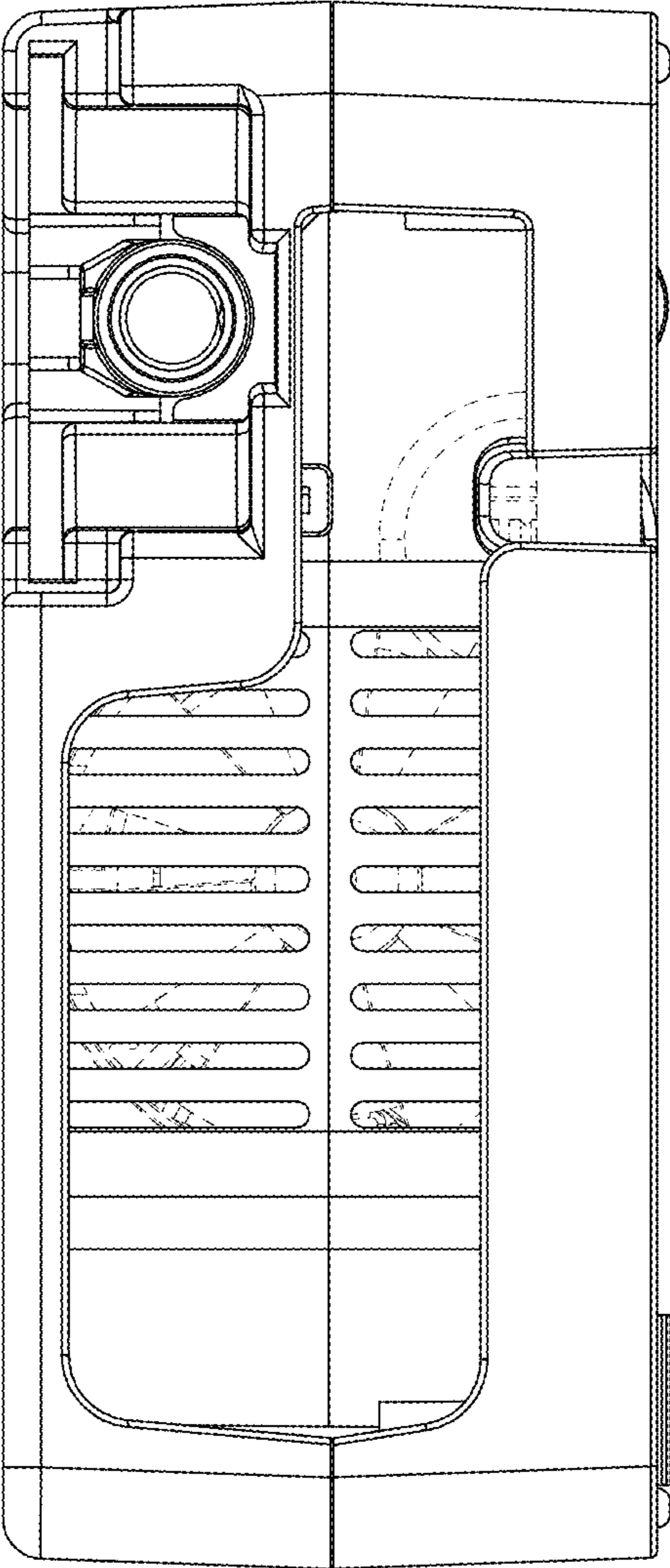


FIG.5

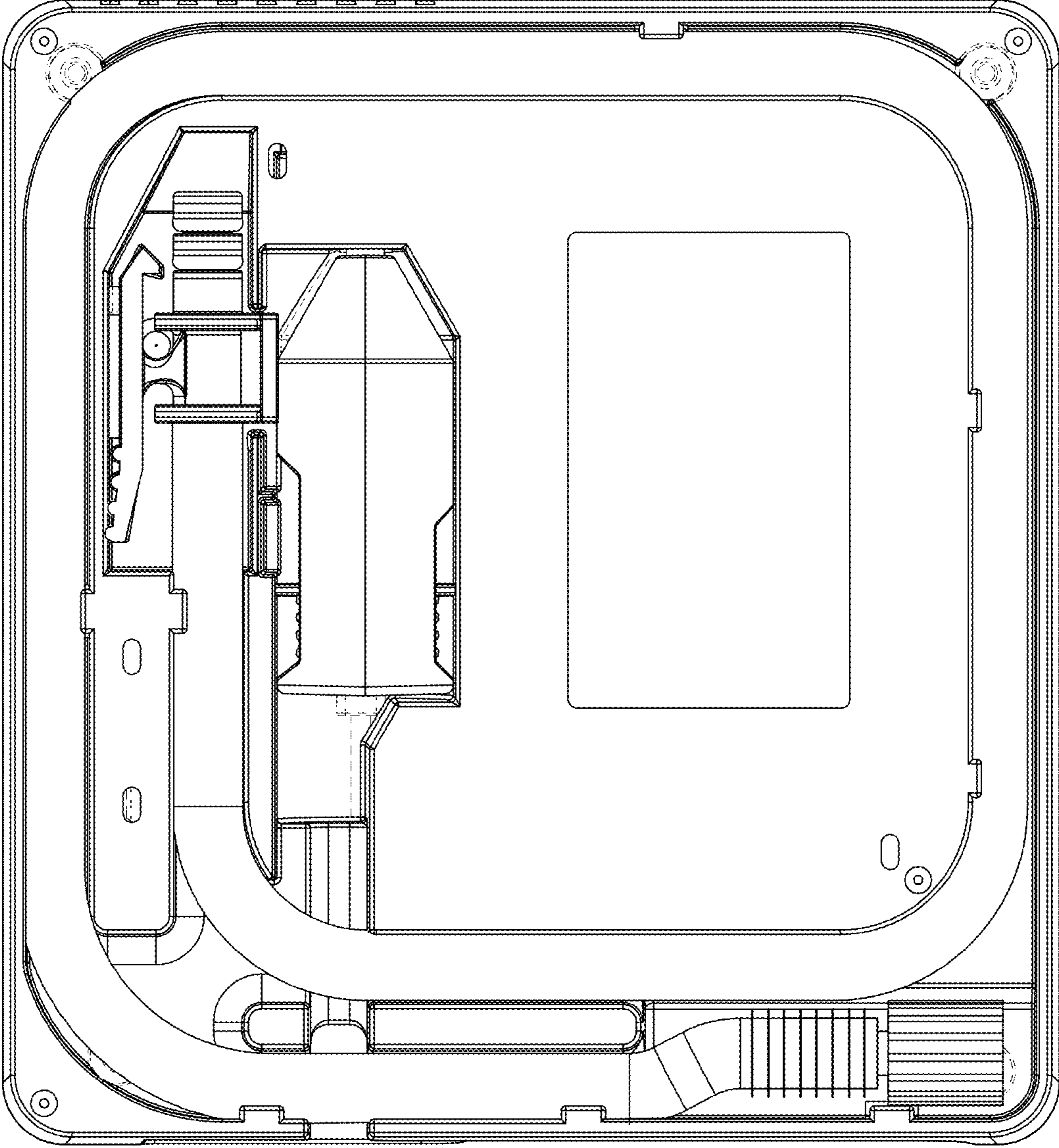


FIG.6

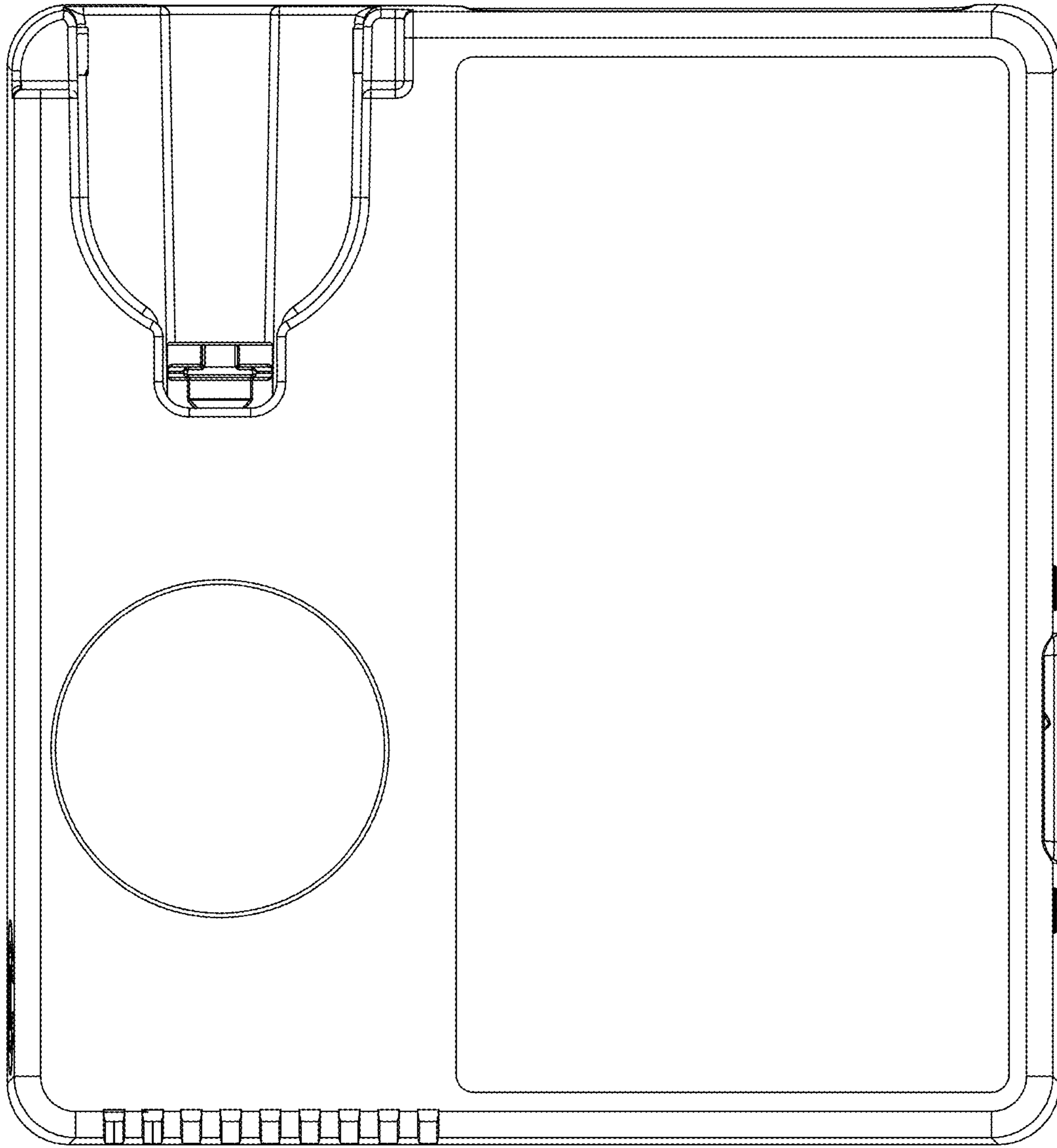


FIG.7

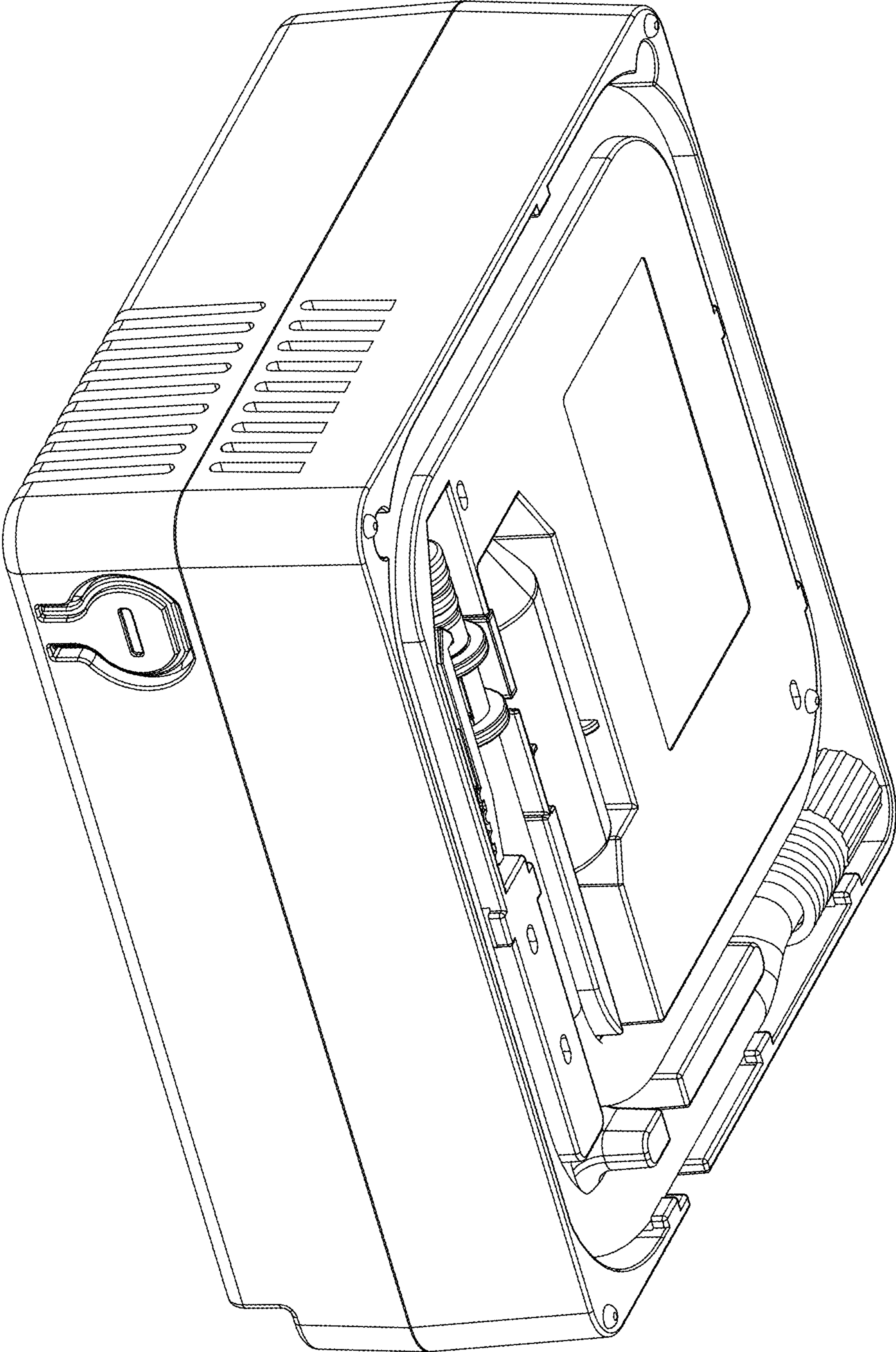


FIG.8

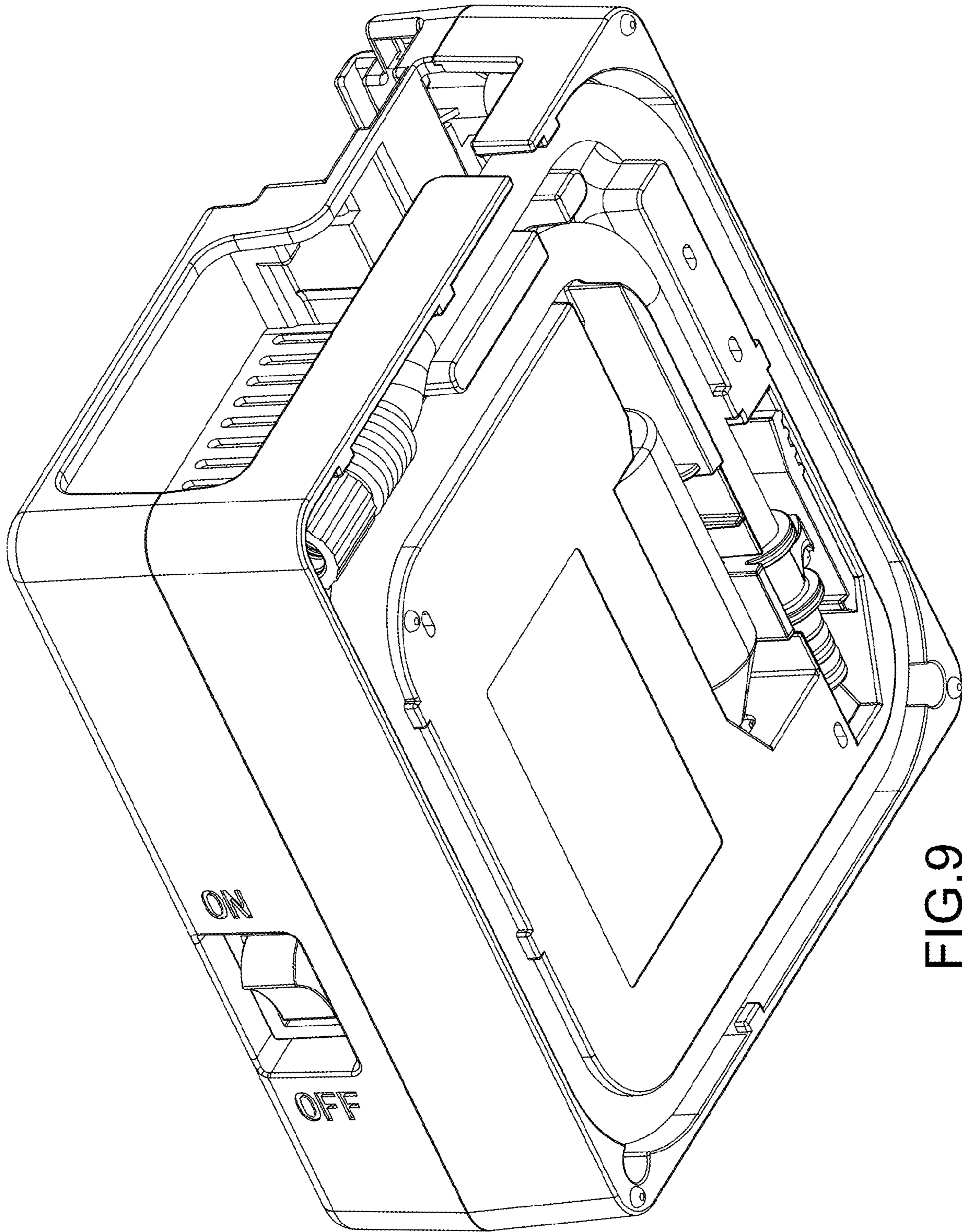


FIG.9