



US00D959497S

(12) **United States Design Patent**  
**Niikura**

(10) **Patent No.:** **US D959,497 S**

(45) **Date of Patent:** **\*\* Aug. 2, 2022**

(54) **EDUCTOR**

(71) Applicant: **Niikura Kogyo Co., Ltd**, Shizuoka (JP)

(72) Inventor: **Futoshi Niikura**, Gotenba (JP)

(\*\*) Term: **15 Years**

(21) Appl. No.: **35/510,960**

(22) Filed: **Nov. 25, 2020**

(80) **Hague Agreement Data**

Int. Filing Date: **Nov. 25, 2020**

Int. Reg. No.: **DM/211628**

Int. Reg. Date: **Nov. 25, 2020**

Int. Reg. Pub. Date: **Dec. 18, 2020**

(30) **Foreign Application Priority Data**

May 25, 2020 (JP) ..... 2020-010235 D

(51) **LOC (13) Cl.** ..... **15-02**

(52) **U.S. Cl.**  
USPC ..... **D15/7**

(58) **Field of Classification Search**

USPC ..... D23/231, 232, 233, 225; D15/7-9;  
D8/396

CPC ... E02F 3/92; E02F 3/9293; E02F 5/00; E02F  
3/9206; E21C 50/00; E02B 3/023

See application file for complete search history.

(56) **References Cited**

**U.S. PATENT DOCUMENTS**

D649,294 S \* 11/2011 Cordani ..... D29/129

D684,662 S \* 6/2013 Cordani ..... D23/223

D734,365 S \* 7/2015 Maholick ..... D15/7

D742,998 S \* 11/2015 Gooden ..... B05B 7/2443

D23/225

D835,754 S \* 12/2018 Caleffi ..... D23/233

\* cited by examiner

*Primary Examiner* — Michael A. Pratt

(74) *Attorney, Agent, or Firm* — Hamre, Schumann,  
Mueller & Larson, P.C.

(57) **CLAIM**

The ornamental design for an eductor, as shown and described.

**DESCRIPTION**

1. Eductor

1.1 : Front

1.2 : Right

1.3 : Left

1.4 : Top

1.5 : Bottom

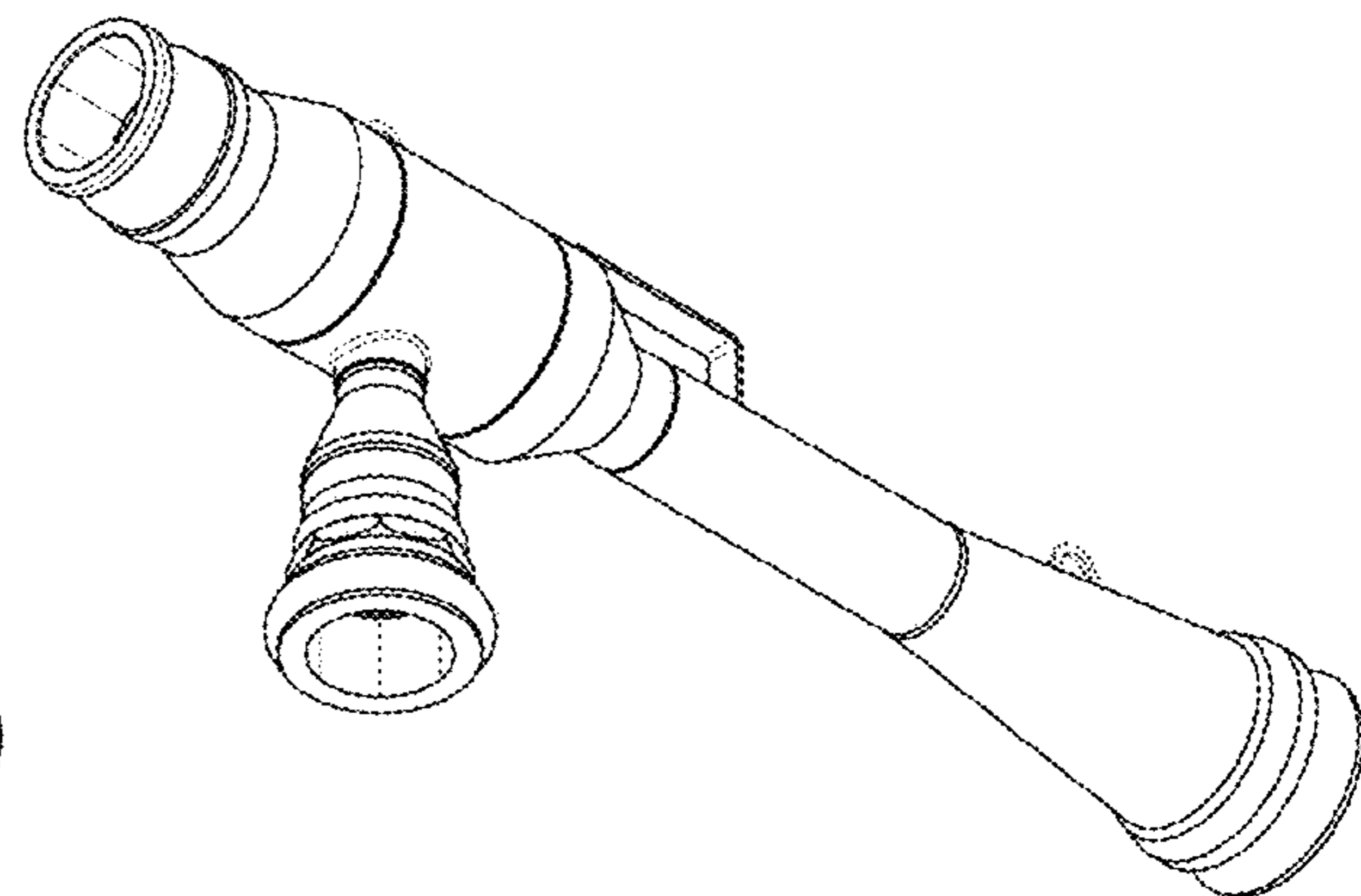
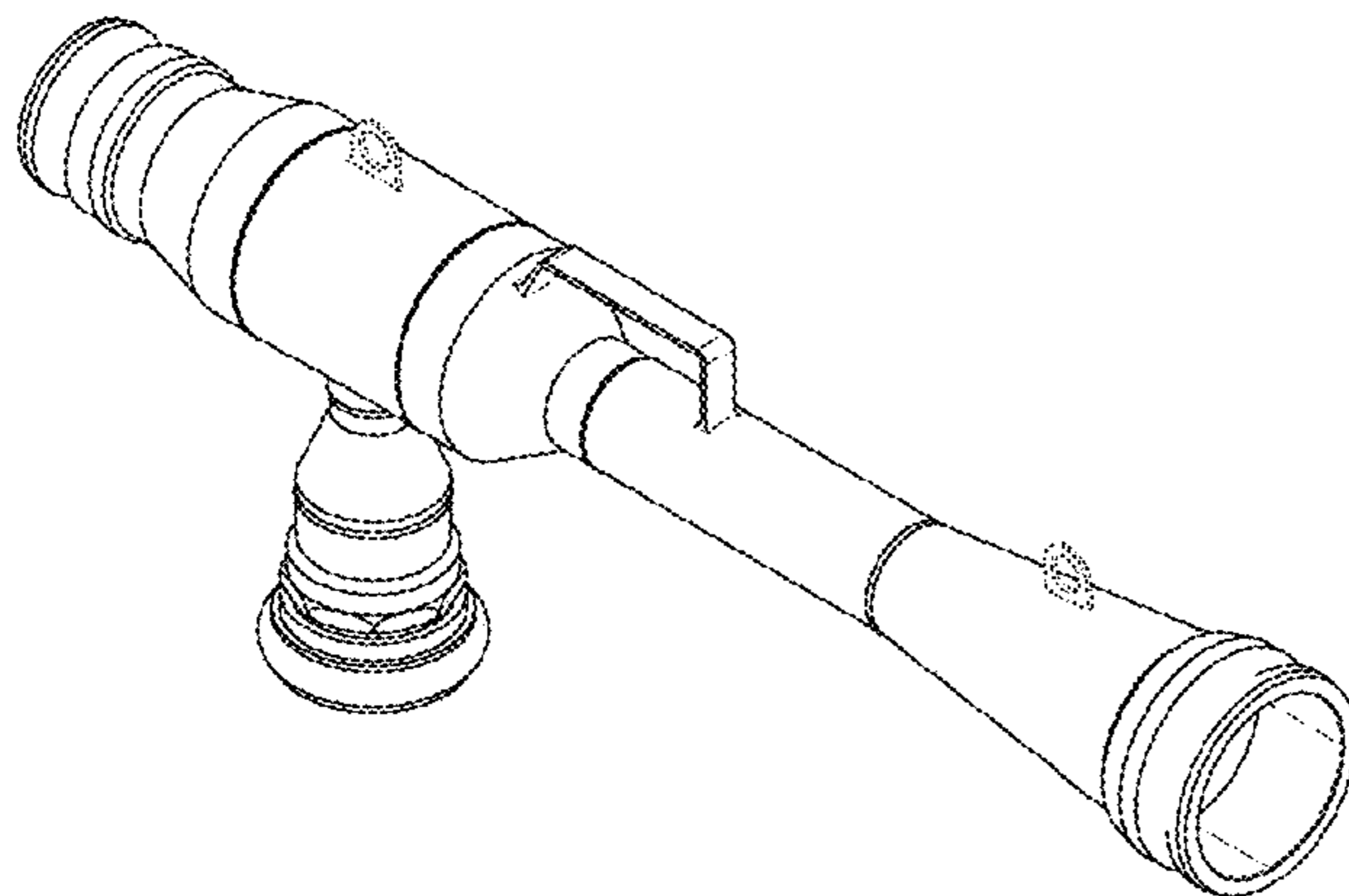
1.6 : Reference view

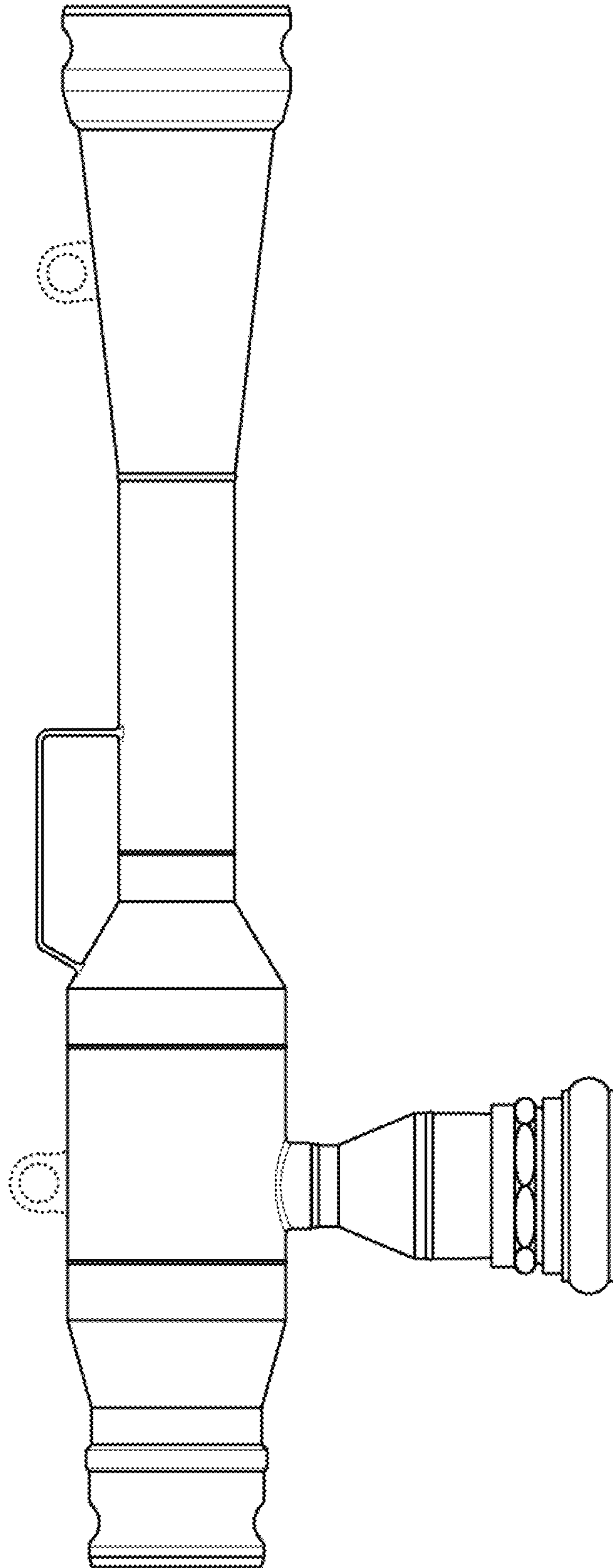
1.7 : Reference view

This article is an eductor for pumping up water using Bernoulli's principle; the back view is omitted as it is symmetrical to reproduction 1.1 (the front view); thin lines shown in the drawings are intended to represent the three-dimensional contour of the design and are not intended to indicate surface decoration.

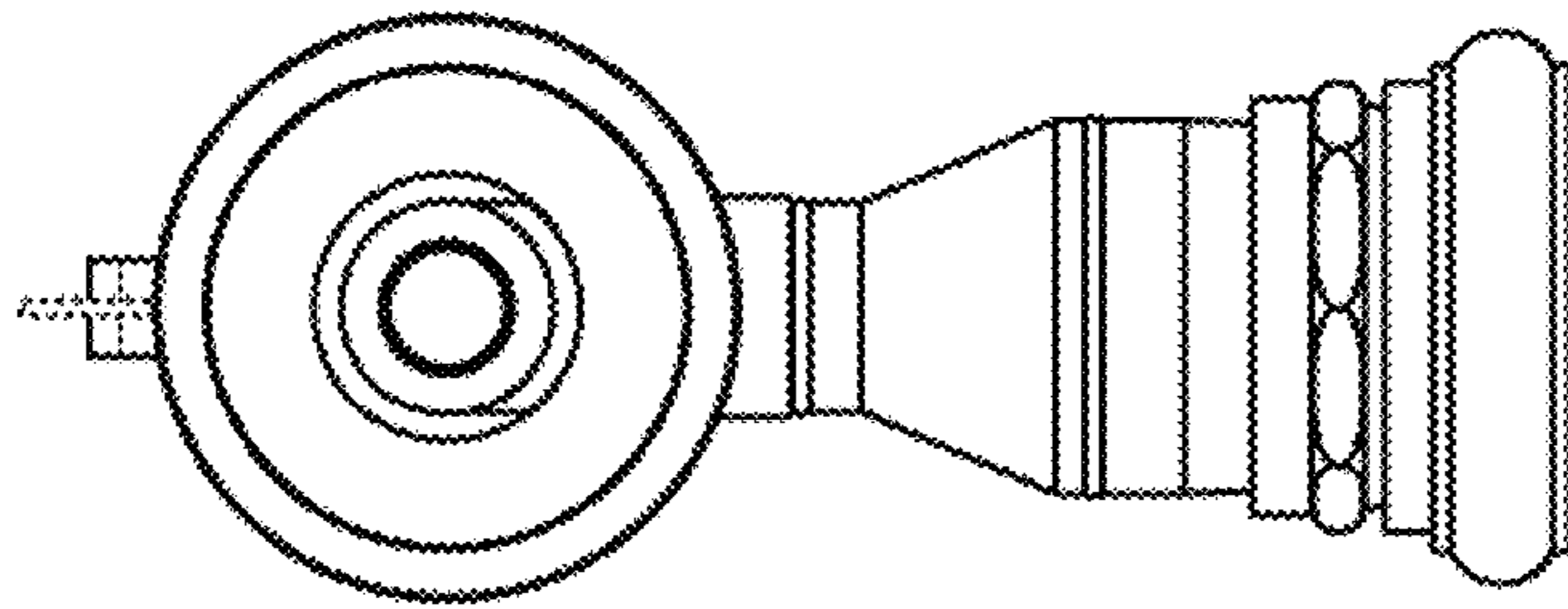
The broken line showing of tabs is included for the purpose of illustrating portions of the eductor that forms no part of the claimed design.

**1 Claim, 7 Drawing Sheets**

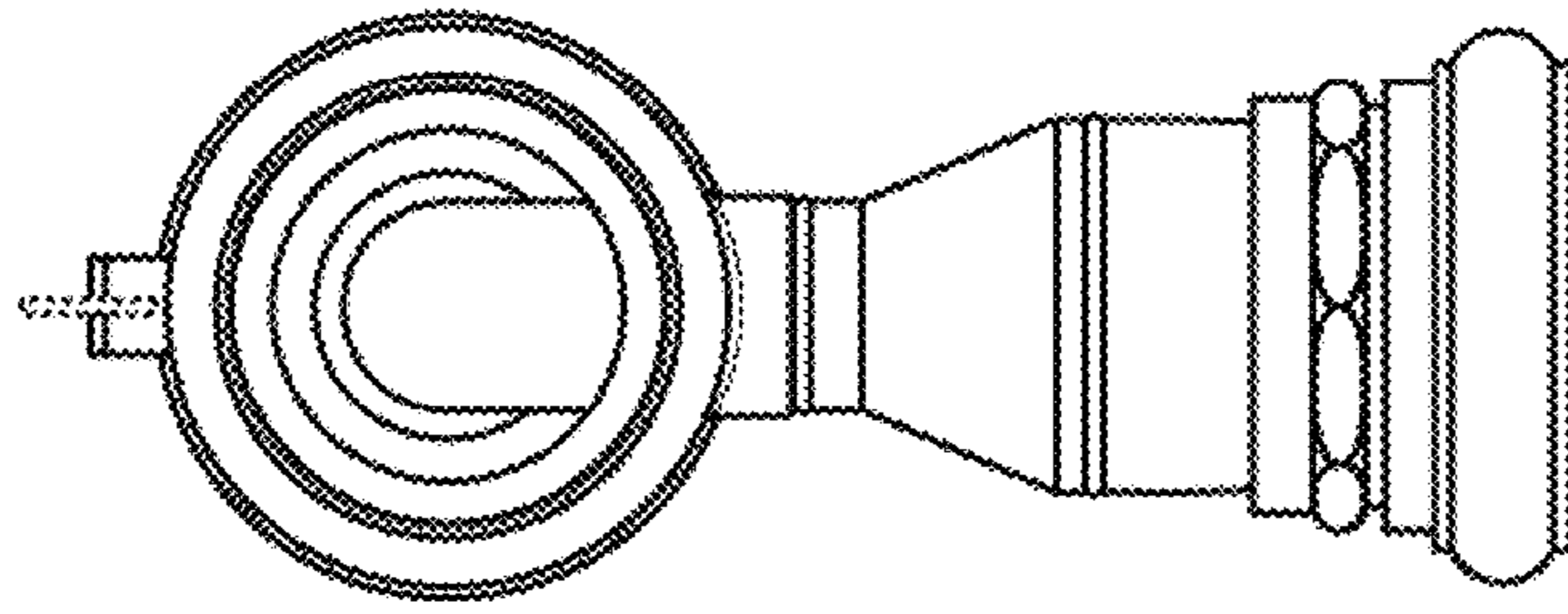




1.1

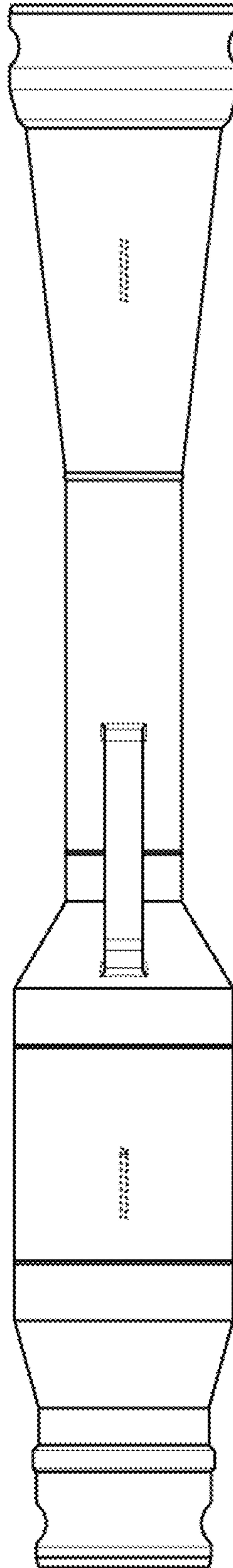


1.2

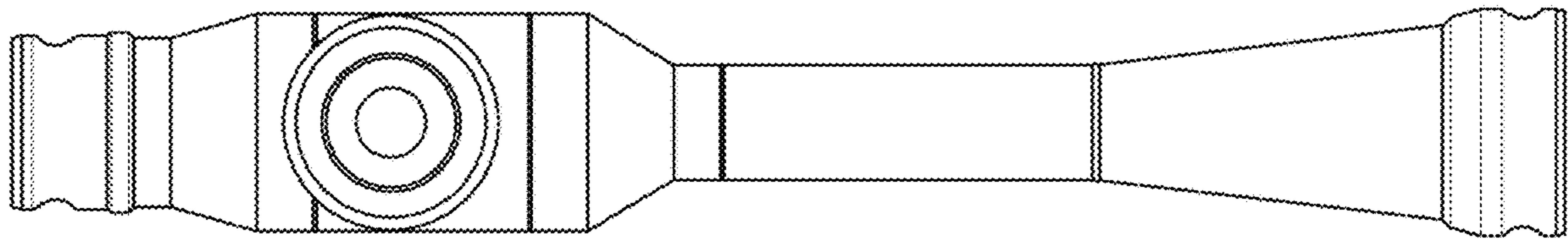


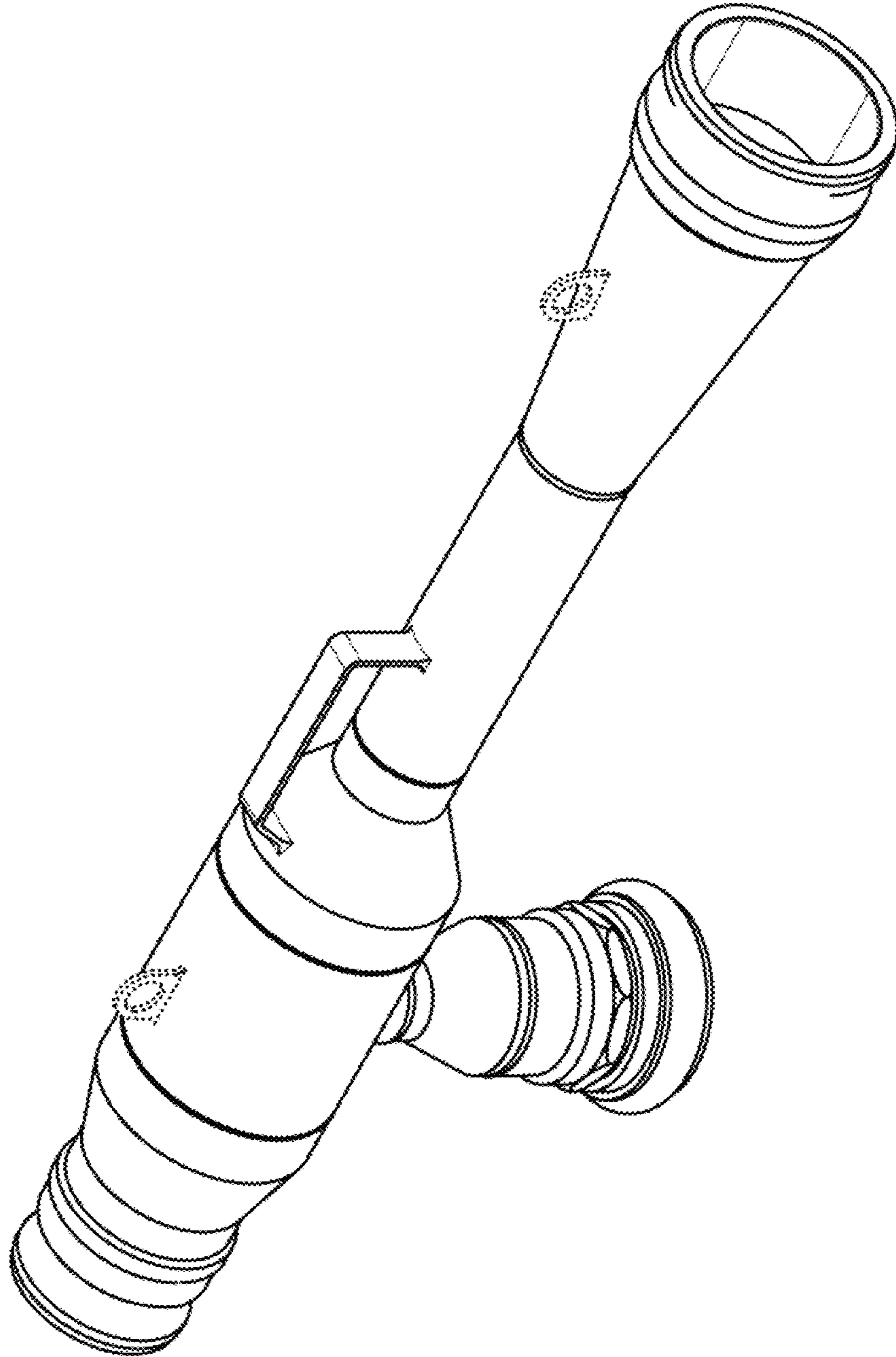
1.3

1.4

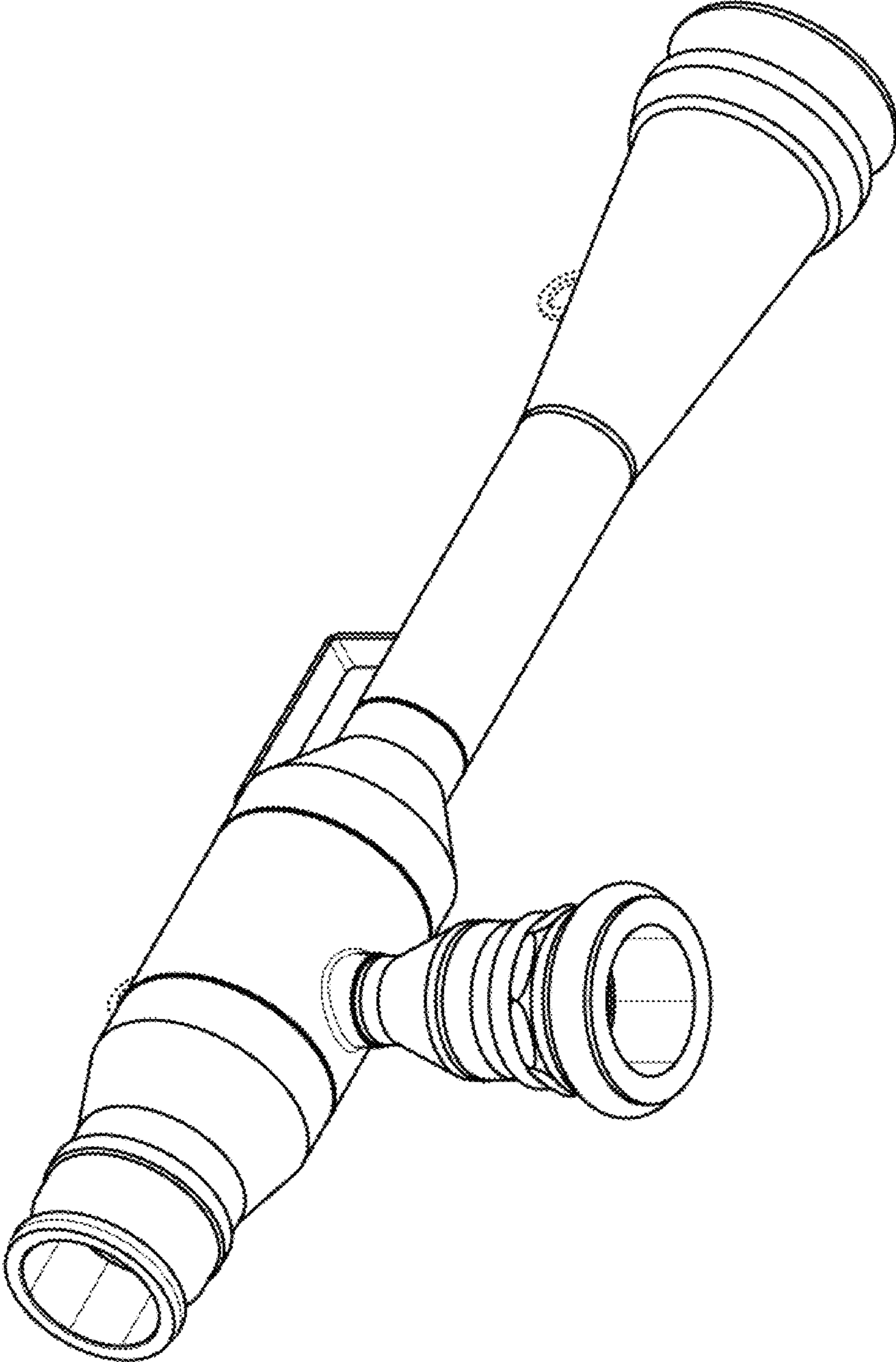


1.5





1.6



1.7