



US00D959495S

(12) **United States Design Patent** (10) **Patent No.:** **US D959,495 S**
Tanaka et al. (45) **Date of Patent:** **** Aug. 2, 2022**

(54) **IMPELLER FOR PUMP**

(71) Applicant: **Tsurumi Manufacturing Co., Ltd.**,
Osaka (JP)

(72) Inventors: **Hiroyuki Tanaka**, Osaka (JP); **Ryo Yamasaki**, Kochi (JP)

(**) Term: **15 Years**

(21) Appl. No.: **29/790,999**

(22) Filed: **Dec. 23, 2021**

Related U.S. Application Data

(62) Division of application No. 35/509,903, filed on Jun. 24, 2020 (U.S. filing date under 35 U.S.C. 384), and having an international filing date of Jun. 24, 2020.

(51) **LOC (13) Cl.** **15-02**

(52) **U.S. Cl.**
USPC **D15/7**
CPC **F04D 7/04** (2013.01)

(58) **Field of Classification Search**
USPC D15/7-9; D23/225, 231, 232; 417/60, 417/235, 265, 321, 355, 358, 363, 359, 417/410.1, 415-416, 405, 900, 269, 539; 60/408, 412; 184/26-37; 415/140-147; 123/595, 509; 137/565.34
CPC F04D 7/04; F04D 29/708; F02M 37/04; F02M 37/14; F04B 53/92; F04B 1/005
See application file for complete search history.

(56) **References Cited**

U.S. PATENT DOCUMENTS

D268,112 S * 3/1983 Sugiura D15/7
D382,881 S * 8/1997 Hoglund D15/7

D583,391 S * 12/2008 Metcalfe D15/7
D586,826 S * 2/2009 Cantrill D15/7
D606,564 S * 12/2009 Nishi D15/7
D607,472 S * 1/2010 Nishi D15/7
D617,815 S * 6/2010 Tarui D15/7
D694,266 S * 11/2013 Haddad D15/7
D762,841 S * 8/2016 Wilkins D15/7
D791,841 S * 7/2017 Obuchi D15/7
D810,787 S * 2/2018 Cinotti D15/7
D810,788 S * 2/2018 Cinotti D15/7
D810,789 S * 2/2018 Cinotti D15/7
D828,400 S * 9/2018 Cinotti D15/7
D940,760 S * 1/2022 Arribau D15/7

* cited by examiner

Primary Examiner — Richard E Chilcot

(74) *Attorney, Agent, or Firm* — Marin Cionca; CIONCA IP Law P.C.

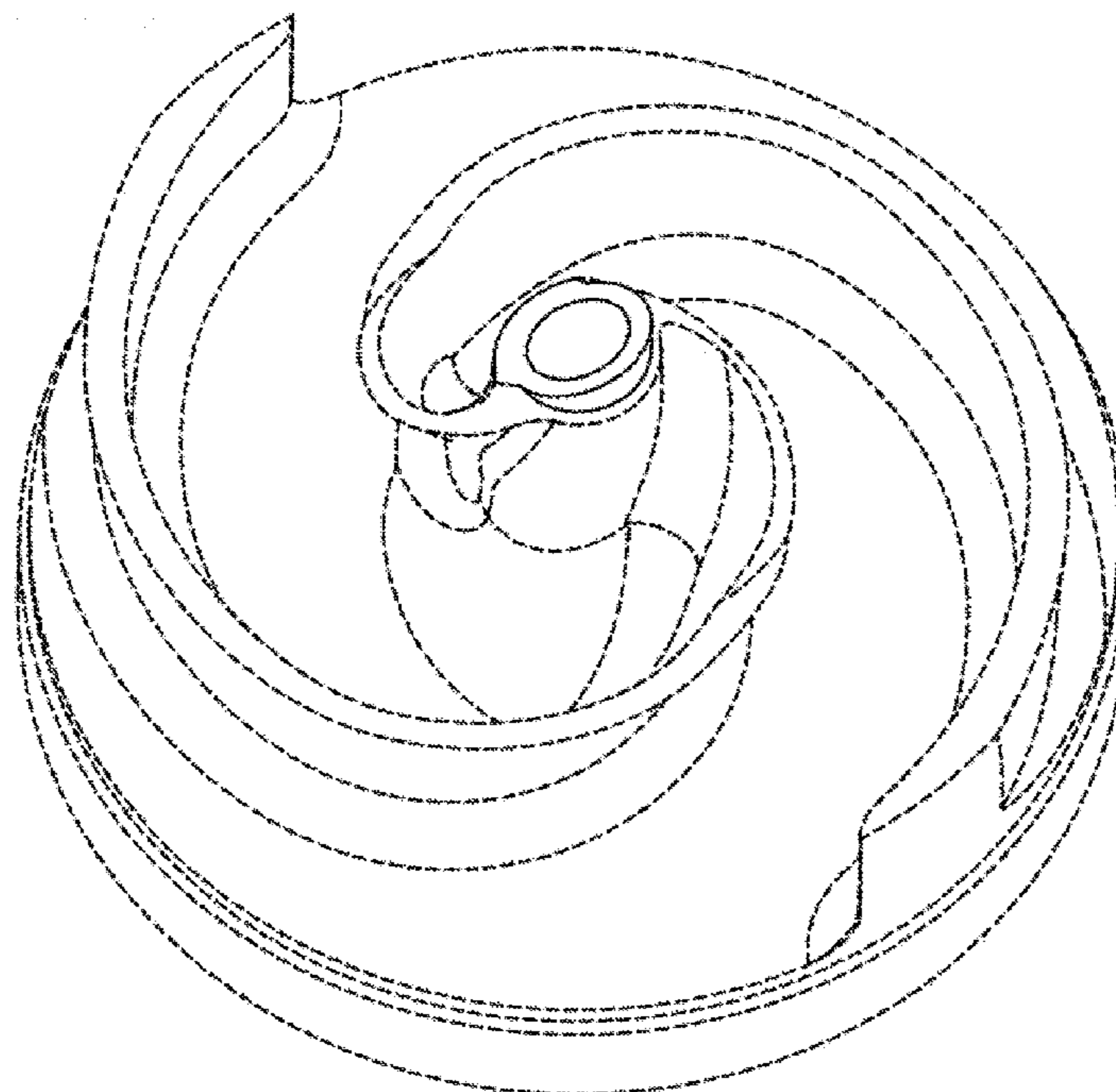
(57) **CLAIM**

The ornamental design for an impeller for pump, as shown and described.

DESCRIPTION

FIG. 1 is a perspective view of an impeller for pump showing the new design;
FIG. 2 is another perspective view thereof;
FIG. 3 is a bottom plan view thereof;
FIG. 4 is front elevation view thereof;
FIG. 5 is a rear elevation view thereof;
FIG. 6 is a left side elevation view thereof; and,
FIG. 7 is a right side elevation view thereof.
The broken lines and unshaded surfaces bounded by broken lines form no part of the claimed design.

1 Claim, 7 Drawing Sheets



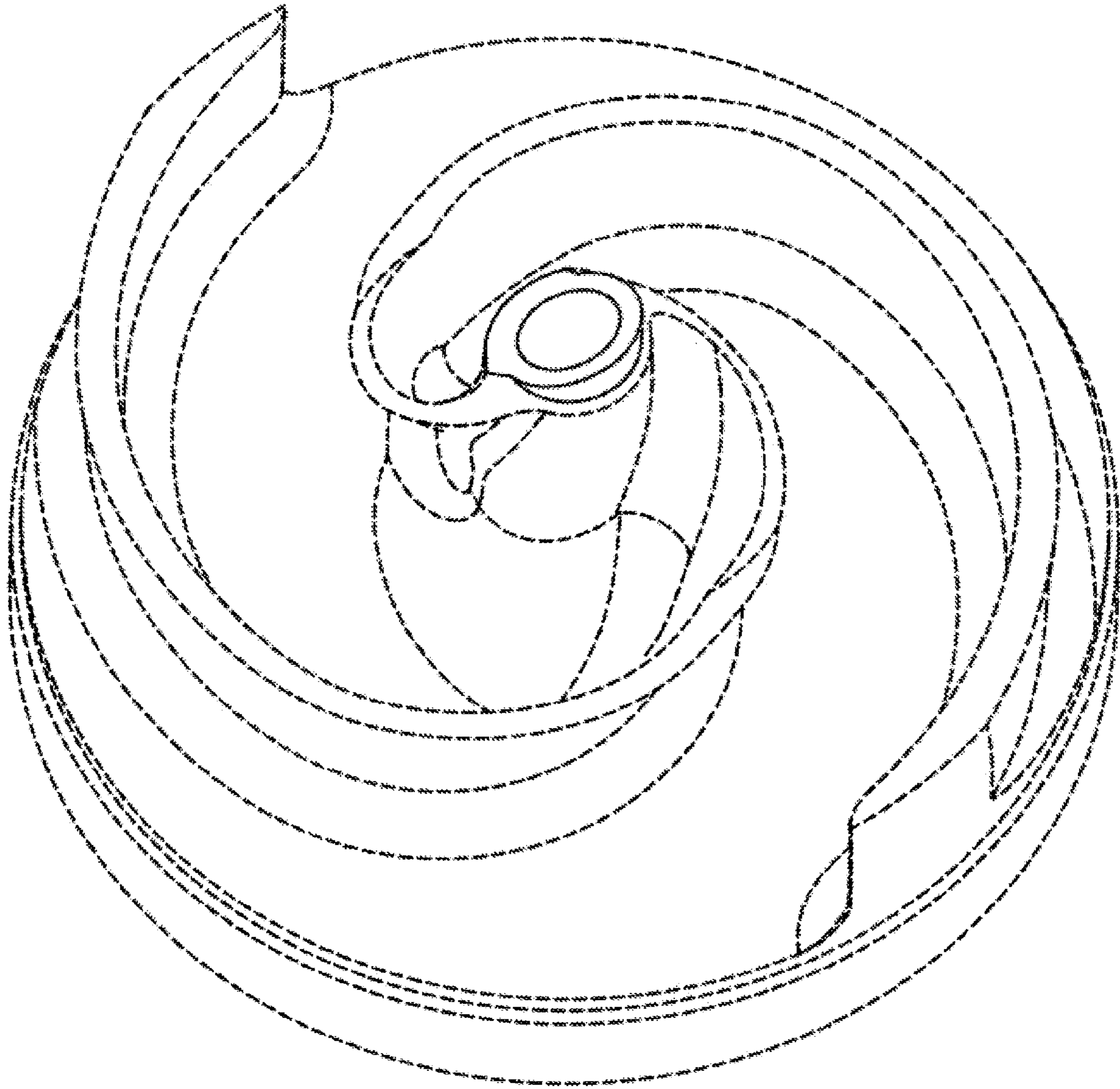


FIG. 1

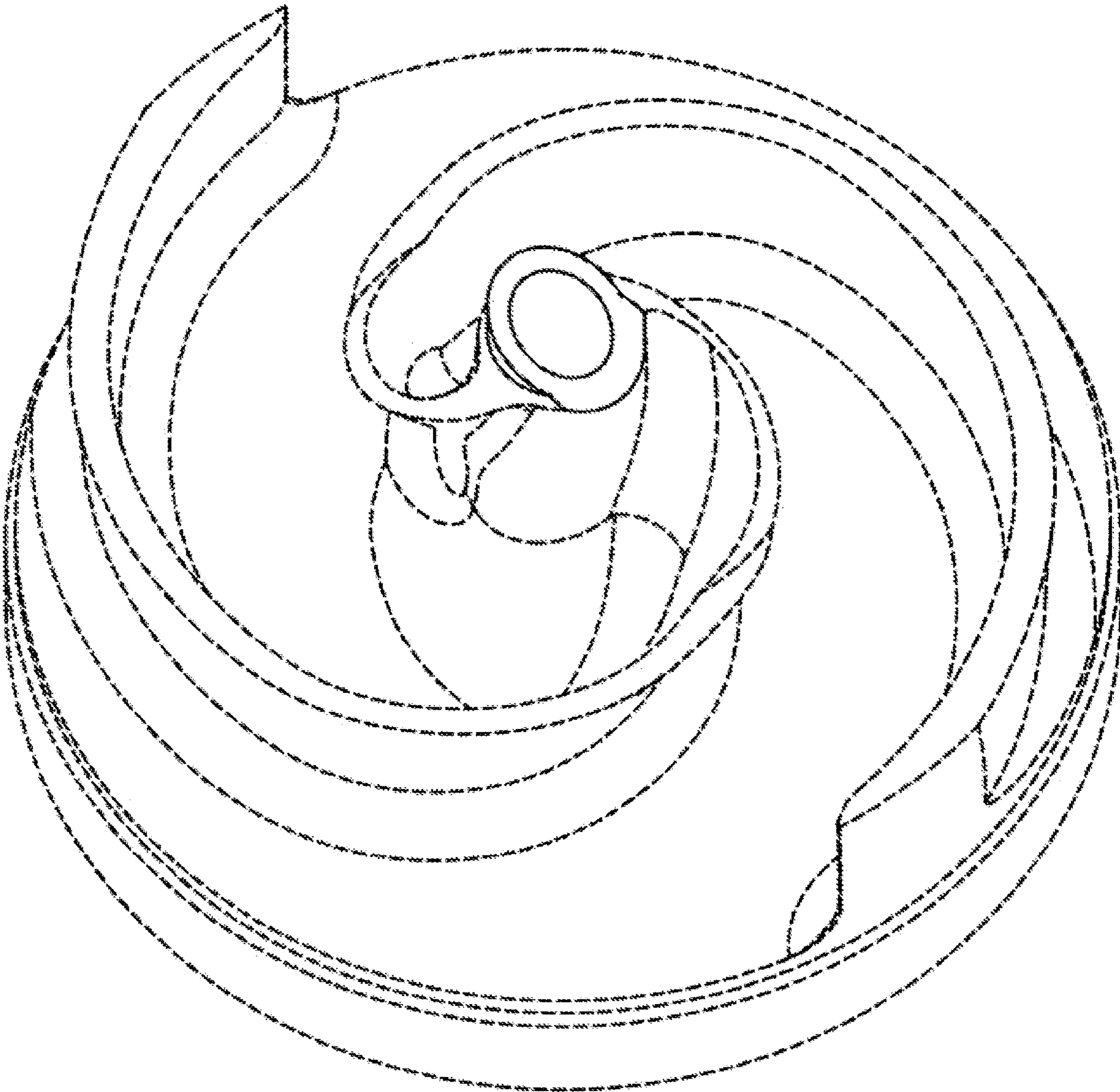


FIG. 2

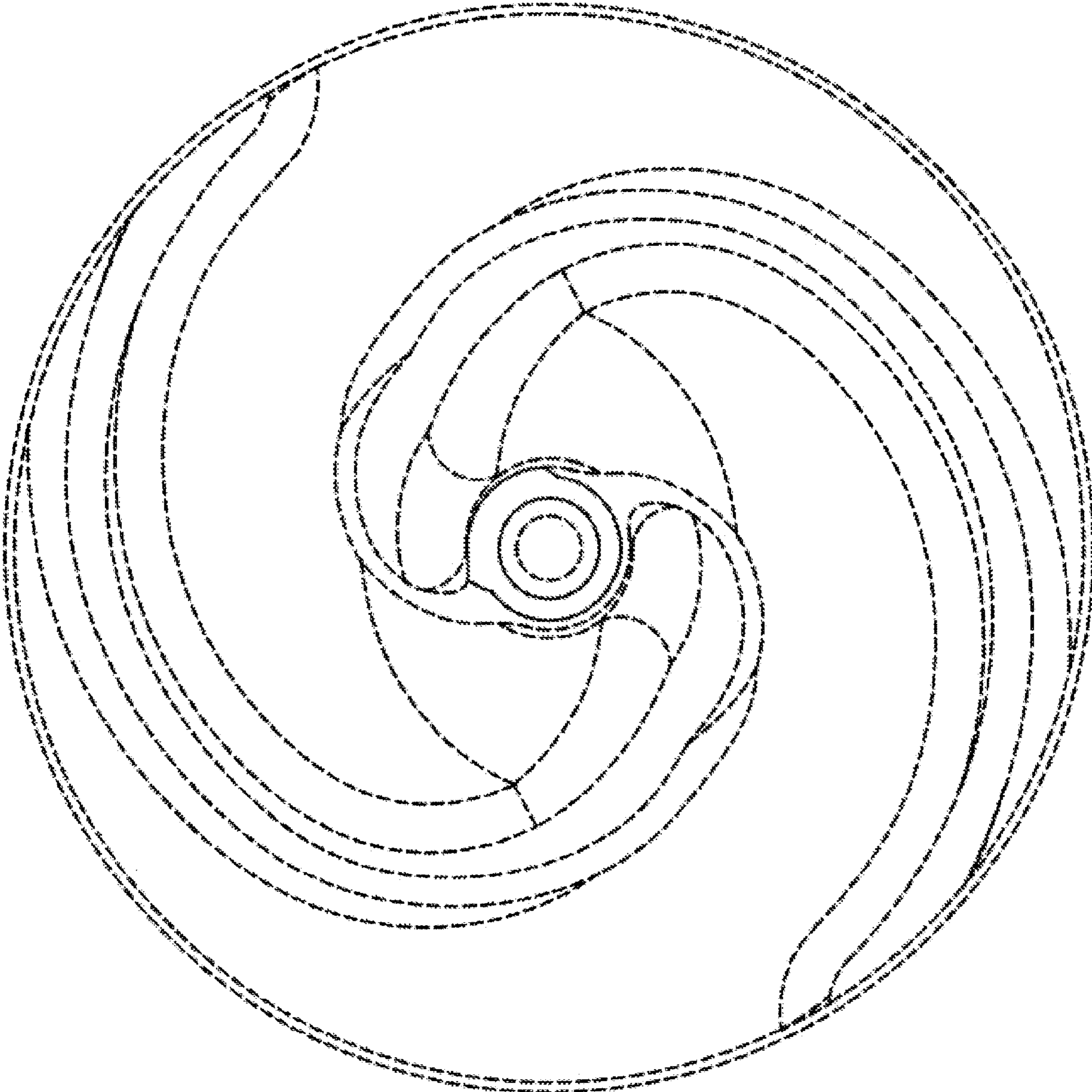


FIG. 3

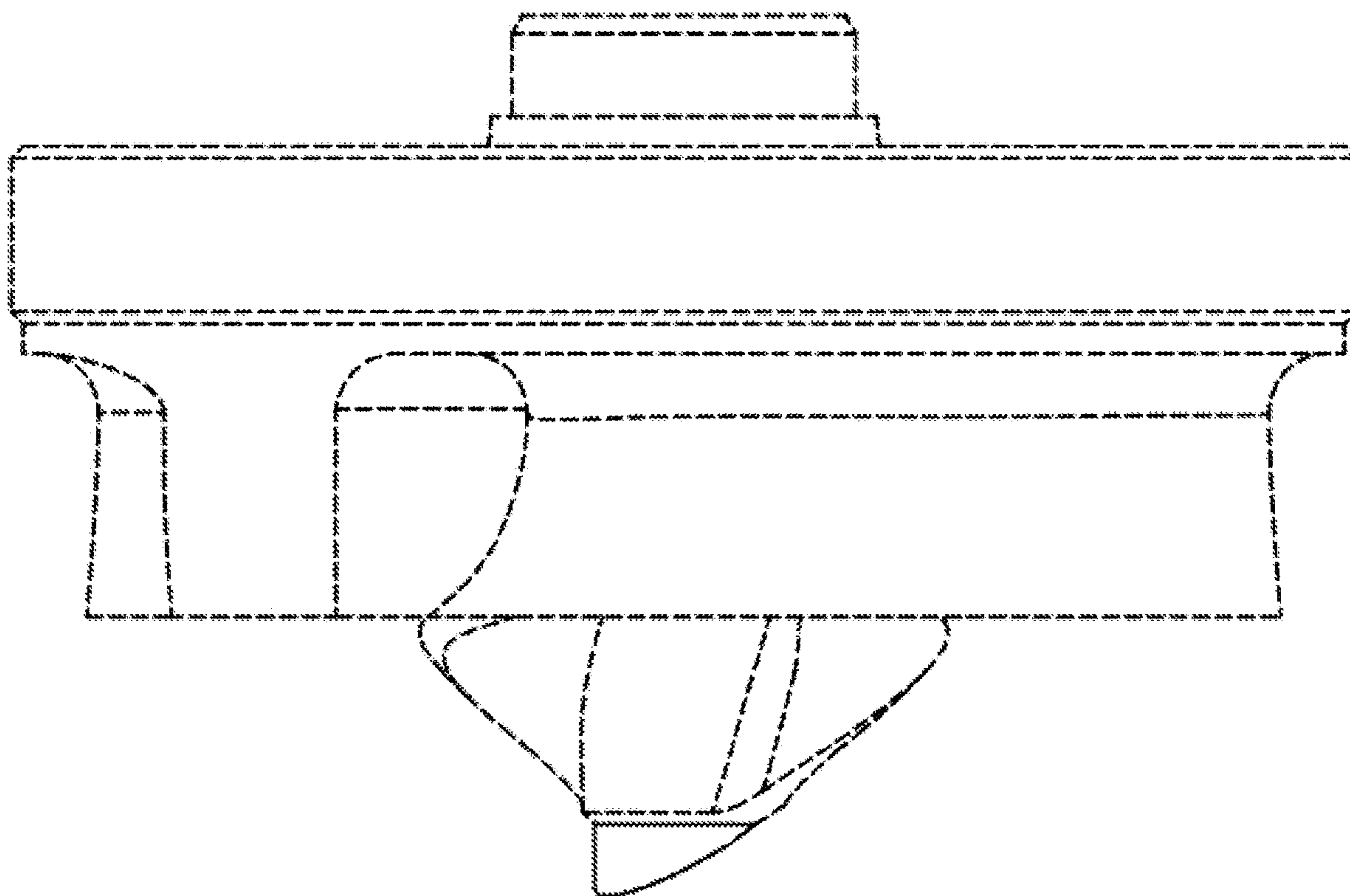


FIG. 4

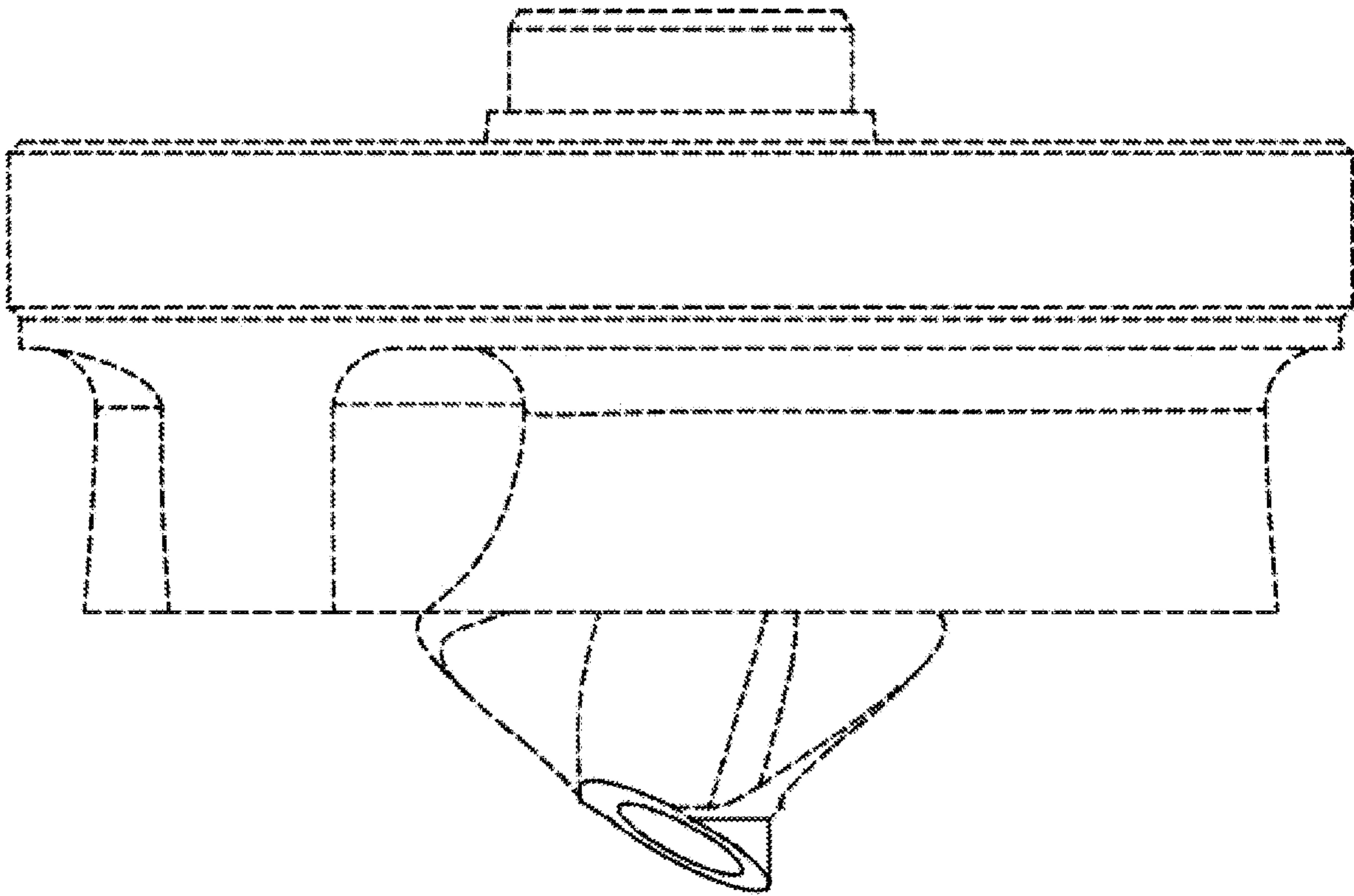


FIG. 5

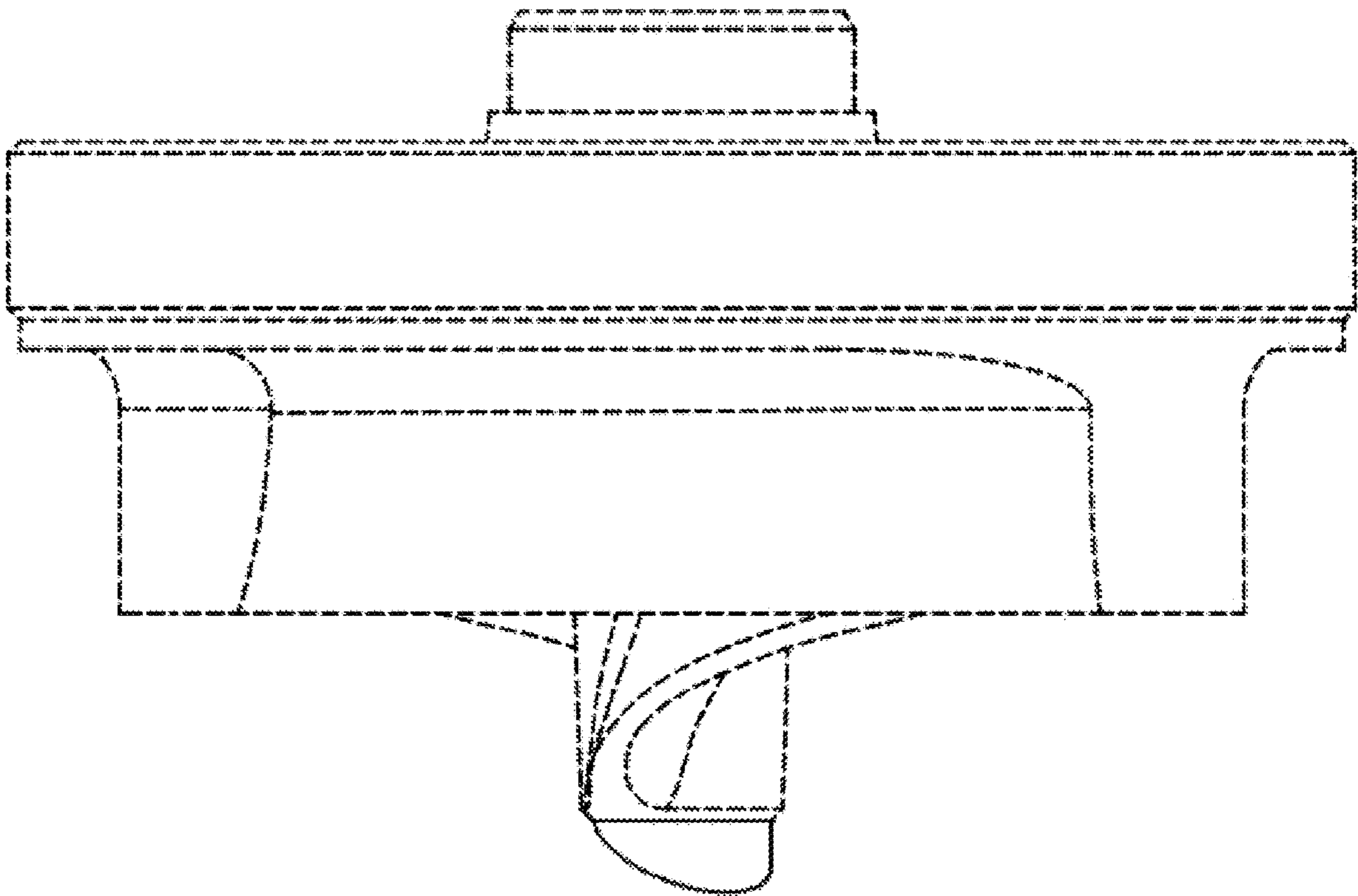


FIG. 6

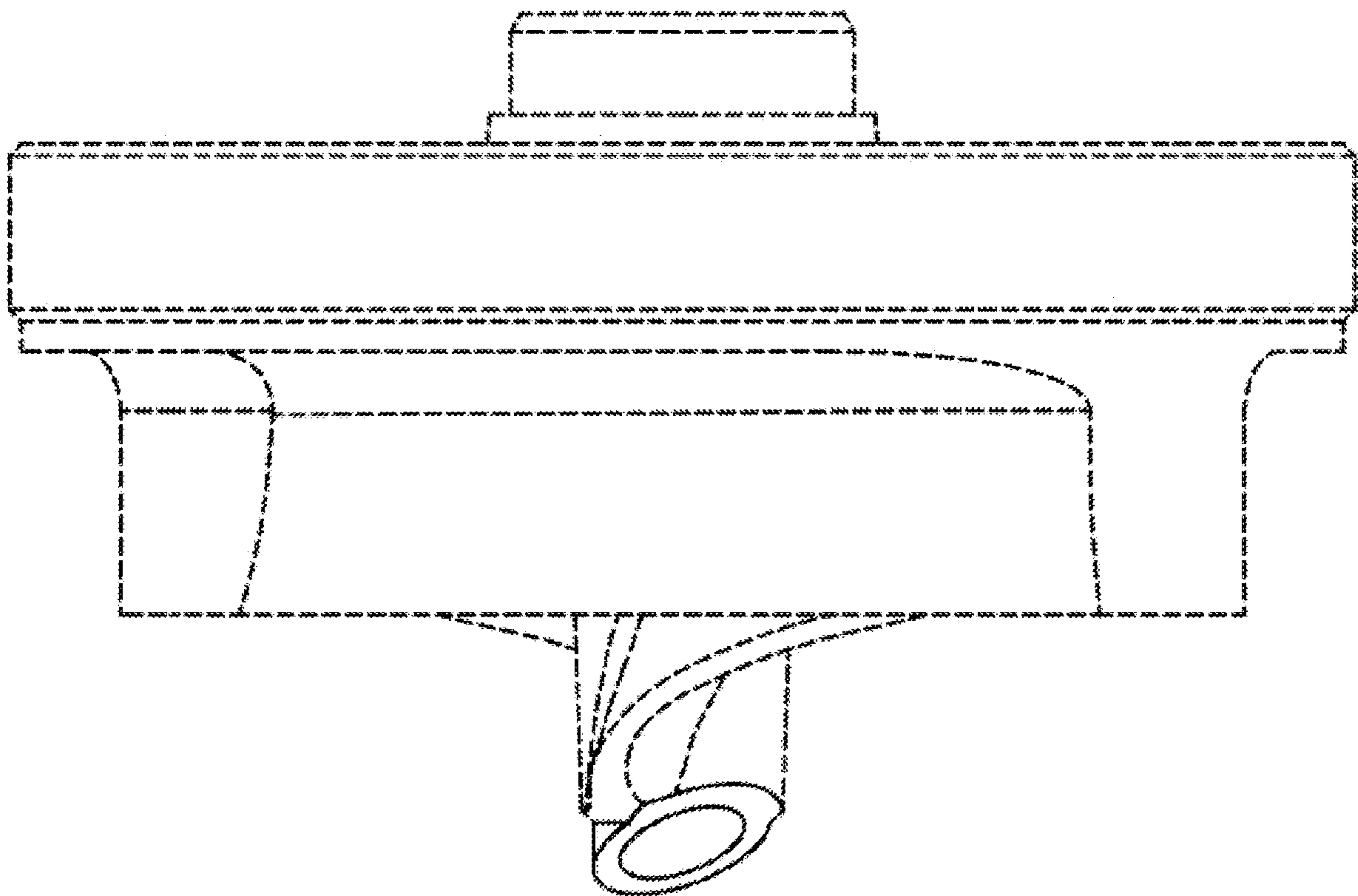


FIG. 7